



US00D871915S

(12) **United States Design Patent**
Billen

(10) **Patent No.:** **US D871,915 S**

(45) **Date of Patent:** **** Jan. 7, 2020**

- (54) **HIPPOPOTAMUS ANIMAL TRAY**
- (71) Applicant: **Kid Stuff Marketing, Inc.**, Topeka, KS (US)
- (72) Inventor: **William D. Billen**, Topeka, KS (US)
- (73) Assignee: **Kid Stuff Marketing, Inc.**, Topeka, KS (US)
- (**) Term: **15 Years**
- (21) Appl. No.: **29/655,762**

3,861,279 A *	1/1975	Maling	A63H 33/16
				493/343
D270,812 S *	10/1983	Fontlladosa	D9/607
4,925,429 A *	5/1990	Kaulfuss	A63H 33/00
				446/487
D367,422 S *	2/1996	Chuang	D9/607
D403,812 S *	1/1999	Frankel	D21/576
D598,963 S *	8/2009	Liu	D21/576
D607,281 S *	1/2010	Meyers	D9/433
D687,319 S *	8/2013	Panetta	D9/601
D726,510 S *	4/2015	Bowen	D7/625
D731,000 S *	6/2015	Phillips	D21/576
D731,320 S *	6/2015	Faye	D9/602
9,289,695 B2 *	3/2016	Sadri	A63H 33/08
D769,379 S *	10/2016	Billen	D9/610

- (22) Filed: **Jul. 6, 2018**
- (51) **LOC (12) Cl.** **09-01**
- (52) **U.S. Cl.**
USPC **D9/607; D9/433**
- (58) **Field of Classification Search**
USPC D3/270, 271.1–271.4; D9/600–612,
D9/414–434; 206/457, 459.5, 527;
215/381–384, 400; 229/116.1, 150, 153;
D7/514–519, 594, 599, 604, 613, 623,
D7/625, 628; D21/576
CPC B65D 5/42; B65D 5/4208; B65D 5/4258;
B65D 81/30; B65D 81/60; B65D 81/365;
B65D 81/366; B65D 81/368; B65D
2203/00; B65D 2203/02; B65D 67/00;
B65D 5/75; B65D 71/16; B65D 71/20;
A63H 81/16; A63H 3/08
See application file for complete search history.

* cited by examiner

Primary Examiner — Sandra L Morris
(74) *Attorney, Agent, or Firm* — Erickson Kernell IP, LLC

(57) **CLAIM**

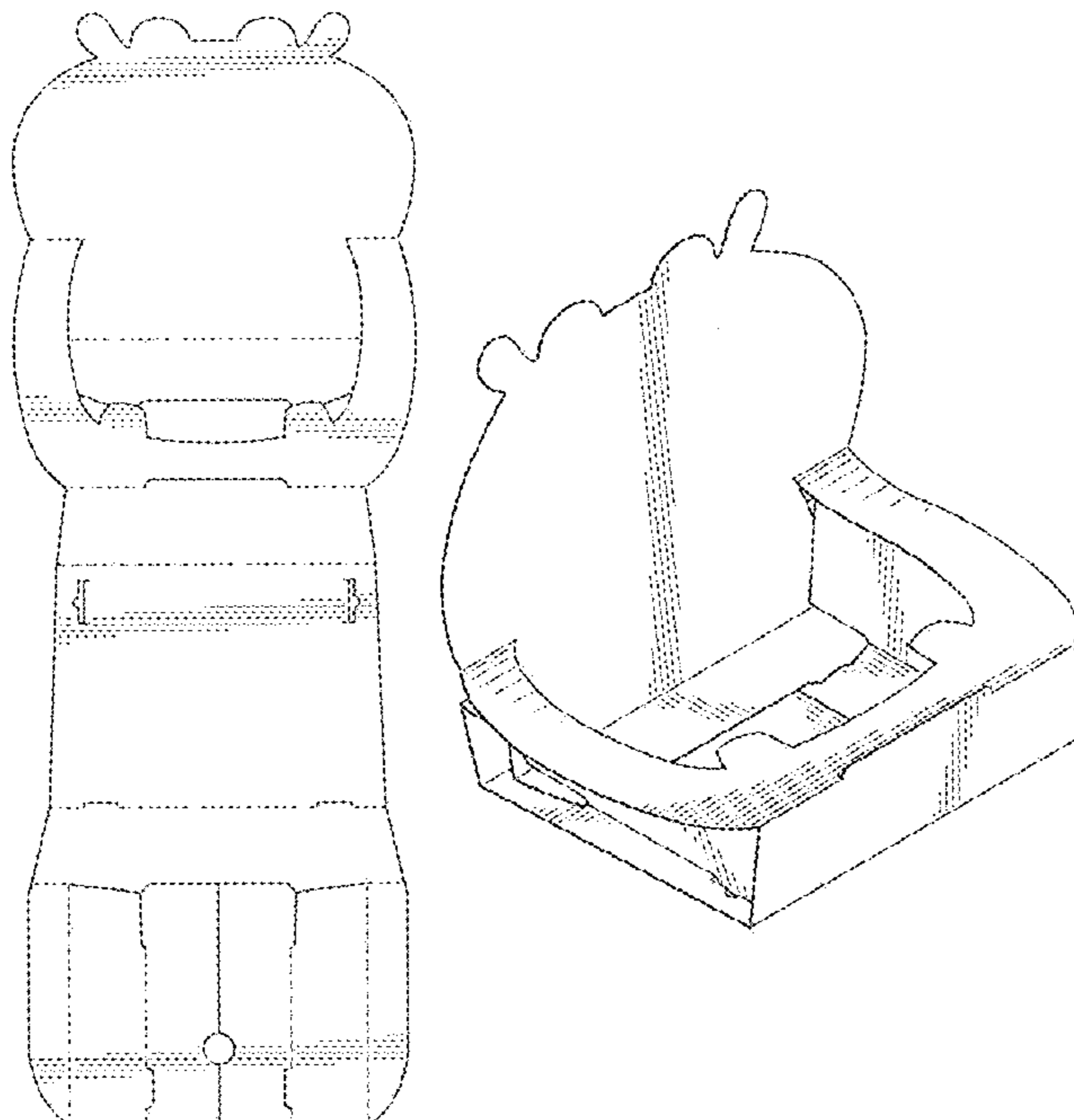
The ornamental design for a hippopotamus animal tray, as shown and described.

DESCRIPTION

FIG. 1 is a flat unfolded view of an ornament design for a hippopotamus animal tray;
FIG. 2 is a front assembled view thereof;
FIG. 3 is a back assembled view thereof;
FIG. 4 is a top assembled view thereof;
FIG. 5 is a bottom side assembled view thereof;
FIG. 6 is a left side assembled view thereof;
FIG. 7 is a right side assembled view thereof;
FIG. 8 is a perspective assembled view thereof; and,
FIG. 9 is a rear perspective assembled view thereof.
The broken lines in FIG. 1 depict fold lines.

- (56) **References Cited**
U.S. PATENT DOCUMENTS
D178,931 S * 10/1956 Perkins A63H 33/16
D9/603
D216,139 S * 11/1969 Tavela D21/576

1 Claim, 6 Drawing Sheets



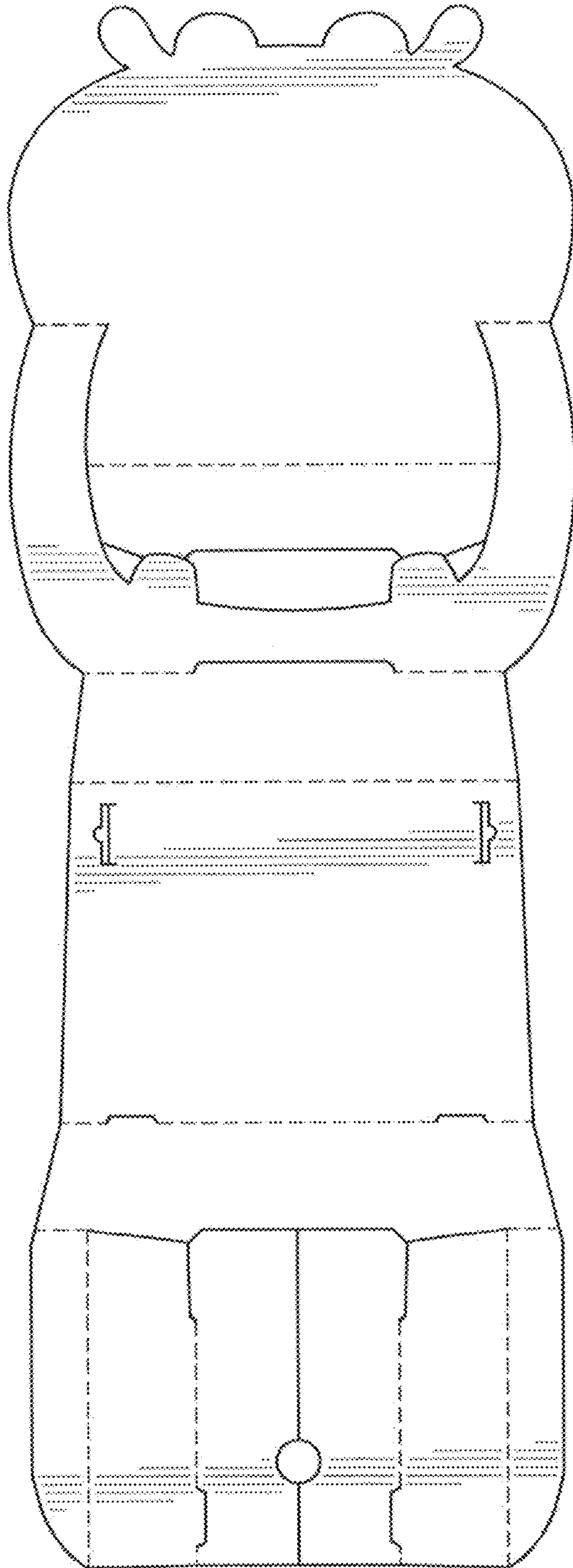


Fig. 1

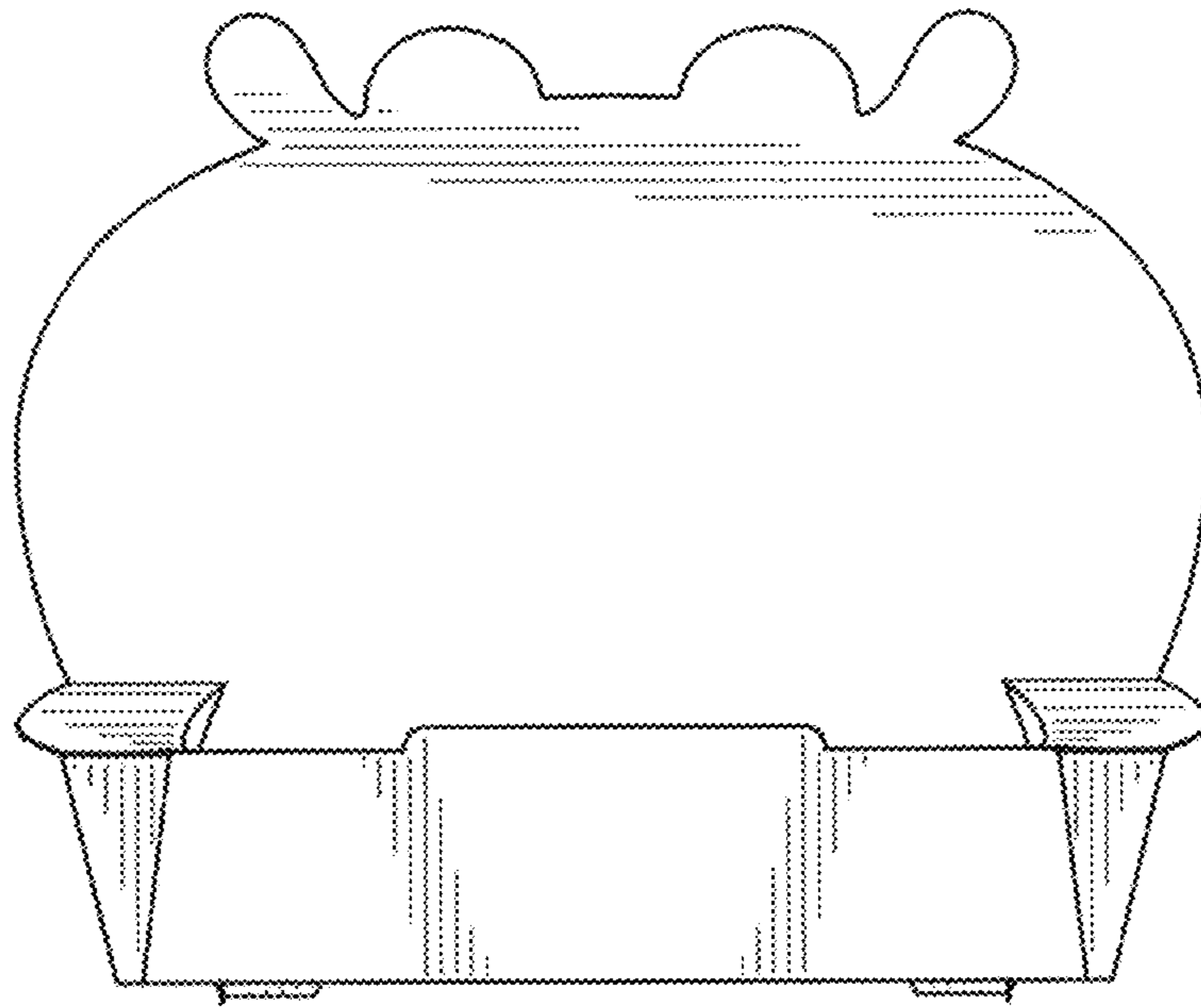


Fig. 2

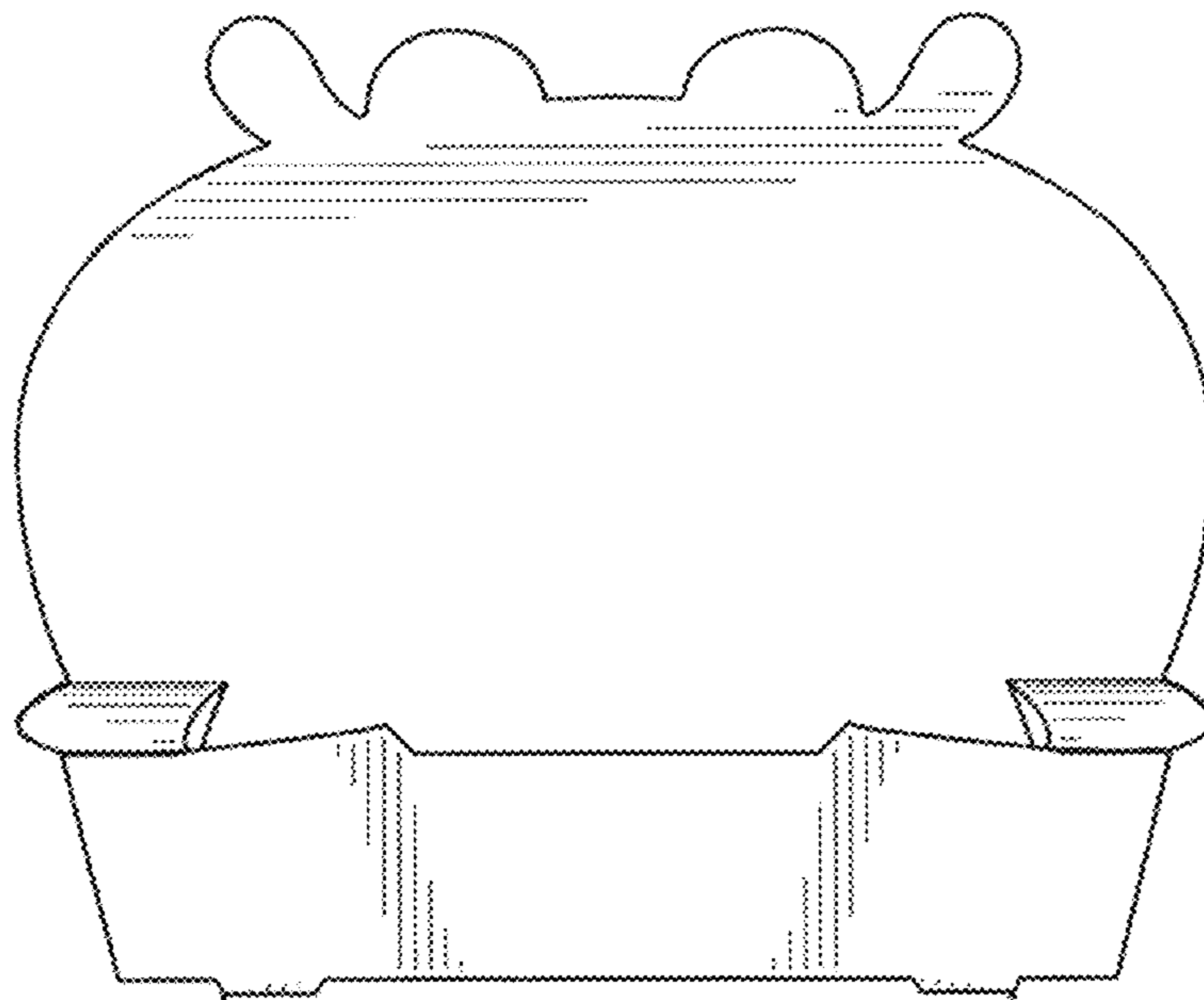


Fig. 3

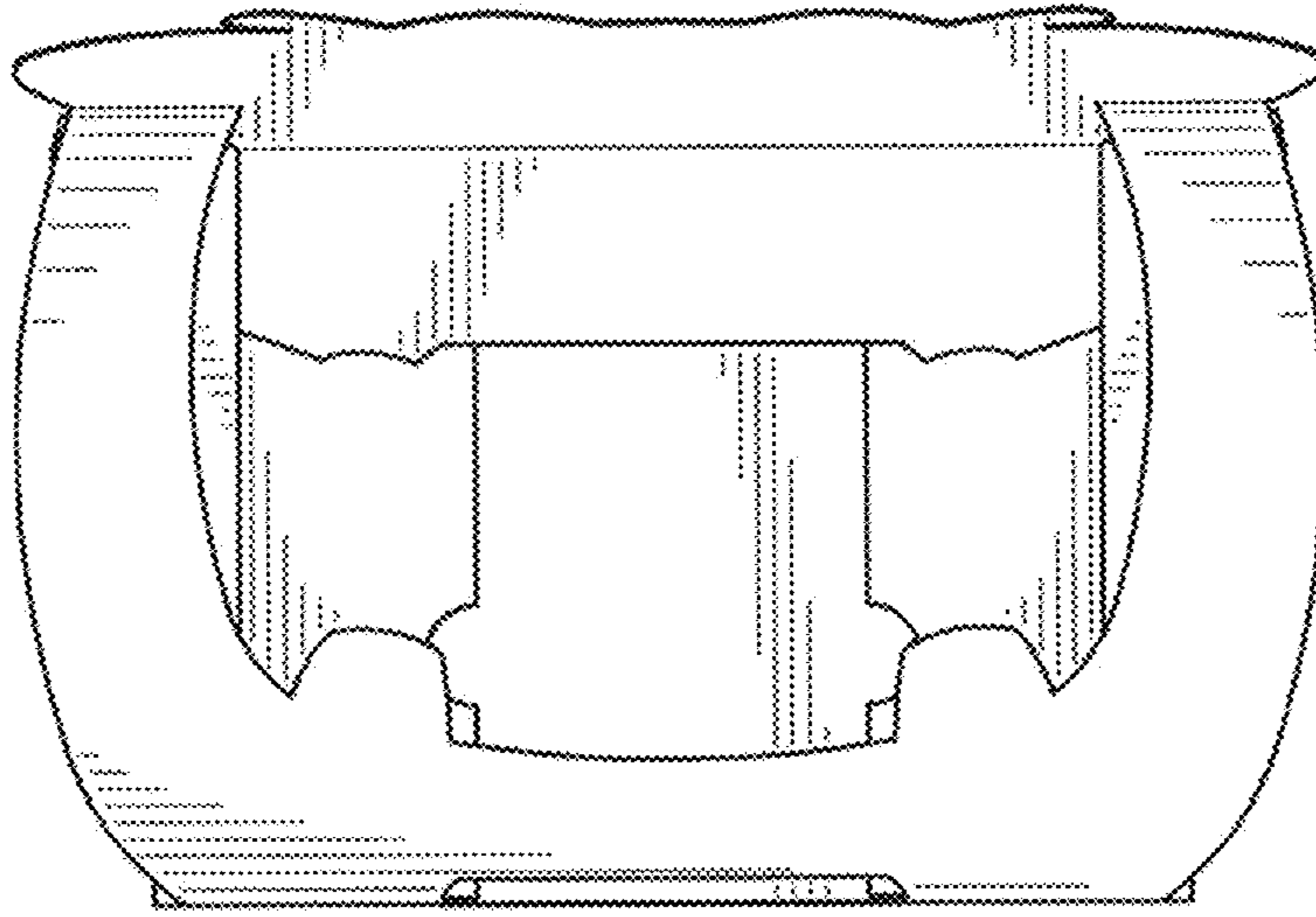


Fig. 4

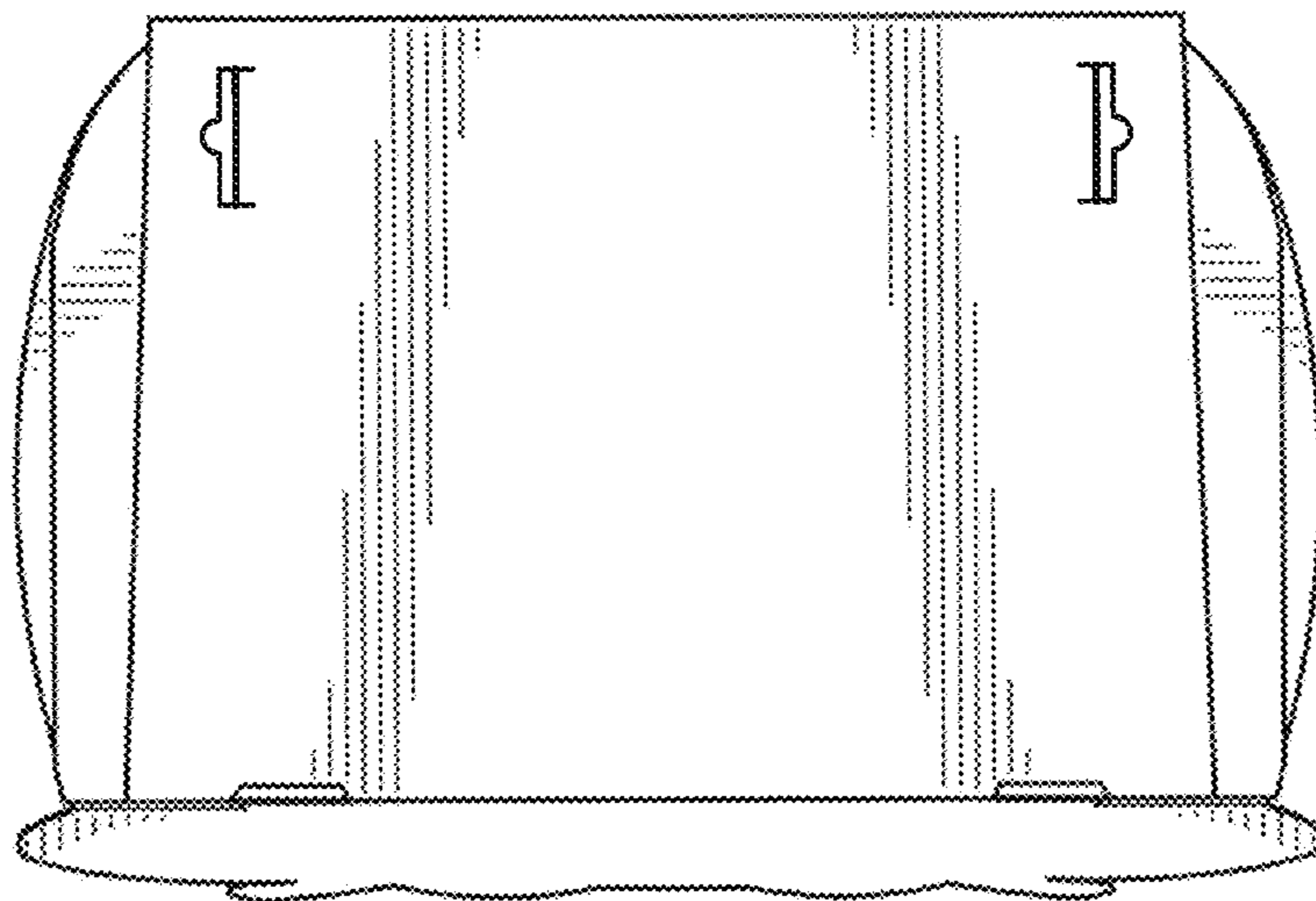


Fig. 5

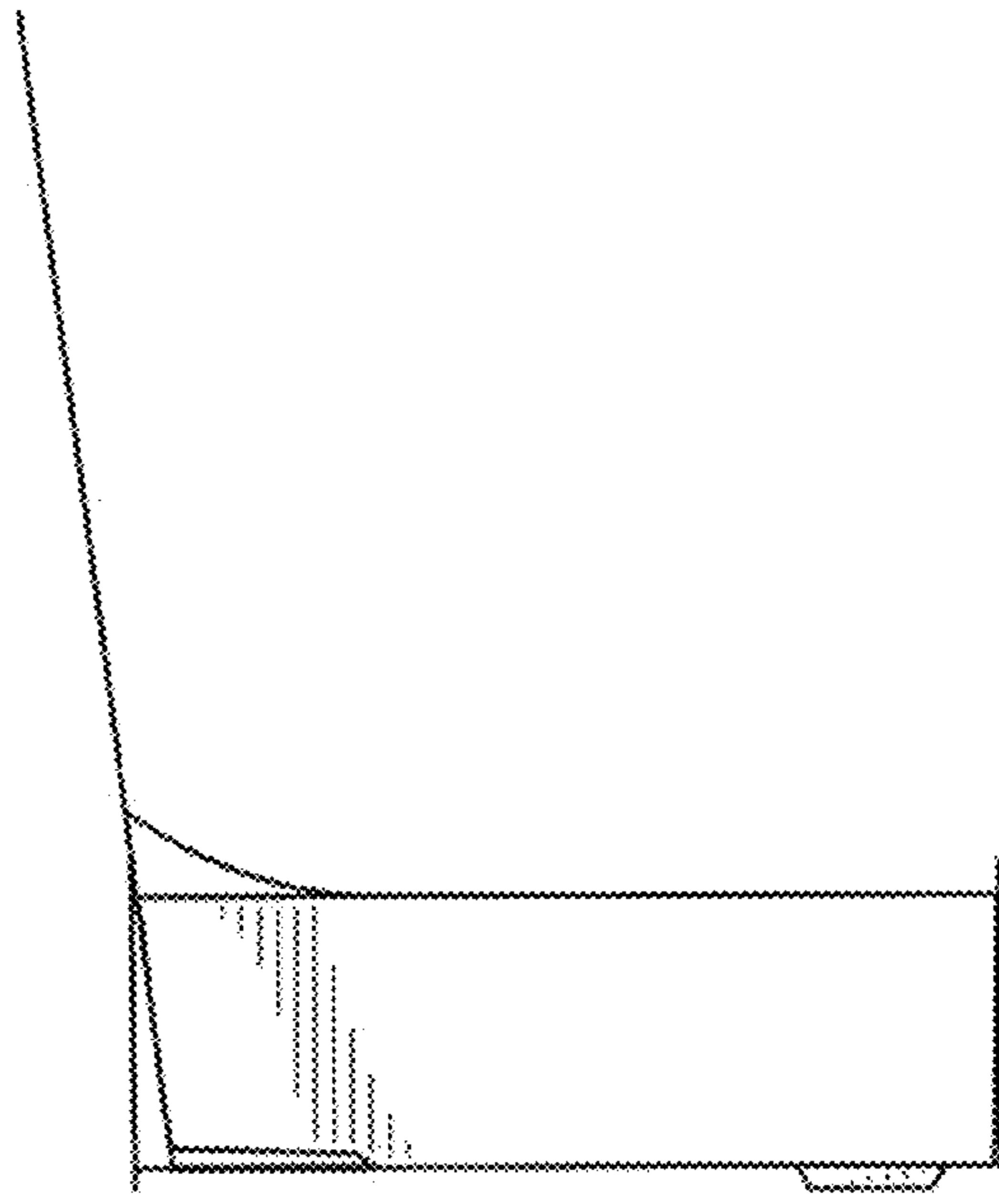


Fig. 6

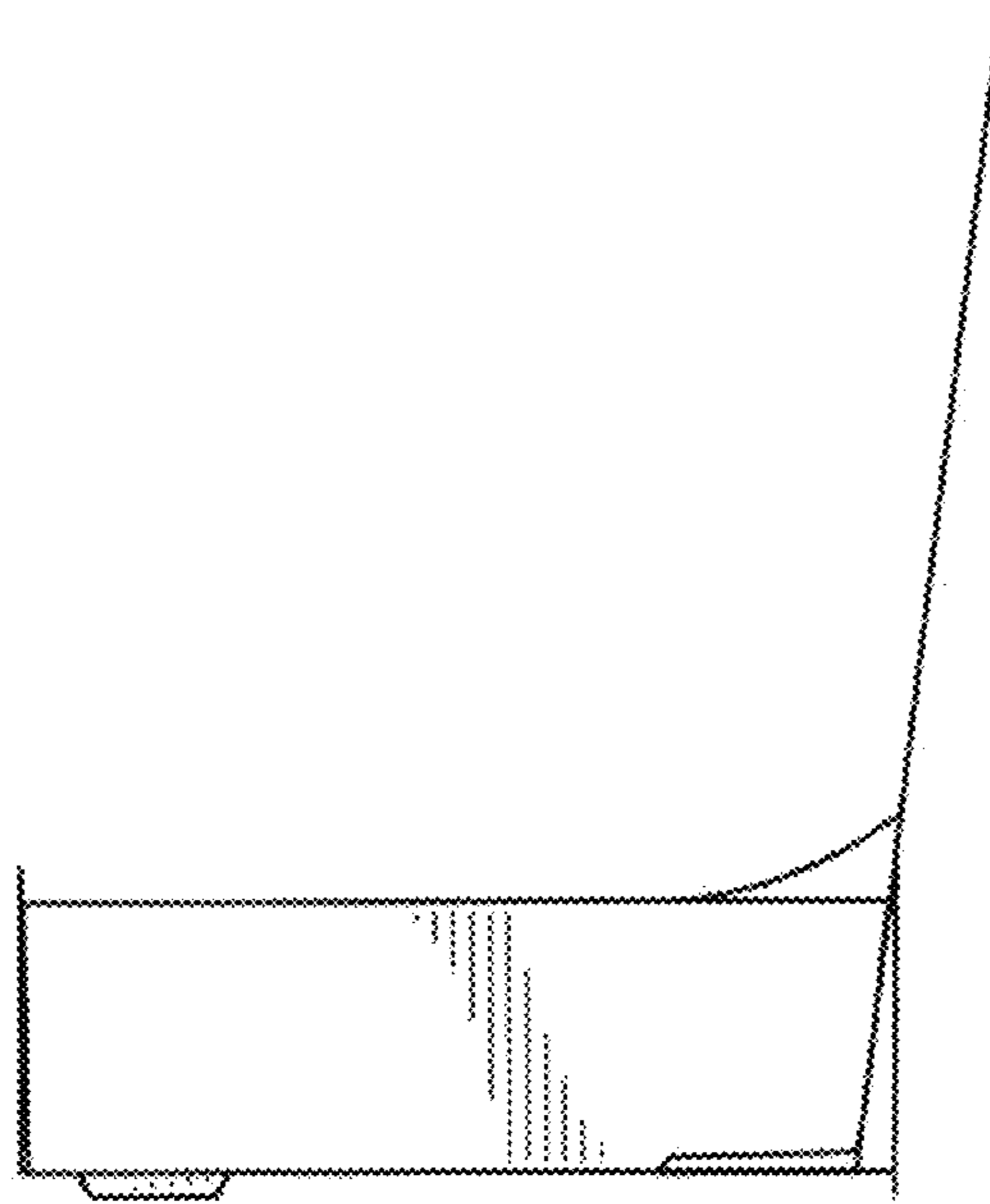


Fig. 7

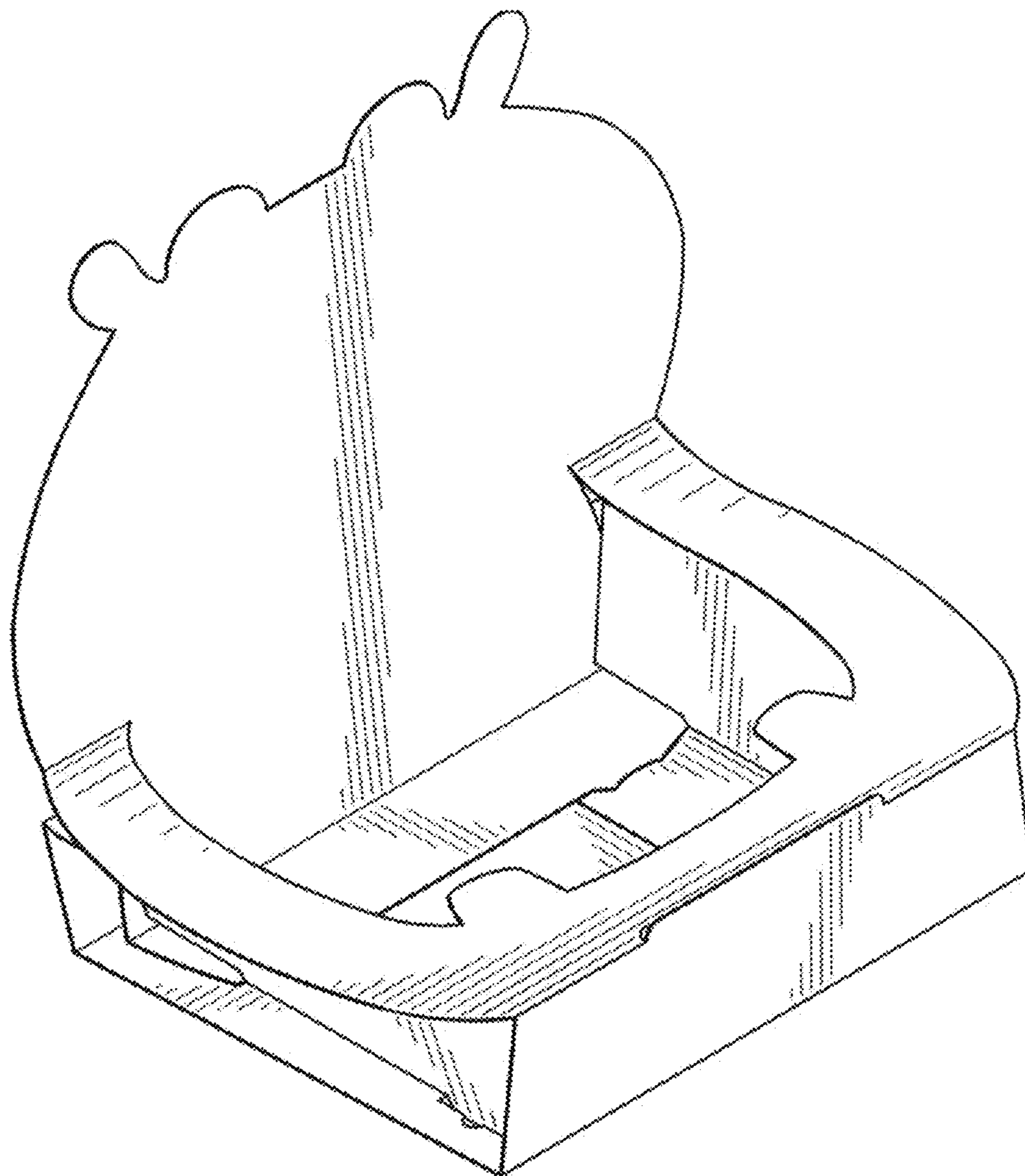


Fig. 8

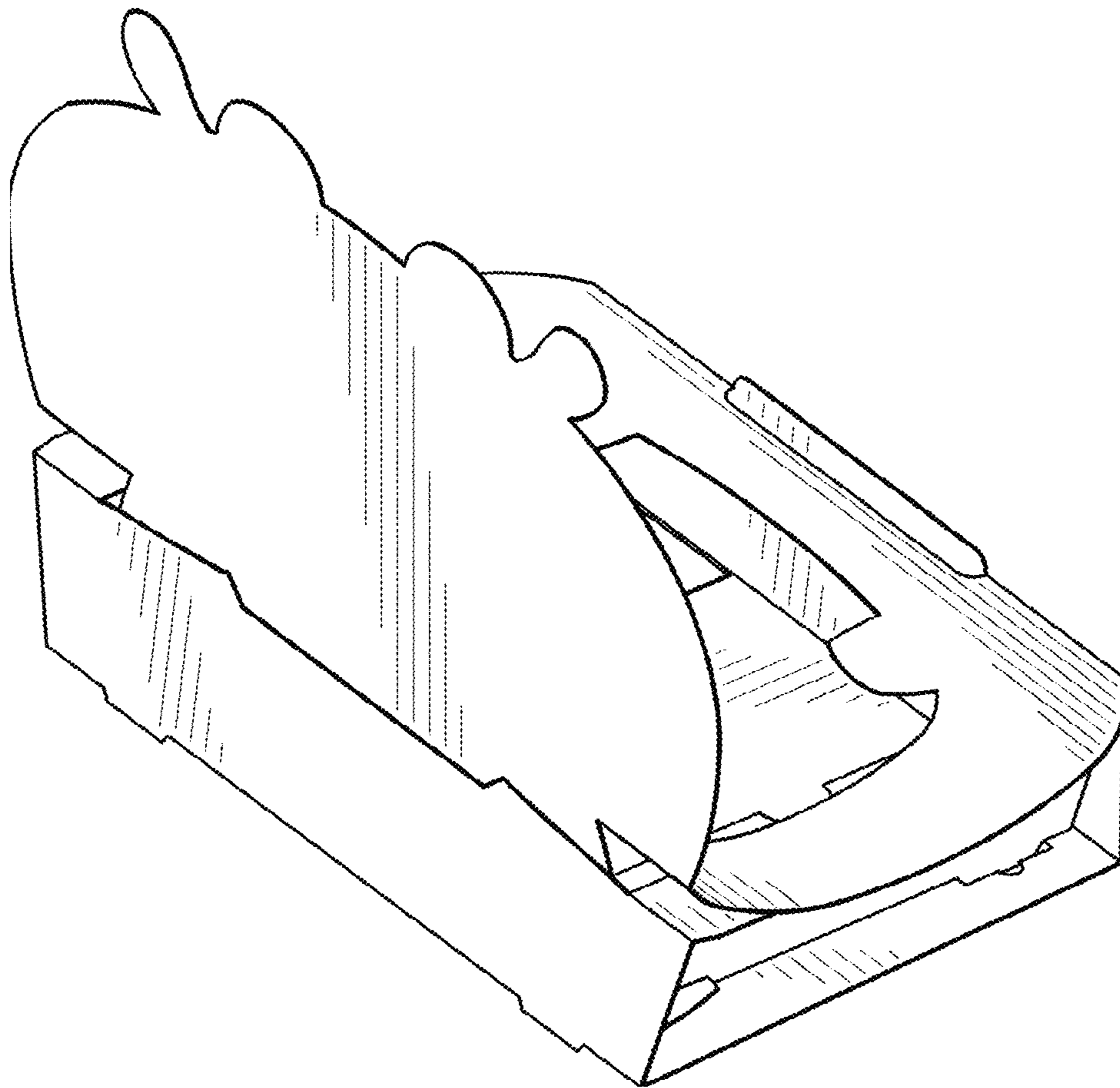


Fig. 9