



US00D871914S

(12) **United States Design Patent**  
**Harte**

(10) **Patent No.:** **US D871,914 S**

(45) **Date of Patent:** **\*\* Jan. 7, 2020**

(54) **BOTTLE**

(71) Applicant: **McCormick Distilling Co., Inc.**,  
Weston, MO (US)

(72) Inventor: **John Harte**, Terenure (IE)

(73) Assignee: **McCormick Distilling Co., Inc.**,  
Weston, MO (US)

(\*\*) Term: **15 Years**

(21) Appl. No.: **29/646,087**

(22) Filed: **May 1, 2018**

(51) **LOC (12) Cl.** ..... **09-01**

(52) **U.S. Cl.**  
USPC ..... **D9/607; D9/503; D9/537; D9/520;**  
**D9/545; D9/443**

(58) **Field of Classification Search**  
USPC ..... **D9/600-601, 607-612, 652, 500-503,**  
**D9/516, 520, 537-546, 549-560,**  
**D9/574-575, 715, 719, 443; 206/457,**  
**206/494, 459.5, 527, 540; 229/116.1;**  
**215/381-384, 400; D7/514-516, 539,**  
**D7/544, 571, 579, 604, 612-613, 619.2,**  
**D7/628-630, 391-392.1; D3/270-271.3**  
CPC ..... **B65D 67/00; B65D 81/36; B65D 81/60;**  
**B65D 81/368; B65D 2203/00; B65D**  
**2203/02; B65D 5/42; B65D 5/4208;**  
**B65D 77/00; A63H 33/16**  
See application file for complete search history.

(56) **References Cited**

**U.S. PATENT DOCUMENTS**

D117,266 S \* 10/1939 Gerhart ..... D9/500  
D376,958 S \* 12/1996 Blanc ..... D7/612  
D392,565 S \* 3/1998 Blackburn ..... D9/545  
D436,041 S \* 1/2001 Bang ..... D9/545

D472,461 S \* 4/2003 Yourist ..... D9/607  
D483,264 S \* 12/2003 Canepa ..... D9/500  
D560,506 S \* 1/2008 Lepoitevin ..... D9/607

(Continued)

*Primary Examiner* — Sandra L Morris

(74) *Attorney, Agent, or Firm* — Hovey Williams LLP

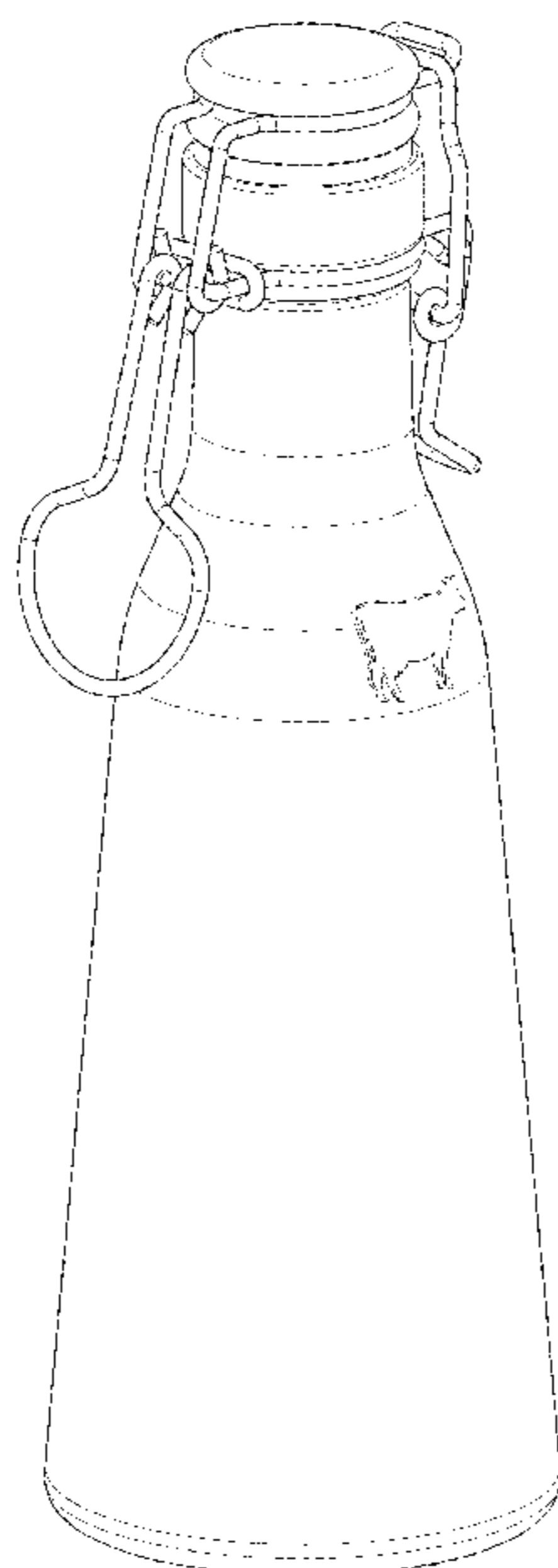
(57) **CLAIM**

The ornamental design for a bottle, as shown and described.

**DESCRIPTION**

FIG. 1 is an upper front perspective of a bottle embodying a first embodiment of my design;  
FIG. 2 is a lower rear perspective of the bottle shown in FIG. 1;  
FIG. 3 is a front elevation of the bottle shown in FIGS. 1 and 2;  
FIG. 4 is a right side elevation of the bottle shown in FIGS. 1-3;  
FIG. 5 is a rear elevation of the bottle shown in FIGS. 1-4;  
FIG. 6 is a left side elevation of the bottle shown in FIGS. 1-5;  
FIG. 7 is a top view of the bottle shown in FIGS. 1-6;  
FIG. 8 is a bottom view of the bottle shown in FIGS. 1-7;  
FIG. 9 is an upper front perspective of a bottle embodying a second embodiment of my design;  
FIG. 10 is a lower rear perspective of the bottle shown in FIG. 9;  
FIG. 11 is a front elevation of the bottle shown in FIGS. 9 and 10;  
FIG. 12 is a right side elevation of the bottle shown in FIGS. 9-11;  
FIG. 13 is a rear elevation of the bottle shown in FIGS. 9-12;  
FIG. 14 is a left side elevation of the bottle shown in FIGS. 9-13;  
FIG. 15 is a top view of the bottle shown in FIGS. 9-14; and,  
FIG. 16 is a bottom view of the bottle shown in FIGS. 9-15.

**1 Claim, 14 Drawing Sheets**



(56)

**References Cited**

U.S. PATENT DOCUMENTS

D569,264 S	*	5/2008	Yamanaka	.....	D9/691
D670,567 S	*	11/2012	Molina	.....	D9/607
D761,655 S	*	7/2016	Chung	.....	D9/500
D794,460 S	*	8/2017	Notheis	.....	D9/443

\* cited by examiner

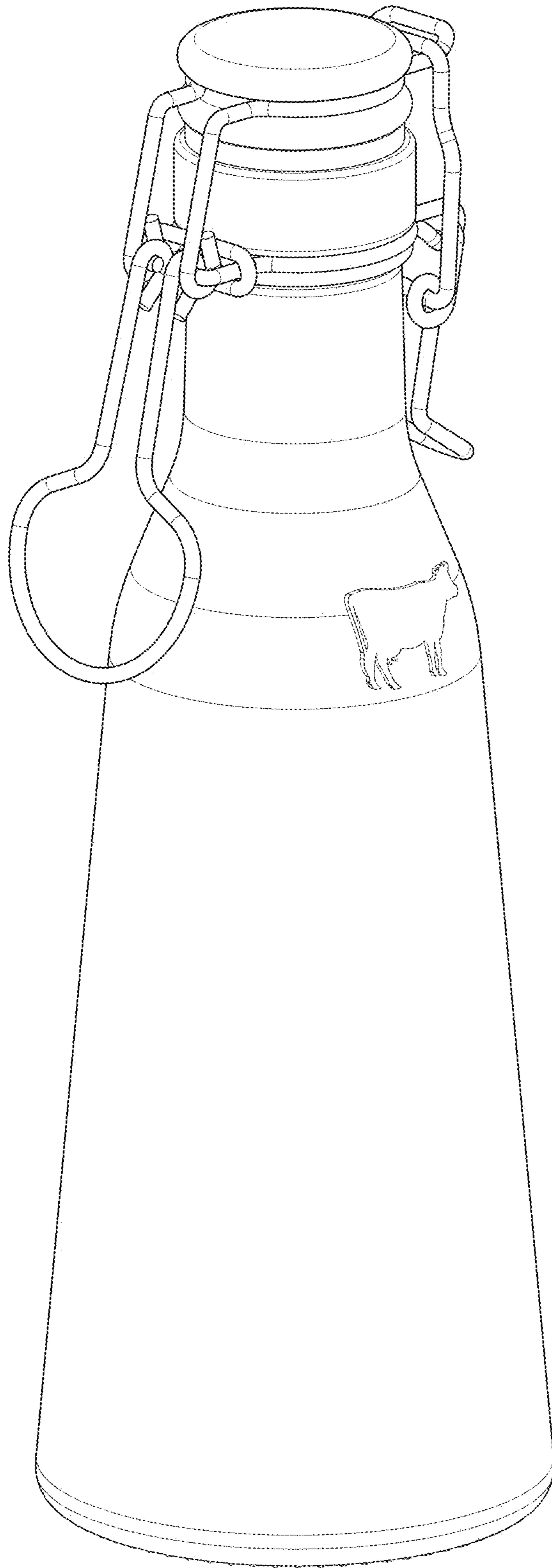


FIG. 1

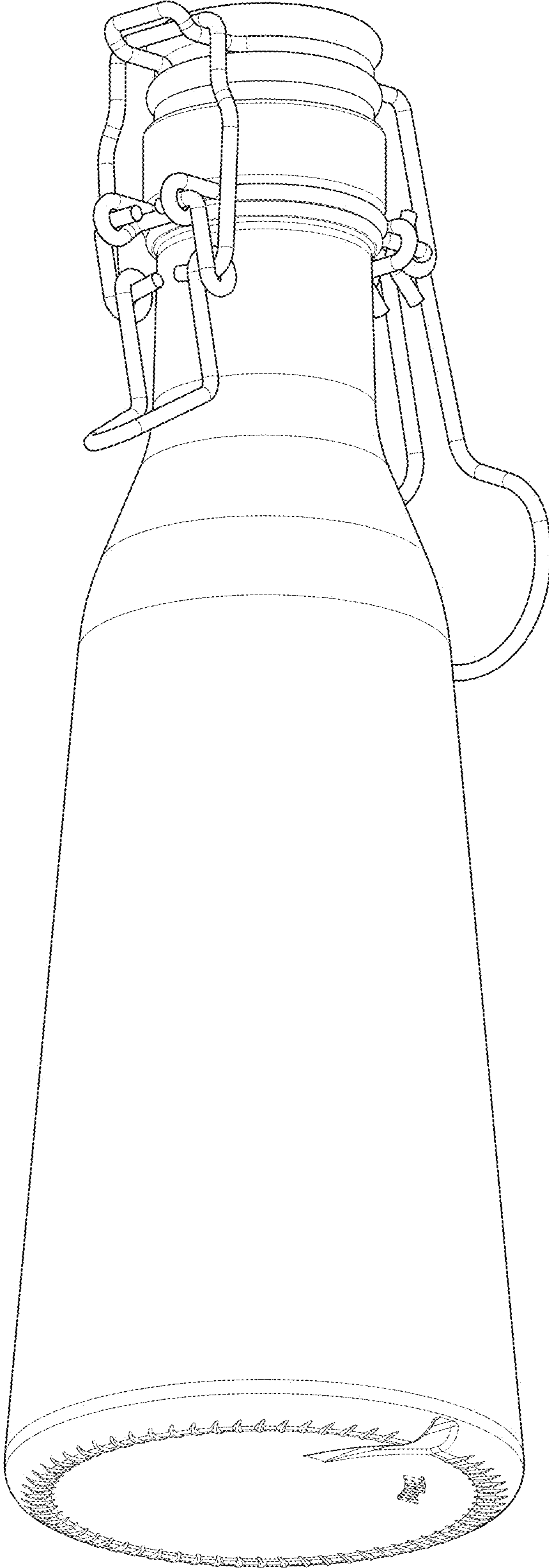


FIG. 2

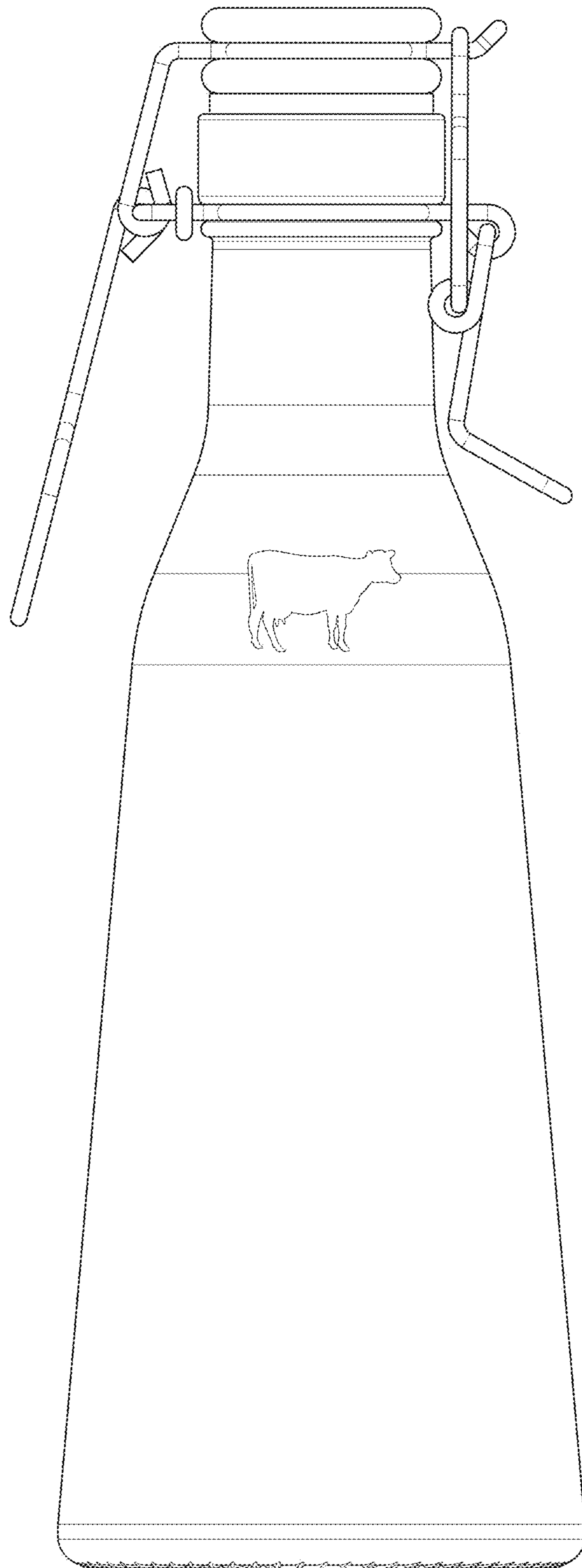


FIG. 3

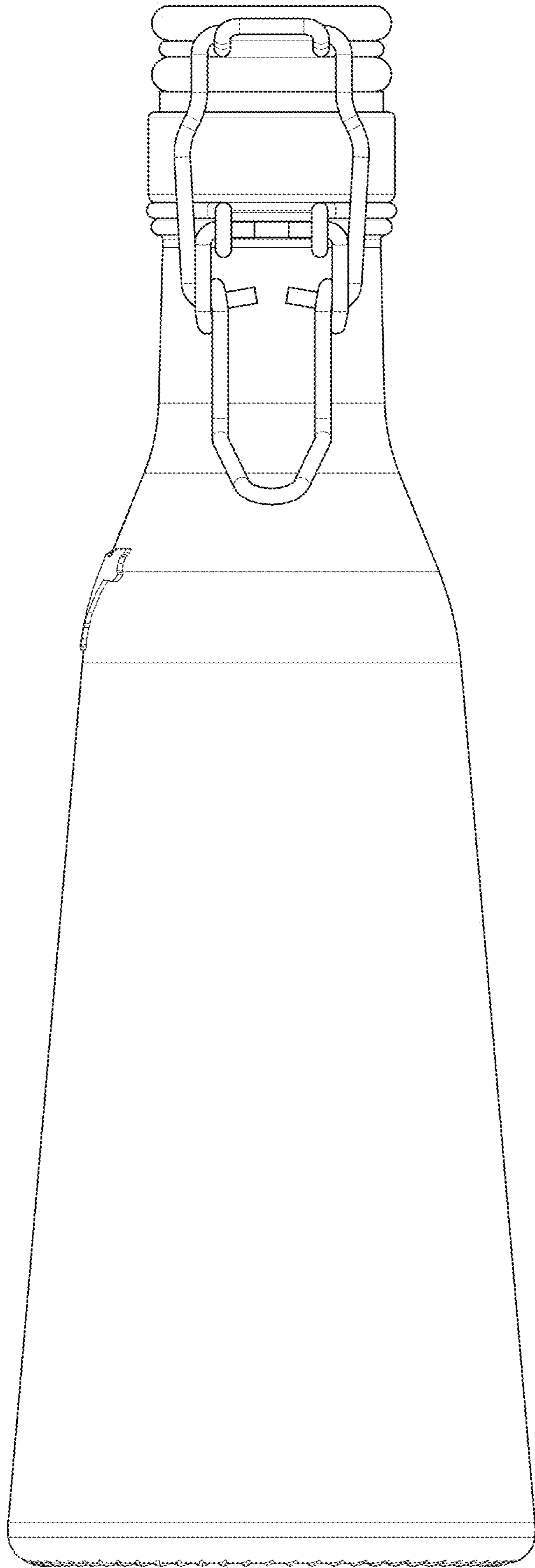


FIG. 4

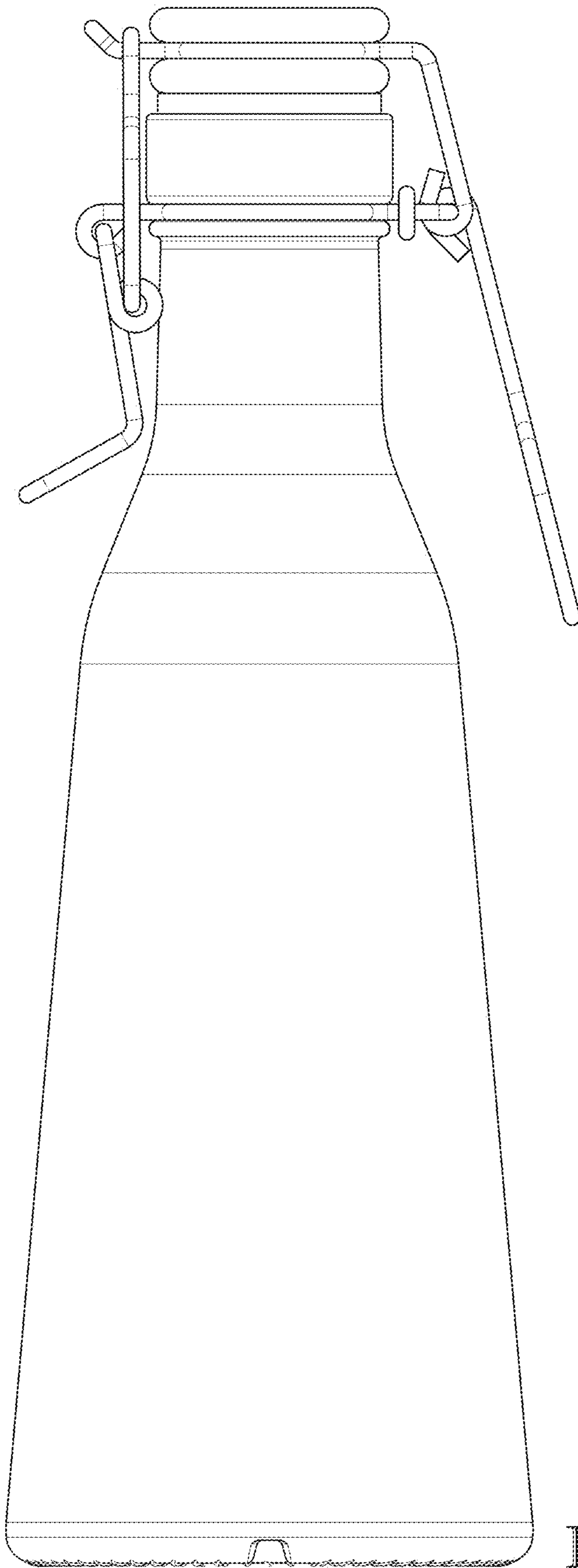


FIG. 5

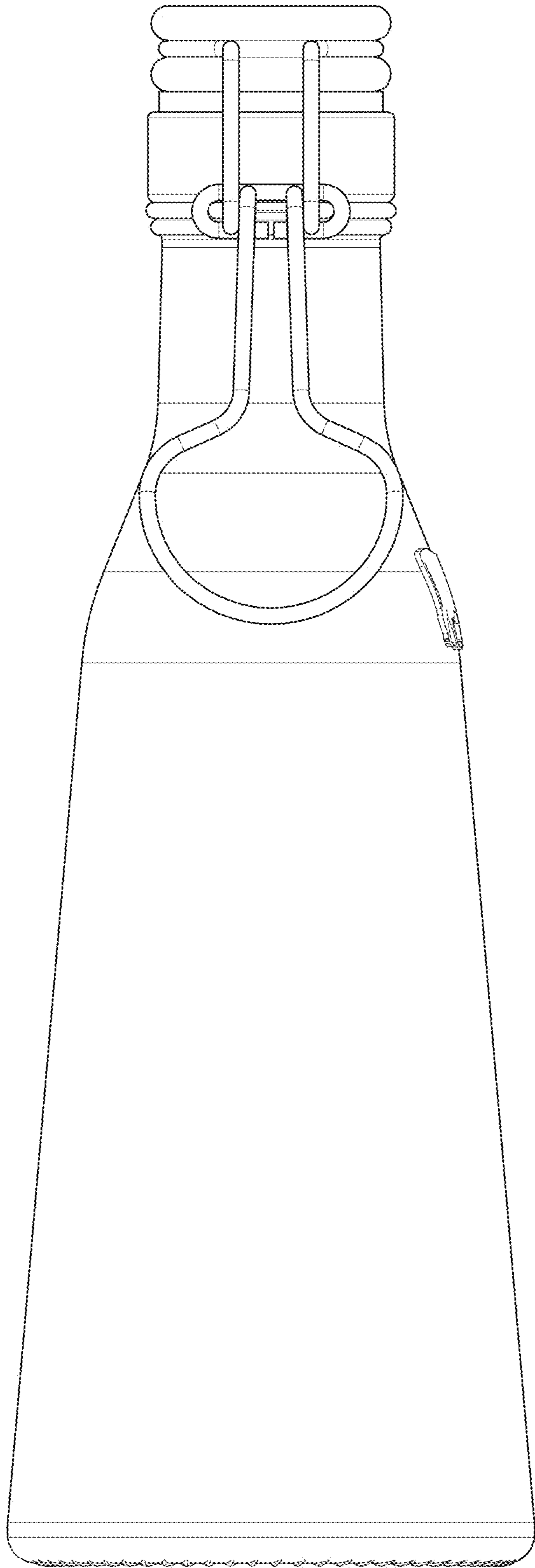


FIG. 6



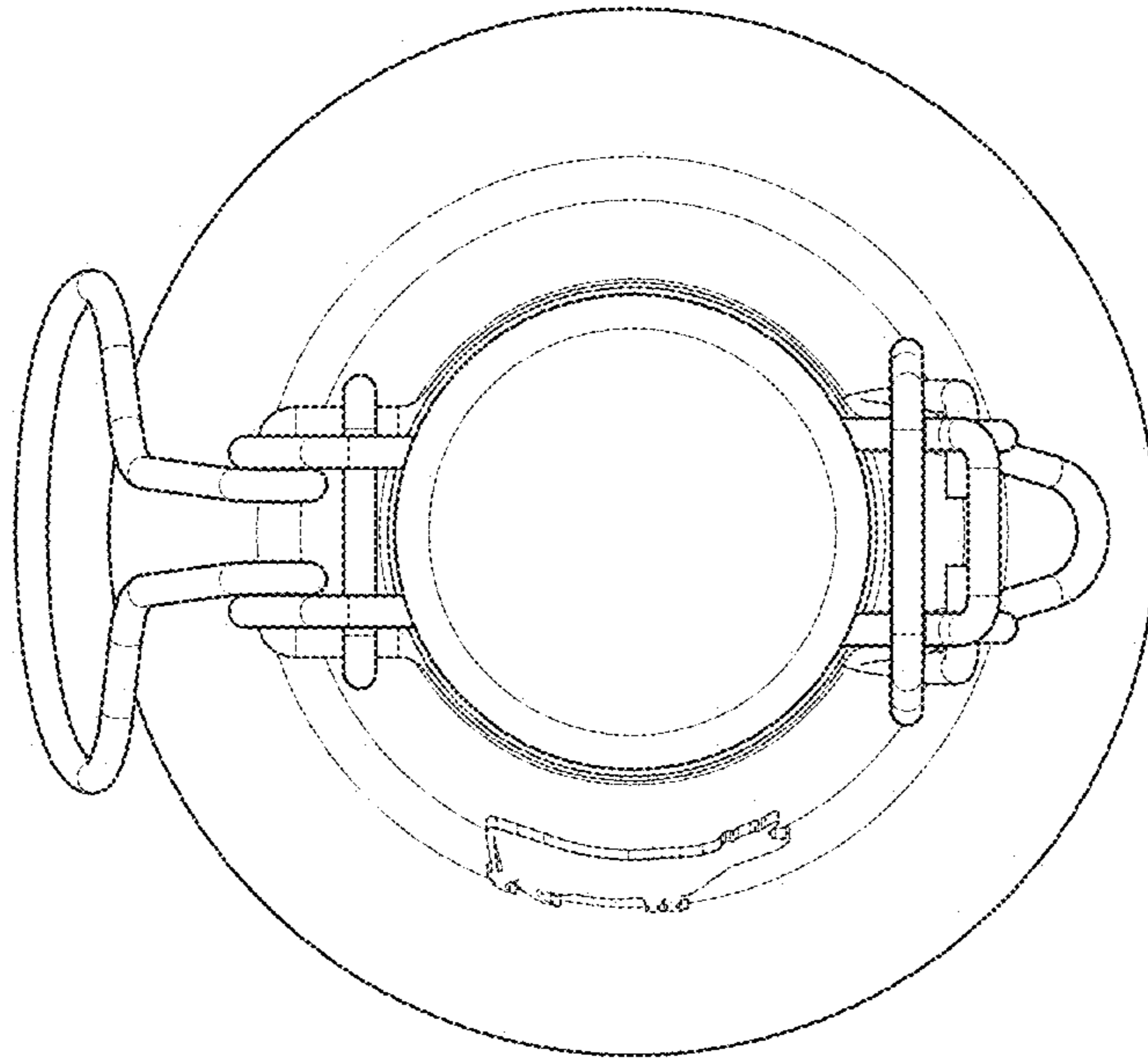


FIG. 7

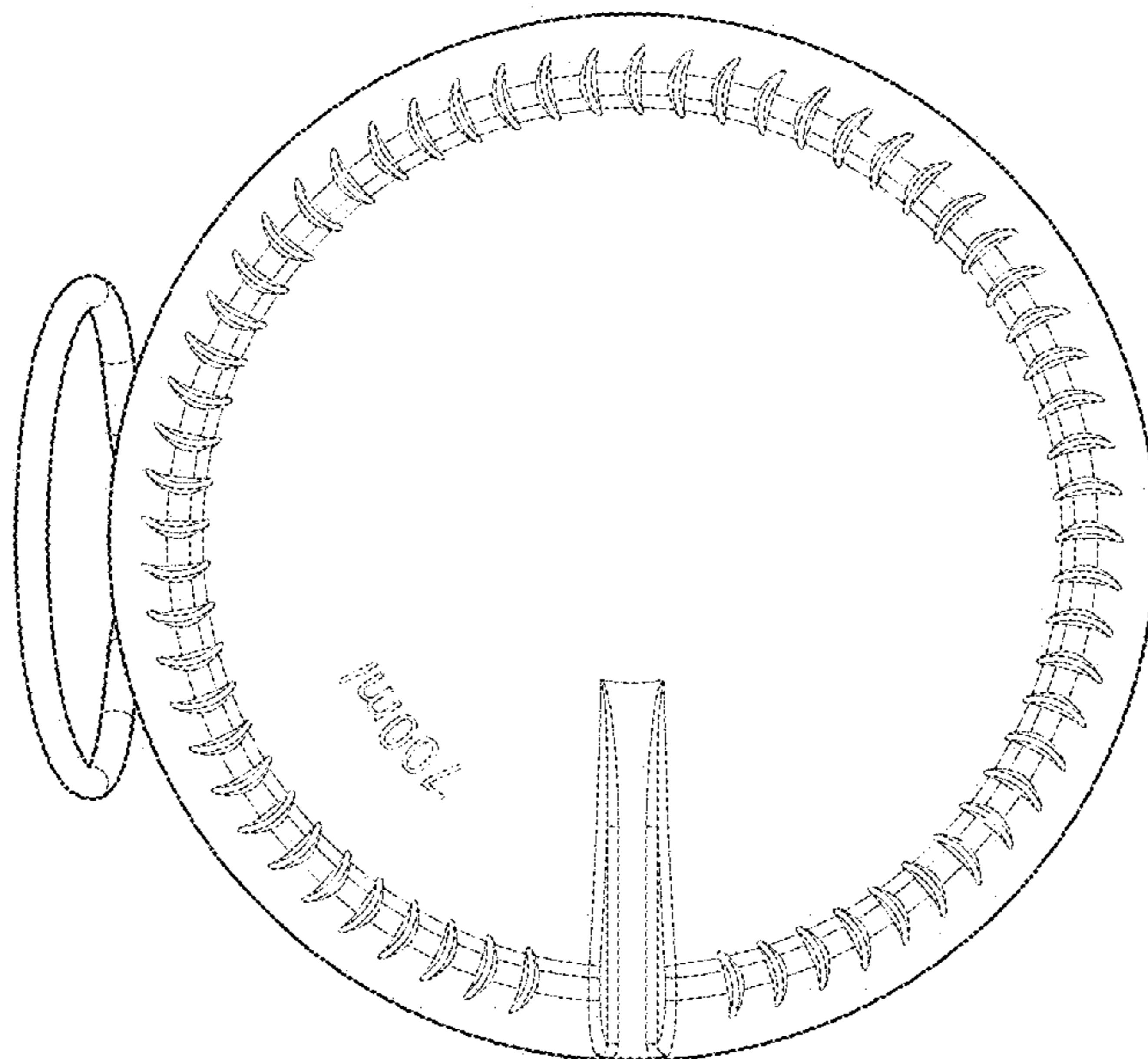


FIG. 8

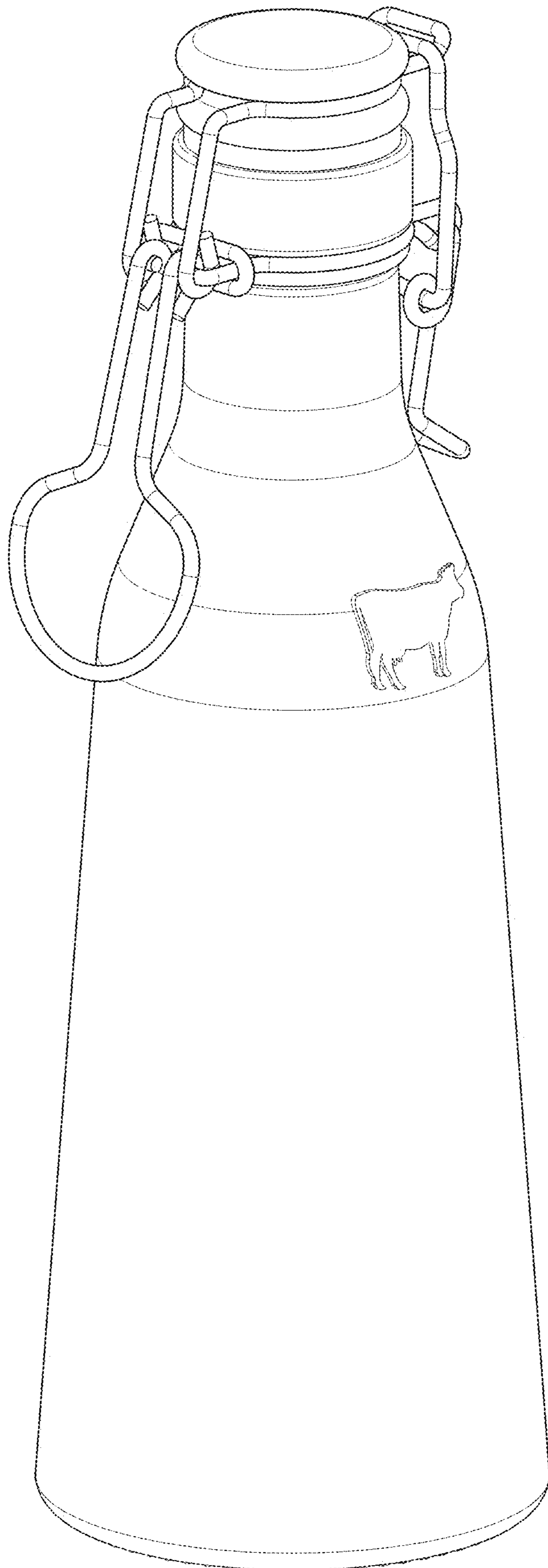


FIG. 9

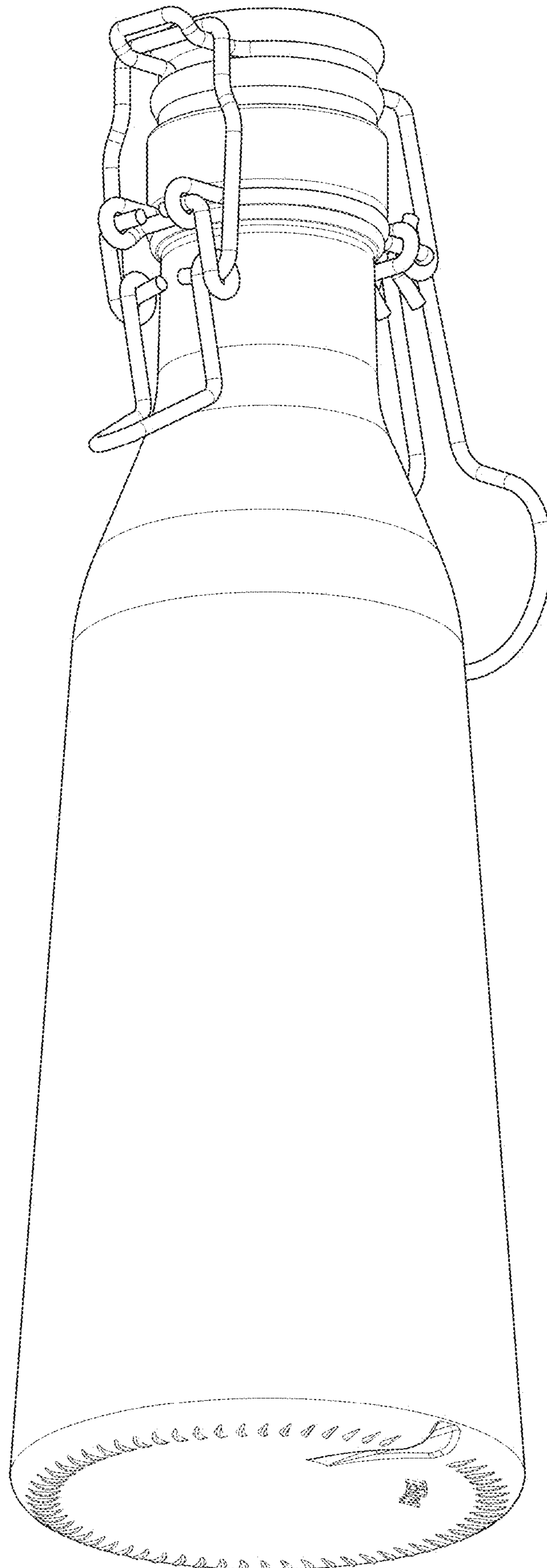


FIG. 10

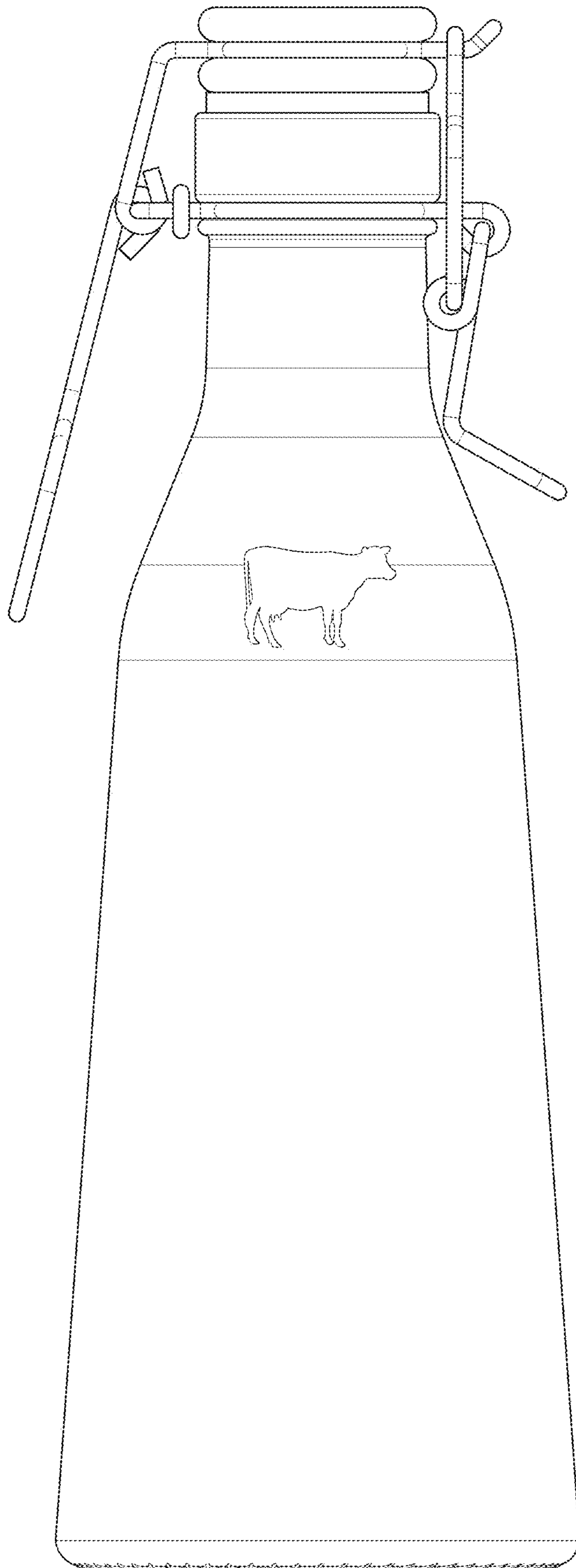


FIG. 11

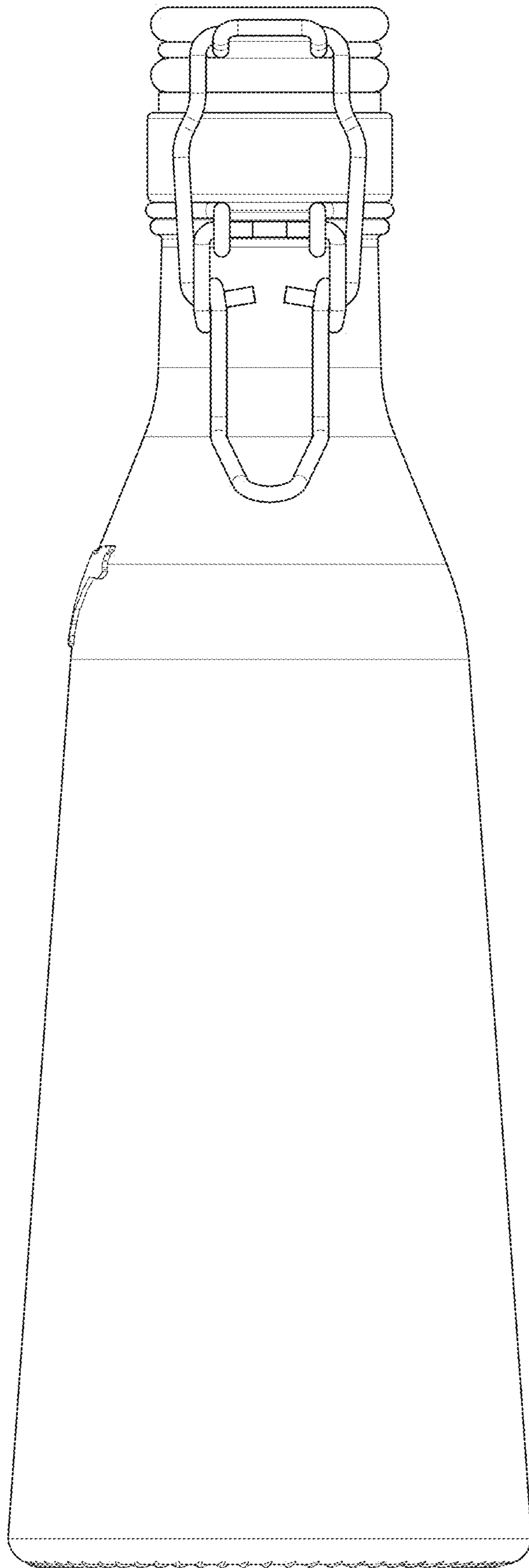


FIG. 12

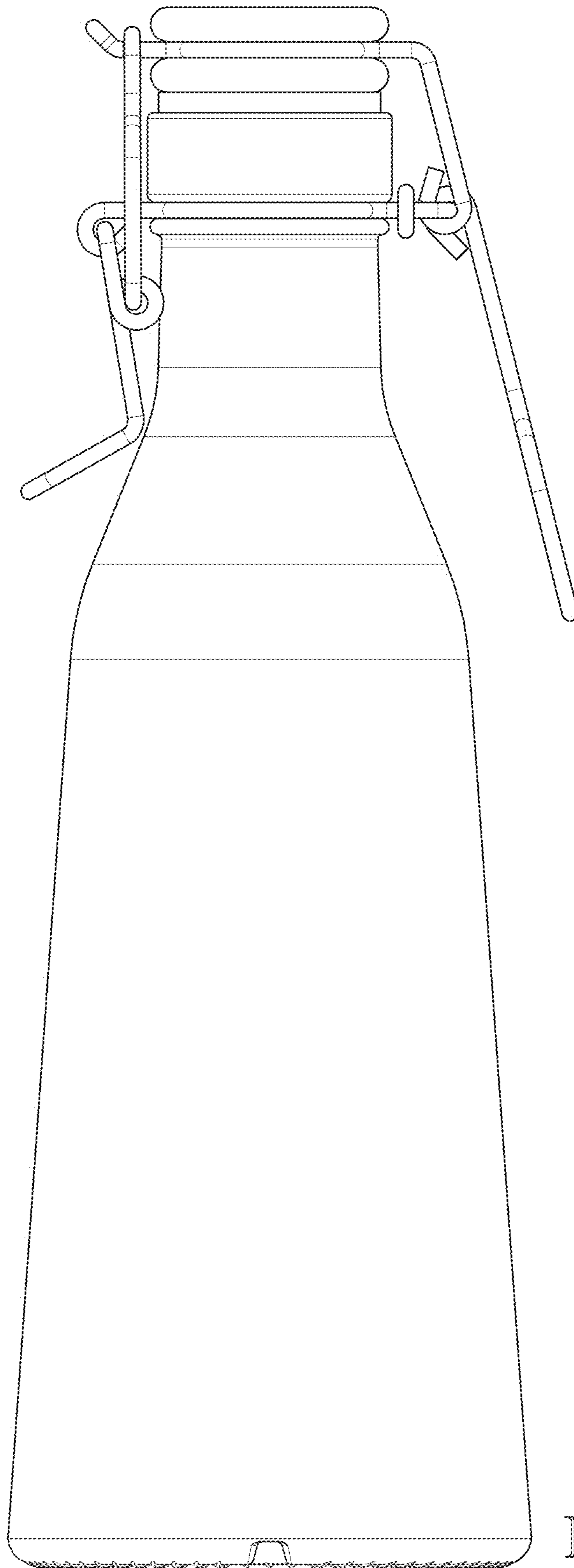


FIG. 13

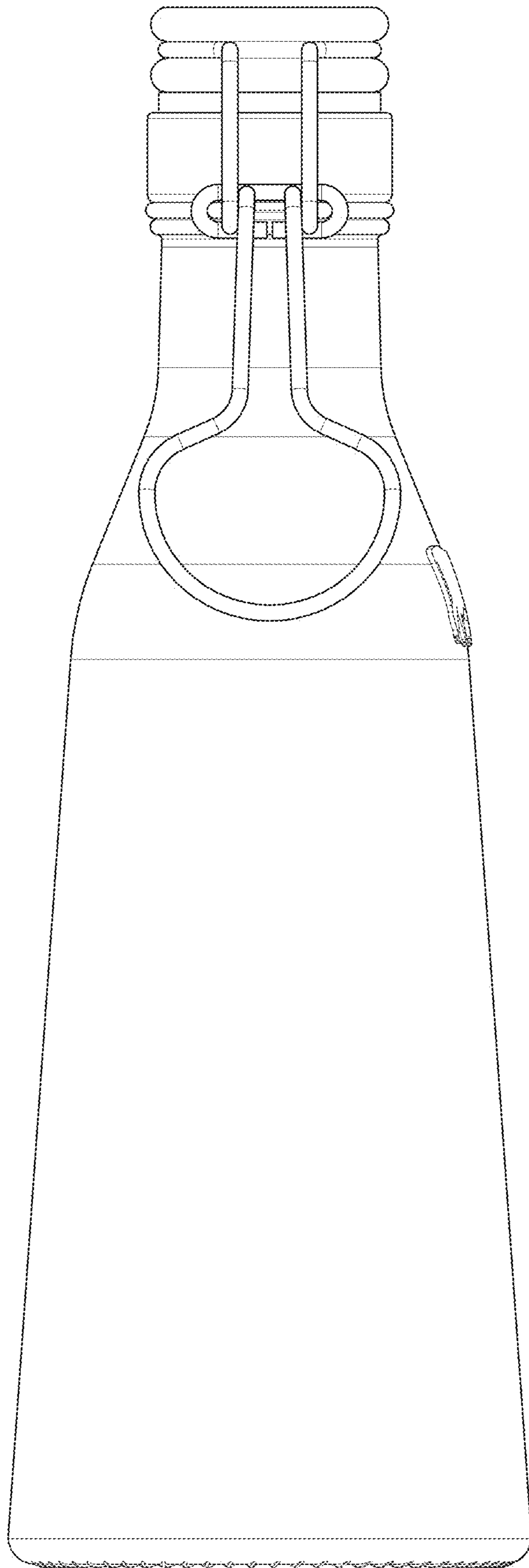


FIG. 14

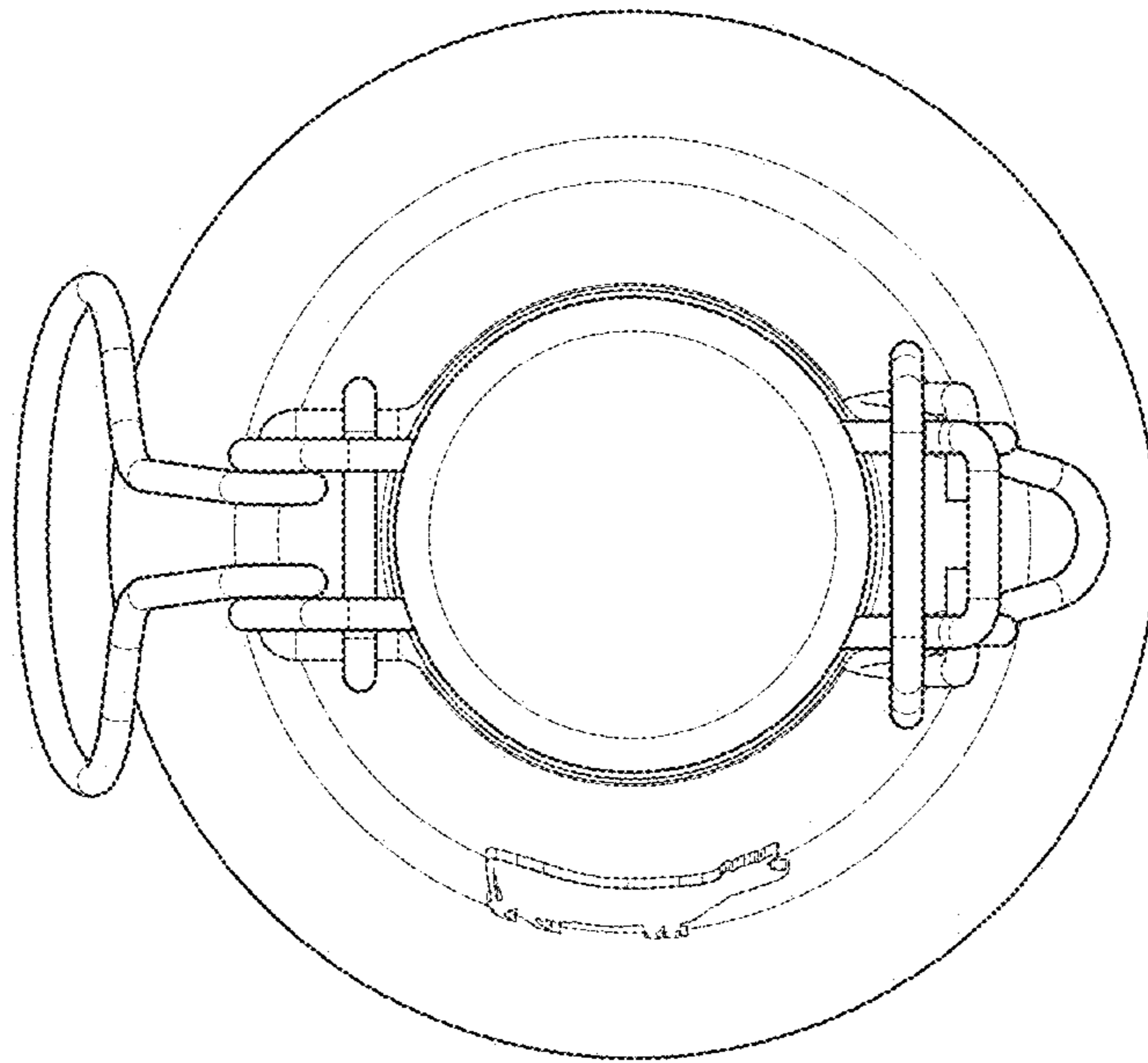


FIG. 15

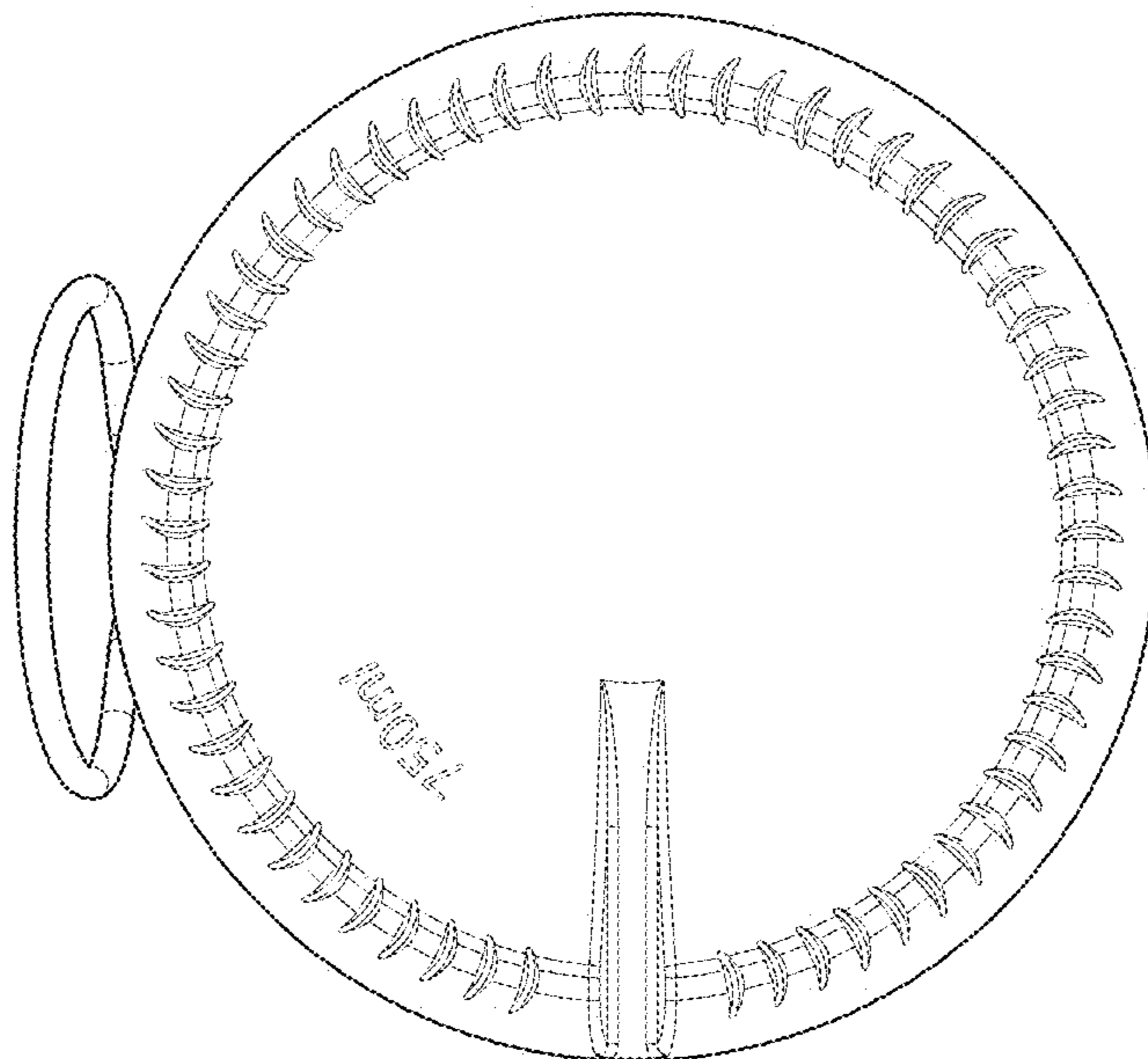


FIG. 16