



US00D871912S

(12) **United States Design Patent** (10) **Patent No.:** **US D871,912 S**  
**McGann et al.** (45) **Date of Patent:** **\*\* Jan. 7, 2020**

- (54) **BOTTLE**
- (71) Applicant: **Berlin Packaging, LLC**, Chicago, IL (US)
- (72) Inventors: **Jack McGann**, Chicago, IL (US); **Kieron Tse**, Mt. Prospect, IL (US)
- (73) Assignee: **Berlin Packaging, LLC**, Chicago, IL (US)
- (\*\*) Term: **15 Years**
- (21) Appl. No.: **29/654,743**
- (22) Filed: **Jun. 27, 2018**
- (51) **LOC (12) Cl.** ..... **09-01**
- (52) **U.S. Cl.**  
USPC ..... **D9/543; D9/551**
- (58) **Field of Classification Search**  
USPC ..... D9/516, 520, 530, 543, 549, 552, 563, D9/565, 569, 571, 575, 685, 693, 715, D9/719, 551  
CPC . B65D 1/00; B65D 1/02; B65D 1/023; B65D 1/0223; B65D 1/0276  
See application file for complete search history.

(56) **References Cited**

U.S. PATENT DOCUMENTS

|              |         |            |       |        |
|--------------|---------|------------|-------|--------|
| D469,022 S * | 1/2003  | Kuzma      | ..... | D9/550 |
| D502,110 S * | 2/2005  | Theunynck  | ..... | D9/550 |
| D510,033 S * | 9/2005  | McLeish    | ..... | D9/563 |
| D538,673 S * | 3/2007  | Sterling   | ..... | D9/552 |
| D545,211 S * | 6/2007  | Armstrong  | ..... | D9/446 |
| D589,357 S * | 3/2009  | Crawford   | ..... | D9/563 |
| D599,674 S * | 9/2009  | Lee        | ..... | D9/548 |
| D626,004 S * | 10/2010 | McCay      | ..... | D9/552 |
| D640,927 S * | 7/2011  | Seum       | ..... | D9/520 |
| D643,737 S * | 8/2011  | Handy      | ..... | D9/558 |
| D719,031 S * | 12/2014 | Teitelbaum | ..... | D9/565 |
| D759,495 S * | 6/2016  | Hawry      | ..... | D9/563 |
| D773,312 S * | 12/2016 | Flood      | ..... | D9/562 |

D791,607 S \* 7/2017 Hawry ..... D9/575  
D792,780 S \* 7/2017 Jost ..... D9/520  
D803,693 S \* 11/2017 Bergeson ..... D9/542  
(Continued)

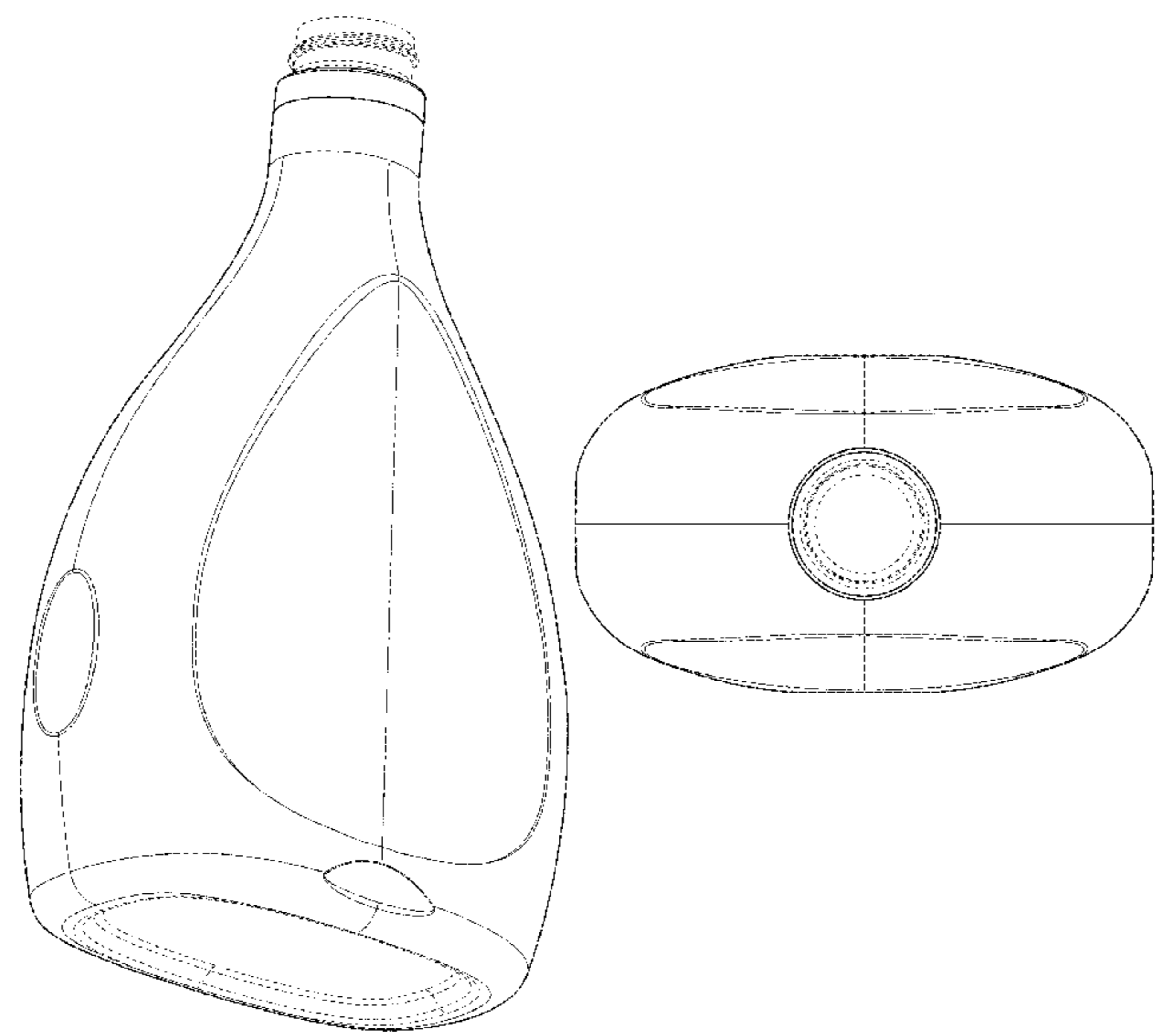
*Primary Examiner* — Shannon W Morgan  
*Assistant Examiner* — Keith Frank  
(74) *Attorney, Agent, or Firm* — Adam K. Sacharoff; Much Shelist, P.C.

(57) **CLAIM**  
The ornamental design for a bottle, as shown and described.

**DESCRIPTION**

FIG. 1 is a front left side perspective view showing the new design for a bottle;  
FIG. 2 is a front right side perspective view thereof;  
FIG. 3 is a rear left side perspective view thereof;  
FIG. 4 is a rear right side perspective view thereof;  
FIG. 5 is a front elevation view thereof, the rear elevation being a mirror image thereof;  
FIG. 6 is a left side view thereof, the right side being a mirror image thereof;  
FIG. 7 is a top plan view thereof;  
FIG. 8 is a bottom plan view thereof;  
FIG. 9 is a front left side perspective view showing another new design for the bottle;  
FIG. 10 is a front right side perspective view thereof;  
FIG. 11 is a rear left side perspective view thereof;  
FIG. 12 is a rear right side perspective view thereof;  
FIG. 13 is a front elevation view thereof, the rear elevation being a mirror image thereof;  
FIG. 14 is a left side view thereof, the right side being a mirror image thereof;  
FIG. 15 is a top plan view thereof; and,  
FIG. 16 is a bottom plan view thereof.  
The broken lines in the drawings showing the bottle illustrate the portions of the bottle that form no part of the claimed design.

**1 Claim, 16 Drawing Sheets**



(56)

**References Cited**

U.S. PATENT DOCUMENTS

|              |         |                 |        |
|--------------|---------|-----------------|--------|
| D810,576 S * | 2/2018  | Hawry .....     | D9/542 |
| D823,023 S * | 7/2018  | Cannamela ..... | D6/542 |
| D824,779 S * | 8/2018  | Lalier .....    | D9/686 |
| D830,840 S * | 10/2018 | Cesare .....    | D9/550 |

\* cited by examiner

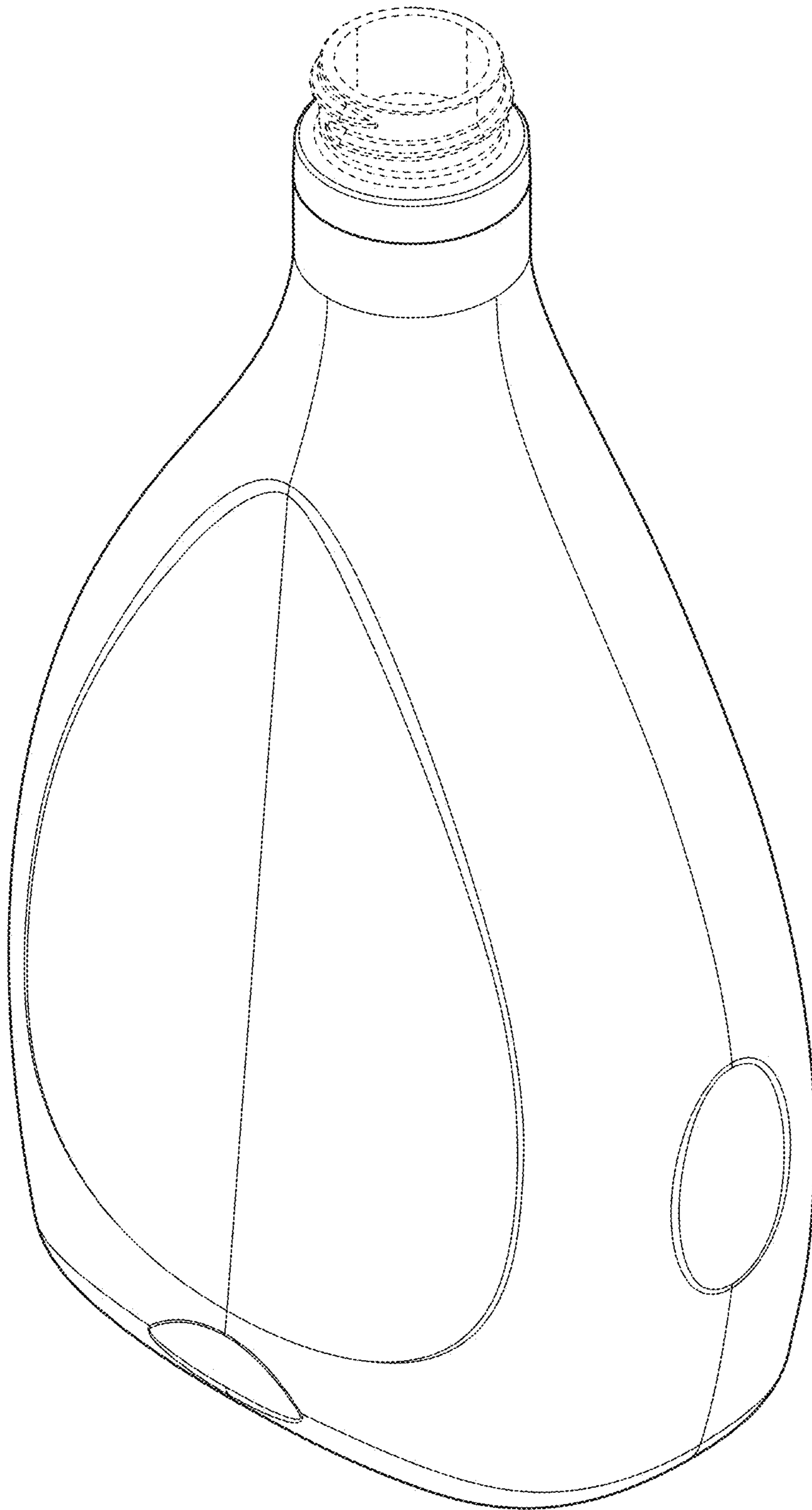


FIG. 1

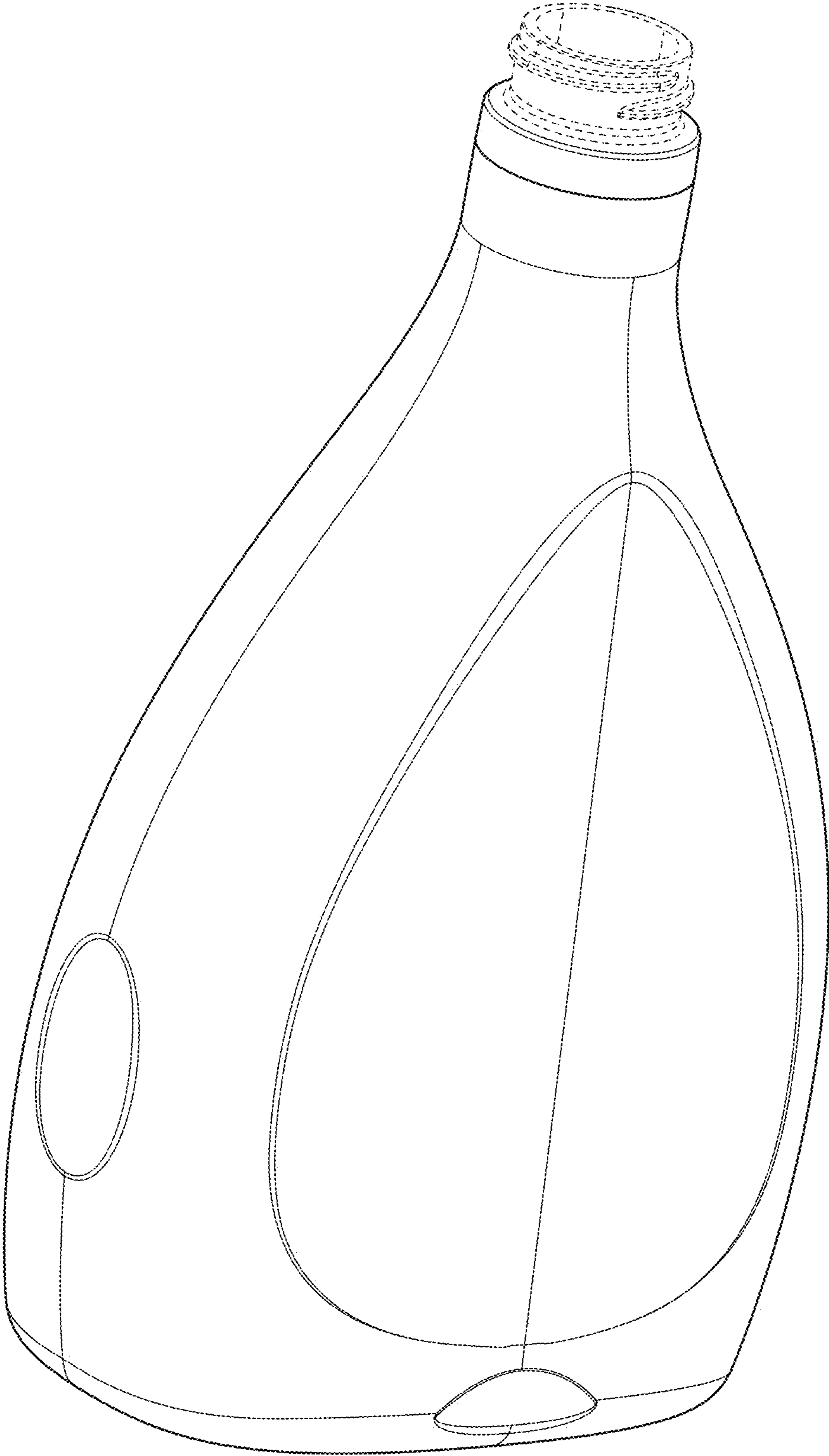


FIG. 2

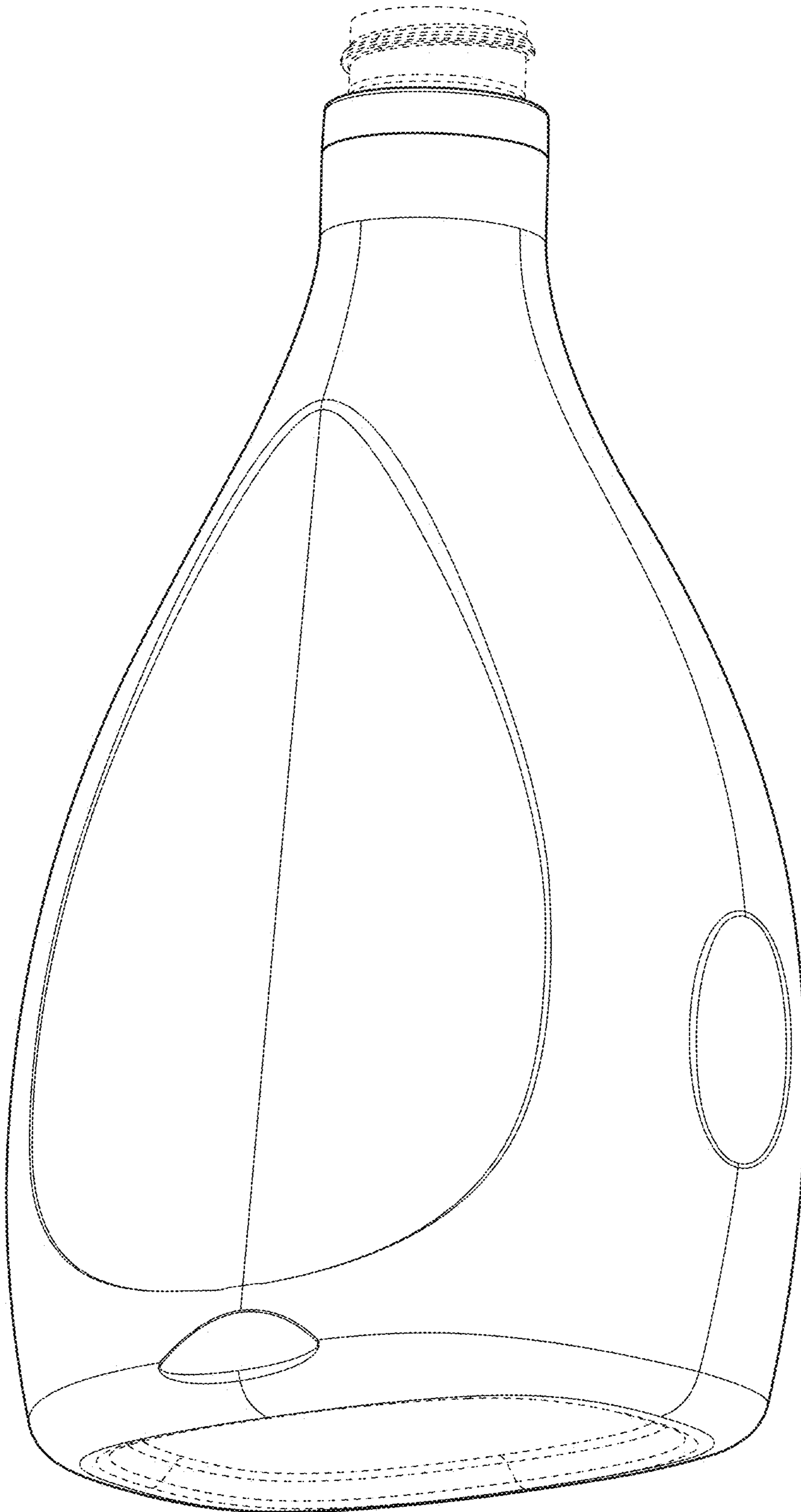


FIG. 3

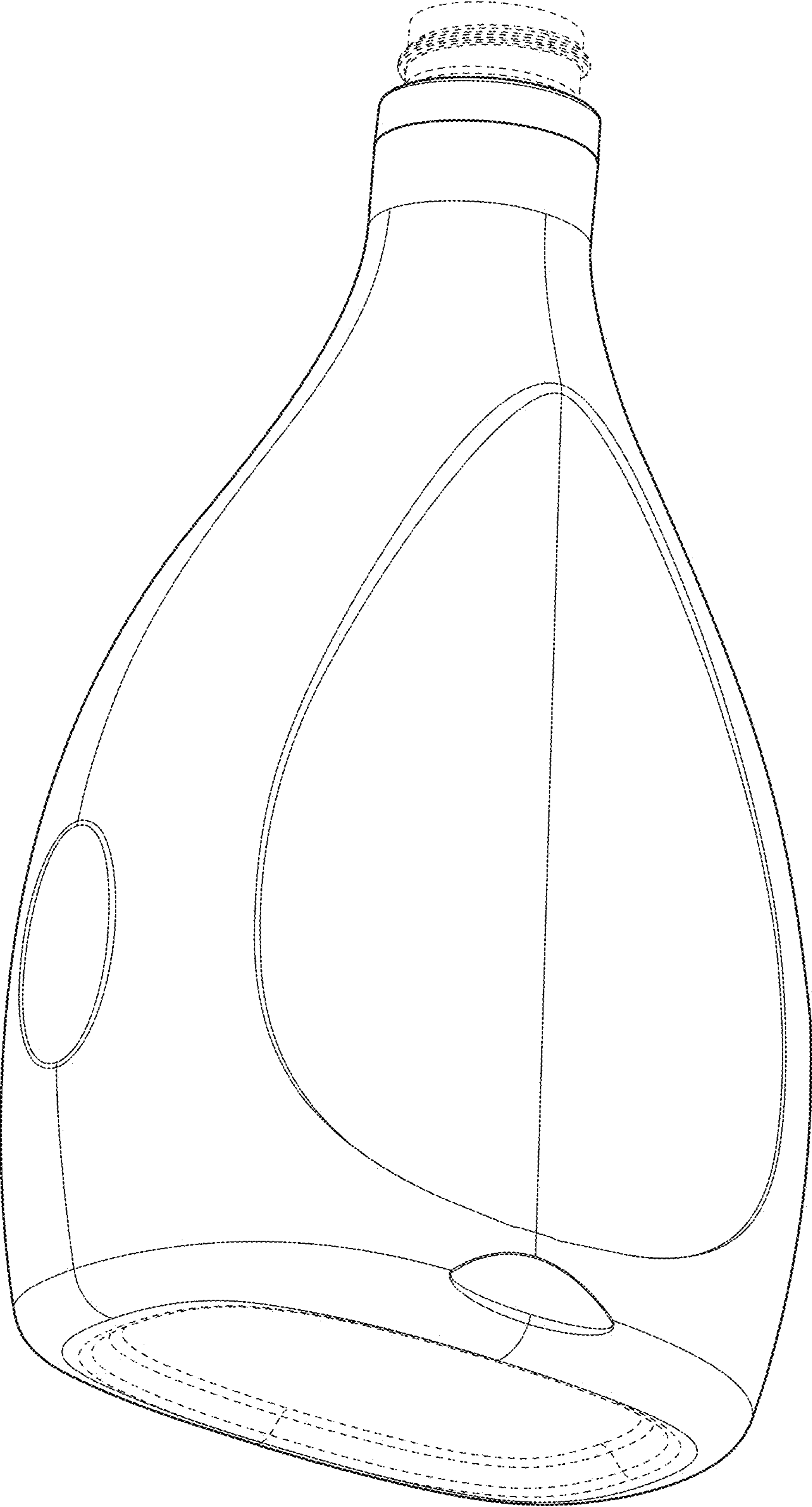


FIG. 4

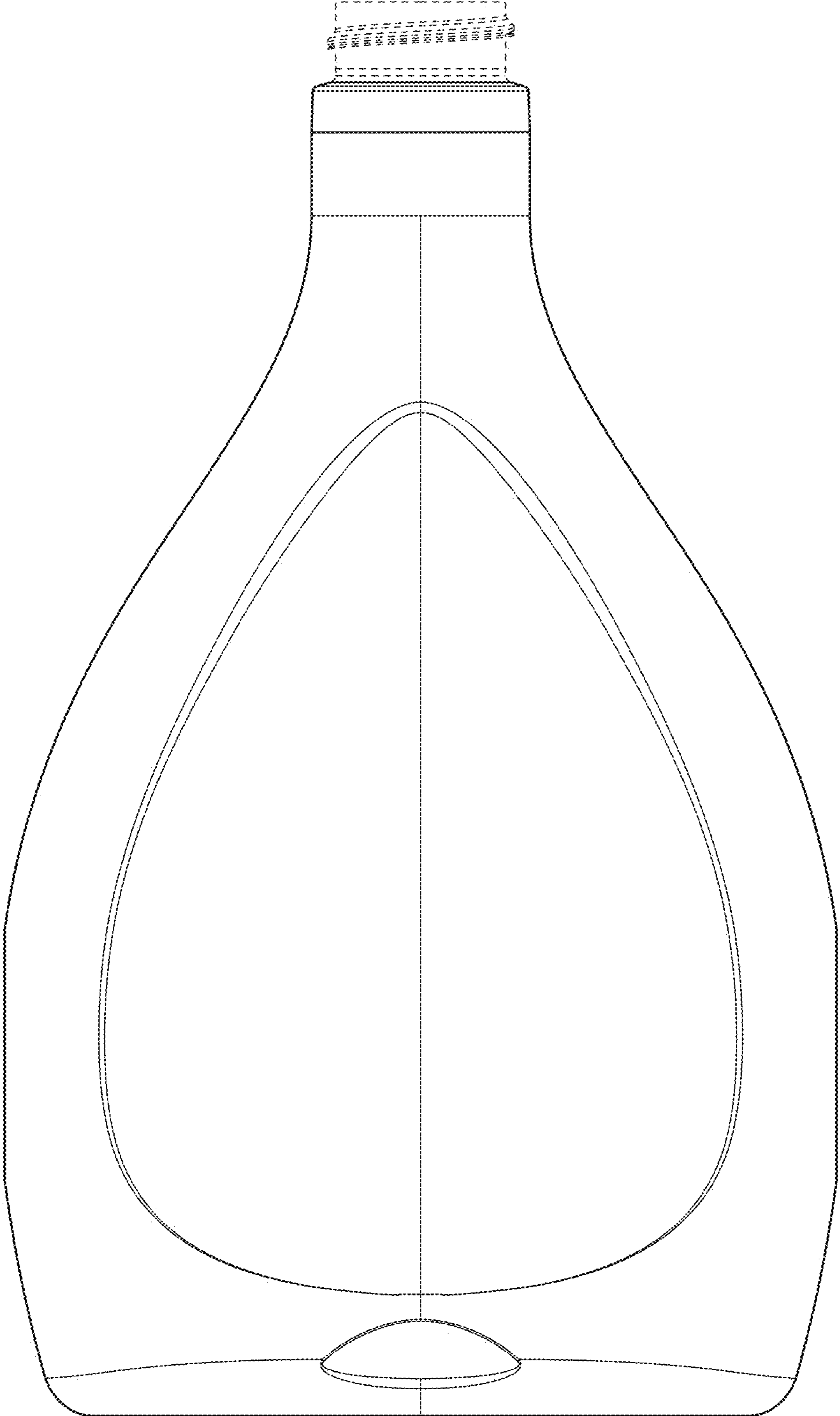


FIG. 5

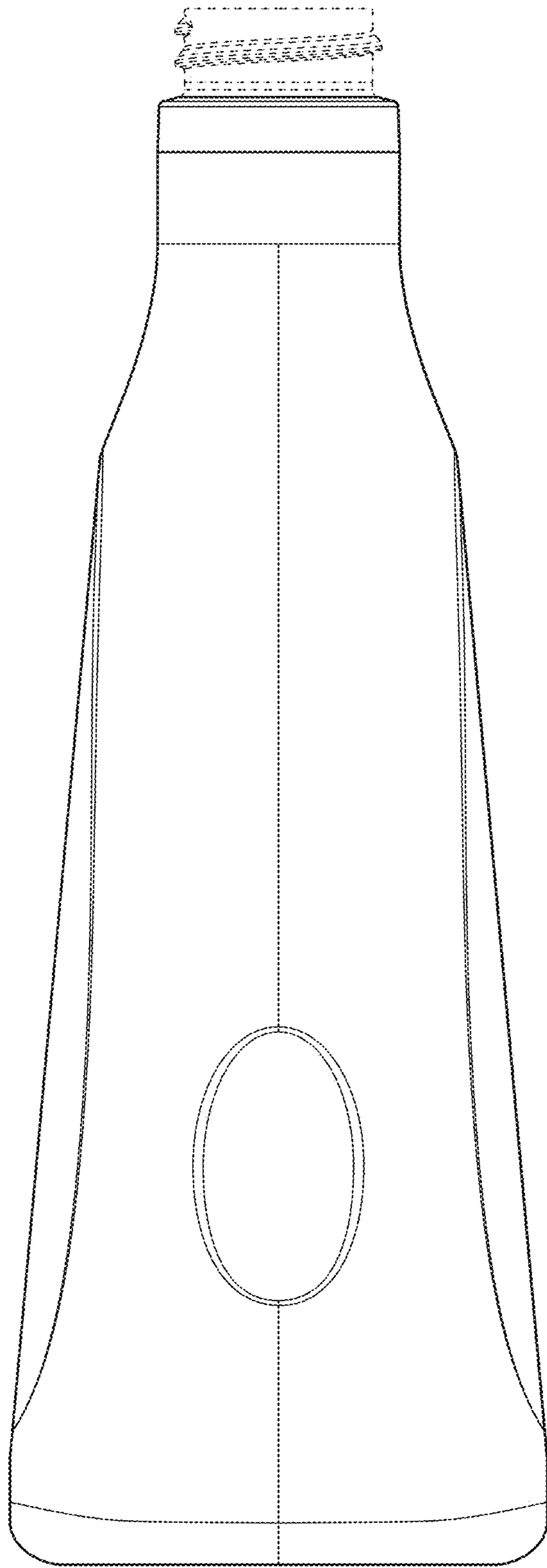


FIG. 6



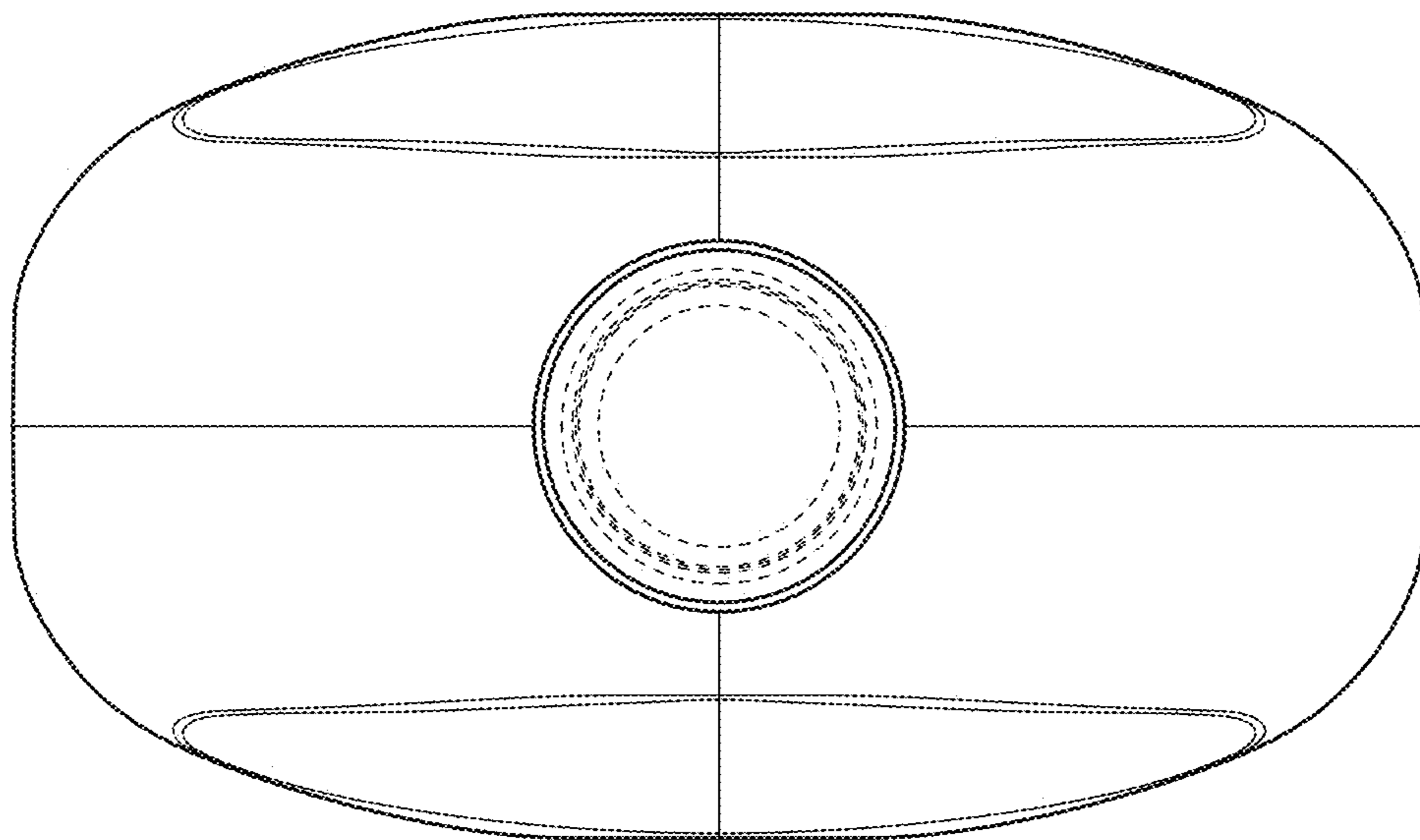


FIG. 7

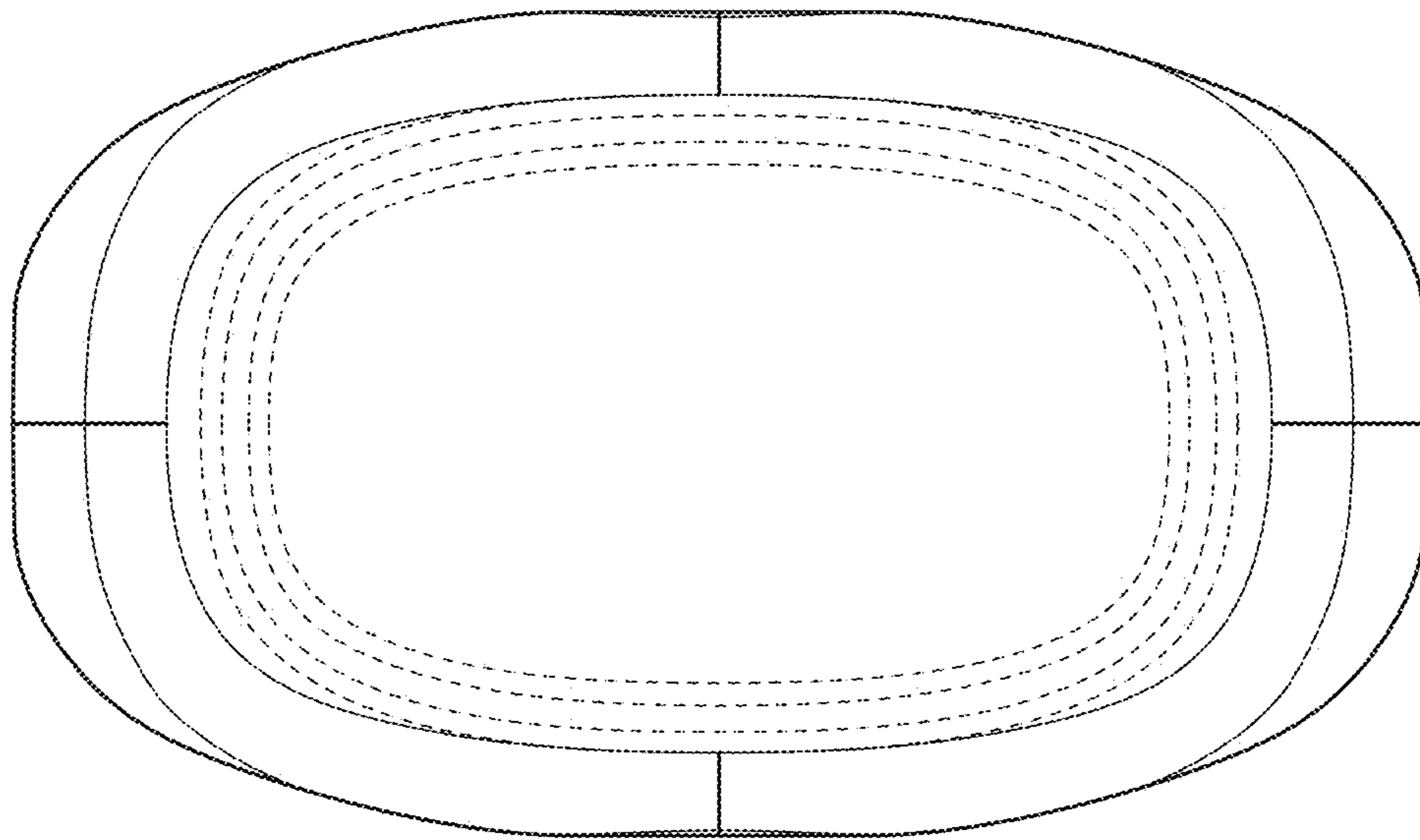


FIG. 8

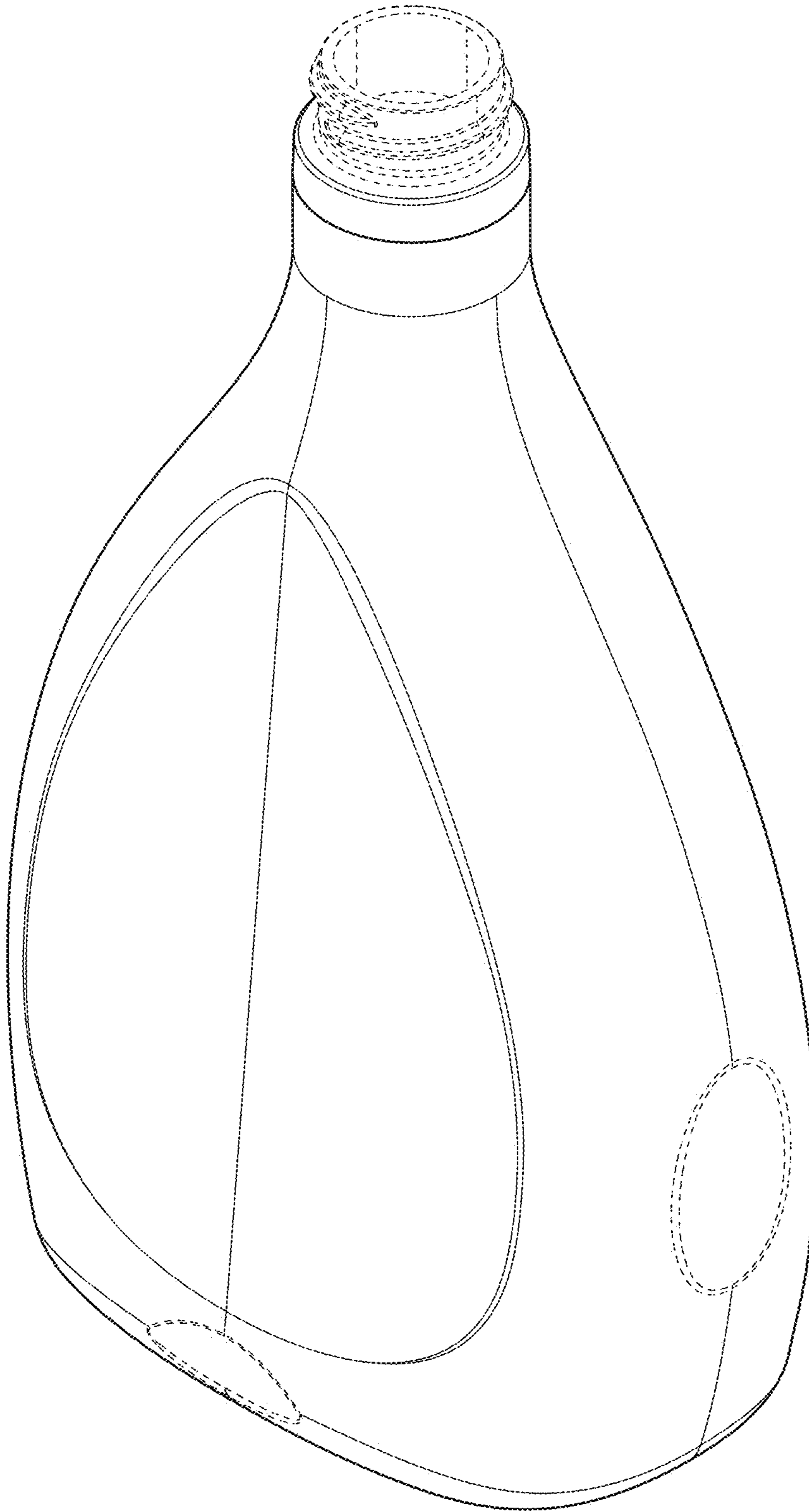


FIG. 9

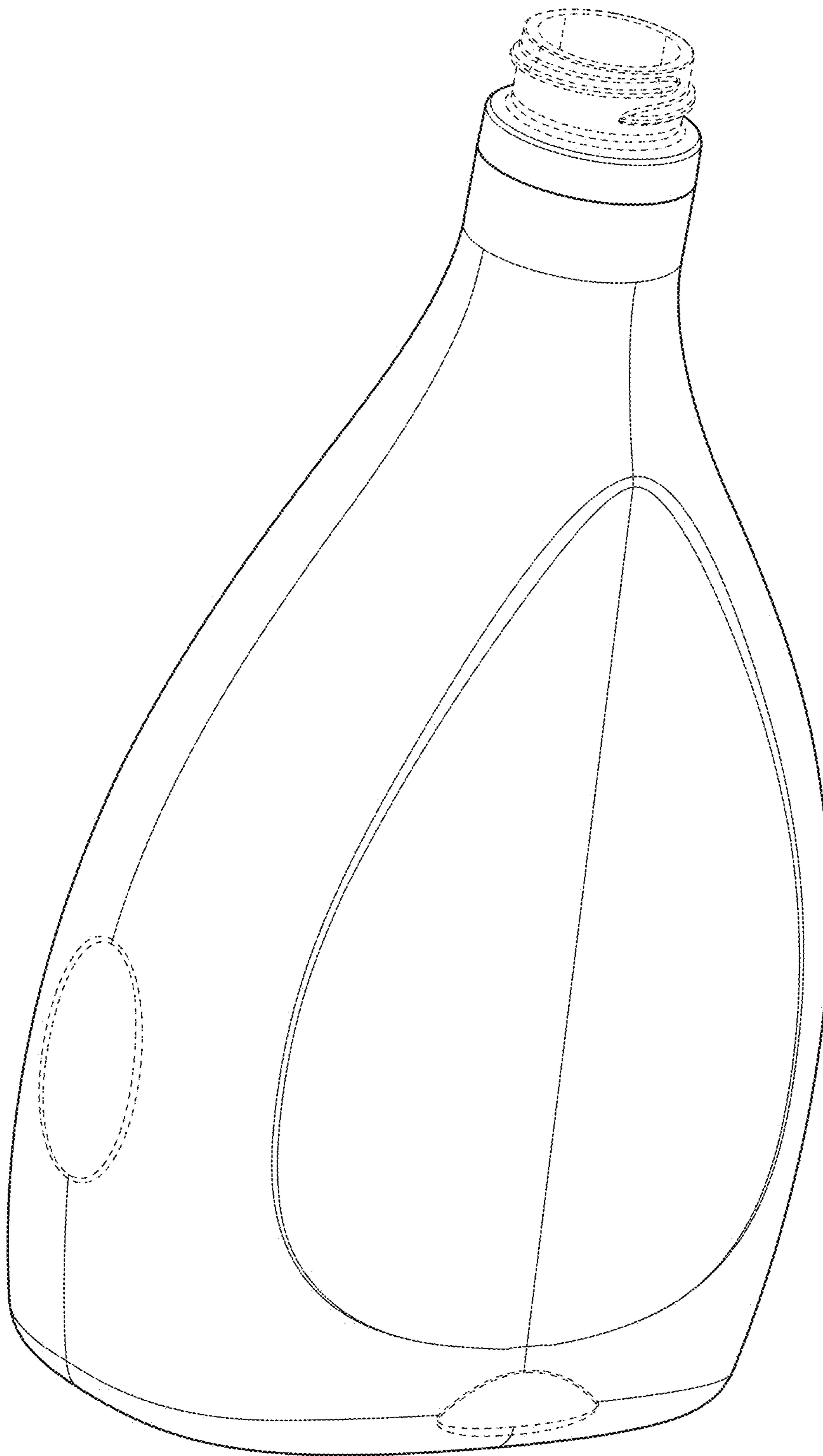


FIG. 10

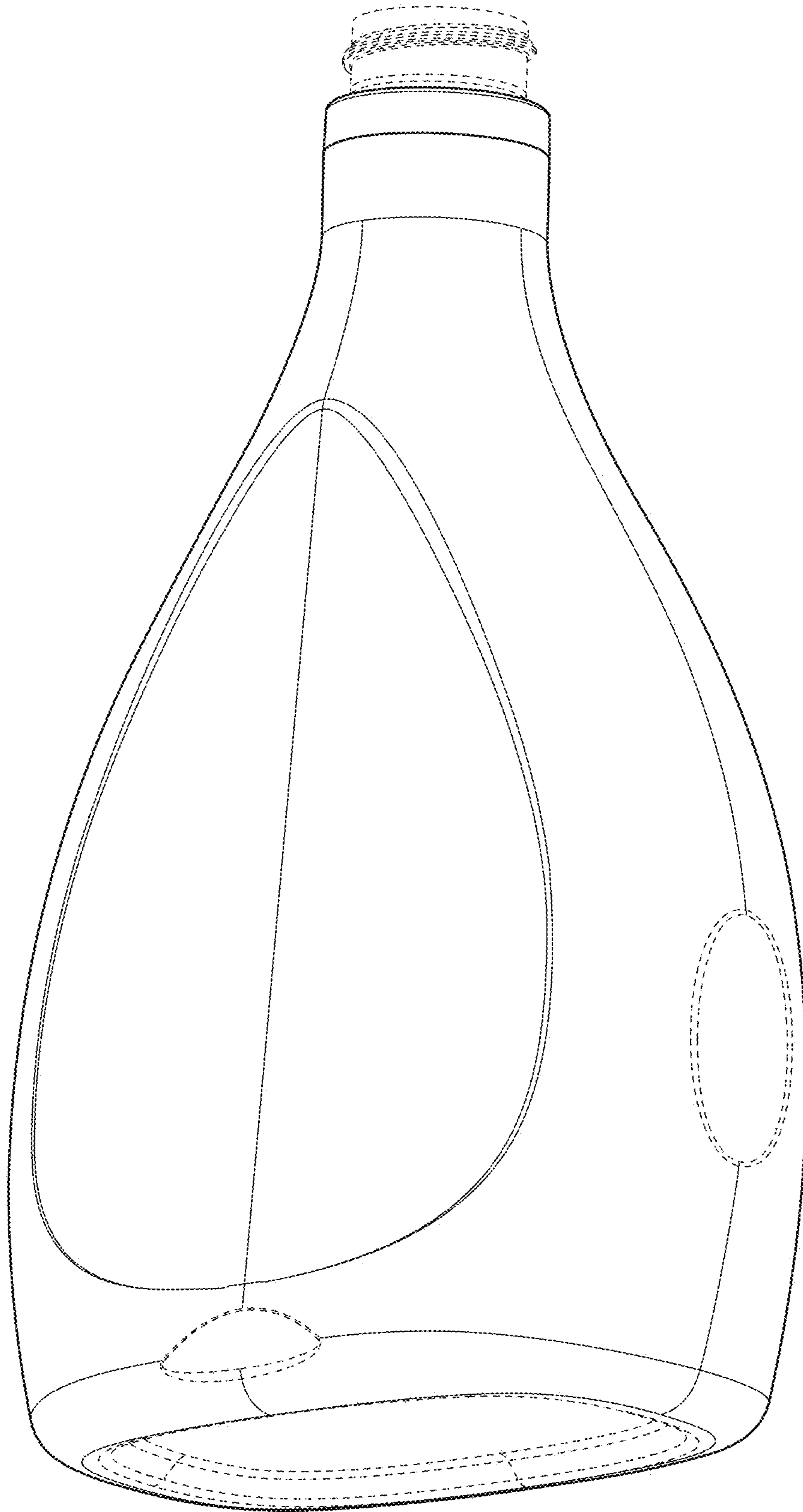


FIG. 11

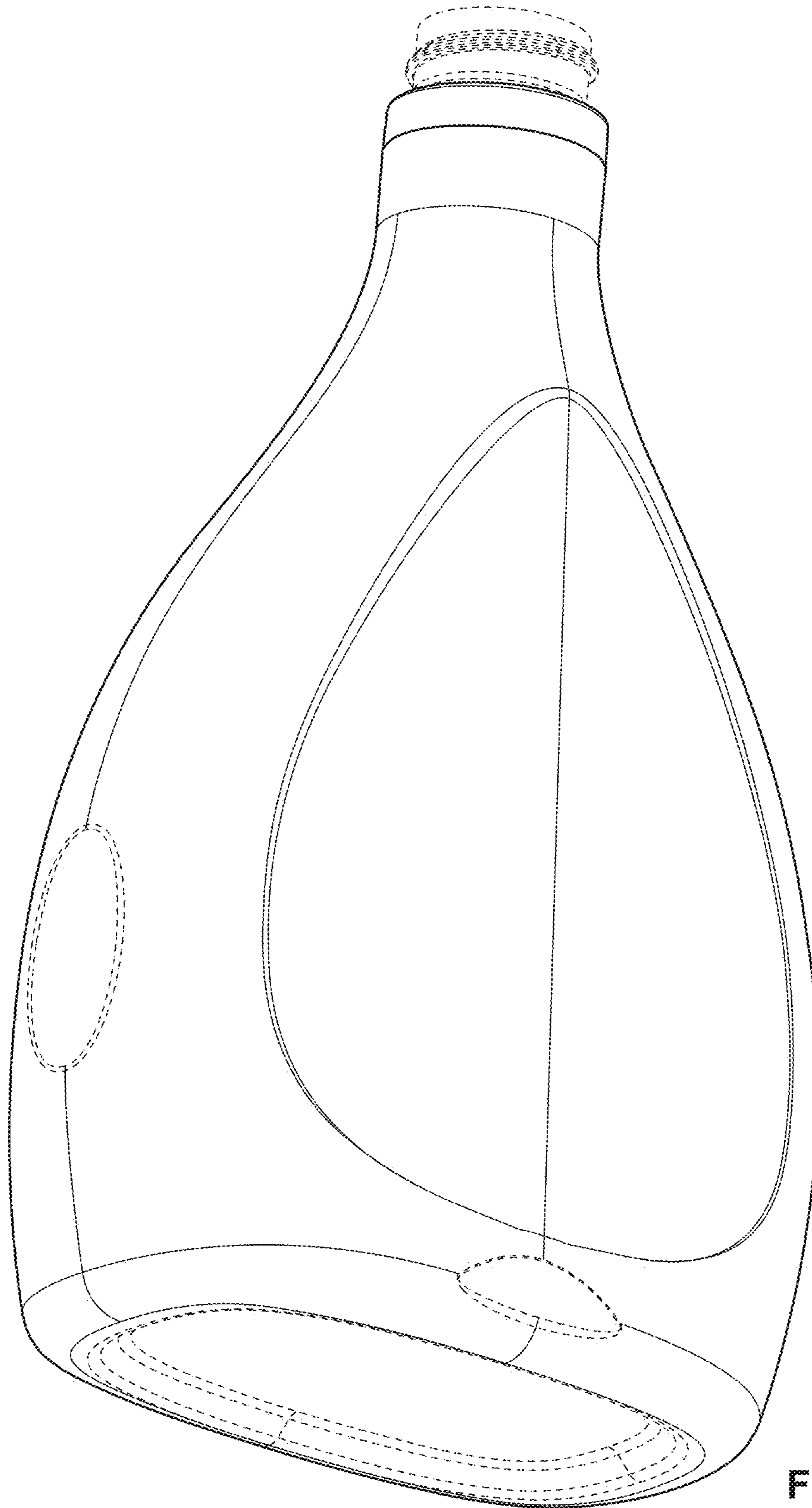


FIG. 12

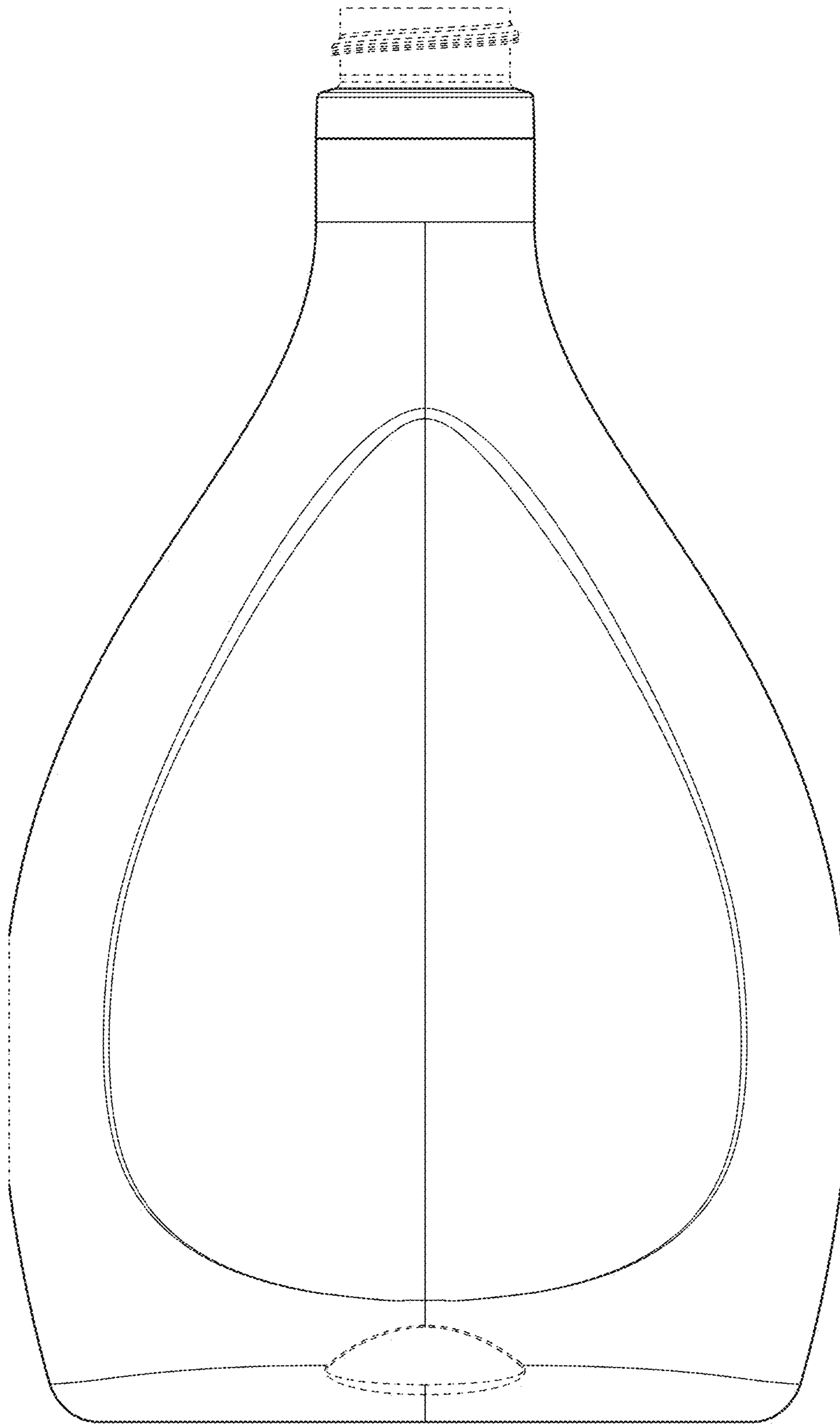


FIG. 13

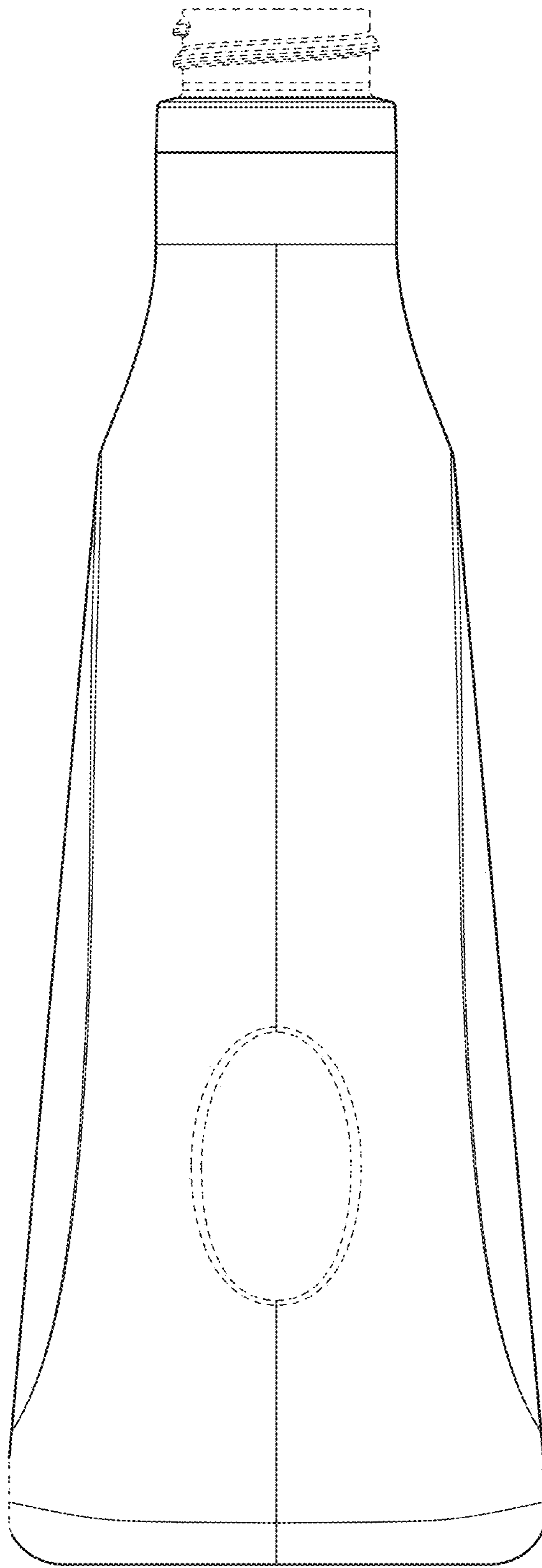


FIG. 14



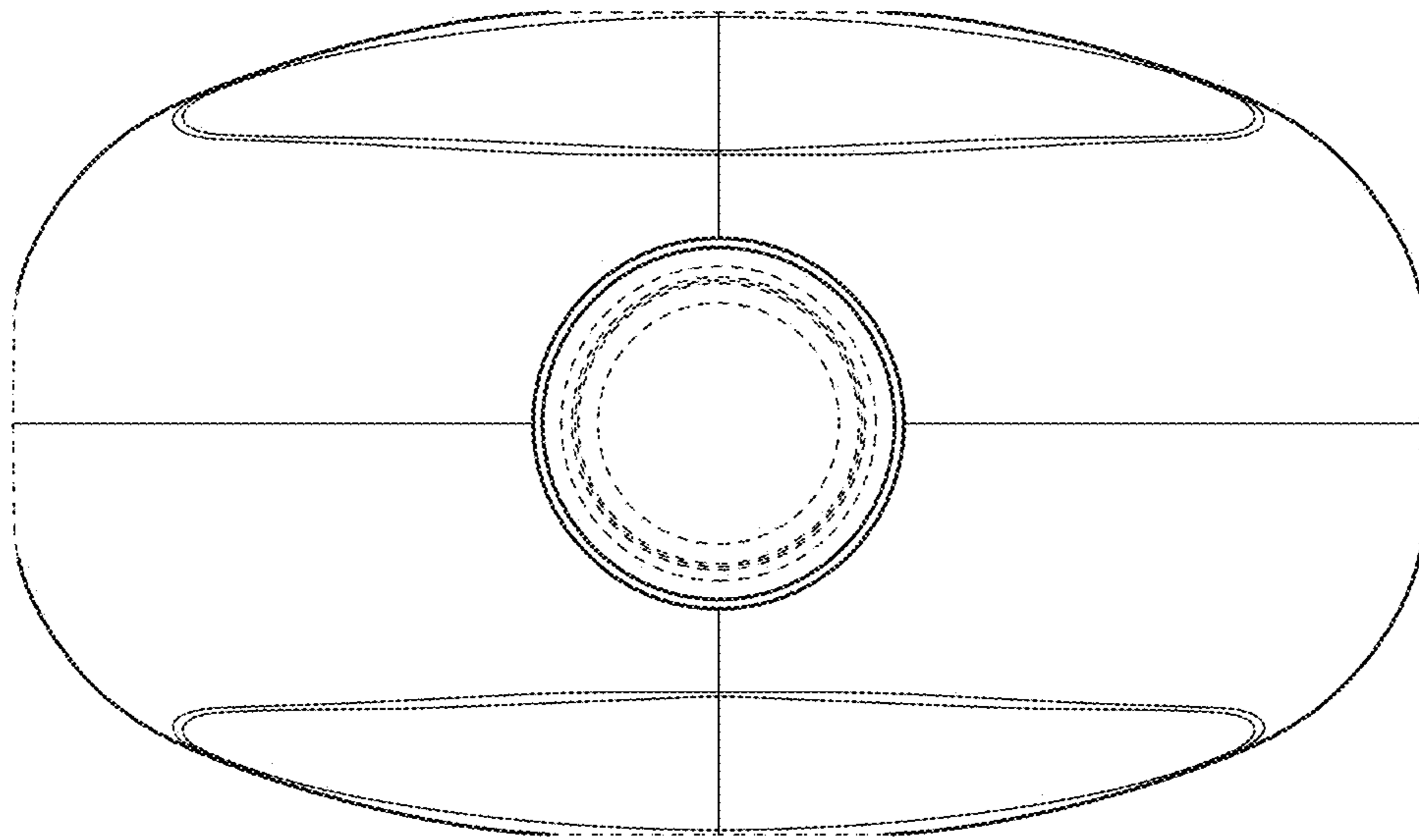


FIG. 15

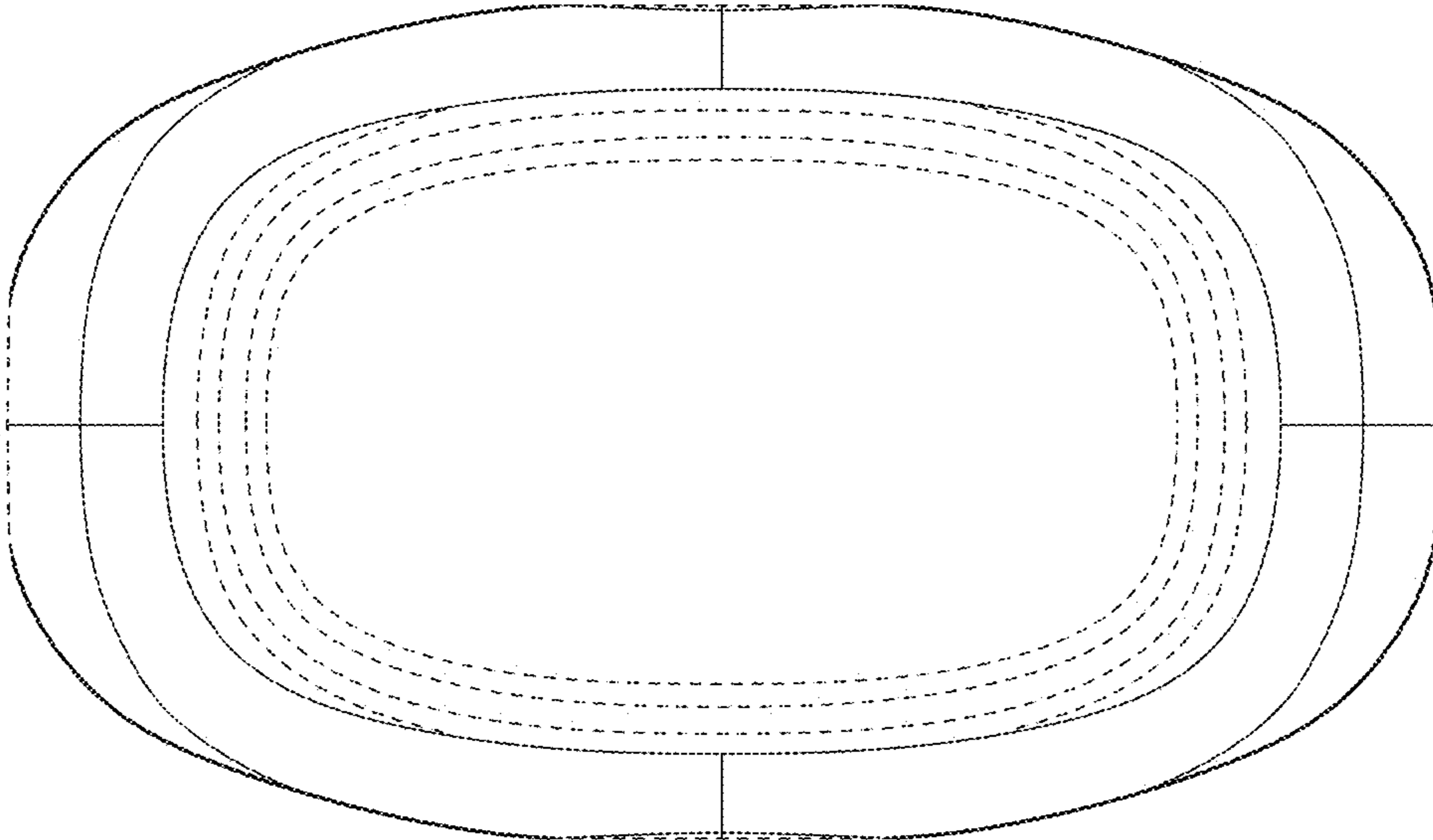


FIG. 16