



US00D871906S

(12) **United States Design Patent**  
**Ramsey**

(10) **Patent No.:** **US D871,906 S**  
(45) **Date of Patent:** **\*\* Jan. 7, 2020**

- (54) **LID FOR A CONTAINER**
- (71) Applicant: **Crown Packaging Technology, Inc.**, Alsip, IL (US)
- (72) Inventor: **Christopher Paul Ramsey**, Wantage (GB)
- (73) Assignee: **Crown Packaging Technology, Inc.**, Alsip, IL (US)
- (\*\*) Term: **15 Years**
- (21) Appl. No.: **29/616,233**
- (22) Filed: **Sep. 5, 2017**
- (30) **Foreign Application Priority Data**  
Mar. 7, 2017 (EM) ..... 003787845-0001
- (51) **LOC (12) Cl.** ..... **09-07**
- (52) **U.S. Cl.**  
USPC ..... **D9/454**
- (58) **Field of Classification Search**  
USPC ..... D3/202; D7/323, 254, 391, 392, 392.1, D7/396.1, 396.2, 396, 503, 552.1, 553.1, D7/553.2, 554, 589, 600.1, 602, 614, 704, D7/401.1, 509, 510, 511, 523, 525, 526, D7/527, 536, 538, 900, 553.6, 555, 624.1, D7/387; D9/434, 435, 436, 437, 438, D9/439, 440, 442, 443, 445, 446, 447, D9/449, 450, 452, 453, 454, 499, 686, D9/688, 690, 708, 709, 723, 724, 763, D9/772; D23/206, 249, 259, 260  
CPC ..... B65D 47/065; B65D 43/02; B65D 43/16; B65D 43/22; B65D 43/26; B65D 47/0885; B65D 47/08; B65D 51/212; B65D 51/18; B65D 51/04; B65D 51/24; B65D 43/0202; B65D 47/265; B65D 51/16; B65D 51/224; B65D 51/242; B65D 51/243; B65D 21/0217; B65D 21/0015; B65D 2251/0093; B65D 1/165; B65D 1/0207; B65D 1/0246; B65D

85/75; B65D 17/165; B65D 41/04; A45F 3/18; A47G 19/00; A47G 19/2272; A47G 19/2205; A47G 19/2222; A47G 19/2266; A47G 19/2294; A47G 19/2288; A47G 21/18

See application file for complete search history.

(56) **References Cited**

**U.S. PATENT DOCUMENTS**

1,717,538 A *	6/1929	Anderson	.....	A47J 45/063
				215/305
1,969,724 A *	8/1934	Brooks	.....	B65D 51/16
				220/364

(Continued)

**OTHER PUBLICATIONS**

Bowl Lid [Hefei Hengxin Environmental Science & Technology Co]: Site Visited Jul. 15, 2018. Available from Internet URL: <http://www.hfhxin.com/en/content/?279.html>.\*

*Primary Examiner* — Jennifer Rivard

*Assistant Examiner* — Catherine S Posthauer

(74) *Attorney, Agent, or Firm* — BakerHostetler

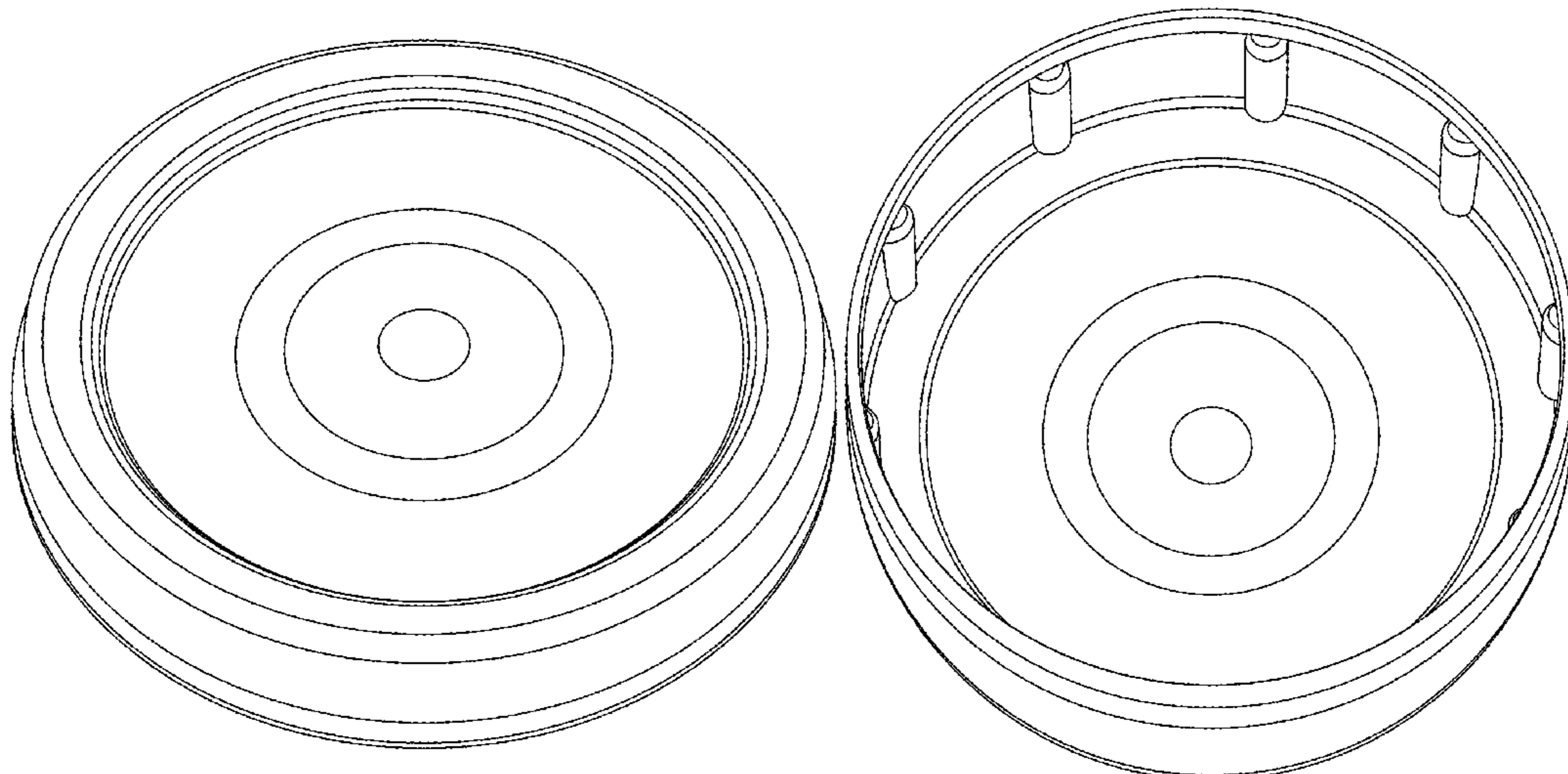
(57) **CLAIM**

I claim the ornamental design for a lid for a container, as shown and described.

**DESCRIPTION**

FIG. 1 is a top plan view of a lid for a container according to my new design.  
FIG. 2 is a bottom plan view thereof;  
FIG. 3 is a left side elevation view thereof, a right side elevation view being identical to the left side elevation view;  
FIG. 4 is a top perspective view thereof; and  
FIG. 5 is a bottom perspective view thereof; and,  
FIG. 6 is a cross-section view of the lid illustrated in FIG. 4 taken along the line 6-6.

**1 Claim, 6 Drawing Sheets**



(56)

References Cited

U.S. PATENT DOCUMENTS

3,302,822 A \* 2/1967 Bryant ..... B65D 43/021  
220/203.09

D241,917 S \* 10/1976 Borum ..... D9/452

D249,935 S \* 10/1978 Williams ..... D9/454

D267,783 S \* 2/1983 Lang ..... D7/624.1

D281,758 S \* 12/1985 Trombly ..... D7/391

D286,026 S \* 10/1986 Rayner ..... D9/435

D352,988 S \* 11/1994 Jan ..... D22/119

D367,957 S \* 3/1996 Lambert ..... D3/273

D381,267 S \* 7/1997 Rush ..... D9/452

D381,268 S \* 7/1997 Rush ..... D9/452

D502,052 S \* 2/2005 Meade ..... D7/388

D642,057 S \* 7/2011 Reed ..... D9/453

D650,669 S \* 12/2011 Dunwoody ..... D9/435

D651,082 S \* 12/2011 Dunwoody ..... D9/435

D677,523 S \* 3/2013 Blckert ..... D7/392.1

D681,867 S \* 5/2013 Wegger ..... D26/124

D682,107 S \* 5/2013 Ramsey ..... D9/452

D697,366 S \* 1/2014 Kristinik ..... D7/392.1

D731,239 S \* 6/2015 Rothfield ..... D7/392.1

D762,475 S \* 8/2016 Turner ..... D9/434

D766,086 S \* 9/2016 Strachan ..... D9/434

9,694,946 B2 \* 7/2017 Kopolas ..... B65D 41/04

D798,248 S \* 9/2017 Hanson ..... D13/182

D801,942 S \* 11/2017 Riker ..... D13/182

2009/0166369 A1 \* 7/2009 Savicki ..... B65D 43/0218  
220/781

2014/0263155 A1 \* 9/2014 Szczesniak ..... B65D 41/385  
215/252

2015/0157535 A1 \* 6/2015 Frishman ..... A61J 1/1412  
604/403

2016/0107796 A1 \* 4/2016 Sibley ..... B65B 29/00  
206/459.5

2016/0152384 A1 \* 6/2016 Kopolas ..... B65D 41/04  
215/333

\* cited by examiner

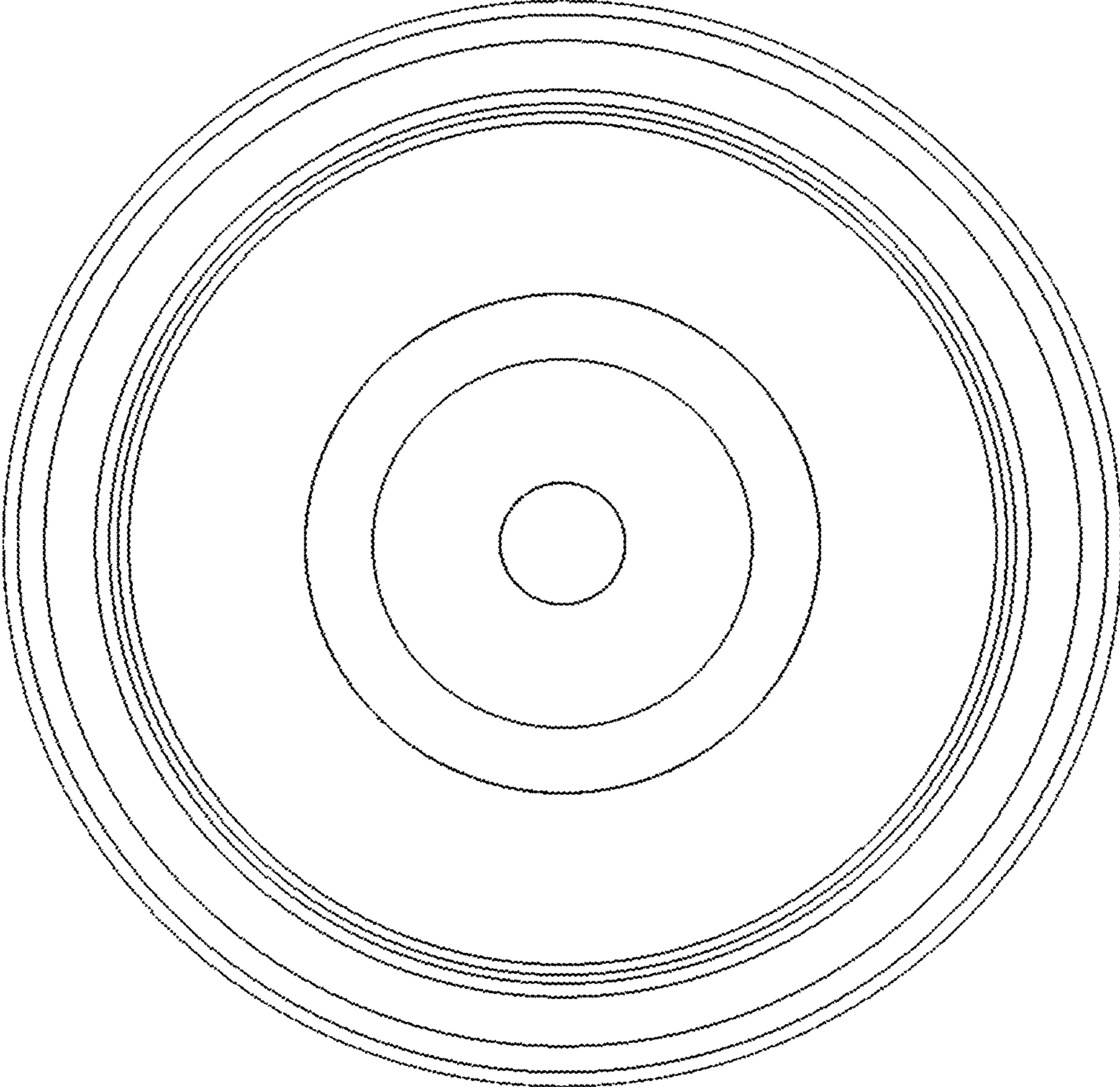


FIG. 1

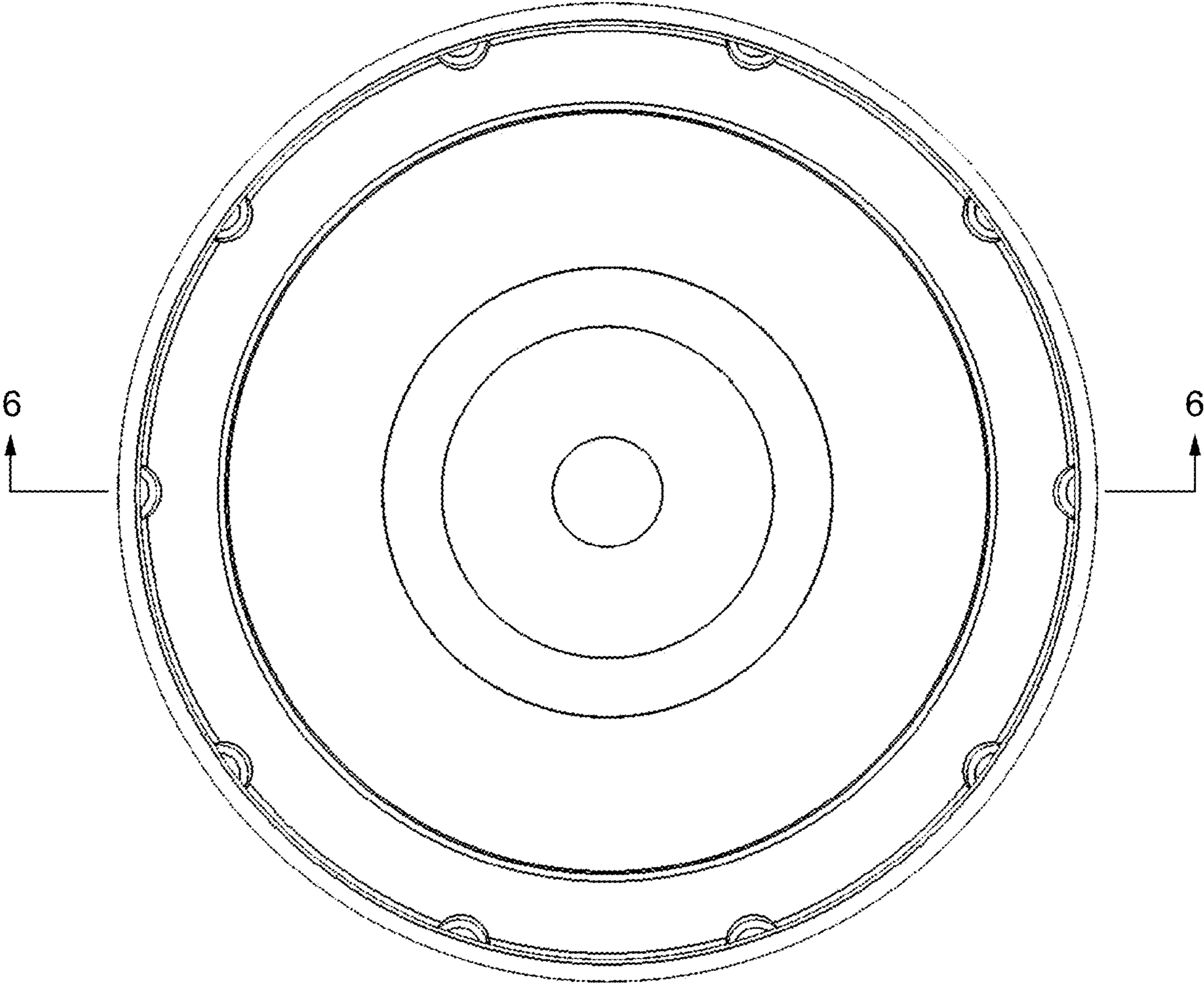


FIG. 2

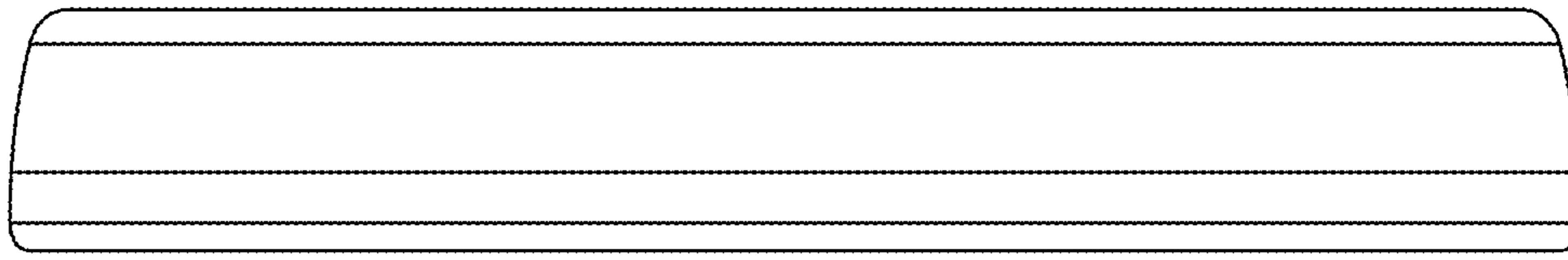


FIG. 3

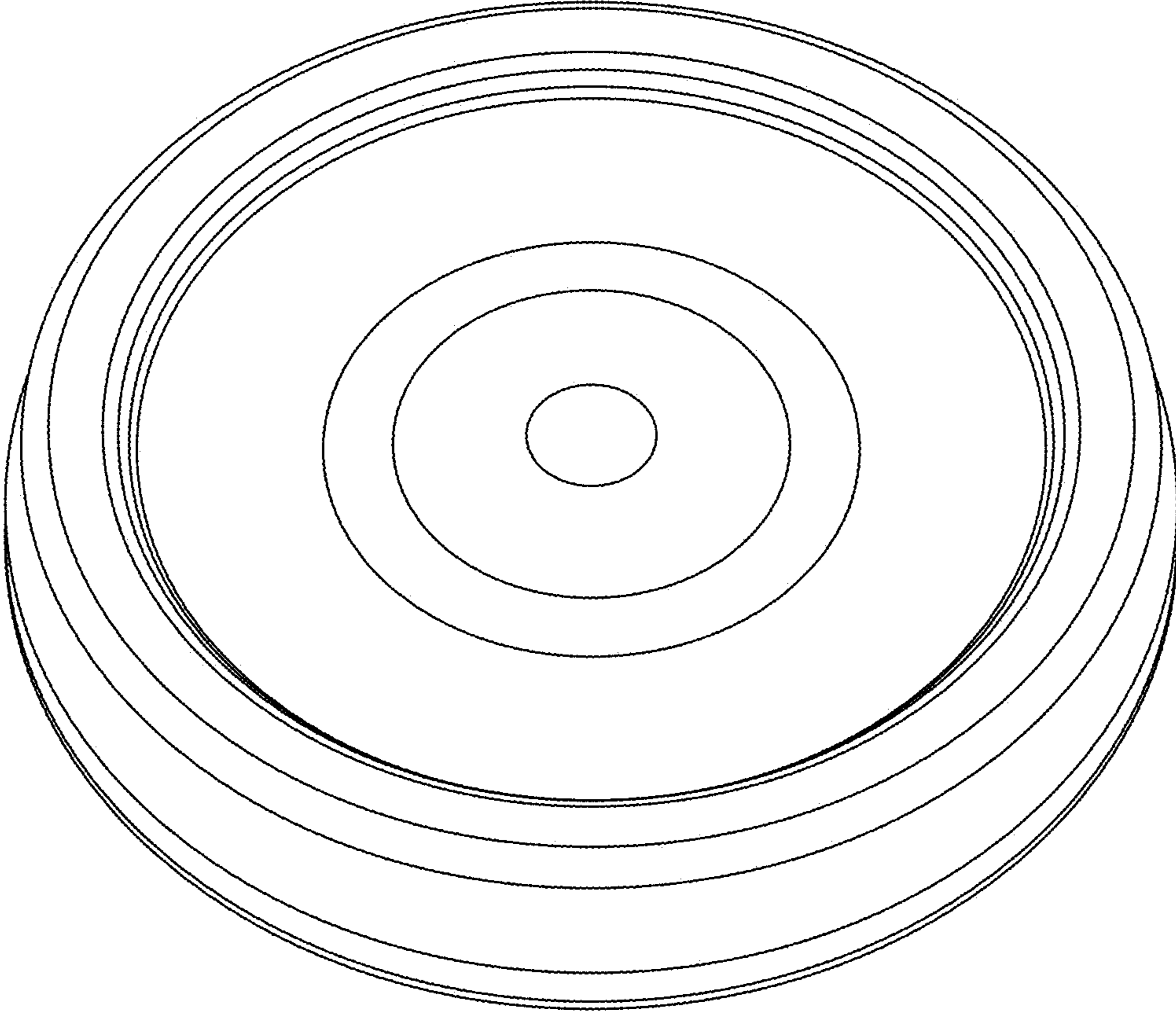


FIG. 4

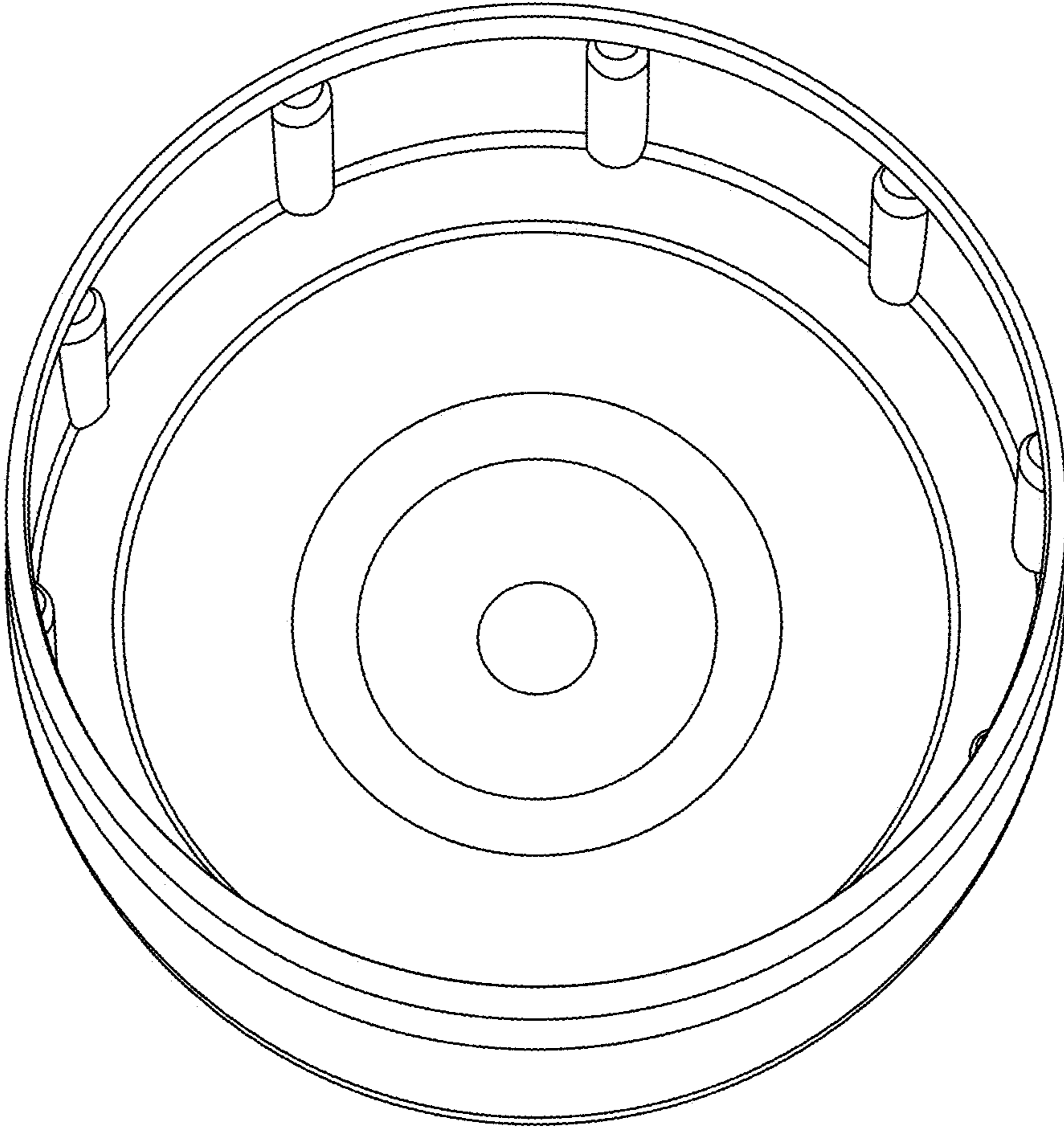


FIG. 5

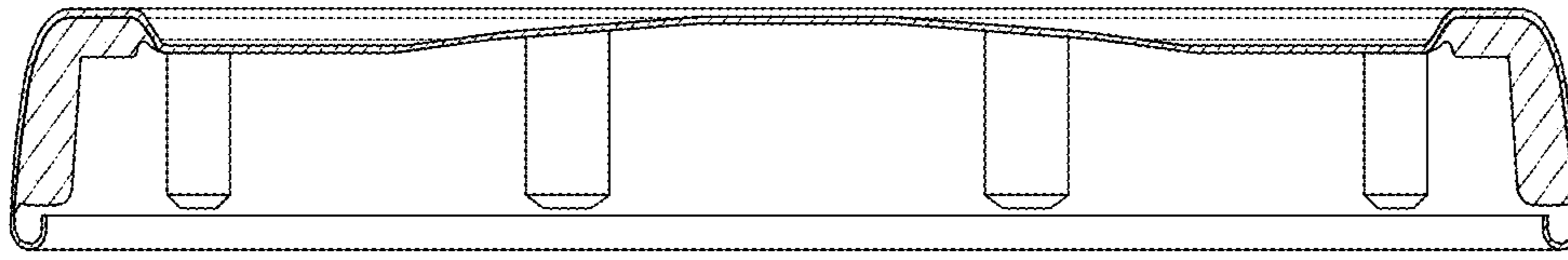


FIG. 6