



US00D871905S

(12) **United States Design Patent**
Kim

(10) **Patent No.:** **US D871,905 S**

(45) **Date of Patent:** **** Jan. 7, 2020**

(54) **CLOSURE**

(71) Applicant: **Silgan White Cap LLC**, Downers Grove, IL (US)

(72) Inventor: **Sungsuk Steve Kim**, Batavia, IL (US)

(73) Assignee: **Silgan White Cap LLC**, Downers Grove, IL (US)

(**) Term: **15 Years**

(21) Appl. No.: **29/583,146**

(22) Filed: **Nov. 2, 2016**

Related U.S. Application Data

(63) Continuation of application No. 14/709,198, filed on May 11, 2015, now abandoned.

(51) **LOC (12) Cl.** **09-07**

(52) **U.S. Cl.**
USPC **D9/453**

(58) **Field of Classification Search**
USPC D3/202, 203.1, 203.2, 272, 273, 294, D3/318; D7/300, 300.1, 316, 317, 387, D7/391, 392.1, 393, 396, 396.1, 396.2, D7/401.1, 509, 510, 511, 523, 525-531, D7/538, 541, 549, 629, 703, 900, 323, D7/354, 359, 503, 550.1, 552.1, 553.1, D7/553.2, 554, 566, 568, 589, 600.1, 602, D7/614, 704; D8/349, 350, 352, 382; D9/414, 424, 427, 430, 432, 433, 434, D9/435, 436, 438, 439, 440, 443, 446, D9/447, 448, 449, 450, 452, 453, 454, D9/456, 499, 502, 503, 504, 516, 517, D9/529, 686, 688, 690, 708, 709, 723, D9/724, 763, 772; D23/206, 249, 259, D23/260; D24/121, 127, 299, 224; D28/7, 76, 78, 82, 85, 91

CPC B65D 41/34; B65D 53/02; B65D 50/041; B65D 23/00; B65D 1/00; B65D 1/02; B65D 1/0223; B65D 2501/00; B65D 2501/0009; B65D 83/06

See application file for complete search history.

(56) **References Cited**

U.S. PATENT DOCUMENTS

2,001,248 A * 5/1935 Greene B65D 51/18
220/255
4,346,812 A * 8/1982 Banich, Sr. B65D 41/04
215/352
4,981,230 A 1/1991 Marshall et al.
(Continued)

OTHER PUBLICATIONS

Silgan Closures Aseptic Plasti-Twist: Announced Jan. 9, 2018 [online]. Site Visited [Apr. 15, 2019]. Available from Internet URL:http://plastics.silgan-closures.com/eu_en/product/38CVT.*

(Continued)

Primary Examiner — Jennifer Rivard

Assistant Examiner — Catherine S Posthauer

(74) *Attorney, Agent, or Firm* — Reinhart Boerner Van Deuren s.c.

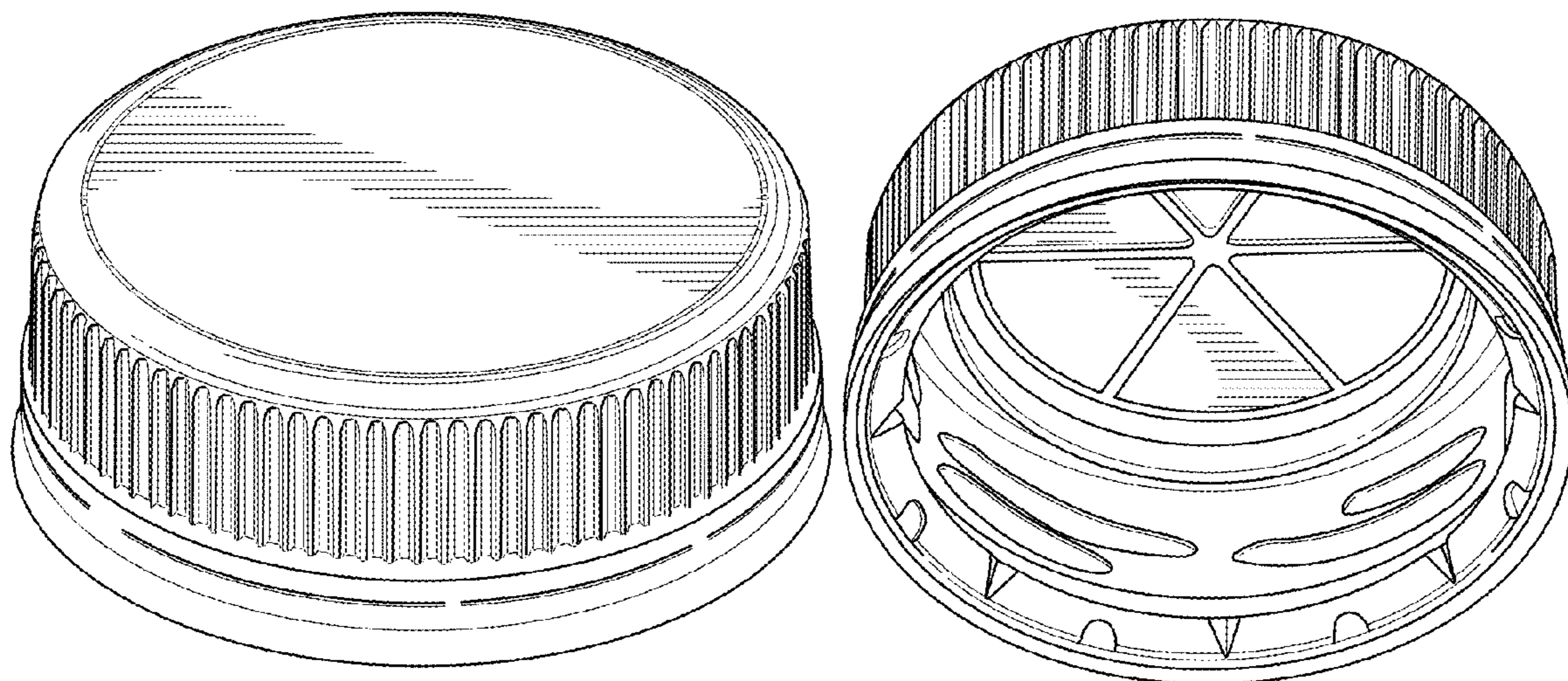
(57) **CLAIM**

I claim the ornamental design for a closure, as shown and described.

DESCRIPTION

FIG. 1 is a top perspective view of a closure, showing my new design;
FIG. 2 is a bottom perspective view thereof;
FIG. 3 is a bottom plan view thereof;
FIG. 4 is a cross-sectional view of the closure, taken along line 4-4 in the direction indicated by line 4-4 in FIG. 3; and,
FIG. 5 is a cross-sectional view of the closure, taken along line 5-5 in the direction indicated by line 5-5 in FIG. 3.

1 Claim, 2 Drawing Sheets



(56)

References Cited

U.S. PATENT DOCUMENTS

D315,507 S * 3/1991 Ochs D9/453
 D318,804 S * 8/1991 Ochs D9/453
 5,197,620 A 3/1993 Gregory
 5,388,731 A 2/1995 Mengeu et al.
 5,542,556 A * 8/1996 Ohmi B65D 41/04
 215/252
 5,810,184 A 9/1998 Adams et al.
 5,858,141 A 1/1999 Repp et al.
 5,913,437 A 6/1999 Ma
 5,915,574 A 6/1999 Adams et al.
 5,957,312 A 9/1999 Adams et al.
 6,062,441 A 5/2000 Mengeu et al.
 D427,068 S * 6/2000 Hierzer D9/436
 6,112,923 A 9/2000 Ma
 6,394,293 B1 * 5/2002 Hierzer B65D 51/245
 206/459.5
 D460,357 S 7/2002 Kras et al.
 D465,731 S * 11/2002 Brant D9/453
 6,484,896 B2 11/2002 Ma
 6,497,337 B1 12/2002 Kehe
 6,581,793 B1 * 6/2003 Racine B65D 41/045
 215/252
 6,659,297 B2 * 12/2003 Gregory B65D 41/045
 215/252
 6,677,397 B1 1/2004 Baranowski et al.
 6,766,916 B2 7/2004 Ma
 6,964,346 B1 11/2005 Taber et al.
 6,981,602 B2 1/2006 Ma et al.
 D518,717 S * 4/2006 German D9/453
 D519,030 S * 4/2006 Matsuda D9/453
 D534,802 S * 1/2007 German D9/453
 7,306,108 B2 * 12/2007 Cleevly B29C 43/18
 215/252
 7,367,465 B2 5/2008 Taber et al.
 D574,240 S * 8/2008 Szczesniak D9/453
 D578,889 S * 10/2008 Sadiq D9/453
 D584,149 S 1/2009 Lohrman et al.
 D606,864 S * 12/2009 Robinson D9/453
 D613,162 S * 4/2010 Druitt D9/453
 D632,958 S * 2/2011 Fuchs D9/453
 D633,386 S 3/2011 Taber et al.
 D634,199 S 3/2011 Taber et al.
 D634,200 S 3/2011 Taber et al.
 D681,465 S * 5/2013 Cox D9/441
 D687,299 S * 8/2013 Peykoff D9/453
 D693,684 S * 11/2013 Ramsey D9/453
 D693,685 S * 11/2013 Ramsey D9/453

8,672,158 B2 3/2014 Taber et al.
 D718,127 S * 11/2014 Moriyama D9/438
 D723,919 S 3/2015 Taber et al.
 D727,152 S * 4/2015 Yaseen D9/454
 D762,115 S * 7/2016 Corvaglia D9/443
 D792,219 S * 7/2017 Bueno Nunez D9/453
 2001/0027957 A1 * 10/2001 Kano B65D 41/0421
 215/341
 2002/0158037 A1 * 10/2002 Kano B65D 41/0421
 215/341
 2003/0132244 A1 * 7/2003 Birkmayer B65D 41/3442
 222/83
 2006/0255002 A1 11/2006 Takamatsu et al.
 2007/0075083 A1 * 4/2007 McClellan B65D 51/18
 220/258.2
 2008/0067142 A1 * 3/2008 Druitt B65D 41/04
 215/324
 2008/0087625 A1 * 4/2008 Kumata B65D 41/0485
 215/252
 2008/0149586 A1 * 6/2008 Loughrin B65D 41/3409
 215/252
 2008/0173611 A1 7/2008 Neputy et al.
 2011/0290754 A1 * 12/2011 Taber B65D 41/04
 215/329
 2011/0290755 A1 12/2011 Taber et al.
 2012/0261420 A1 * 10/2012 Taber B65D 41/04
 220/351
 2013/0205718 A1 8/2013 Kopolas
 2013/0313218 A1 * 11/2013 Cox B65D 41/0485
 215/246
 2014/0001182 A1 * 1/2014 Wood B65D 41/04
 220/254.1
 2014/0158660 A1 * 6/2014 Wood B65D 41/0421
 215/252
 2014/0263335 A1 9/2014 Taber et al.
 2015/0102033 A1 4/2015 Banovic
 2015/0122769 A1 * 5/2015 Taber B65D 51/145
 215/350
 2015/0266631 A1 * 9/2015 Wohlgenannt B65D 1/0246
 215/44
 2016/0122066 A1 5/2016 DiBiasio
 2016/0332783 A1 * 11/2016 Kim B65D 41/34
 2017/0174398 A1 * 6/2017 Cox B65D 41/0471

OTHER PUBLICATIONS

U.S. Appl. No. 14/709,198, filed May 11, 2015, Sunguk, Steve Kim.

* cited by examiner

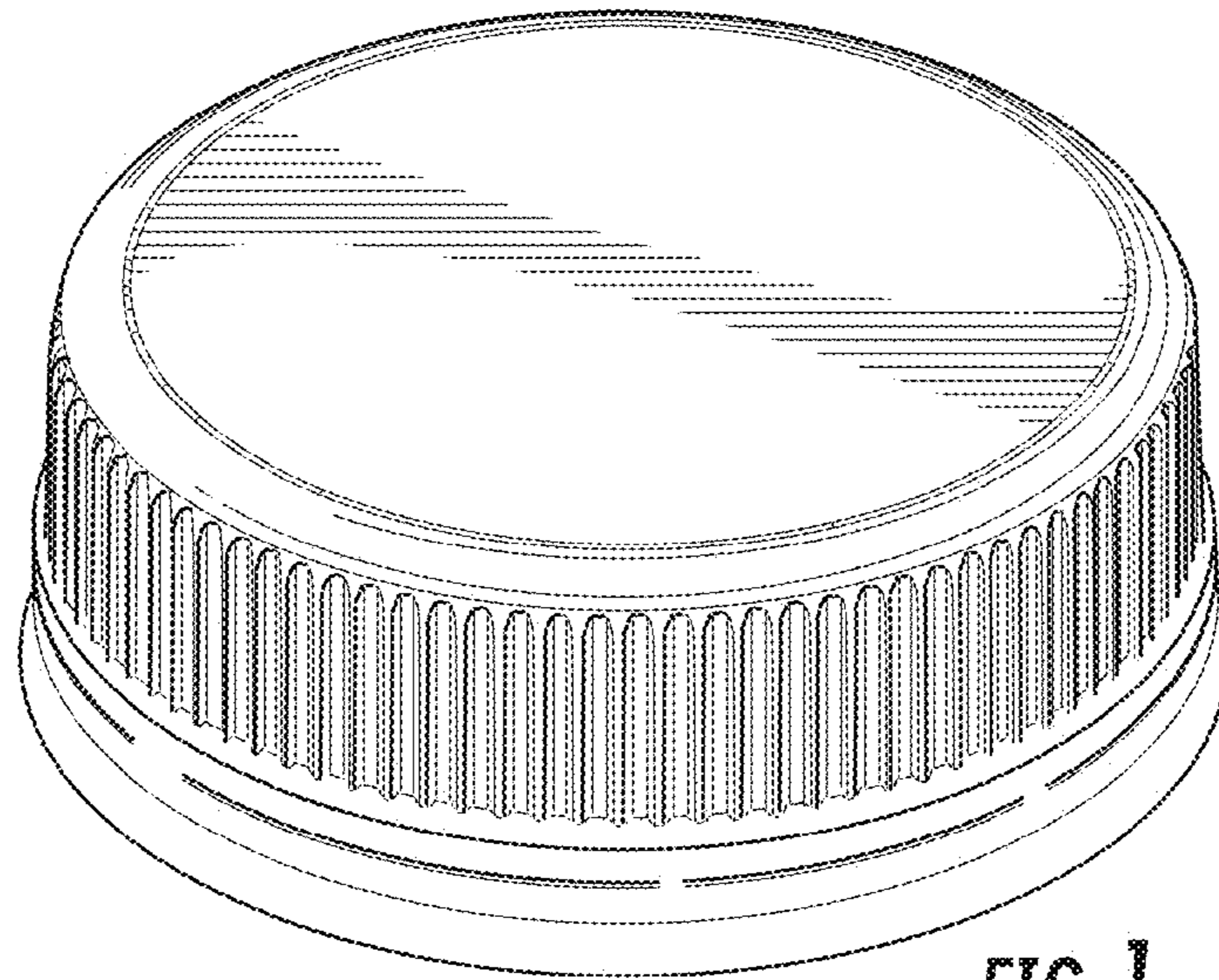


FIG. 1

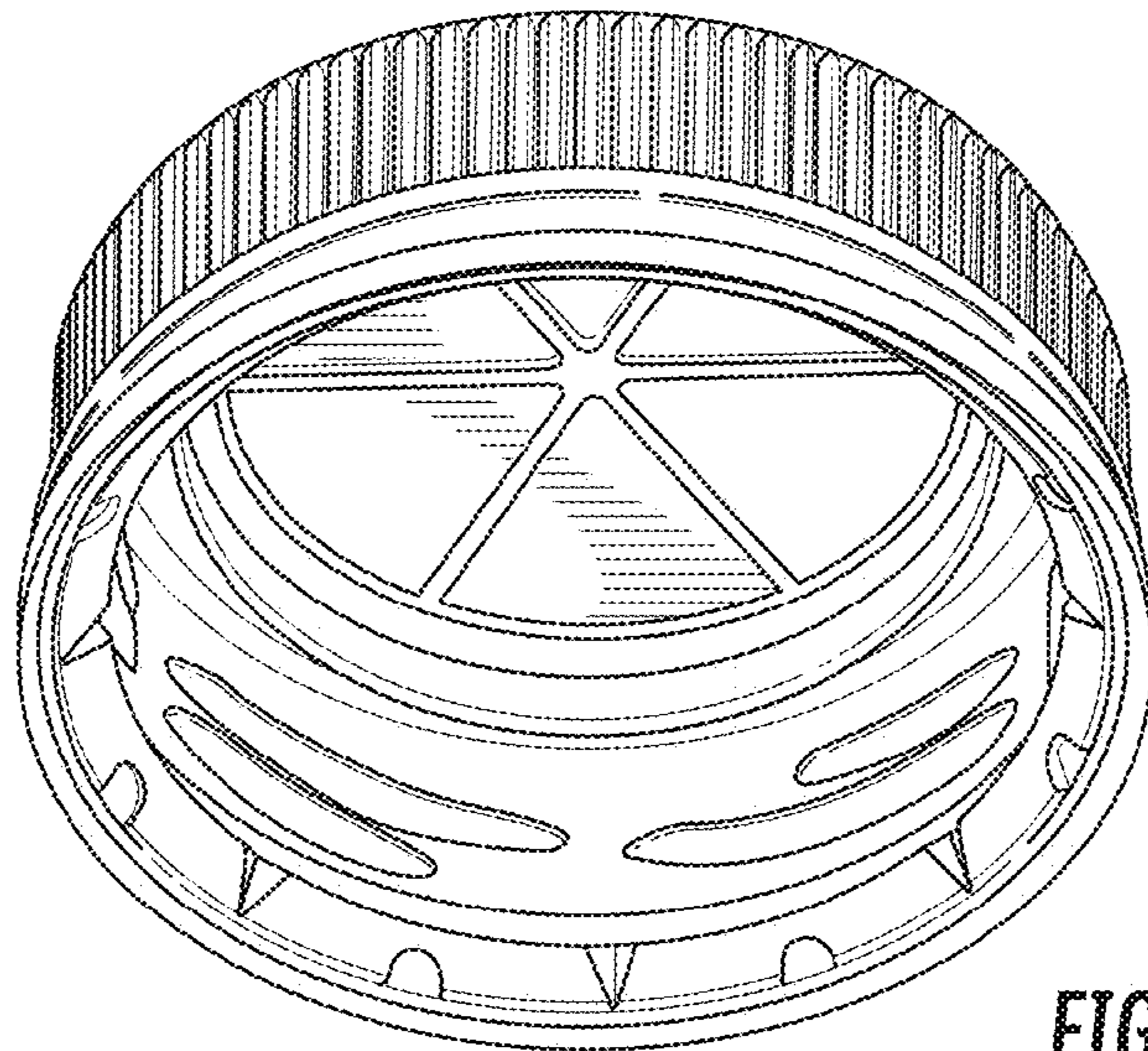


FIG. 2

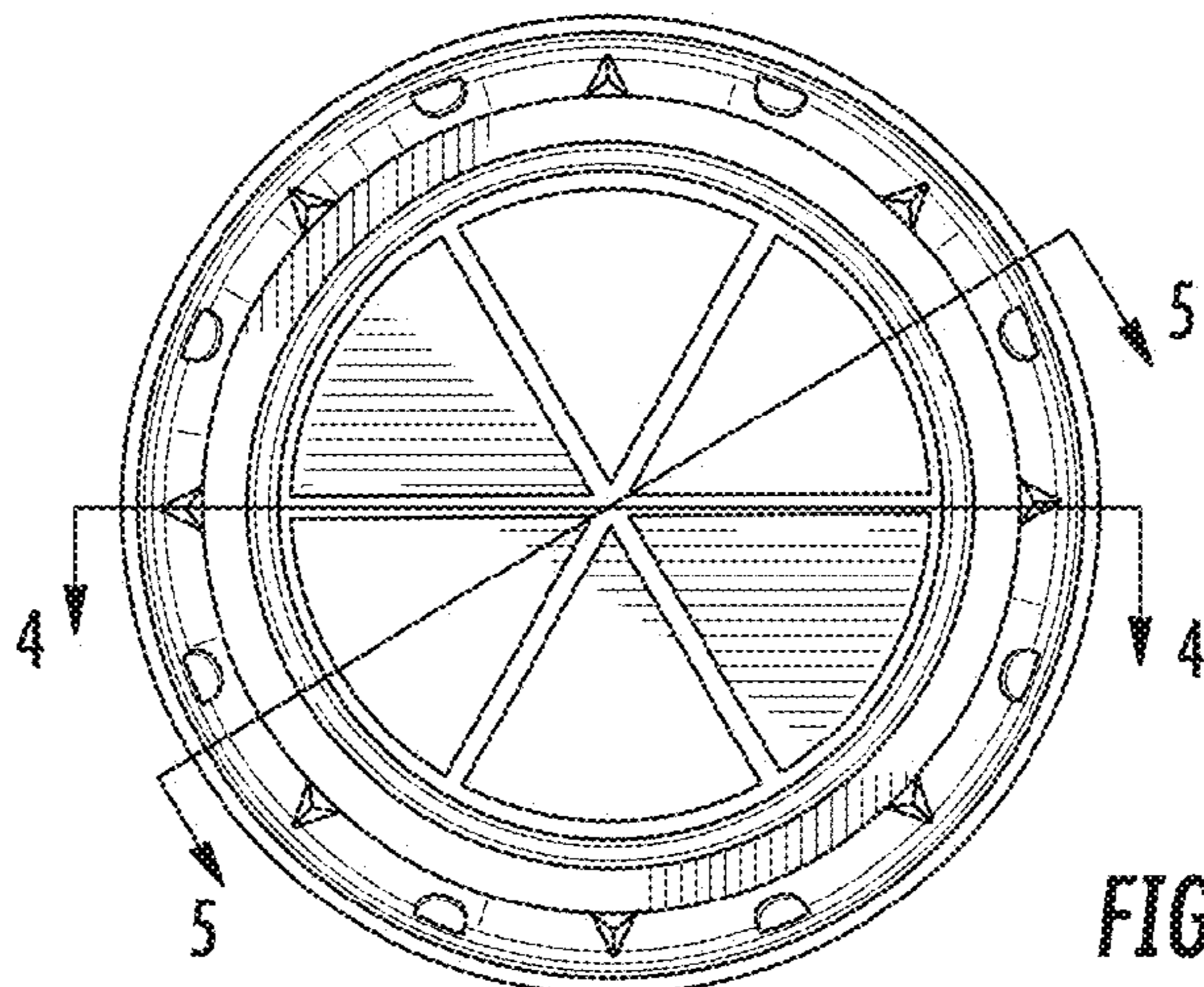


FIG. 3

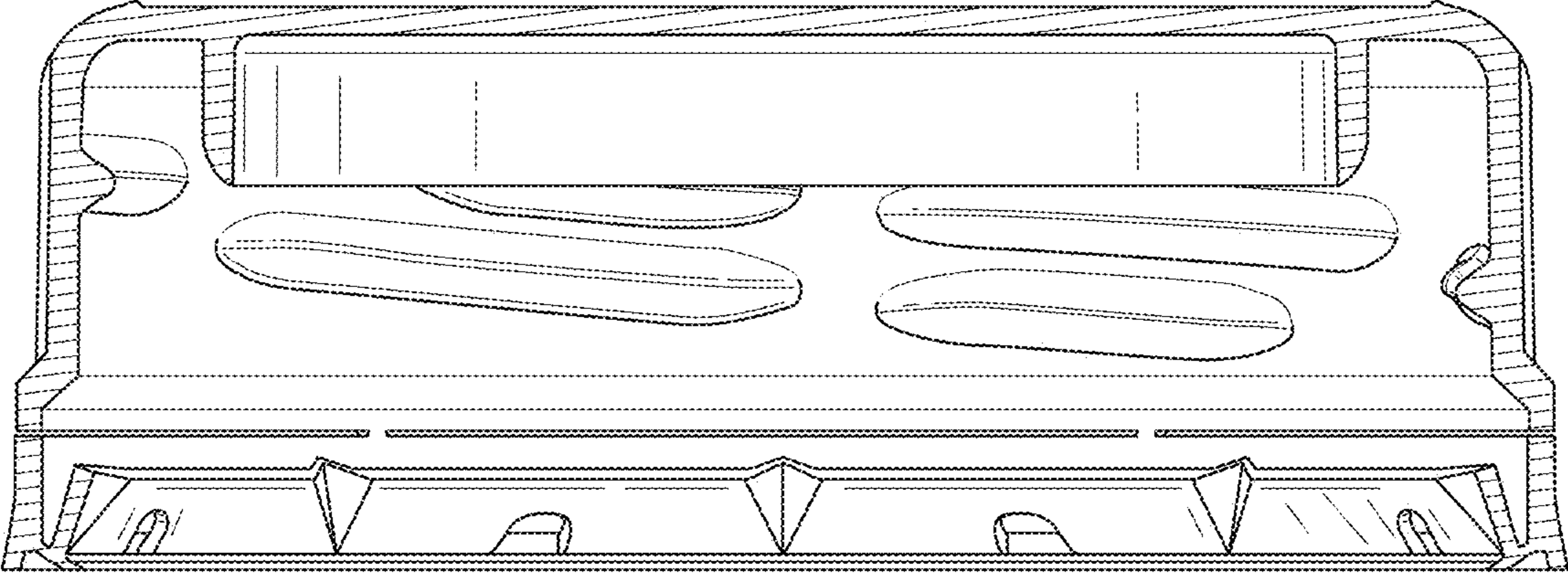


FIG. 4

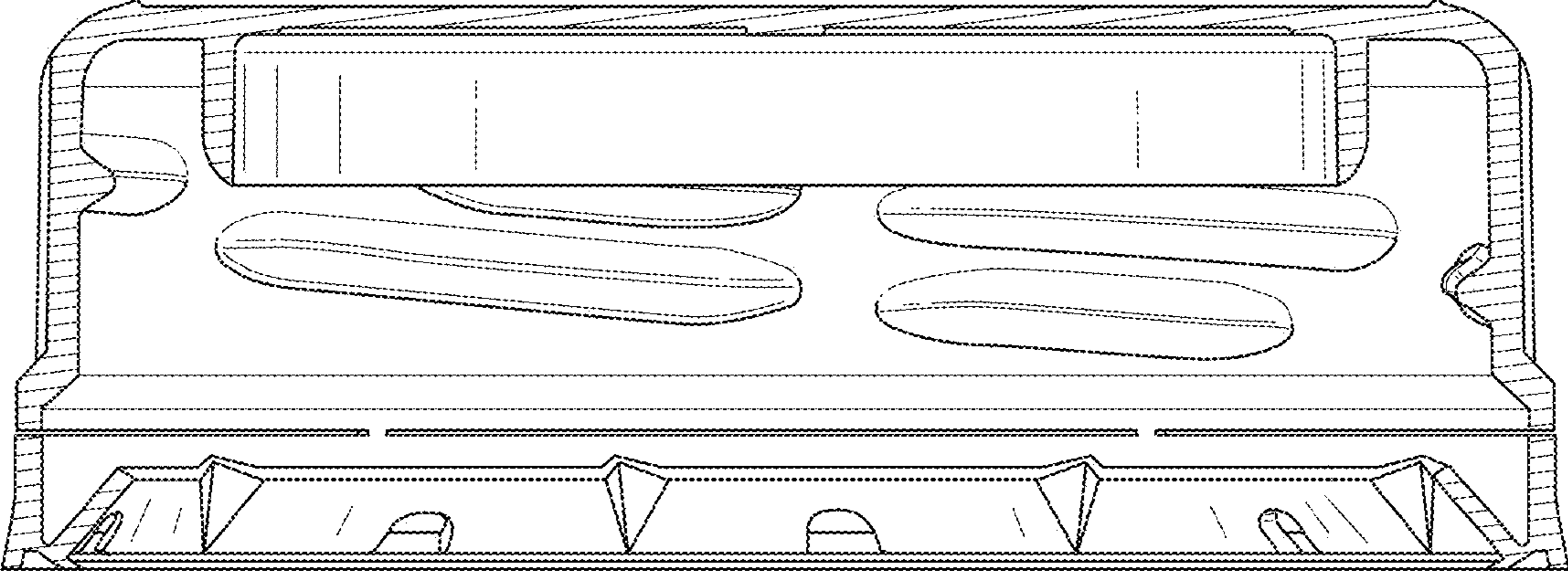


FIG. 5