



US00D871904S

(12) **United States Design Patent**
Berge et al.

(10) **Patent No.:** **US D871,904 S**
(45) **Date of Patent:** **** Jan. 7, 2020**

(54) **CLOSURE**

- (71) Applicant: **Silgan White Cap LLC**, Downers Grove, IL (US)
- (72) Inventors: **Gary L. Berge**, Crystal Lake, IL (US); **Thomas Patrick Hennessy**, Naperville, IL (US)
- (73) Assignee: **Silgan White Cap LLC**, Downers Grove, IL (US)

(**) Term: **15 Years**

(21) Appl. No.: **29/589,960**

(22) Filed: **Jan. 5, 2017**

(51) **LOC (12) Cl.** **09-07**

(52) **U.S. Cl.**
USPC **D9/449**

(58) **Field of Classification Search**
USPC D3/202, 203.1, 203.2, 318, 273, 275,
D3/294; D7/300, 300.1, 216, 317, 387,
(Continued)

(56) **References Cited**

U.S. PATENT DOCUMENTS

- 3,113,706 A 12/1963 Wickman
 - 3,744,675 A 7/1973 Song
- (Continued)

FOREIGN PATENT DOCUMENTS

- CH 707697 A2 * 9/2014 B65D 47/0814
- WO WO-2007006954 A1 * 1/2007 B65D 47/043

OTHER PUBLICATIONS

Flip Top Creamer Closure: Site Visited Jan. 25, 2018. Available from Internet URL: <https://silgancls.com/wp-content/uploads/2017/02/Silgan-Closures-Flip-top-creamers-closures1.pdf>.*

(Continued)

Primary Examiner — Jennifer Rivard
Assistant Examiner — Catherine S Posthauer
(74) *Attorney, Agent, or Firm* — Reinhart Boerner Van Deuren s.c.

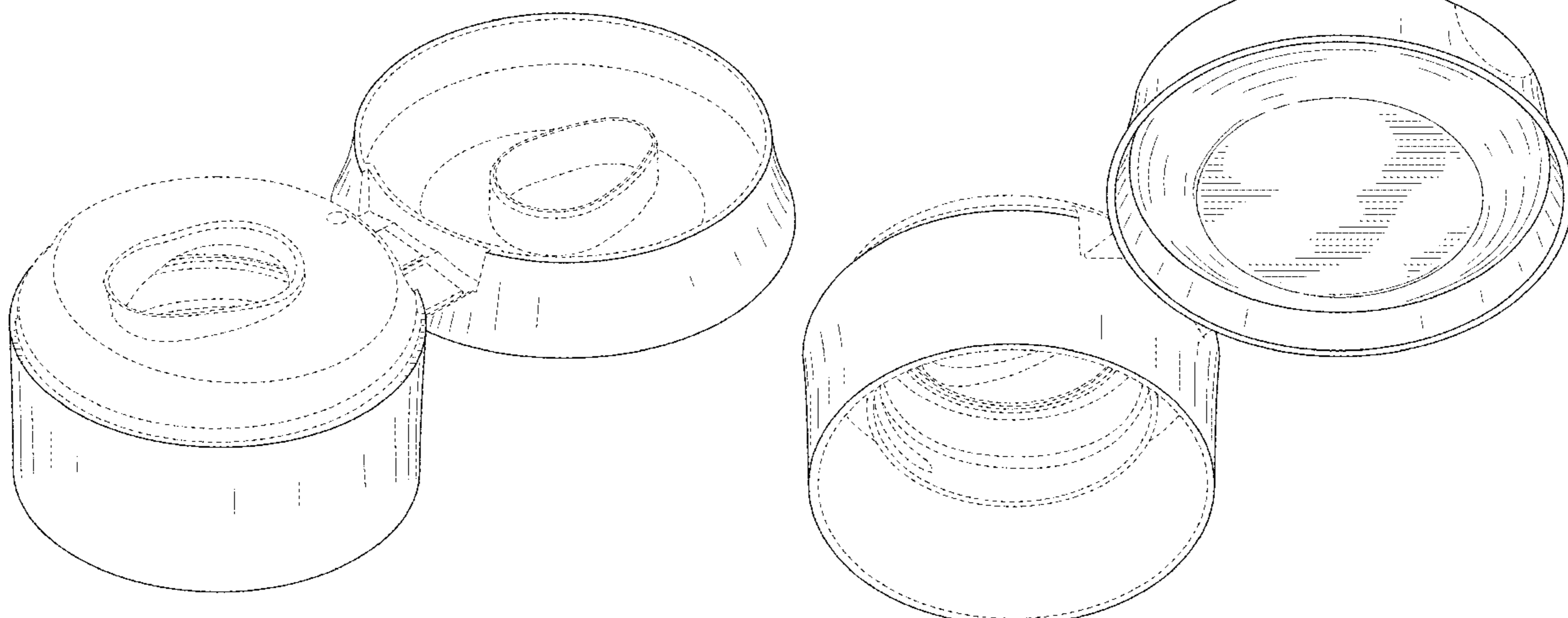
(57) **CLAIM**

We claim the ornamental design for a closure, as shown and described.

DESCRIPTION

FIG. 1 is a top perspective view of the claimed design showing the closure in an open configuration;
 FIG. 2 is a bottom perspective view of the claimed design of FIG. 1;
 FIG. 3 is a right side view of the claimed design of FIG. 1;
 FIG. 4 is a left side view of the claimed design of FIG. 1;
 FIG. 5 is a front view of the claimed design of FIG. 1;
 FIG. 6 is a rear view of the claimed design of FIG. 1;
 FIG. 7 is a top view of the claimed design of FIG. 1;
 FIG. 8 is a bottom view of the claimed design of FIG. 1;
 FIG. 9 is a top perspective view of claimed design of FIG. 1 showing the cap of the closure hinged at an angle relative to the base to the closure;
 FIG. 10 is a top perspective view of the claimed design of FIG. 1 showing the closure in a closed configuration;
 FIG. 11 is a bottom perspective view of the claimed design of FIG. 10;
 FIG. 12 is a right side view of the claimed design of FIG. 10;
 FIG. 13 is a left side view of the claimed design of FIG. 10;
 FIG. 14 is a front view of the claimed design of FIG. 10;
 FIG. 15 is a rear view of the claimed design of FIG. 10;
 FIG. 16 is a top view of the claimed design of FIG. 10; and
 FIG. 17 is a bottom view of the claimed design of FIG. 10.
 The ornamental design which is claimed is shown in solid lines in the drawings. The broken lines are shown for the purpose of illustrating parts of the article that form no part of the claim.

1 Claim, 12 Drawing Sheets



(58) **Field of Classification Search**

USPC .. D7/391, 391.2, 393, 396.2, 509, 510, 511,
D7/523, 525-531, 538, 541, 549, 629,
D7/703, 900; D9/434, 435, 436, 438,
D9/439, 440, 443, 446, 447, 448, 449,
D9/450, 452, 453, 454, 502, 503, 504,
D9/516, 517, 529; D19/70, 71, 115, 93,
D19/162, 163, 165, 192, 194; D26/36,
D26/123, 124; D24/121, 127, 299, 224;
D28/7, 76, 78, 82, 85, 91; D34/1, 7, 10,
D34/11, 29

CPC B65D 50/041; B65D 23/00; B65D 1/00;
B65D 1/02; B65D 1/0223; B65D 83/06;
A47G 18/22; A47G 18/23

See application file for complete search history.

(56) **References Cited**

U.S. PATENT DOCUMENTS

4,638,916 A 1/1987 Beck et al.
4,759,455 A 7/1988 Wilson
D306,265 S 2/1990 Leebeek
D306,701 S 3/1990 Beck
D374,399 S * 10/1996 Neveras D9/442
D436,040 S 1/2001 Warner et al.
D455,077 S 4/2002 Gaiser et al.
6,367,670 B1 4/2002 Warner et al.
6,510,971 B1 1/2003 Martin
D471,456 S * 3/2003 Young D9/447
D472,144 S * 3/2003 Hierzer D9/435
D476,892 S 7/2003 Martin et al.
D508,203 S 8/2005 Ziegenhorn et al.
D508,402 S 8/2005 Hierzer et al.
D511,685 S 11/2005 Choi
D513,474 S 1/2006 Choi
D516,425 S 3/2006 Haffner et al.
D530,202 S 10/2006 Herald et al.
D541,154 S 4/2007 Moribata et al.
D547,184 S 7/2007 Kim et al.
D588,915 S 3/2009 Lohrman et al.
D608,198 S 1/2010 Lohrman et al.
D608,199 S 1/2010 Gross
D610,907 S 3/2010 Robillard et al.
D611,817 S 3/2010 Simmons et al.
D612,729 S 3/2010 Lohrman et al.
D614,488 S 4/2010 Kallenbach et al.
7,717,284 B2 5/2010 Giusti
D628,887 S 12/2010 Groubert et al.
D628,888 S * 12/2010 Groubert D9/449
D628,889 S * 12/2010 Groubert D9/449
D628,890 S 12/2010 Groubert et al.
D628,891 S * 12/2010 Groubert D9/449
D628,892 S * 12/2010 Groubert D9/449
D628,893 S * 12/2010 Groubert D9/449

D634,198 S 3/2011 Groubert et al.
D636,672 S * 4/2011 Lohrman D9/438
D661,582 S 6/2012 Gatrost et al.
D662,416 S 6/2012 Dziersek et al.
D666,098 S * 8/2012 Cummings D9/447
8,267,274 B2 9/2012 Danks et al.
D680,434 S * 4/2013 Fracasso D9/447
D681,458 S * 5/2013 Santarelli D9/443
8,448,798 B2 5/2013 Groubert et al.
8,474,646 B2 7/2013 Danks et al.
D688,554 S * 8/2013 Fracasso D9/447
D709,764 S * 7/2014 Gibb D9/449
D711,230 S * 8/2014 den Boer D9/449
D713,723 S * 9/2014 den Boer D9/449
D713,724 S * 9/2014 den Boer D9/449
D716,142 S 10/2014 Luijendijk
D722,267 S * 2/2015 Miranda De Araujo D9/449
D730,729 S * 6/2015 George D9/435
D739,750 S 9/2015 Luijendijk
D742,229 S 11/2015 Wisniewski et al.
D750,490 S * 3/2016 Moore D9/446
D768,490 S * 10/2016 Robinson D9/449
D769,715 S 10/2016 Bois
D772,708 S * 11/2016 Lloyd D9/449
D779,940 S 2/2017 Kim et al.
D782,310 S * 3/2017 Li D9/434
D790,343 S 6/2017 Velmer et al.
D794,458 S 8/2017 Lloyd et al.
D818,309 S 5/2018 Jasso Gomez
2003/0116879 A1 6/2003 Mueller et al.
2004/0016714 A1 1/2004 Wood et al.
2006/0186079 A1 8/2006 Ziegenhorn
2007/0131804 A1 * 6/2007 Westrich B65D 83/20
239/588
2008/0245795 A1 * 10/2008 Berge B65D 47/0814
220/264
2009/0101646 A1 4/2009 Paul et al.
2010/0140266 A1 6/2010 Lohrman et al.
2012/0080450 A1 4/2012 Dziersek et al.
2013/0037510 A1 * 2/2013 Tamarit Rios B65D 47/0804
215/259
2016/0207693 A1 * 7/2016 Carpenter B65D 83/206

OTHER PUBLICATIONS

Berry Global, "38-400 Dispensing Two-Piece Flip Top," accessed online on Jan. 24, 2019, [https://catalog.berryglobal.com/products/closure/dispensing/closure605cd38400fsbs], 4 pages.
Packaging World, "Global Closure Systems: Flip top caps," published May 28, 2014, accessed online on Jan. 24, 2019, [https://www.packworld.com/article/package-component/closures-rigid-containers/global-closure-systems-flip-top-caps], 4 pages.
United States Patent and Trademark Office, "Non-Final Office Action," issued in connection with U.S. Appl. No. 29/598,541, dated Jul. 5, 2018, 20 pages.

* cited by examiner

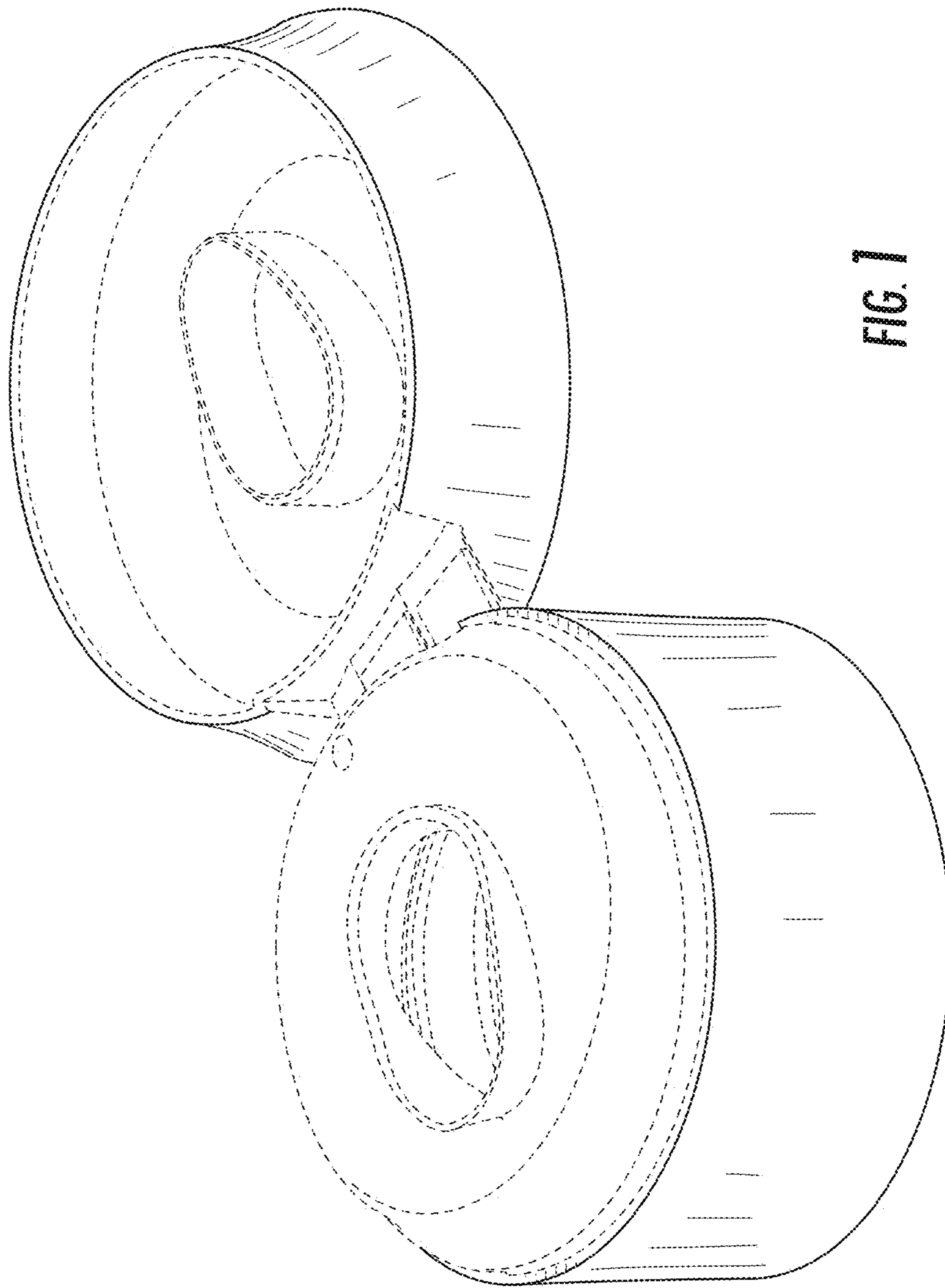


FIG. 1

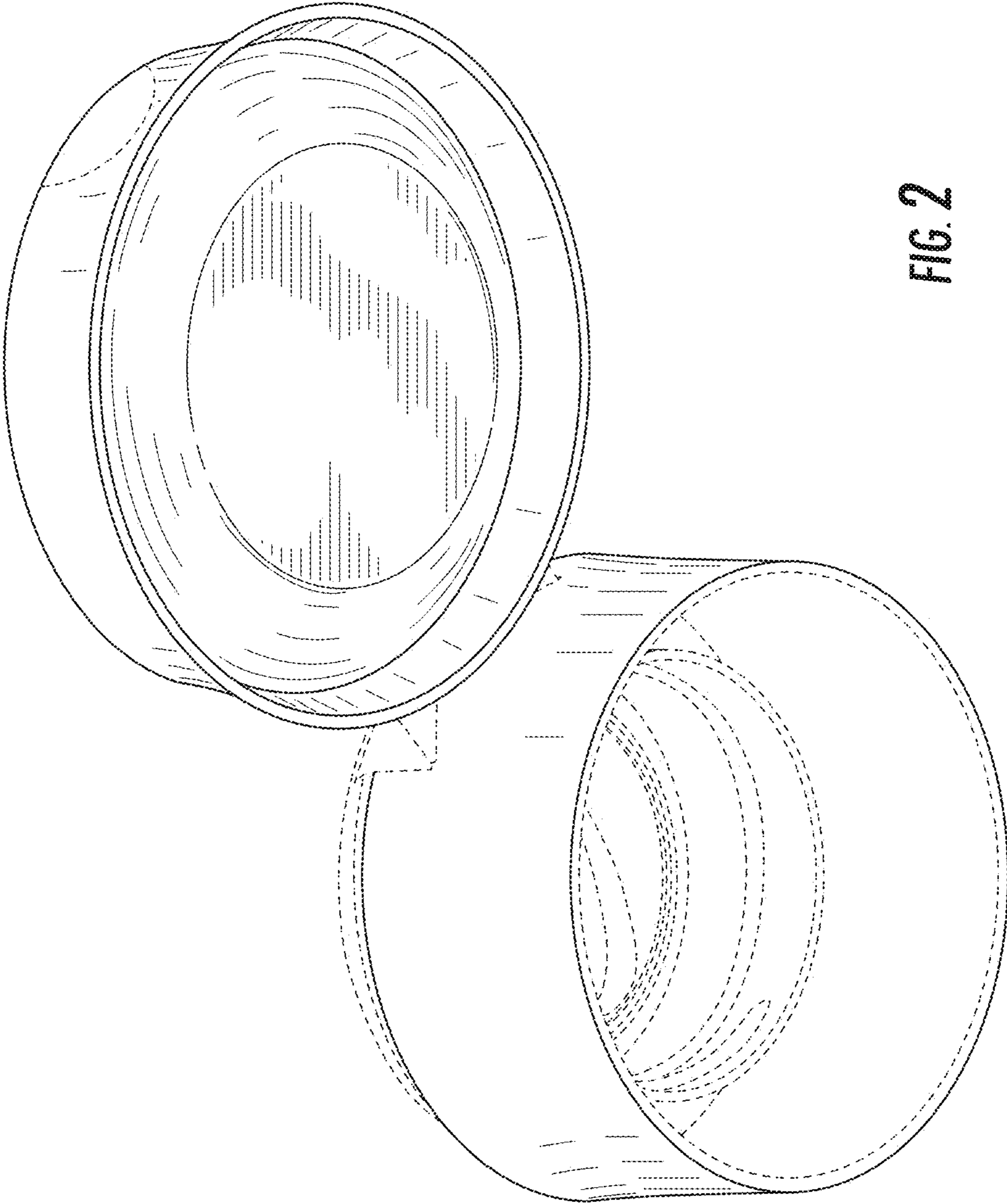


FIG. 2

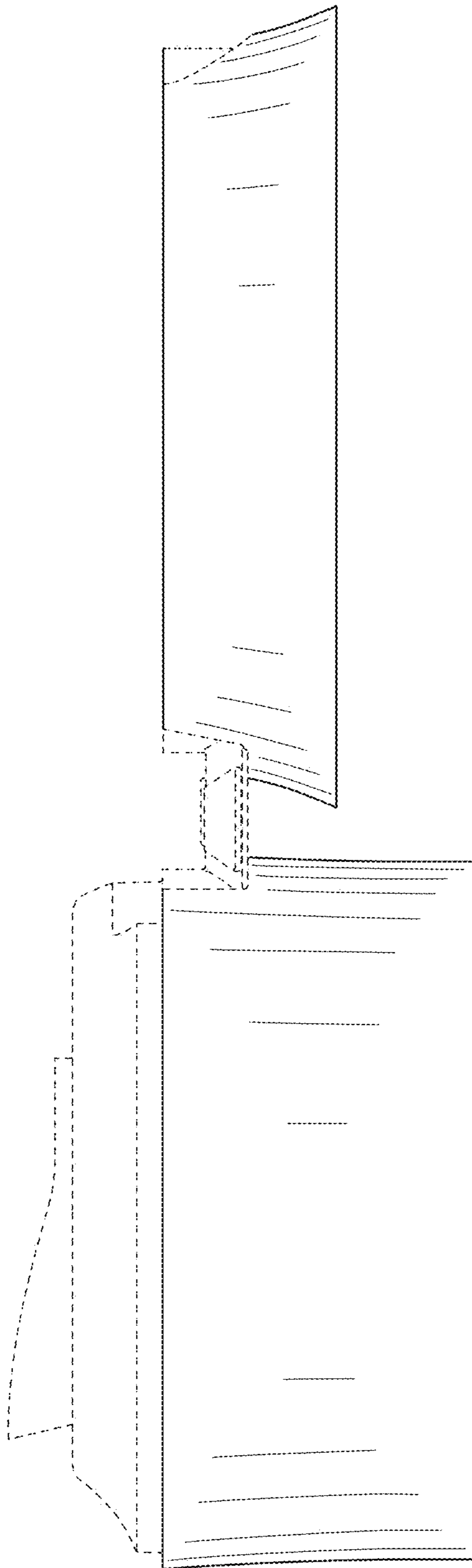


FIG. 3

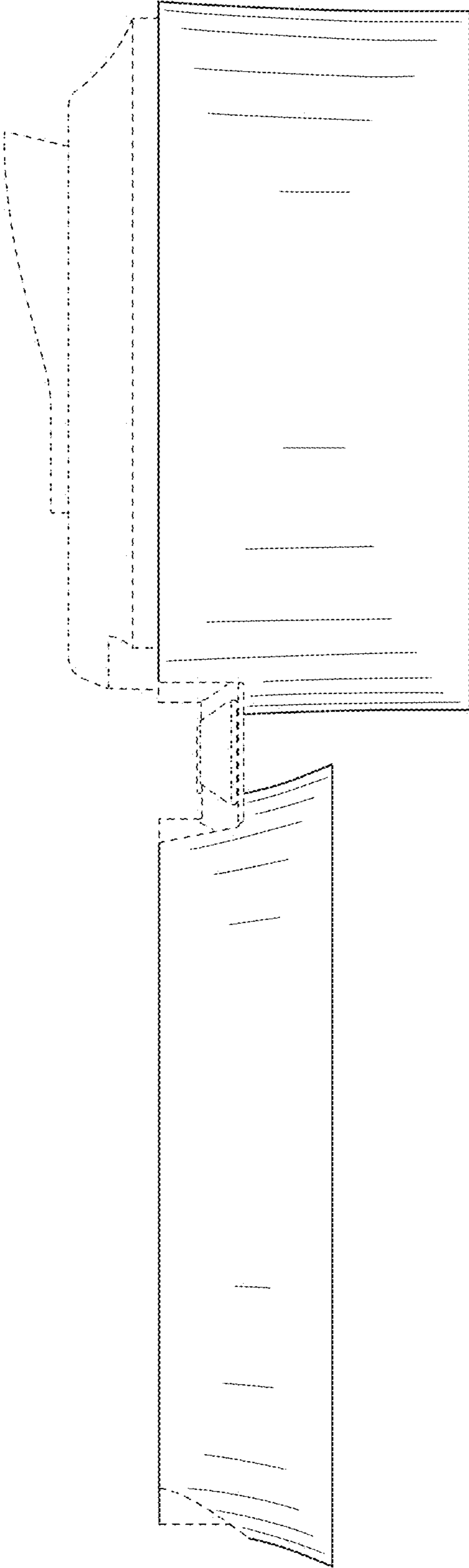


FIG. 4

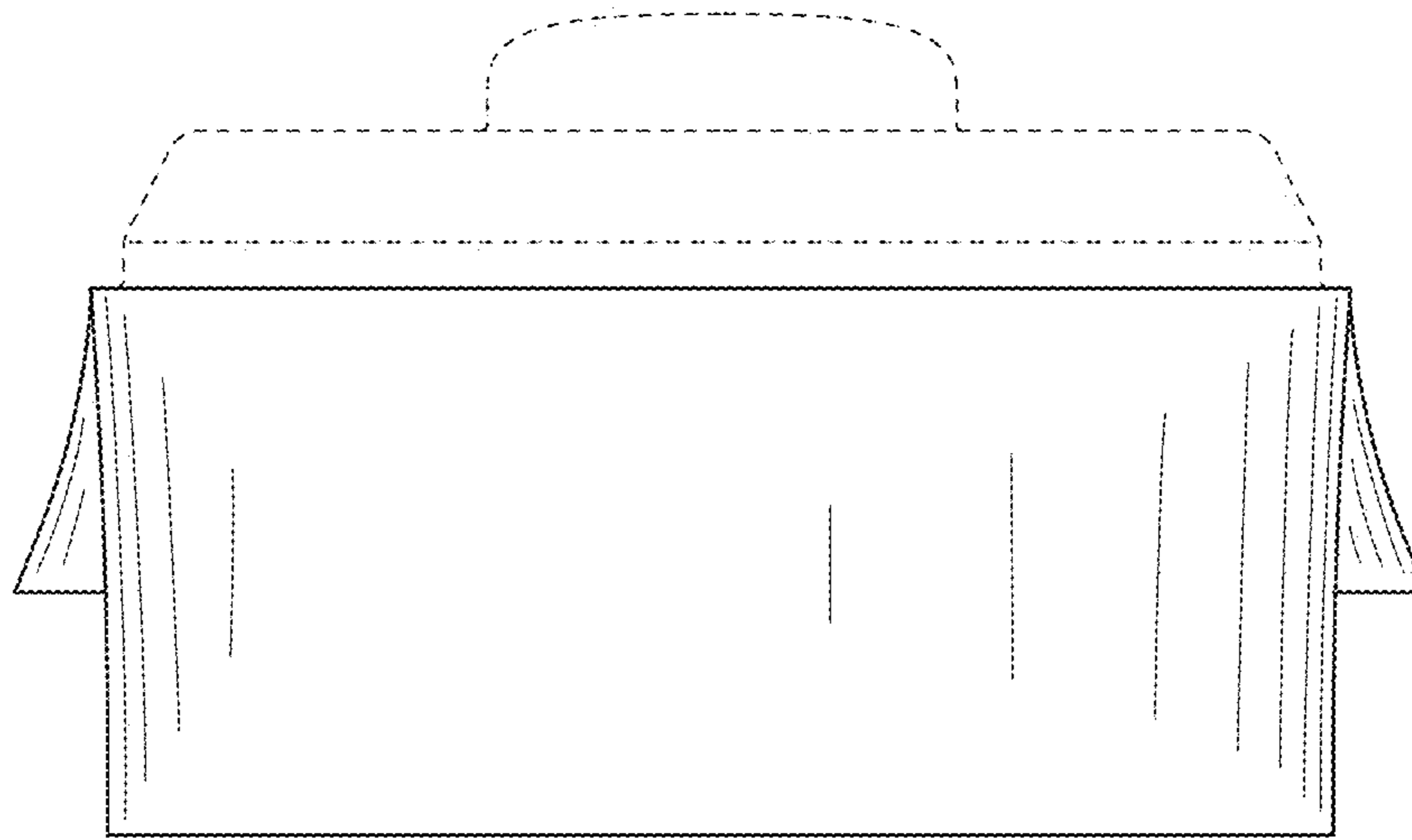


FIG. 5

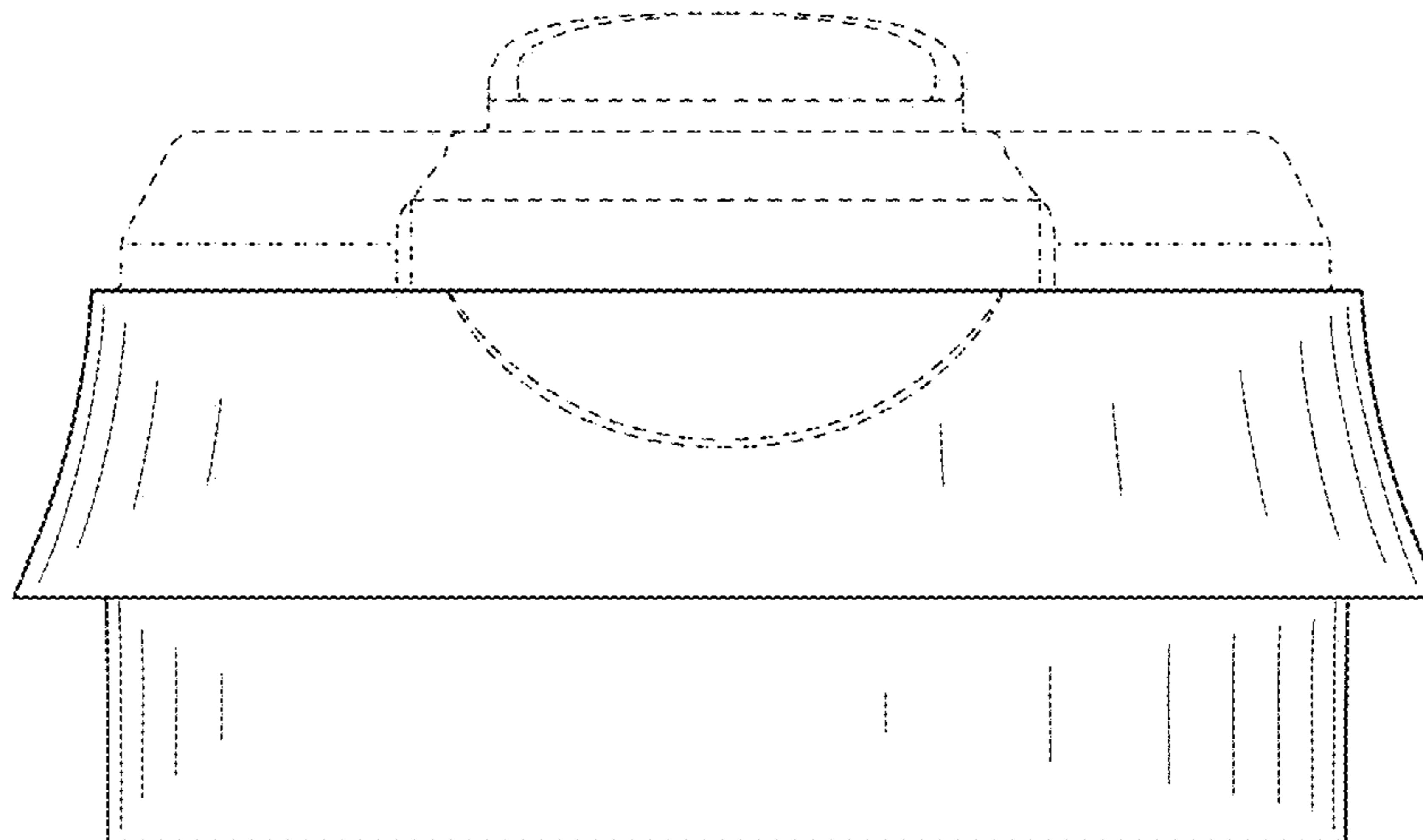


FIG. 6

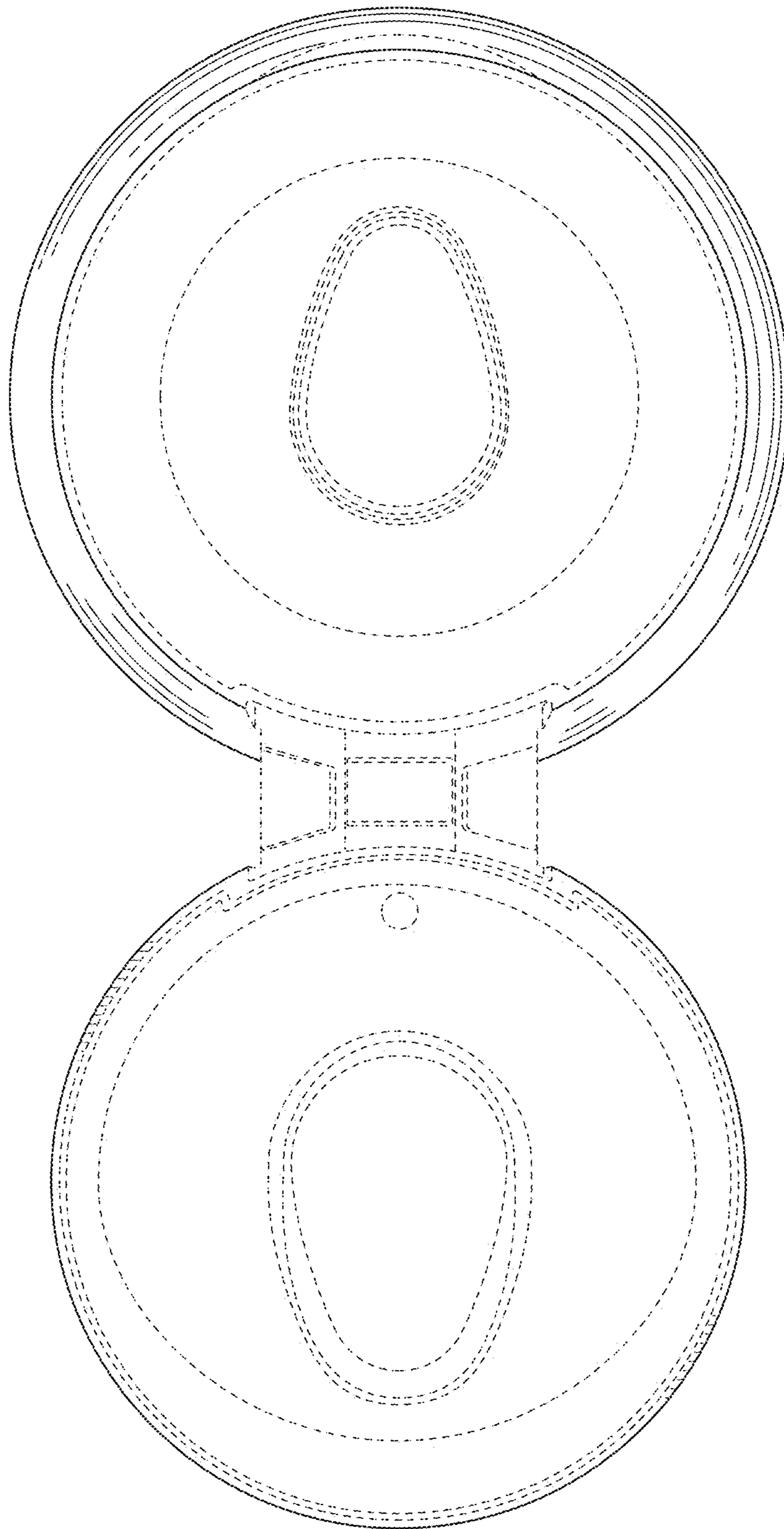


FIG. 7

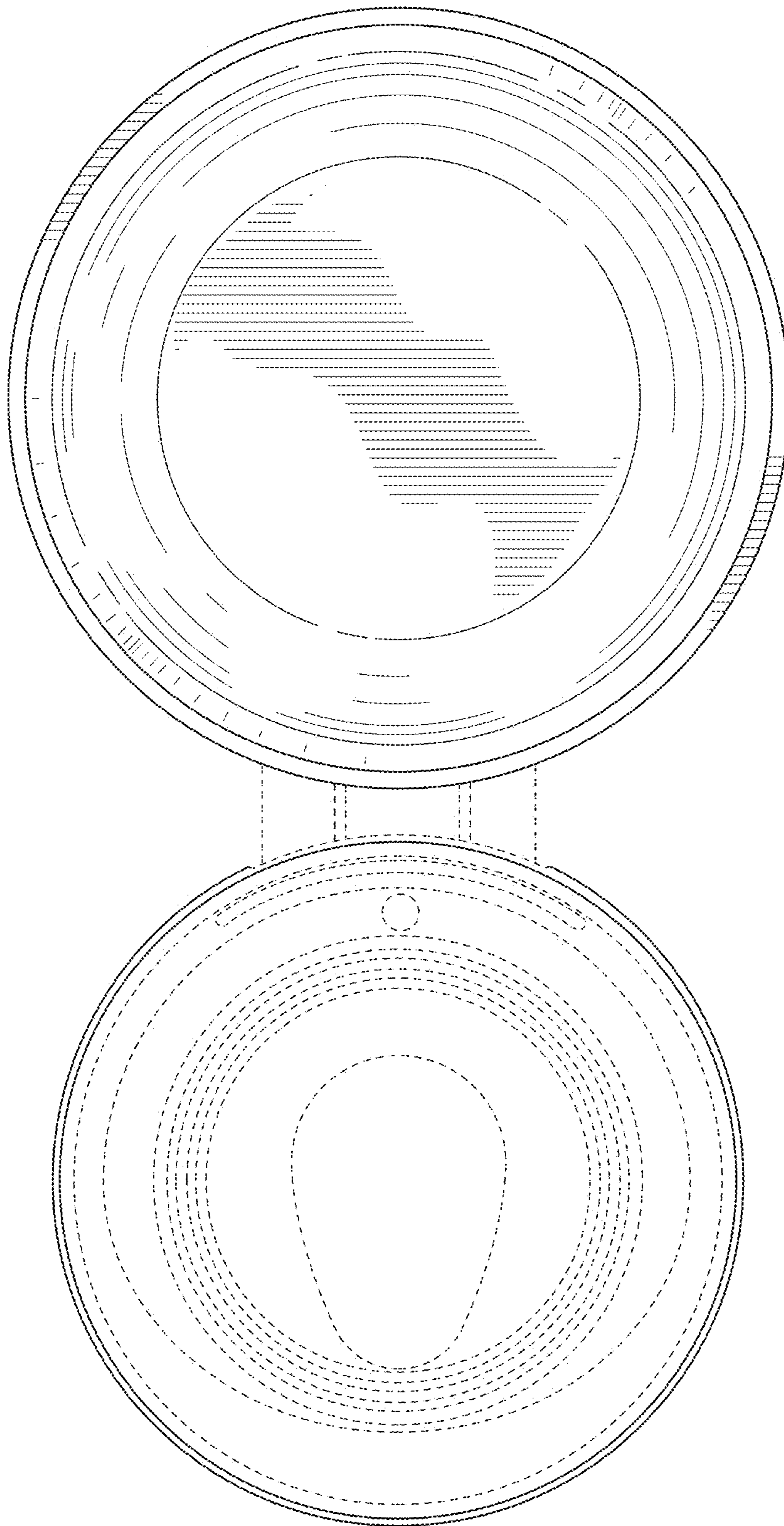


FIG. 8

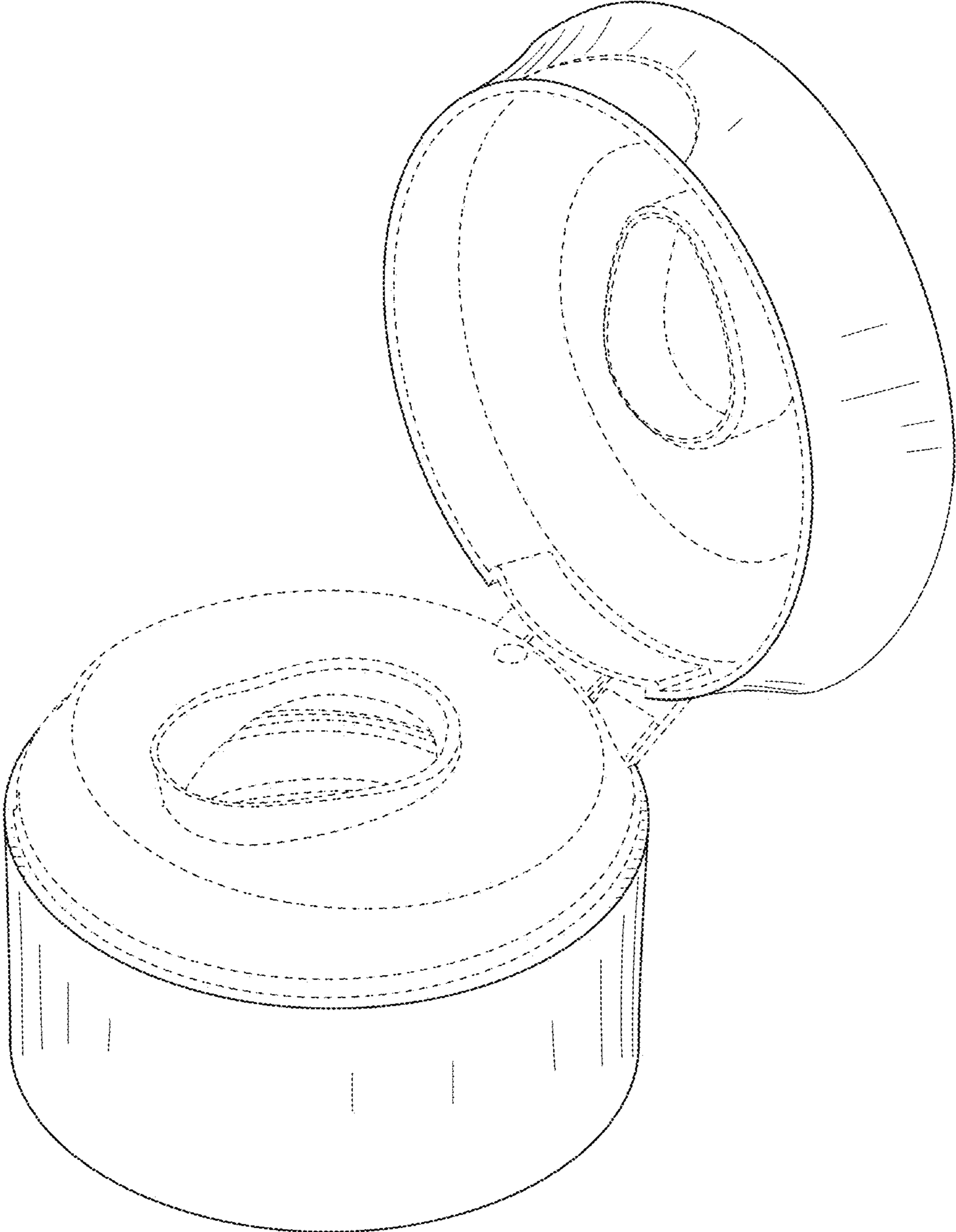


FIG. 9

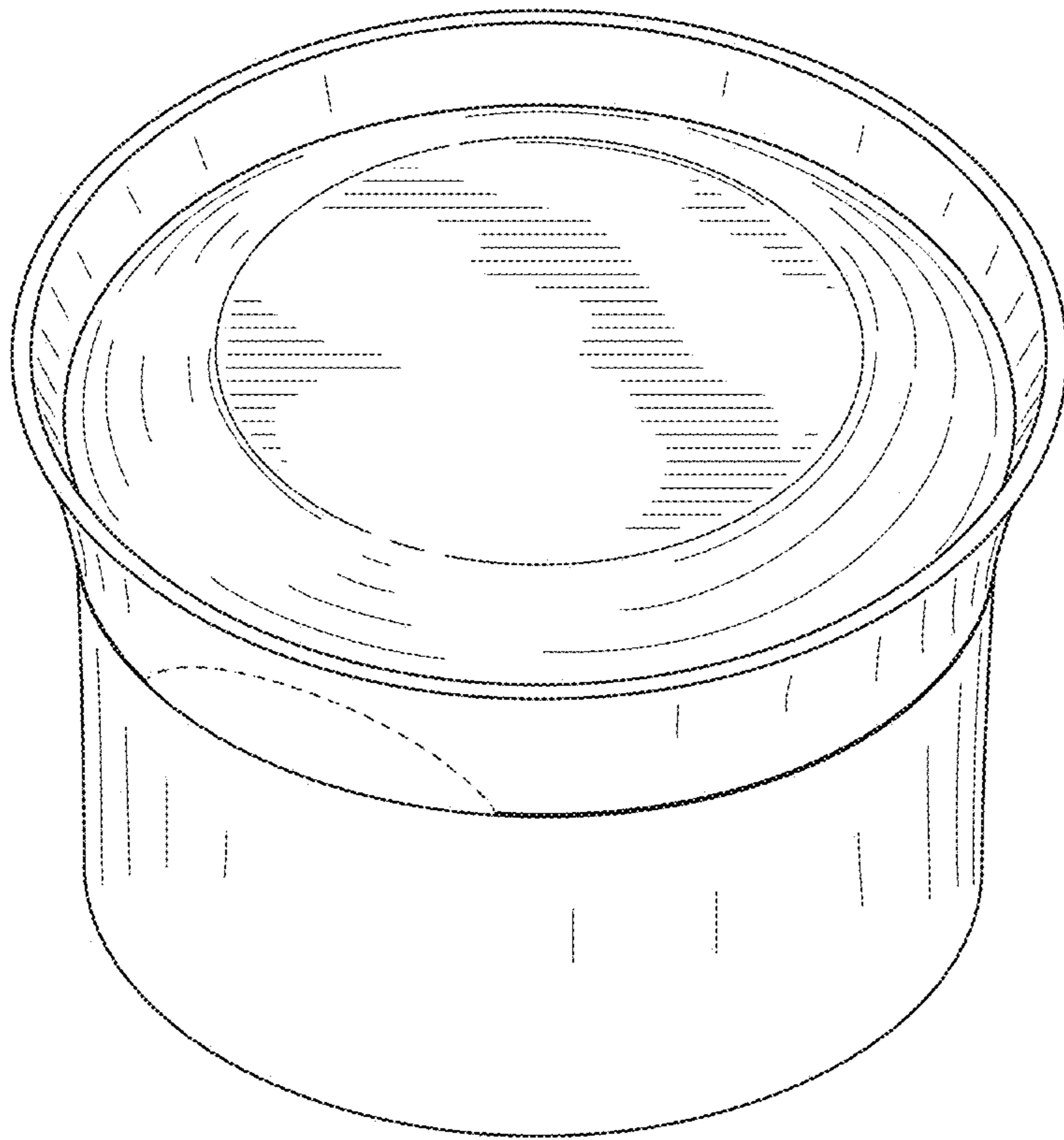


FIG. 10

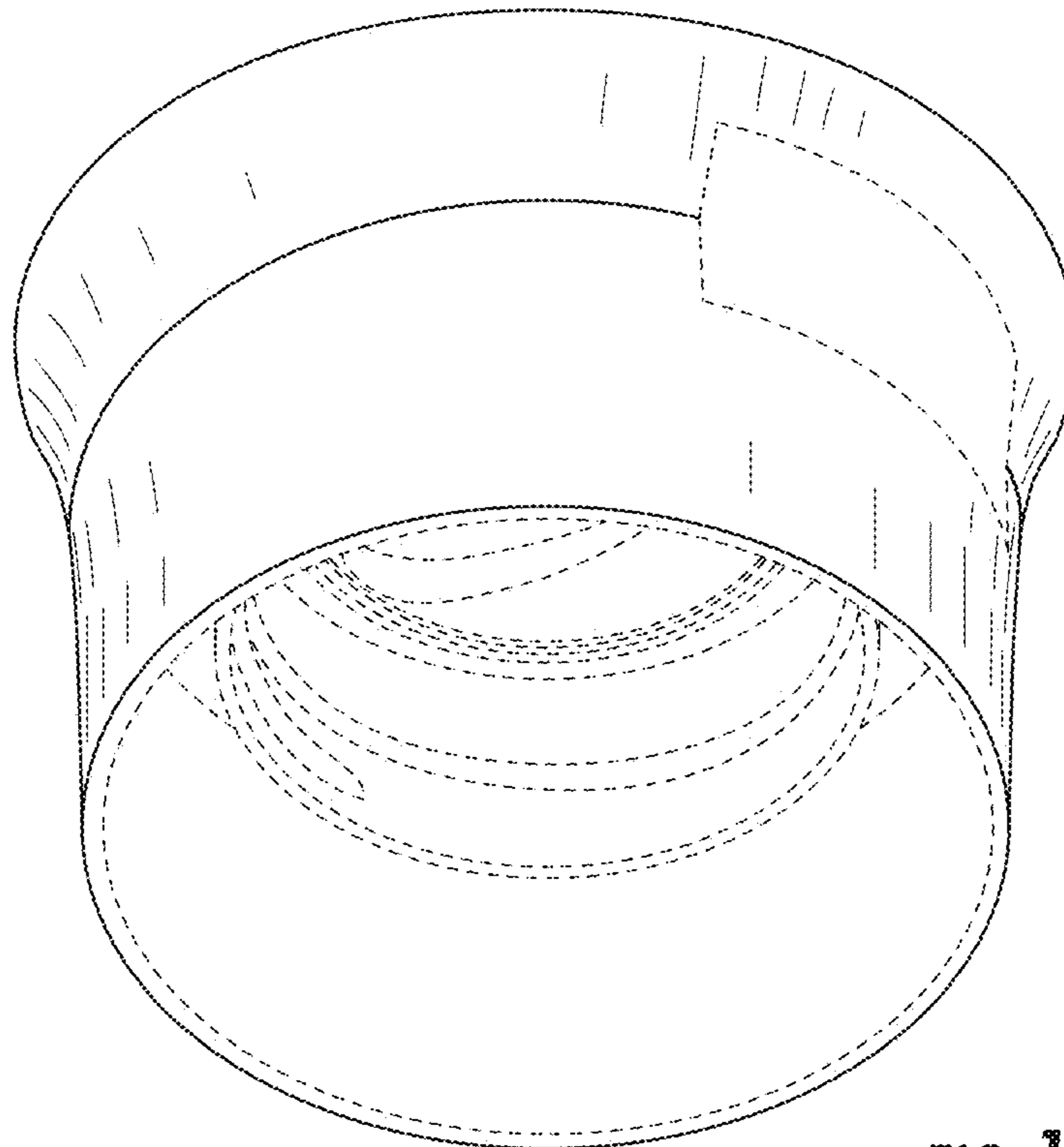


FIG. 11

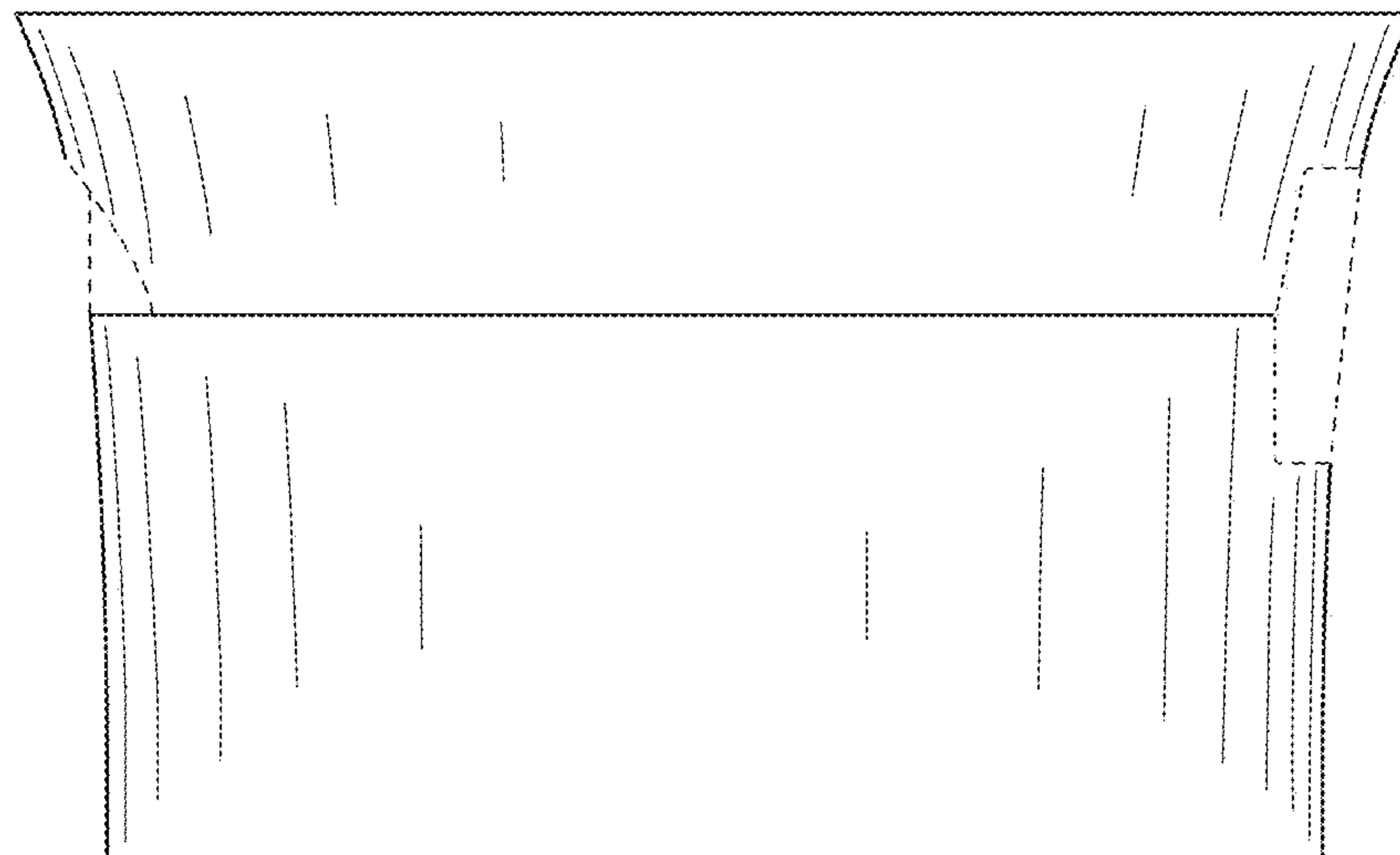


FIG. 12



FIG. 13

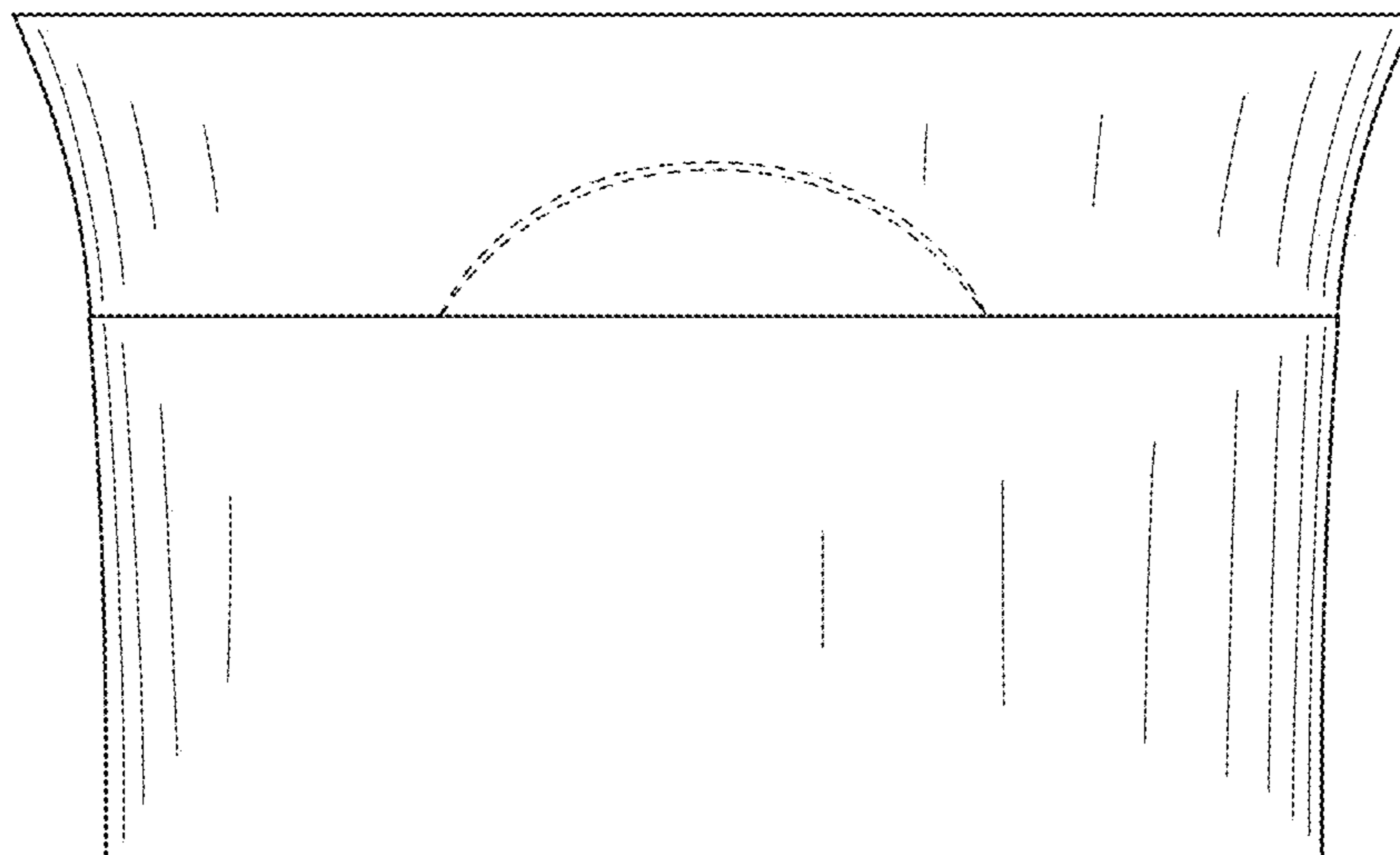


FIG. 14

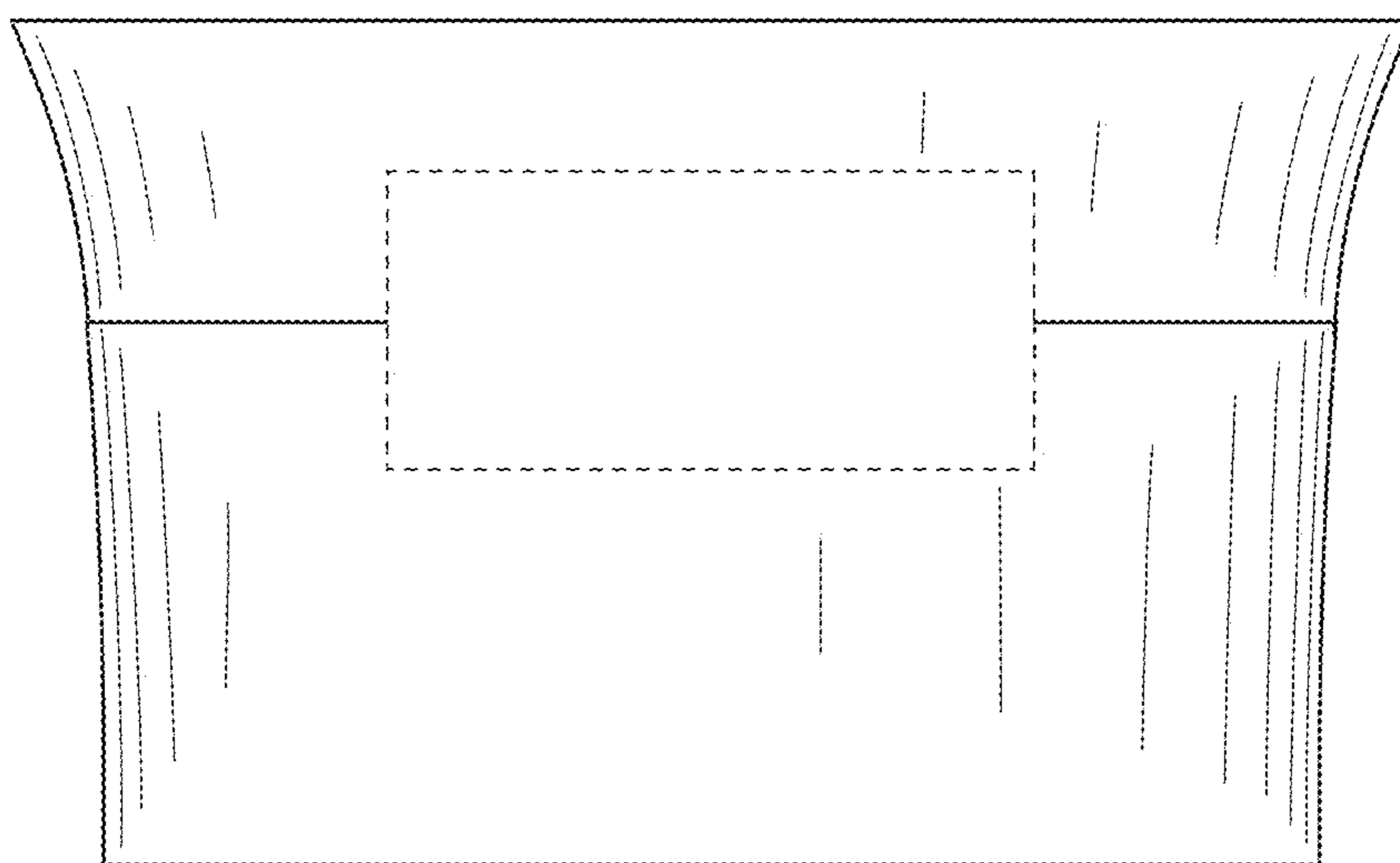


FIG. 15

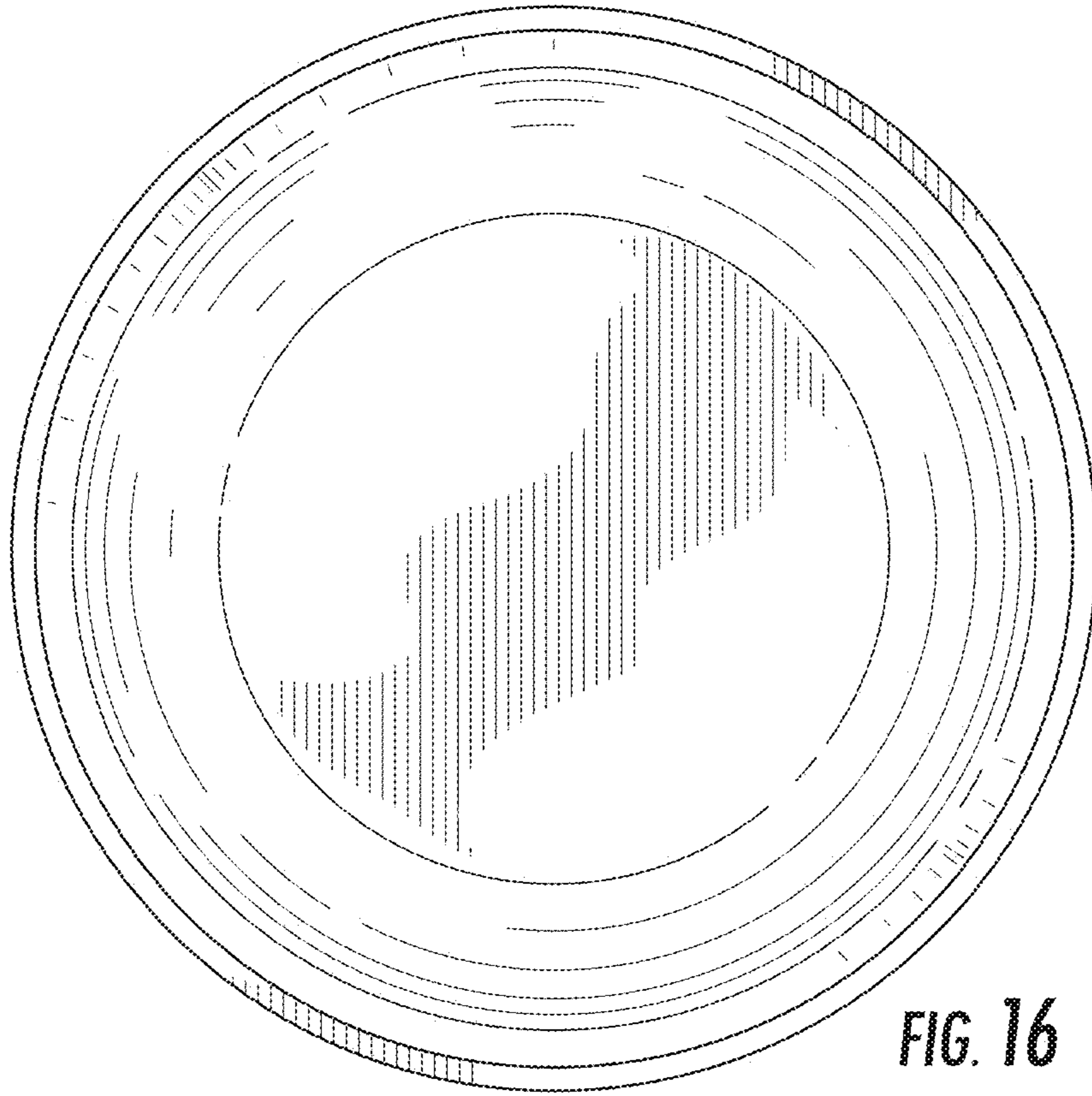


FIG. 16

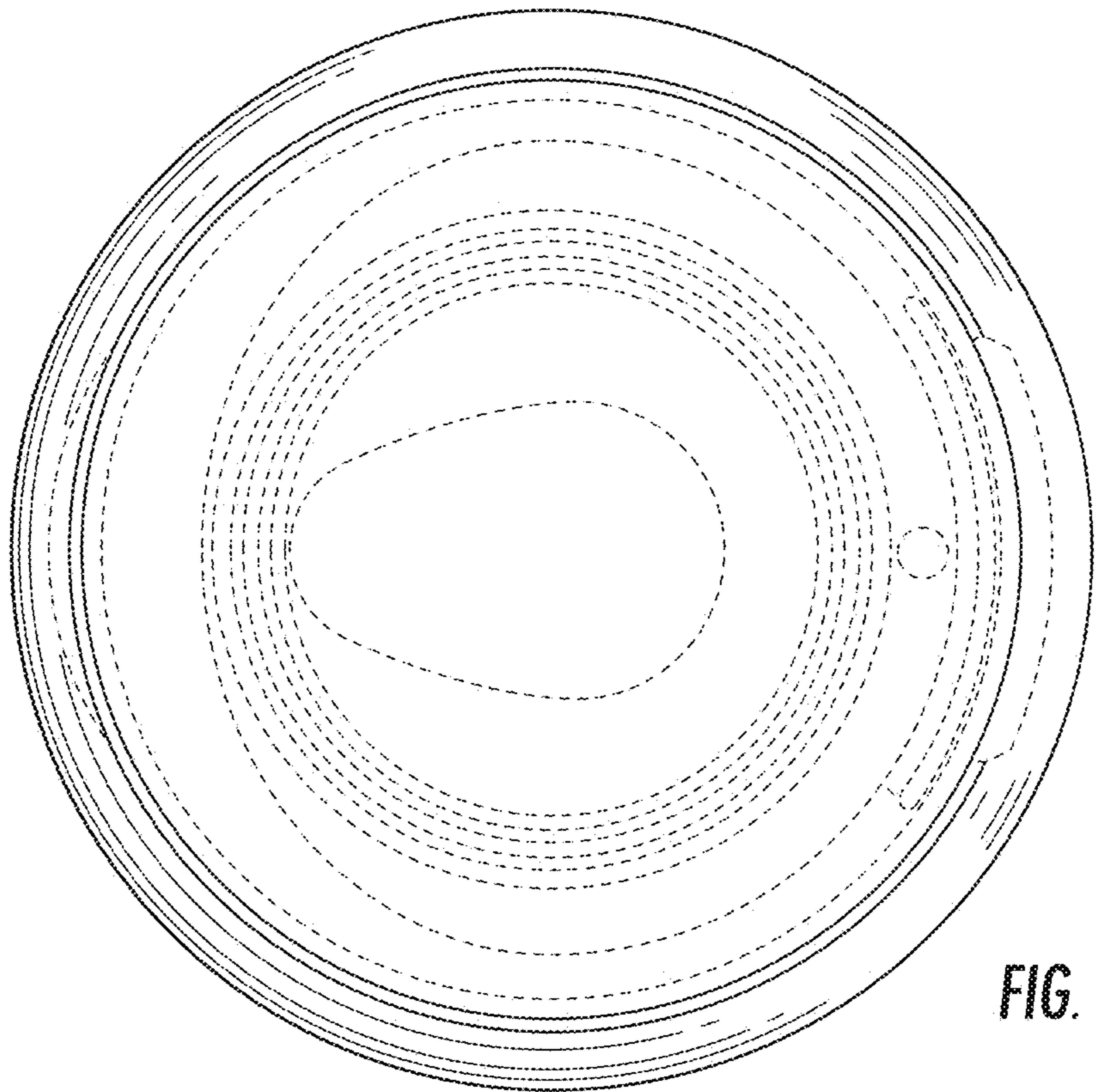


FIG. 17