



US00D871900S

(12) **United States Design Patent**  
**McDuff**

(10) **Patent No.:** **US D871,900 S**  
(45) **Date of Patent:** **\*\* Jan. 7, 2020**

(54) **WALL ANCHOR**

(71) Applicant: **COBRA FIXATIONS CIE**  
**LTEE—COBRA ANCHORS CO.**  
**LTD., Montreal (CA)**

(72) Inventor: **Pierre McDuff, Outremont (CA)**

(73) Assignee: **COBRA FIXATIONS CIE**  
**LTEE—COBRA ANCHORS CO.**  
**LTD., Montréal (CA)**

(\*\*) Term: **15 Years**

(21) Appl. No.: **29/607,854**

(22) Filed: **Jun. 16, 2017**

(51) **LOC (12) Cl.** ..... **08-08**

(52) **U.S. Cl.**  
USPC ..... **D8/385**

(58) **Field of Classification Search**  
USPC ..... D8/367, 388, 391, 382, 387, 384, 385,  
D8/392

CPC .. A47G 1/16; A47G 1/20; F16B 13/00; F16B  
2013/007; F16B 13/14; F16B 13/06;  
F16B 13/128; F16B 13/08; F16B  
13/0808; F16B 2021/14; F16B 21/16;  
F16B 21/082; F16B 33/00; F16B 35/00;  
E04B 2002/0243; E04B 2002/0245; Y10S  
411/904; Y10S 411/908

See application file for complete search history.

(56) **References Cited**

**U.S. PATENT DOCUMENTS**

D352,656 S \* 11/1994 Rodman ..... D8/385  
D481,001 S \* 10/2003 Gaudron ..... D12/215

D651,890 S \* 1/2012 Gaudron ..... D8/385  
2004/0170486 A1 \* 9/2004 DeMeo ..... F16B 13/0808  
411/340  
2005/0207861 A1 \* 9/2005 Leatherman ..... F16B 13/00  
411/15  
2008/0253860 A1 \* 10/2008 McDuff ..... F16B 13/003  
411/344  
2011/0268528 A1 \* 11/2011 Gaudron ..... F16B 13/0808  
411/44  
2017/0307000 A1 \* 10/2017 Daly ..... F16B 13/0808  
2017/0314600 A1 \* 11/2017 Daly ..... F16B 13/0808

\* cited by examiner

*Primary Examiner* — Sandra S Snapp

*Assistant Examiner* — Ieisha N Price

(74) *Attorney, Agent, or Firm* — Benoit & Cote Inc.;  
Michel Sofia

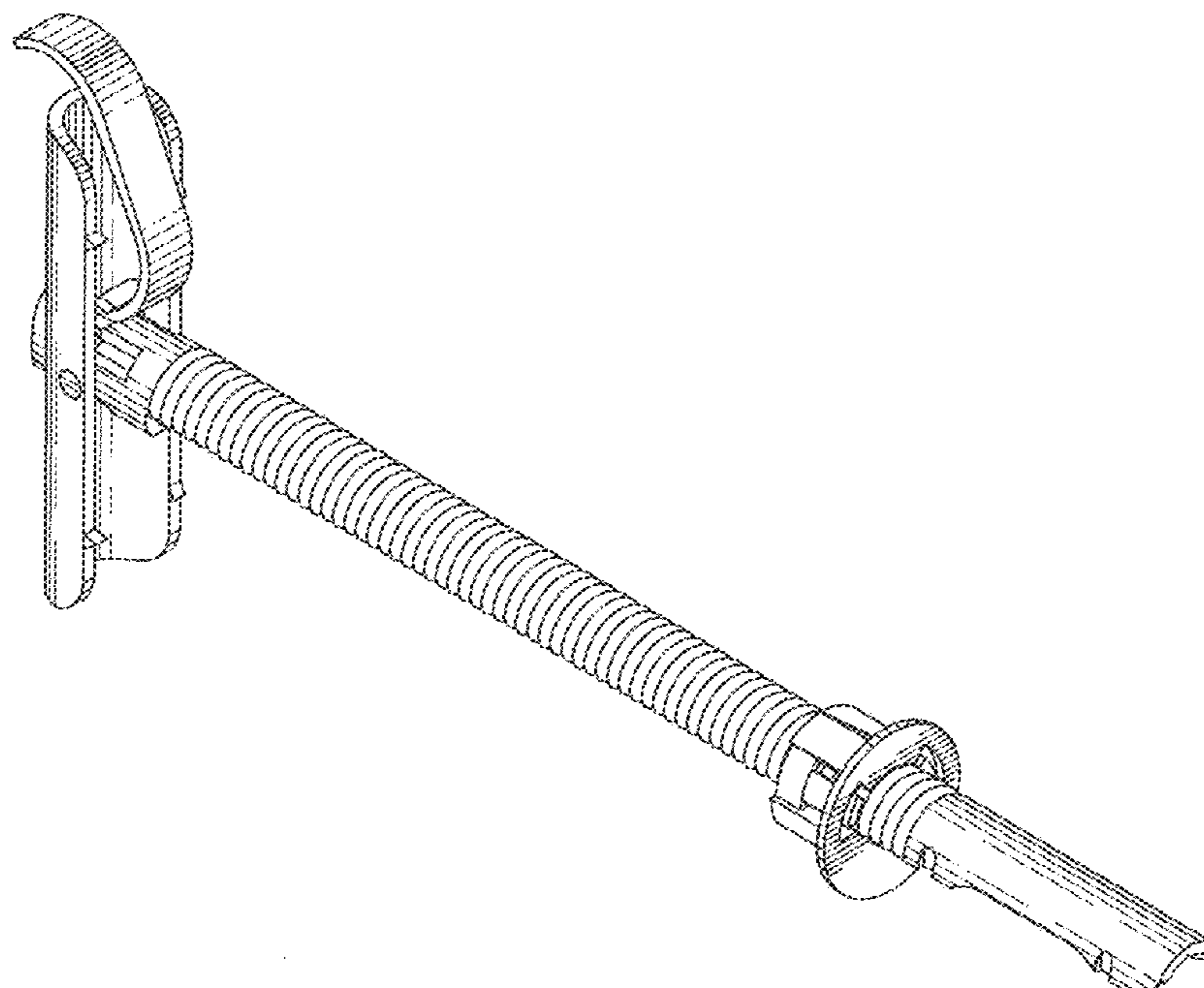
(57) **CLAIM**

I claim the ornamental design for a wall anchor, as shown and described.

**DESCRIPTION**

FIG. 1 is a perspective view of our ornamental design of the wall anchor;  
FIG. 2 is a left side view of the wall anchor of FIG. 1, the opposite view being a mirror image thereof;  
FIG. 3 is a top plan view of the wall anchor of FIG. 1;  
FIG. 4 is a bottom plan view of the wall anchor of FIG. 1;  
FIG. 5 is a rear view of the wall anchor of FIG. 1; and,  
FIG. 6 is a front view of the wall anchor of FIG. 1.  
The broken lines in the drawings illustrate portions of the wall anchor and form no part of the claimed design.

**1 Claim, 4 Drawing Sheets**



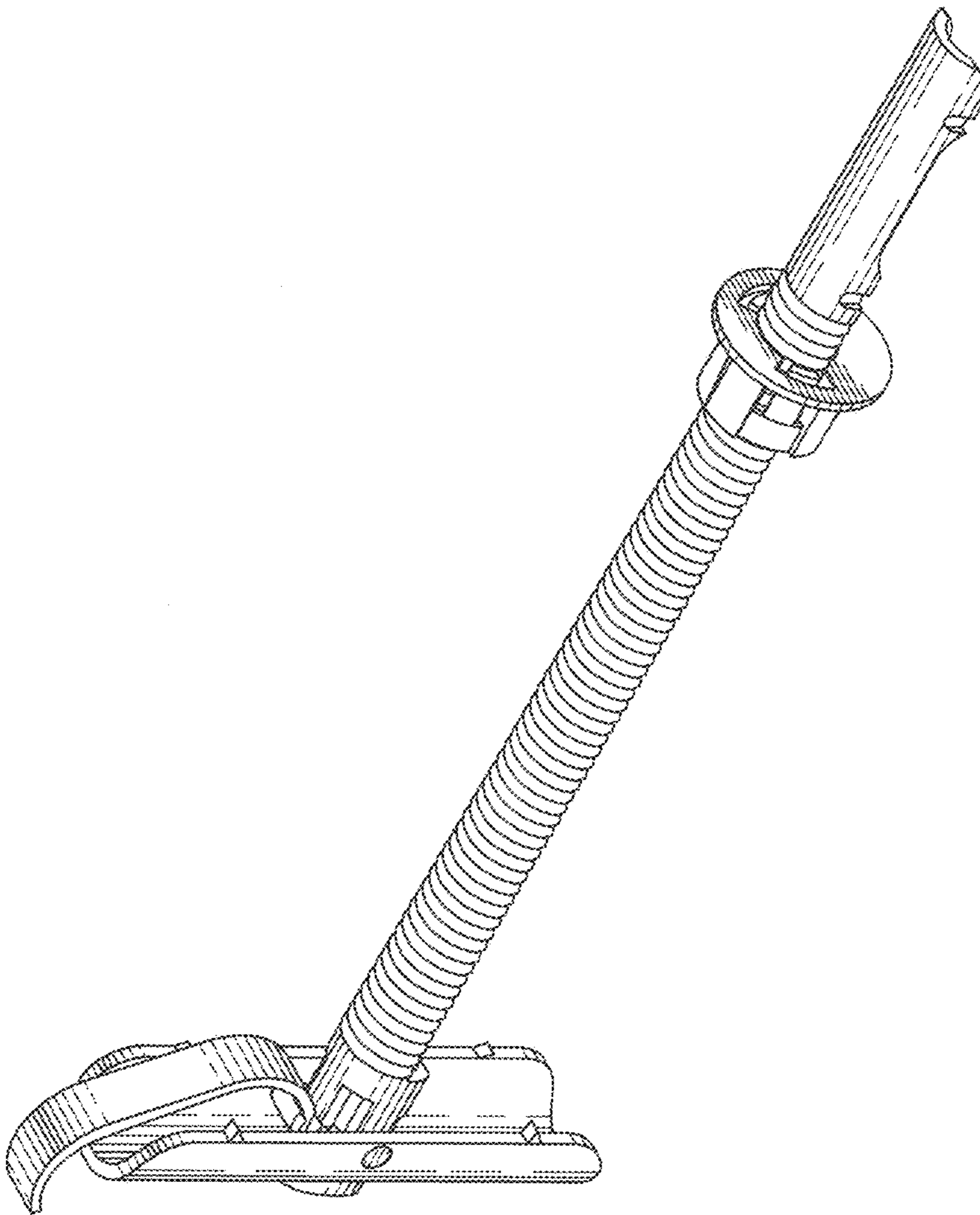


FIG. 1

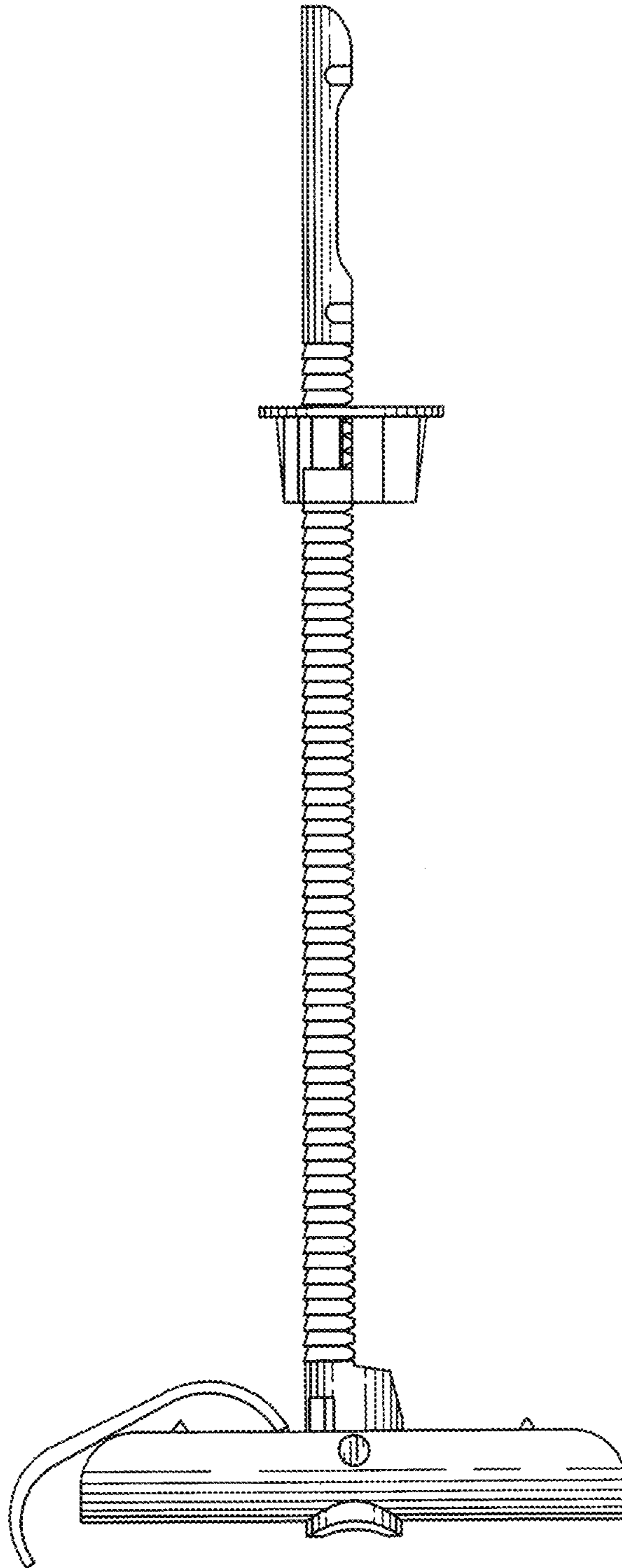


FIG. 2

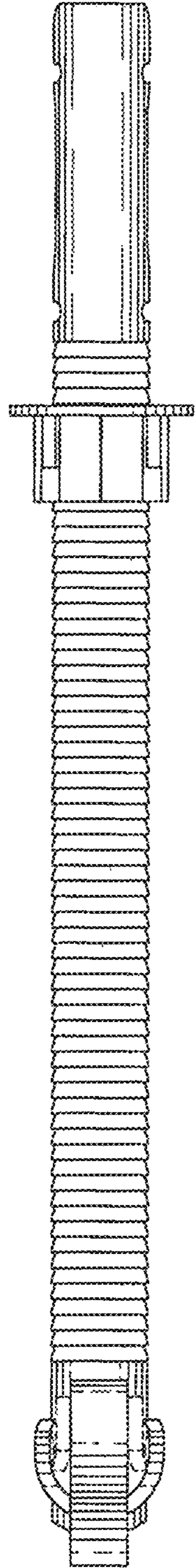


FIG. 3

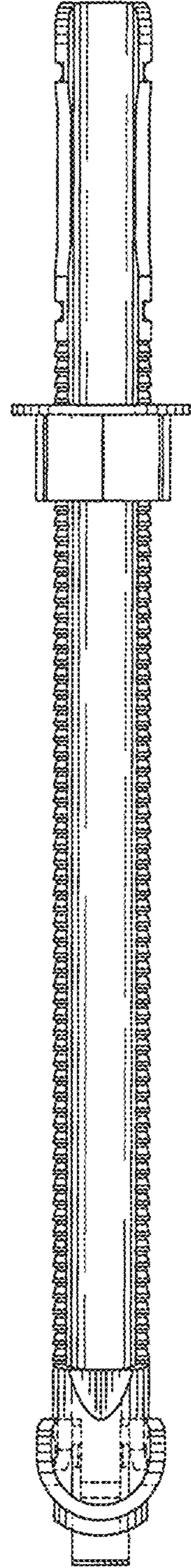


FIG. 4

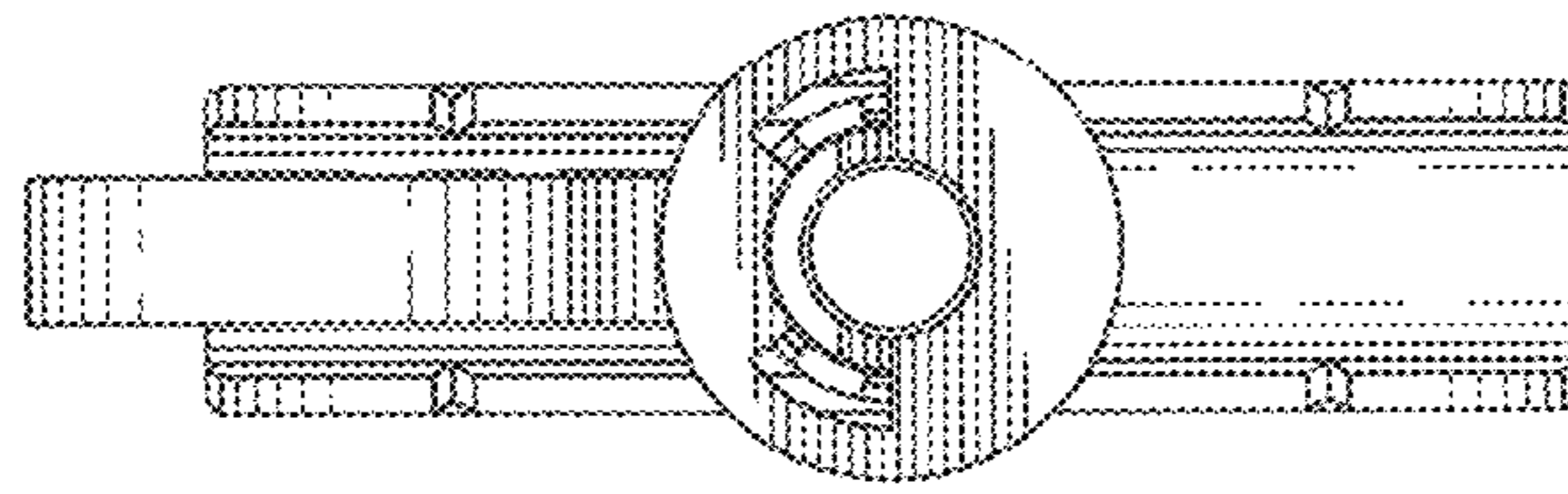


FIG. 10

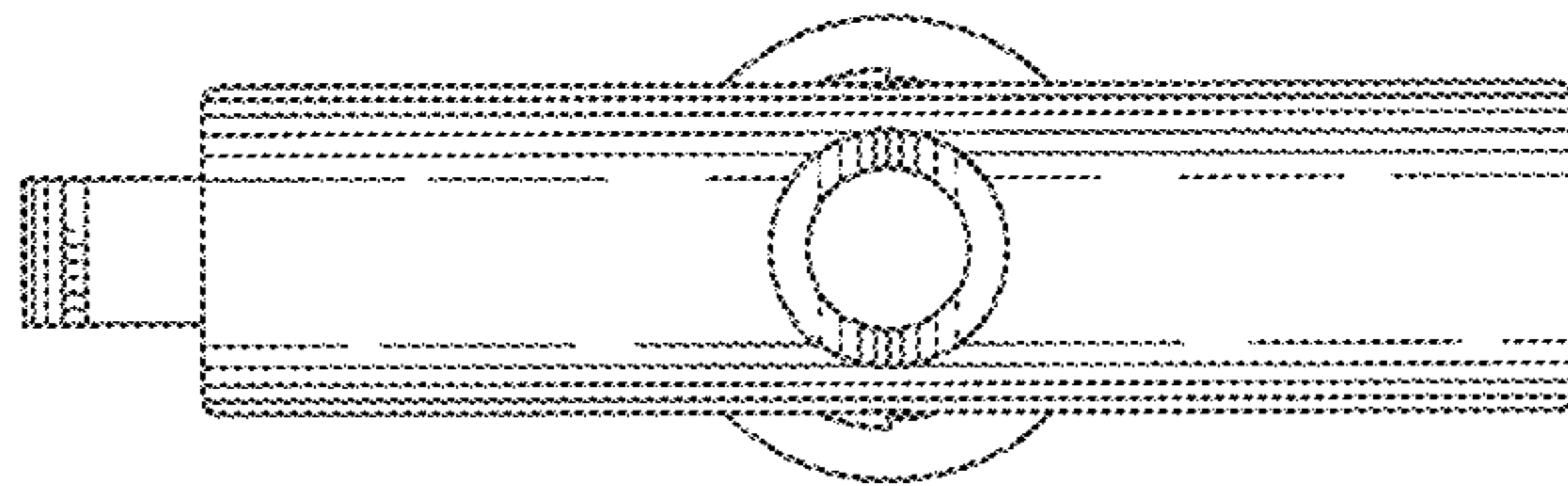


FIG. 11