



US00D871898S

(12) **United States Design Patent**
Hansson

(10) **Patent No.:** **US D871,898 S**

(45) **Date of Patent:** **** Jan. 7, 2020**

(54) **CERAMIC EYE**

(71) Applicant: **Eltex of Sweden AB**, Osby (SE)

(72) Inventor: **Jonas Hansson**, Osby (SE)

(73) Assignee: **ELTEX OF SWEDEN AB**, Osby (SE)

(**) Term: **15 Years**

(21) Appl. No.: **29/668,620**

(22) Filed: **Oct. 31, 2018**

(30) **Foreign Application Priority Data**

Jul. 4, 2018 (EM) 005395001-0001
Jul. 4, 2018 (EM) 005395001-0002

(51) **LOC (12) Cl.** **08-05**

(52) **U.S. Cl.**
USPC **D8/367**

(58) **Field of Classification Search**
USPC D8/367, 354, 394, 18, 105, 356, 310,
D8/312, 300; D11/208, 218; 248/341;
D6/323

CPC F16M 13/02; A44B 13/0029; A45F 5/021;
A45F 5/02; F16B 45/00; F16B 2/005;
A47G 25/00; A47G 1/00

See application file for complete search history.

(56) **References Cited**

U.S. PATENT DOCUMENTS

D649,021 S * 11/2011 Jariwala D8/367
D721,570 S * 1/2015 Caughron D8/367

D760,583 S * 7/2016 Weilage D8/395
D776,797 S * 1/2017 Bednarz D23/263
D778,841 S * 2/2017 Seever D13/155
D817,100 S * 5/2018 Xu D7/532
D817,158 S * 5/2018 Scimone D8/367
D818,352 S * 5/2018 Kundig D8/367

* cited by examiner

Primary Examiner — Cynthia R Underwood

(74) *Attorney, Agent, or Firm* — McGinn IP Law Group,
PLLC

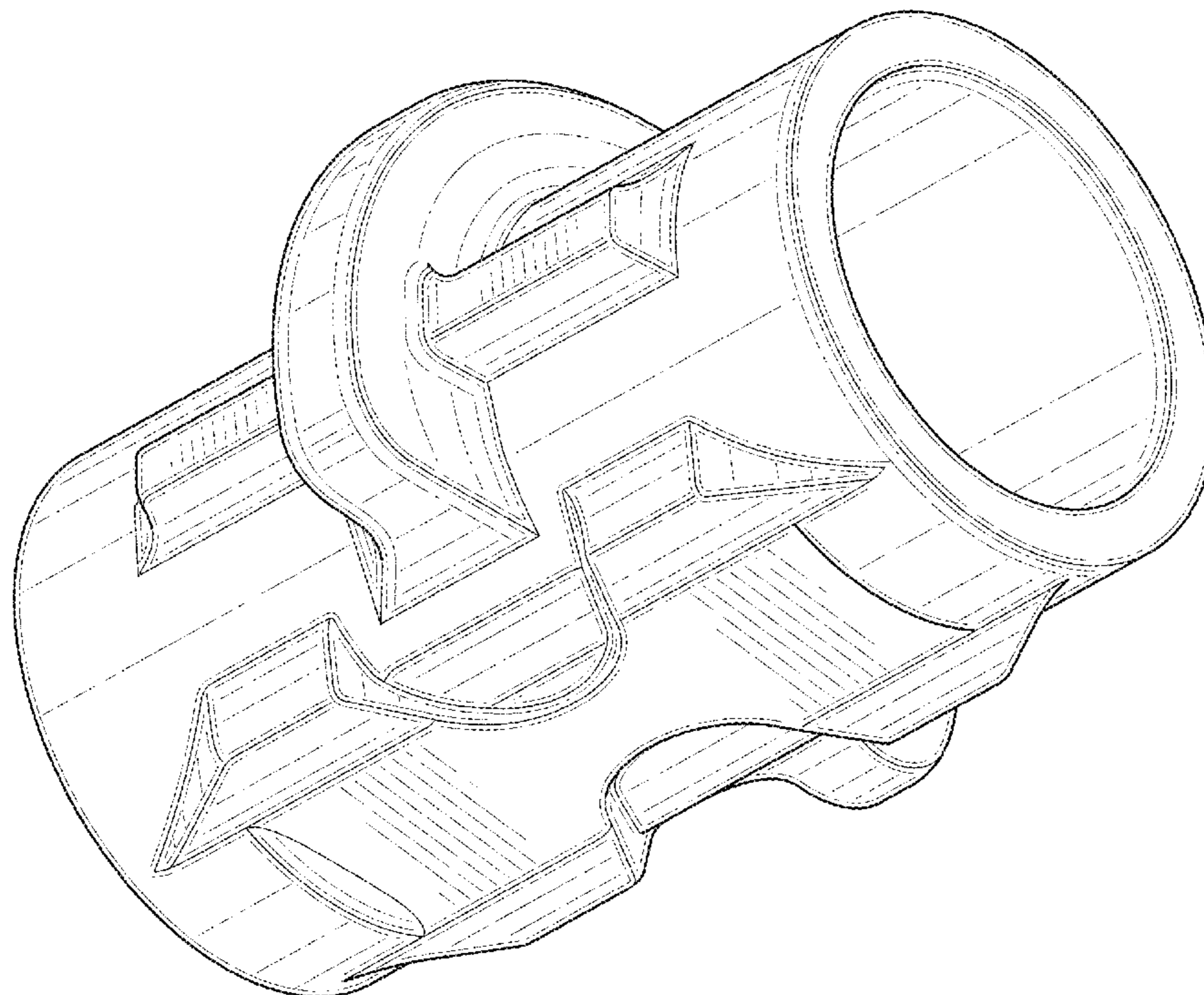
(57) **CLAIM**

The ornamental design for ceramic eye, as shown and described.

DESCRIPTION

FIG. 1 is a perspective view of the ceramic eye according to the present invention;
FIG. 2 is a right-side view of the ceramic eye according to the present invention;
FIG. 3 is a left-side view of the ceramic eye according to the present invention;
FIG. 4 is another side view of the ceramic eye according to the present invention;
FIG. 5 is yet another side view of the ceramic eye according to the present invention;
FIG. 6 is a top view of the ceramic eye according to the present invention; and,
FIG. 7 is a bottom view of the ceramic eye according to the present invention.

1 Claim, 7 Drawing Sheets



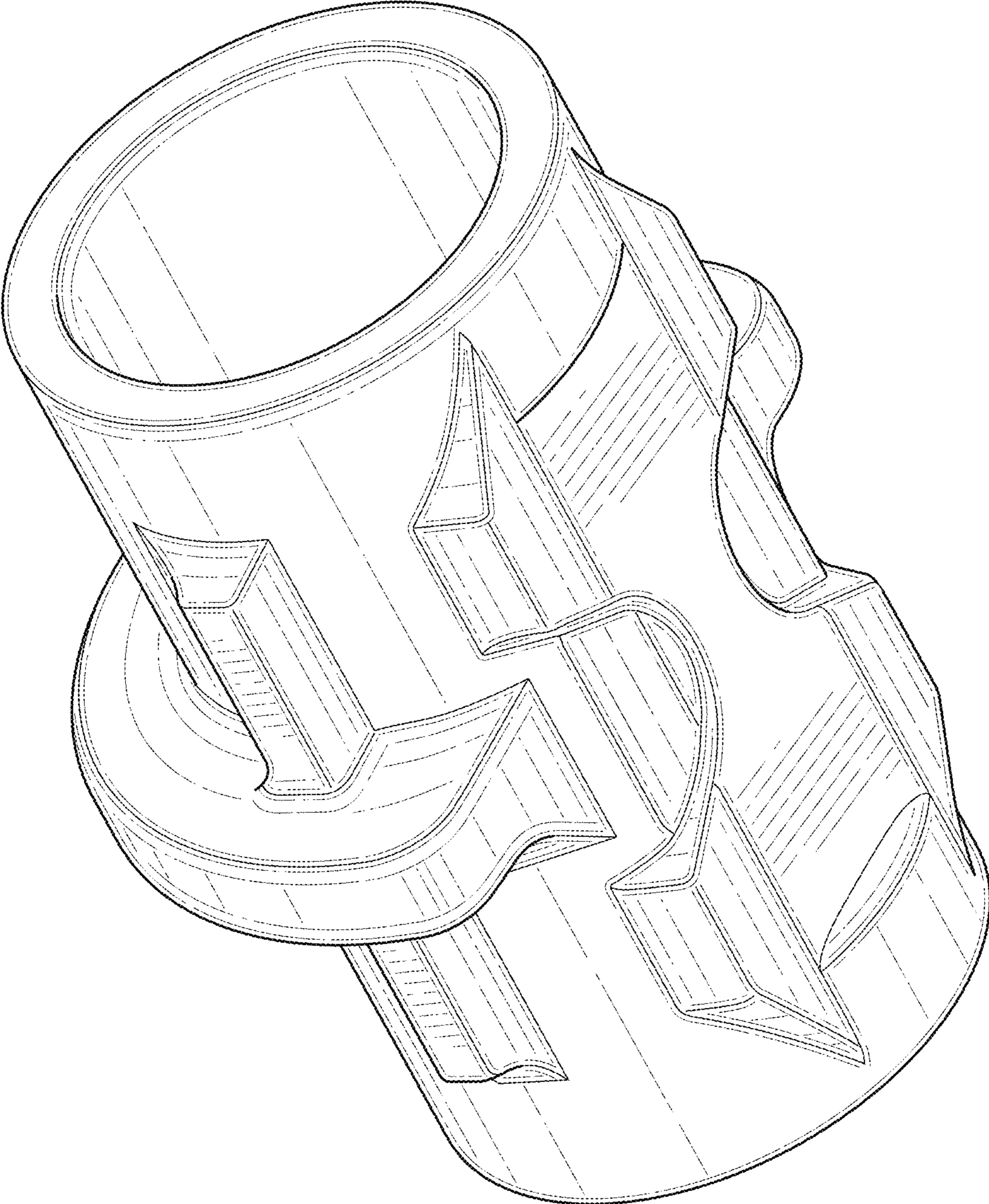


FIG. 1

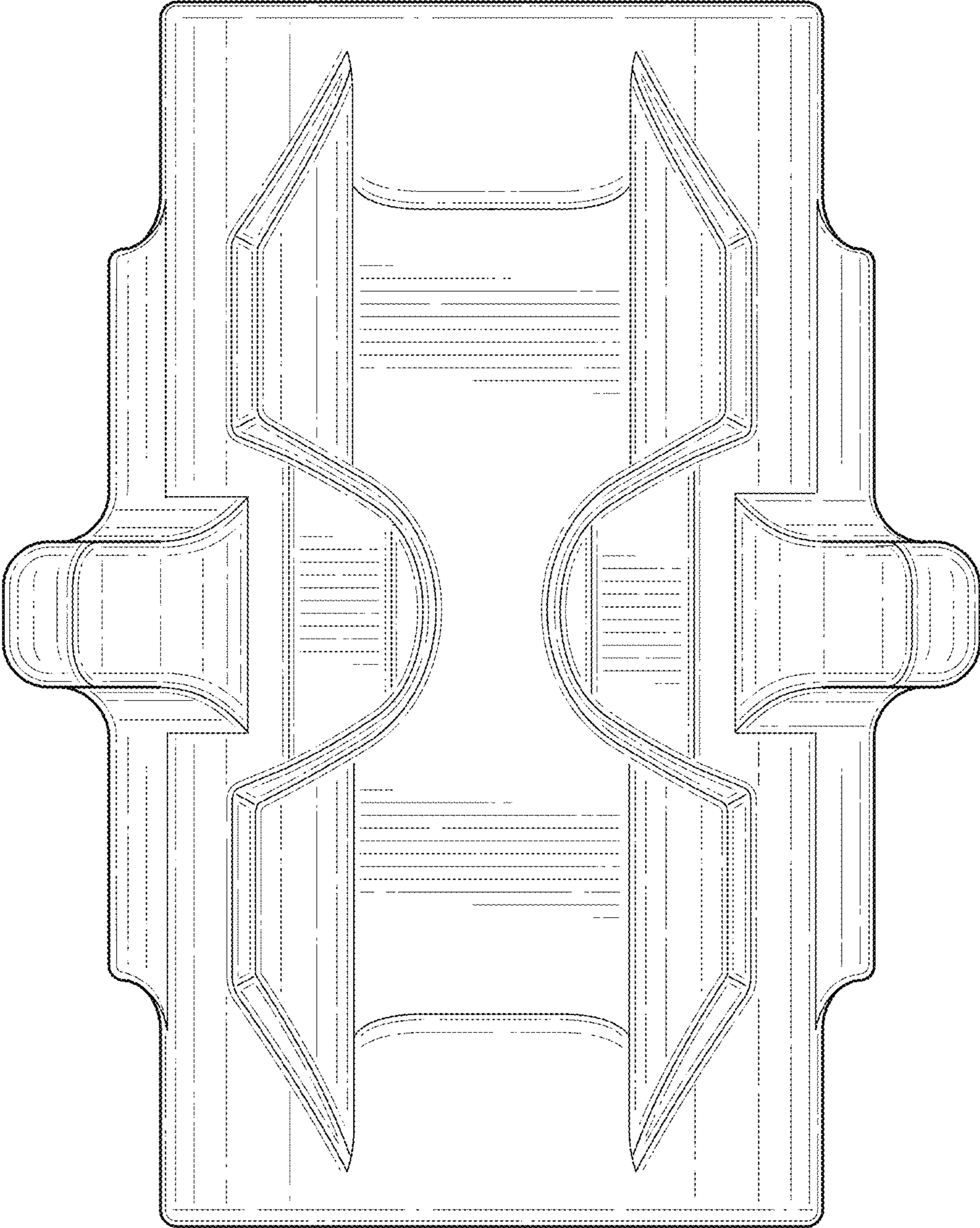


FIG. 2

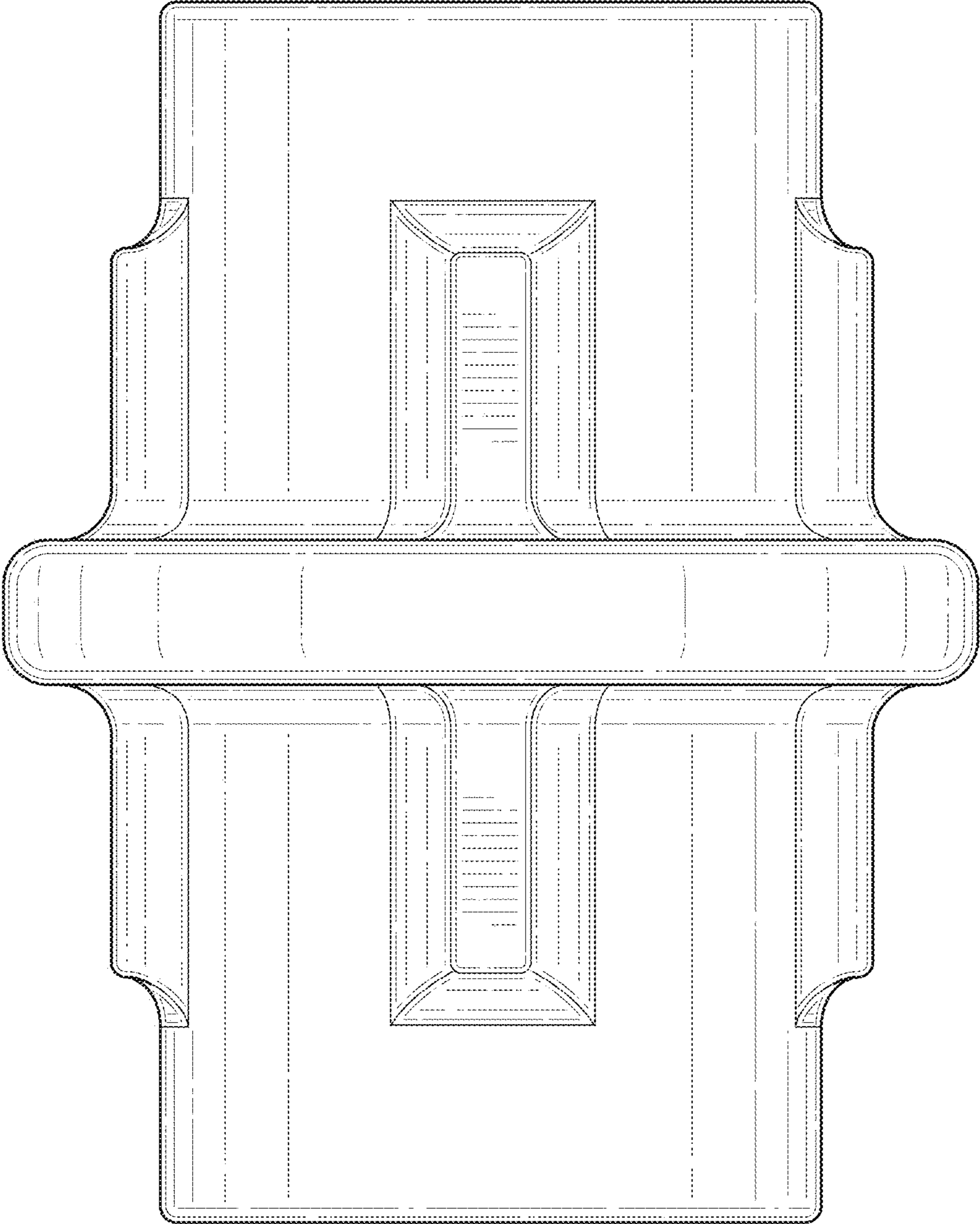


FIG. 3

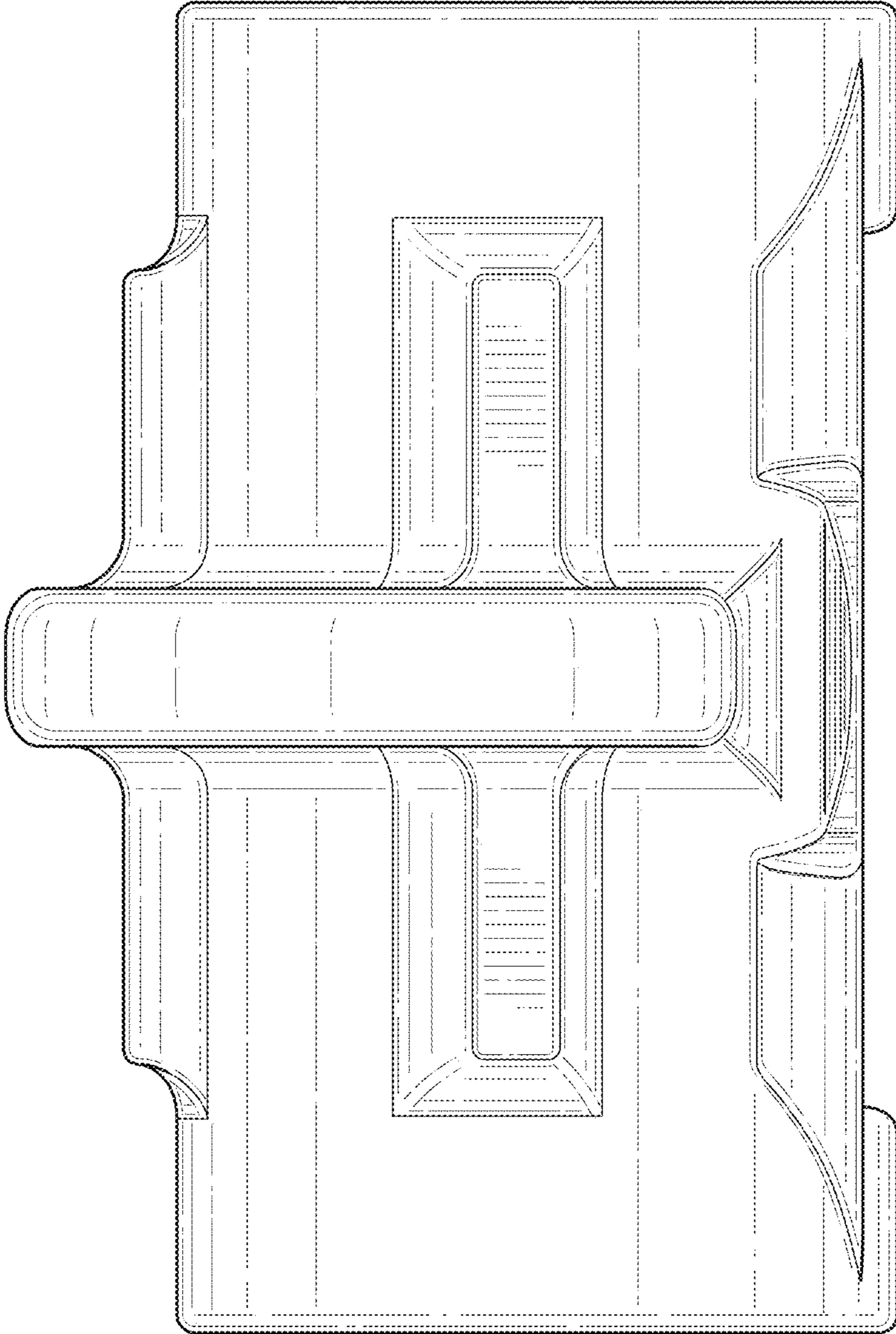


FIG. 4

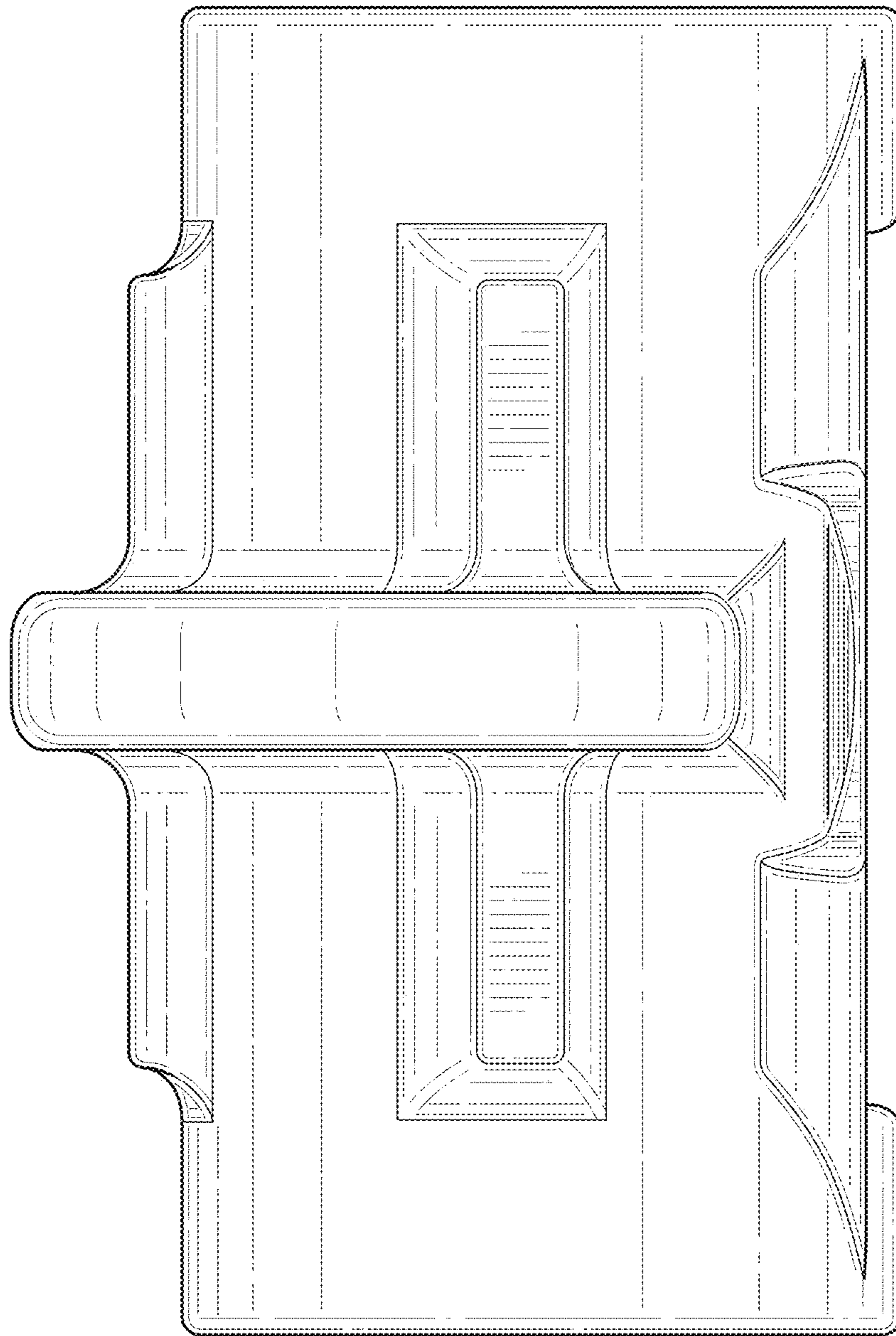


FIG. 5

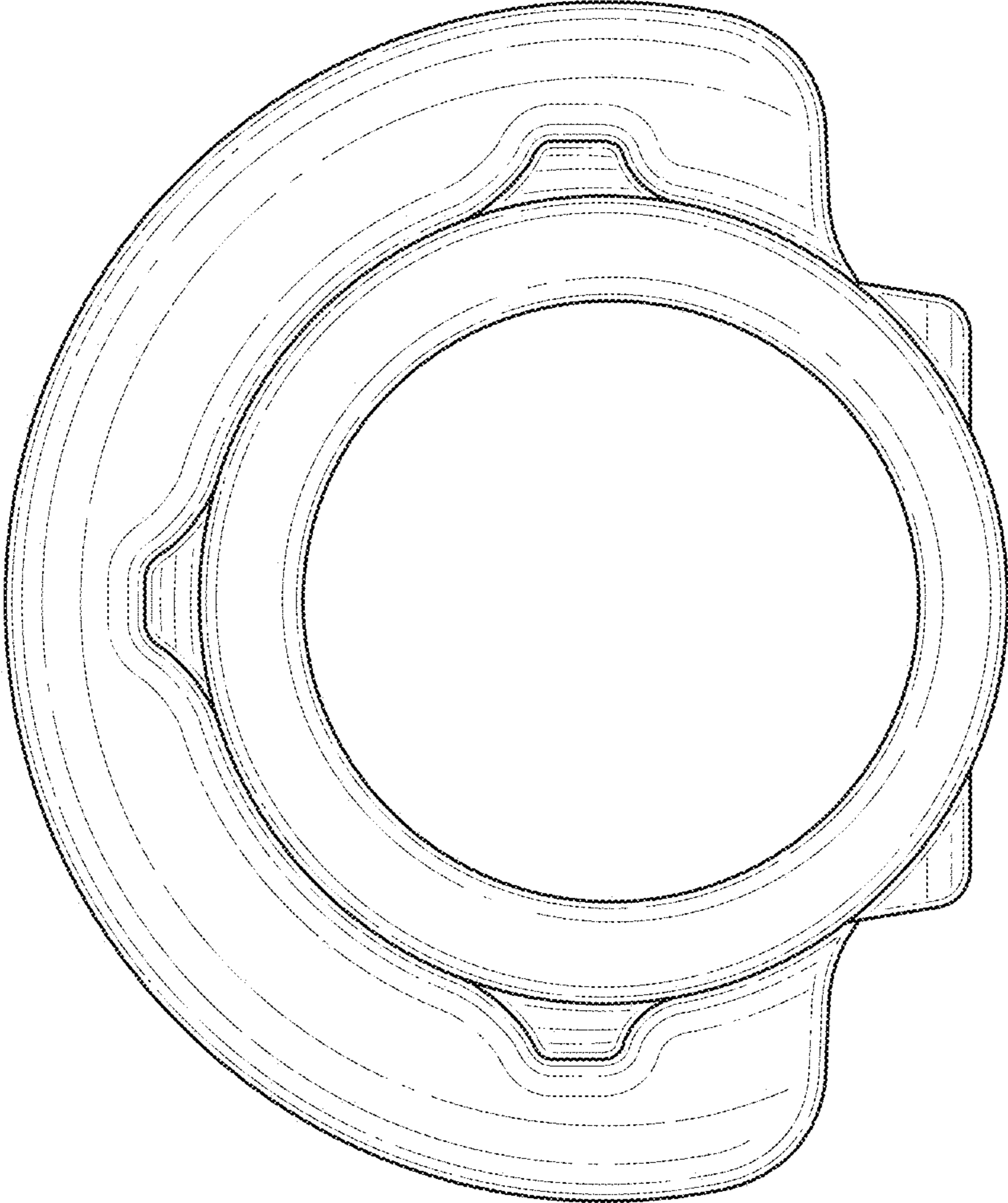


FIG. 6

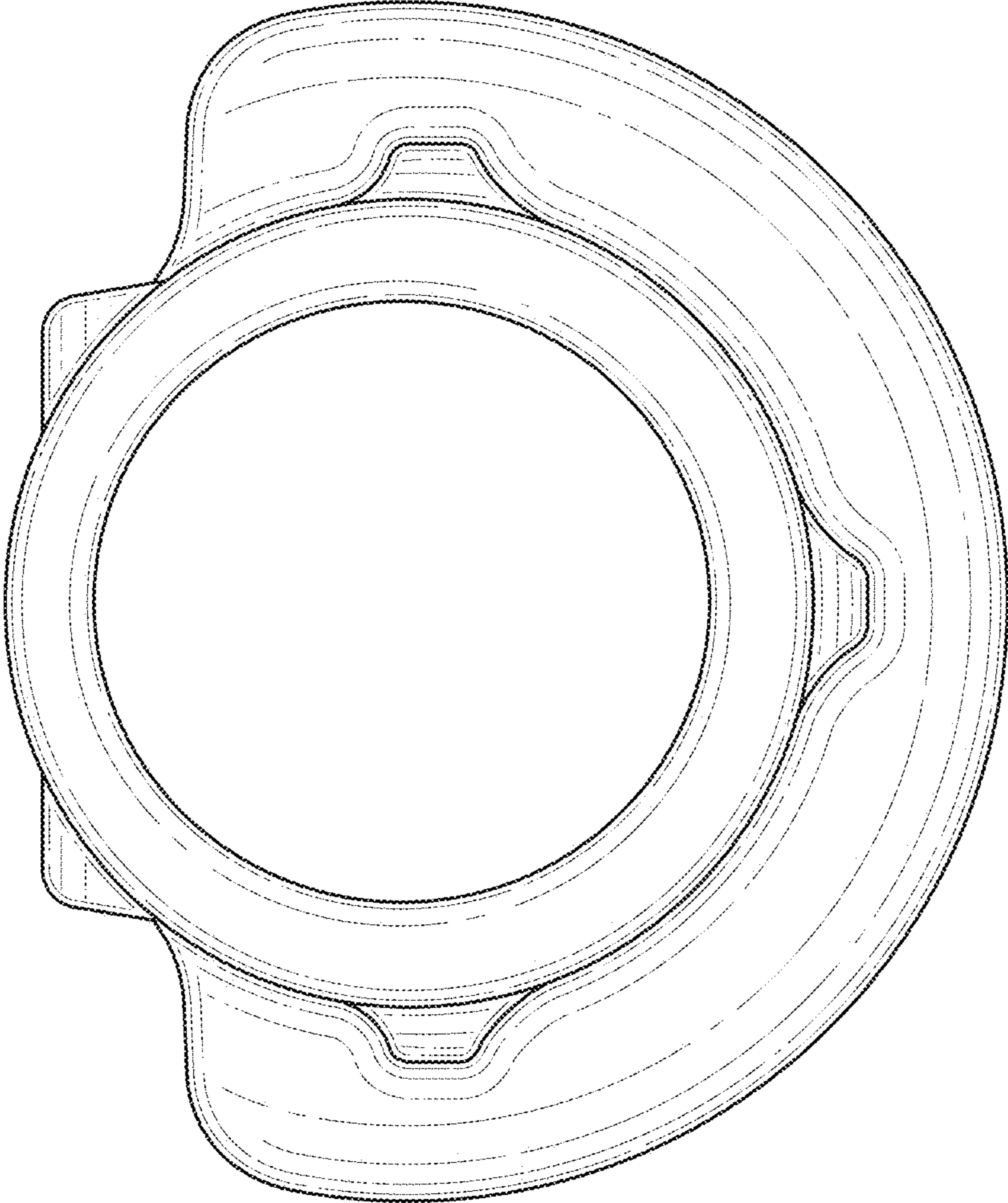


FIG. 7