



US00D871897S

(12) **United States Design Patent**
Wellington et al.

(10) **Patent No.:** **US D871,897 S**
(45) **Date of Patent:** **** Jan. 7, 2020**

- (54) **UTILITY CART LADDER HOOK**
- (71) Applicant: **GLOBAL INDUSTRIAL DISTRIBUTION INC.**, Port Washington, NY (US)
- (72) Inventors: **Harry Wellington**, Port Washington, NY (US); **Bruce Zutler**, Port Washington, NY (US); **Richard Leeds**, Port Washington, NY (US); **Daniel Doodnauth**, Port Washington, NY (US)
- (73) Assignee: **GLOBAL INDUSTRIAL DISTRIBUTION INC.**, Port Washington, NY (US)
- (**) Term: **15 Years**
- (21) Appl. No.: **29/663,008**
- (22) Filed: **Sep. 11, 2018**
- (51) **LOC (12) Cl.** **08-05**
- (52) **U.S. Cl.**
USPC **D8/367**; D8/310
- (58) **Field of Classification Search**
USPC D8/367, 354, 394, 18, 105, 356, 310, D8/312, 300; D11/208, 218; 248/341; D6/323
CPC F16M 13/02; A44B 13/0029; A45F 5/021; A45F 5/02; F16B 45/00; A47G 25/00; A47G 1/00
See application file for complete search history.

- D373,948 S * 9/1996 Etzel D8/367
- D391,146 S * 2/1998 Cutler D8/367
- D393,587 S * 4/1998 Valerio D8/367
- 5,738,319 A * 4/1998 Grassi A47G 7/044
248/215
- 5,970,777 A * 10/1999 Hunt B42F 1/06
29/13
- 6,457,218 B1 * 10/2002 Lawrence B42F 1/10
24/3.12
- 6,543,737 B2 * 4/2003 Decker A47K 10/185
248/316.1
- D478,499 S * 8/2003 Winig D8/367
- D494,050 S * 8/2004 Klein D6/513
- 7,234,671 B2 * 6/2007 Avinger A01G 5/04
248/215
- D554,484 S * 11/2007 Dahlin D8/367
- D584,939 S * 1/2009 Snell D8/367
- D597,666 S * 8/2009 George D24/128
- D601,880 S * 10/2009 Veilleux D8/367
- D605,934 S * 12/2009 Mirer D8/395
- D613,589 S * 4/2010 Goodman D8/367
- 7,992,833 B1 * 8/2011 Goodman A47G 25/0614
248/298.1
- D655,407 S * 3/2012 Adams D24/128
- D674,681 S * 1/2013 Gorman D8/367

(Continued)

Primary Examiner — Cynthia R Underwood

(74) *Attorney, Agent, or Firm* — Troutman Sanders LLP

(57) **CLAIM**

We claim the ornamental design for a utility cart ladder hook, substantially as shown and described.

DESCRIPTION

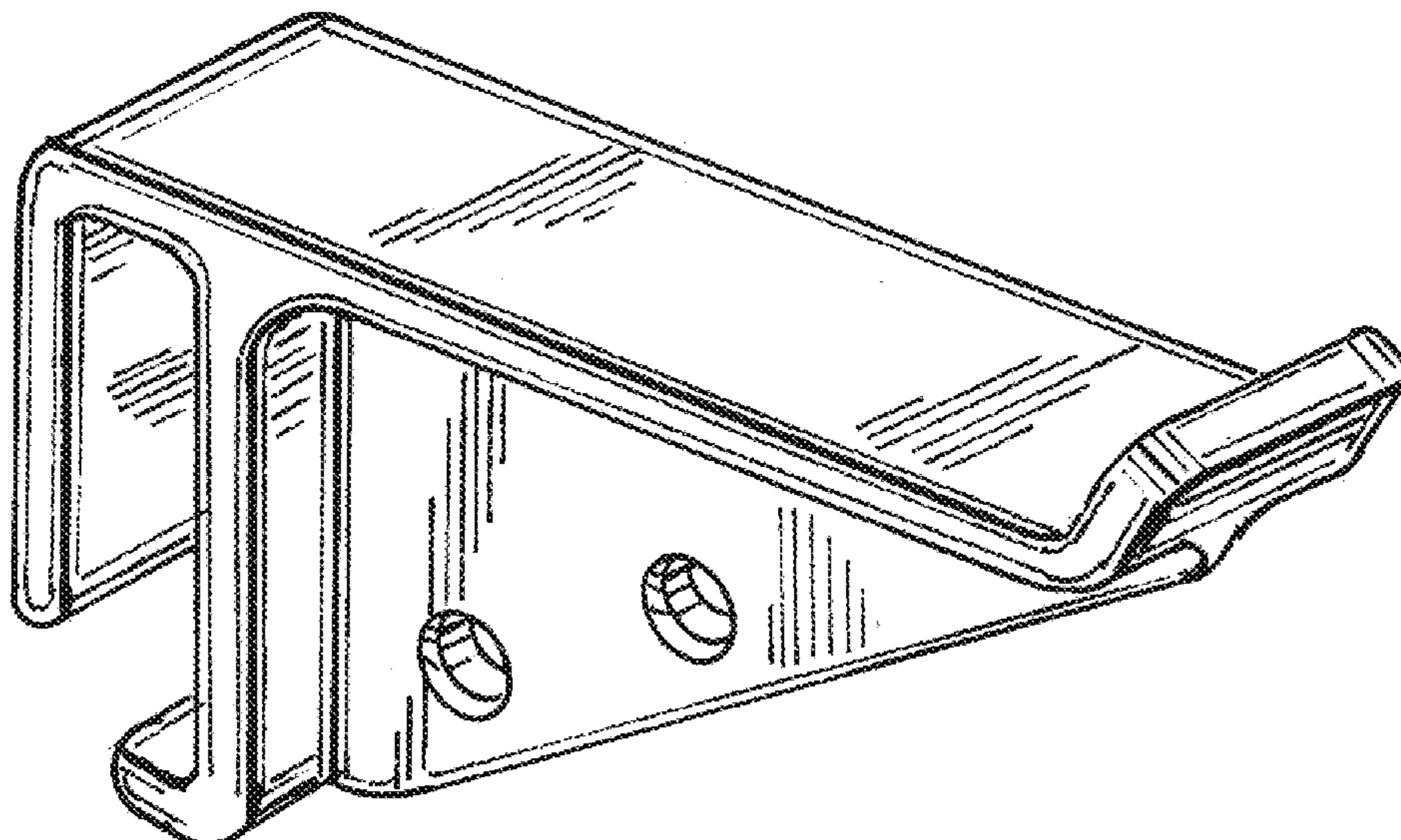
FIG. 1 is a top front perspective view of a utility cart ladder hook;
FIG. 2 is a top back perspective view thereof;
FIG. 3 is a top view thereof;
FIG. 4 is a side view thereof; and,
FIG. 5 is a back view thereof.

1 Claim, 1 Drawing Sheet

(56) **References Cited**

U.S. PATENT DOCUMENTS

- 3,089,597 A * 5/1963 Seymour A47K 10/185
221/46
- D342,889 S * 1/1994 Adams D8/367
- D363,453 S * 10/1995 Herdt D11/78.1
- D373,526 S * 9/1996 Roethler D8/367



(56)

References Cited

U.S. PATENT DOCUMENTS

D694,613 S * 12/2013 Miles D8/367
 D697,785 S * 1/2014 Davis D8/367
 8,672,002 B2 * 3/2014 Stein A45C 13/001
 150/104
 D714,626 S * 10/2014 Trifari, Jr. D8/354
 D721,264 S * 1/2015 Babicki D8/367
 9,107,526 B2 * 8/2015 Rife A47G 29/083
 D746,127 S * 12/2015 Cohen D8/367
 D757,513 S * 5/2016 Heins D8/40
 D766,707 S * 9/2016 Greenleaf D8/367
 9,433,261 B1 * 9/2016 Miles A44B 13/0029
 D773,041 S * 11/2016 Lentsch D24/128
 9,528,655 B1 * 12/2016 Miles F16M 13/022
 D784,044 S * 4/2017 Sokoly D6/552
 D802,399 S * 11/2017 Ward D8/367
 D819,431 S * 6/2018 Goodman D8/367
 D827,315 S * 9/2018 Taylor D6/323
 D834,338 S * 11/2018 Taylor D6/323
 D837,040 S * 1/2019 Connor D8/367
 D839,721 S * 2/2019 Downey D8/367
 D840,791 S * 2/2019 Caudle D8/367
 D844,782 S * 4/2019 Arora D24/130
 D849,516 S * 5/2019 Johnson D8/367
 D850,244 S * 6/2019 Goodman D8/367
 2004/0178240 A1 * 9/2004 Bauer A45F 5/02
 224/268
 2015/0150389 A1 * 6/2015 Nilsson B25H 3/04
 248/220.42

* cited by examiner

FIG. 1

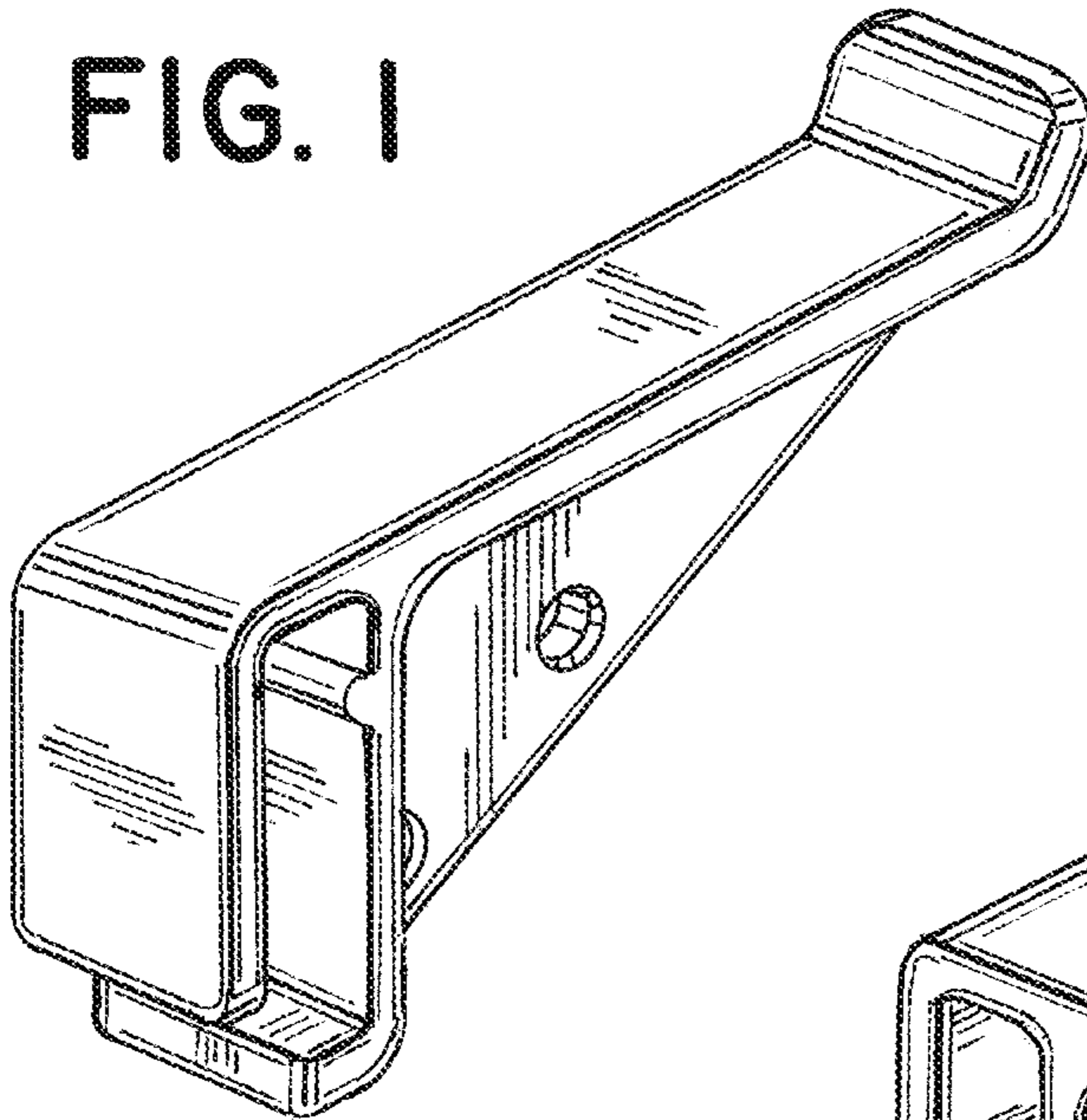


FIG. 2

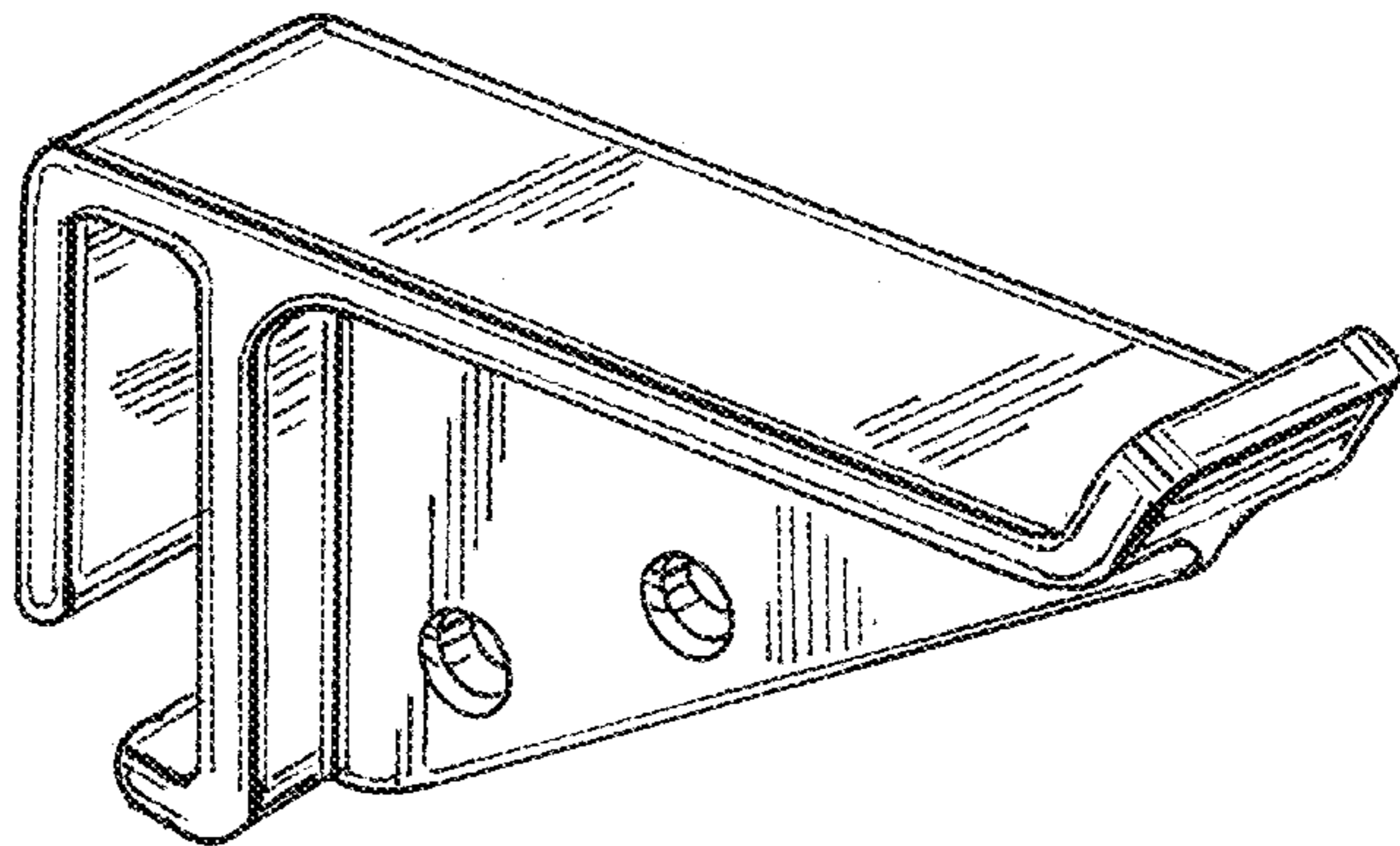


FIG. 3

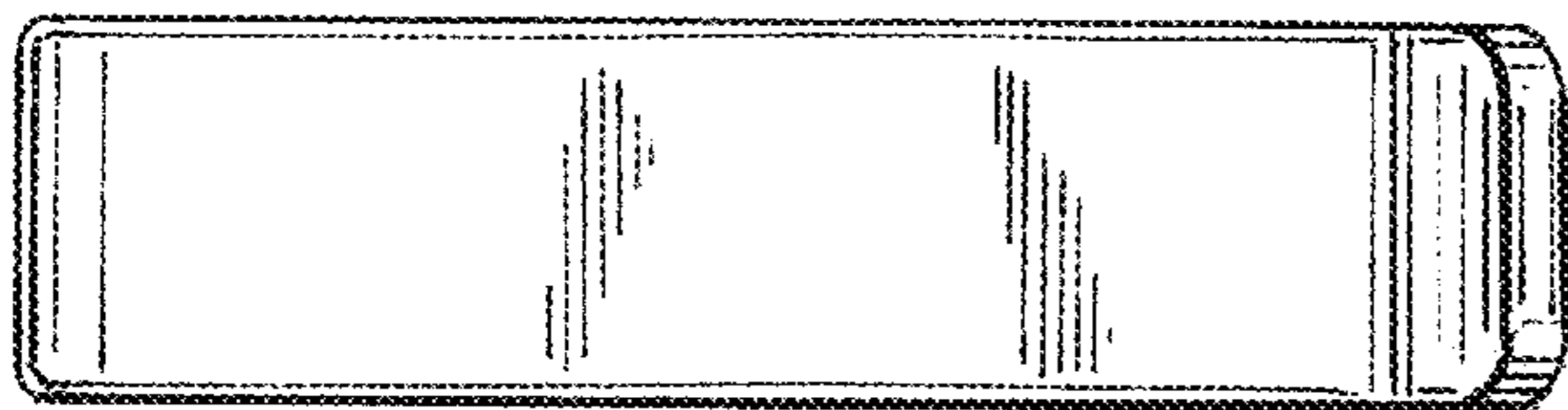


FIG. 5

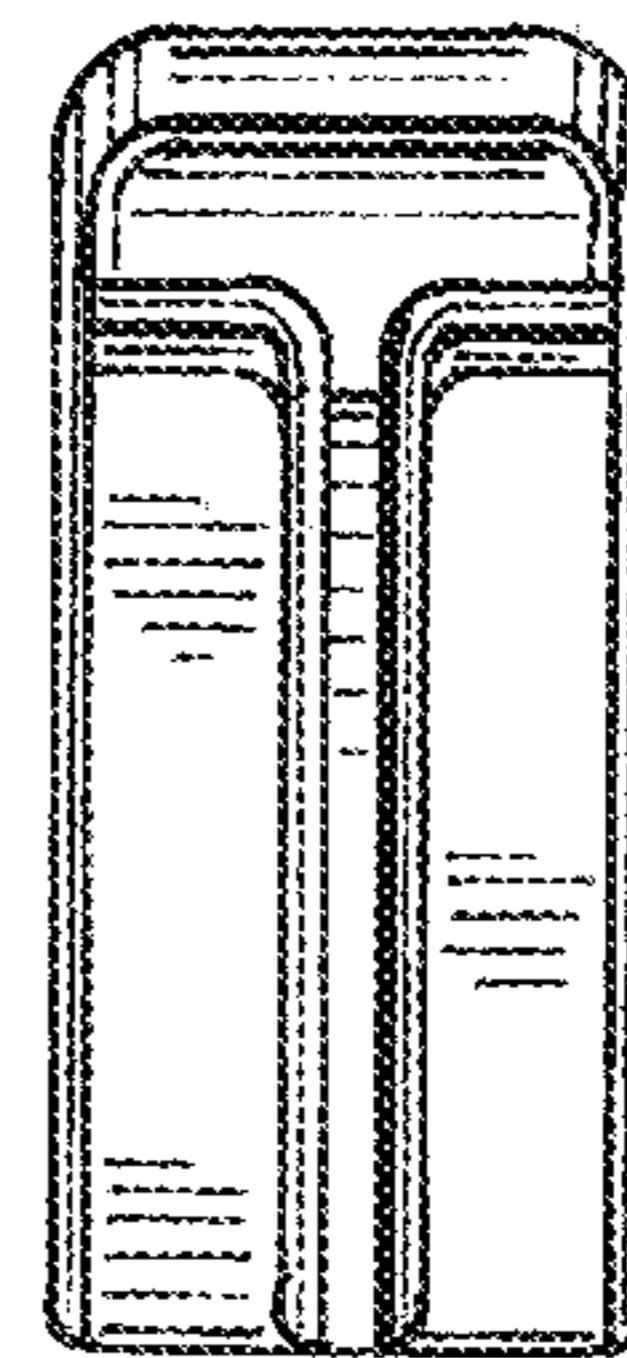


FIG. 4

