



US00D871896S

(12) **United States Design Patent** (10) **Patent No.:** **US D871,896 S**  
**Beukema et al.** (45) **Date of Patent:** **\*\* Jan. 7, 2020**

(54) **HOOK**

(71) Applicant: **STEELCASE INC.**, Grand Rapids, MI (US)

(72) Inventors: **Steven James Beukema**, Grand Rapids, MI (US); **Devon Robert Robinson**, Ann Arbor, MI (US); **Ryan Jerome Ramos**, Grand Rapids, MI (US)

(73) Assignee: **Steelcase Inc.**, Grand Rapids, MI (US)

(\*\*) Term: **15 Years**

(21) Appl. No.: **29/582,634**

(22) Filed: **Oct. 28, 2016**

(51) **LOC (12) Cl.** ..... **08-05**

(52) **U.S. Cl.**  
USPC ..... **D8/363**

(58) **Field of Classification Search**  
USPC .... D8/16, 19, 349, 354, 355, 363, 364, 367, D8/370-373, 376, 382, 384-386, 389; D6/705.6, 546, 535, 566, 553, 525, 677.2, D6/677.5, 675.2, 675.5; D23/223, 238, D23/252, 257, 259  
CPC ..... A47G 7/04; A47G 7/044; A47G 7/047; A47K 1/09  
See application file for complete search history.

(56) **References Cited**

**U.S. PATENT DOCUMENTS**

532,109 A 1/1895 Stinchcomb  
1,333,600 A 3/1920 Bell  
1,682,855 A 9/1928 Rose  
1,714,422 A 5/1929 Hanson  
1,832,002 A 11/1931 Clarke

(Continued)

**FOREIGN PATENT DOCUMENTS**

DE 153893 12/1903  
DE 462913 11/1927

(Continued)

**OTHER PUBLICATIONS**

Pinterest—The world’s catalog of ideas: Explore Hockey Room, Hockey Stick Coat Rack, and more!, obtained from the internet on Jun. 15, 2016 from: <https://www.pinterest.com/pin/227009637438826549/>, 4 pgs.

*Primary Examiner* — Ian Simmons

*Assistant Examiner* — Yolanda Robinson

(74) *Attorney, Agent, or Firm* — Brinks Gilson & Lione

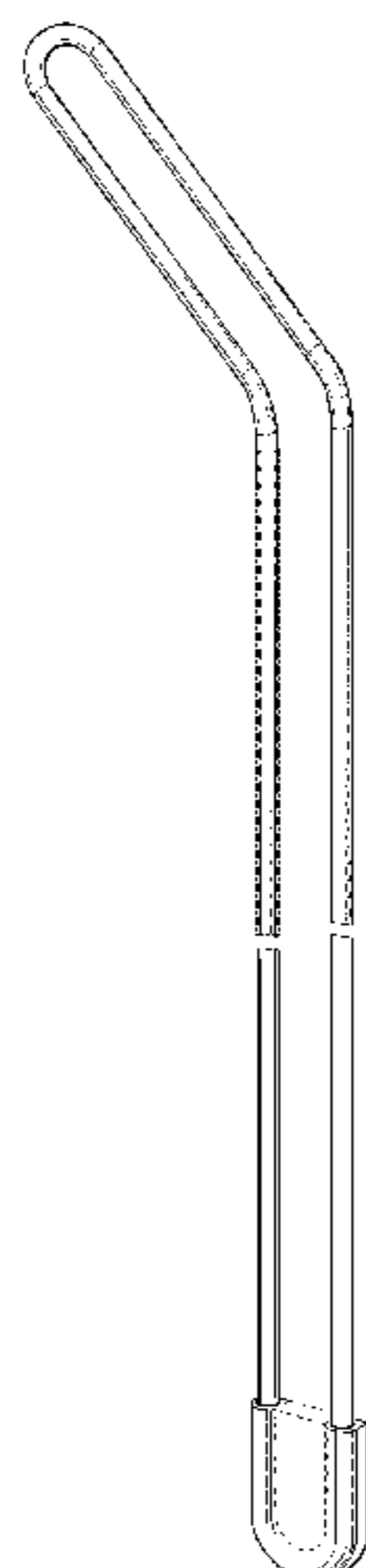
(57) **CLAIM**

The ornamental design for a hook, as shown and described.

**DESCRIPTION**

FIG. 1 is a top front perspective view of a first embodiment of a hook of the present design; FIG. 2 is a front elevation view thereof; FIG. 3 is a right side elevation view thereof; FIG. 4 is a top plan view thereof; FIG. 5 is a bottom plan view thereof; FIG. 6 is a rear elevation view thereof; and FIG. 7 is a left side elevation view thereof; FIG. 8 is a top front perspective view of a second embodiment of a hook of the present design; FIG. 9 is a rear front elevation view thereof; FIG. 10 is a right side elevation view thereof; FIG. 11 is a top plan view thereof; FIG. 12 is a bottom plan view thereof; FIG. 13 is a left side elevation view thereof; and, FIG. 14 is a rear elevation view thereof. The hook is shown with a break in its length, in the FIGS. 1-3, 6-10, 13 & 14 with the understanding that the portions of the hook not shown in the drawings form no part of the claim design. Broken lines show boundaries that form no part of the claimed design.

**1 Claim, 6 Drawing Sheets**



(56)

**References Cited**

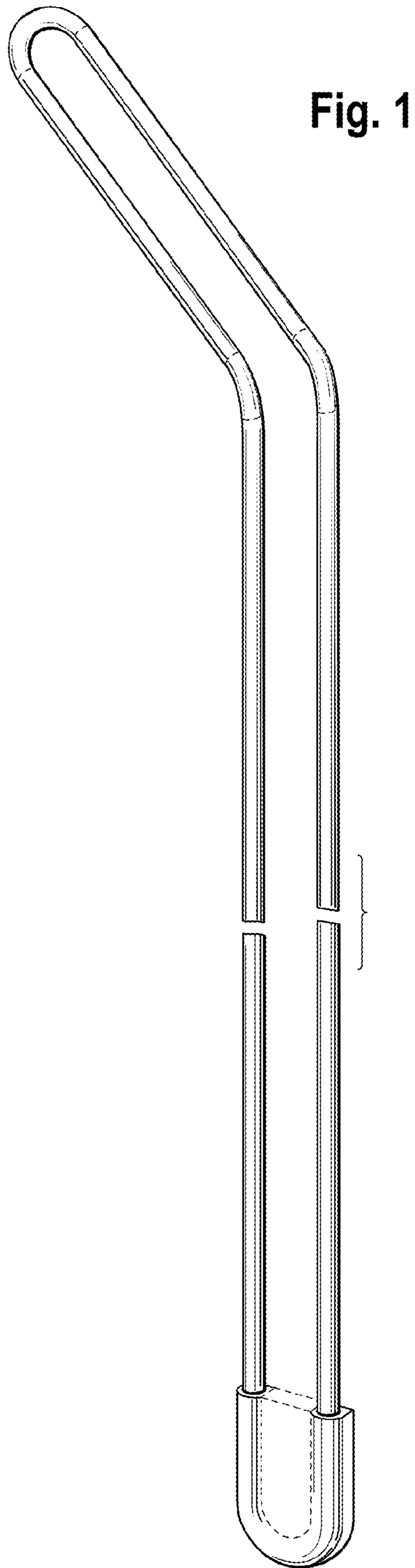
U.S. PATENT DOCUMENTS

1,926,201	A	9/1933	Kahns	
D634,938	S *	3/2011	Guindi .....	D6/514
D727,713	S *	4/2015	Greene .....	D30/119
D751,370	S *	3/2016	McClees .....	D12/416
D756,045	S *	5/2016	Roberson .....	A47L 15/505
				D32/3
D817,250	S *	5/2018	Ziaylek .....	D12/317
D822,470	S *	7/2018	Rowan .....	D8/376
D826,948	S *	8/2018	Xiao .....	D14/447
2008/0111041	A1	5/2008	Drew et al.	

FOREIGN PATENT DOCUMENTS

FR	1176307	4/1959
GB	190803640	2/1909

\* cited by examiner



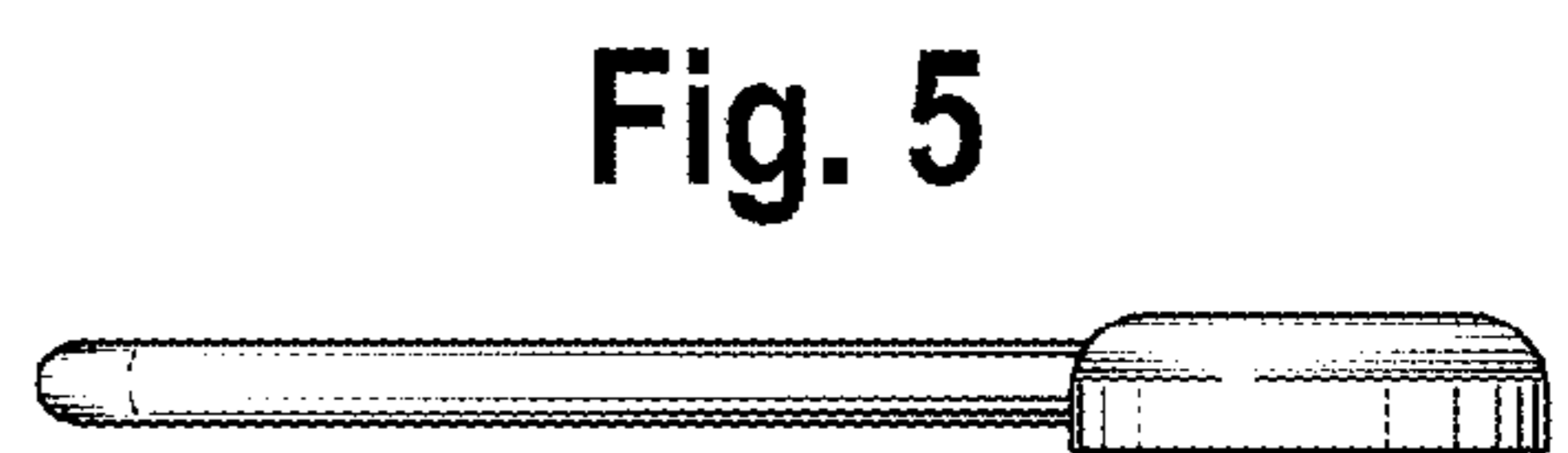
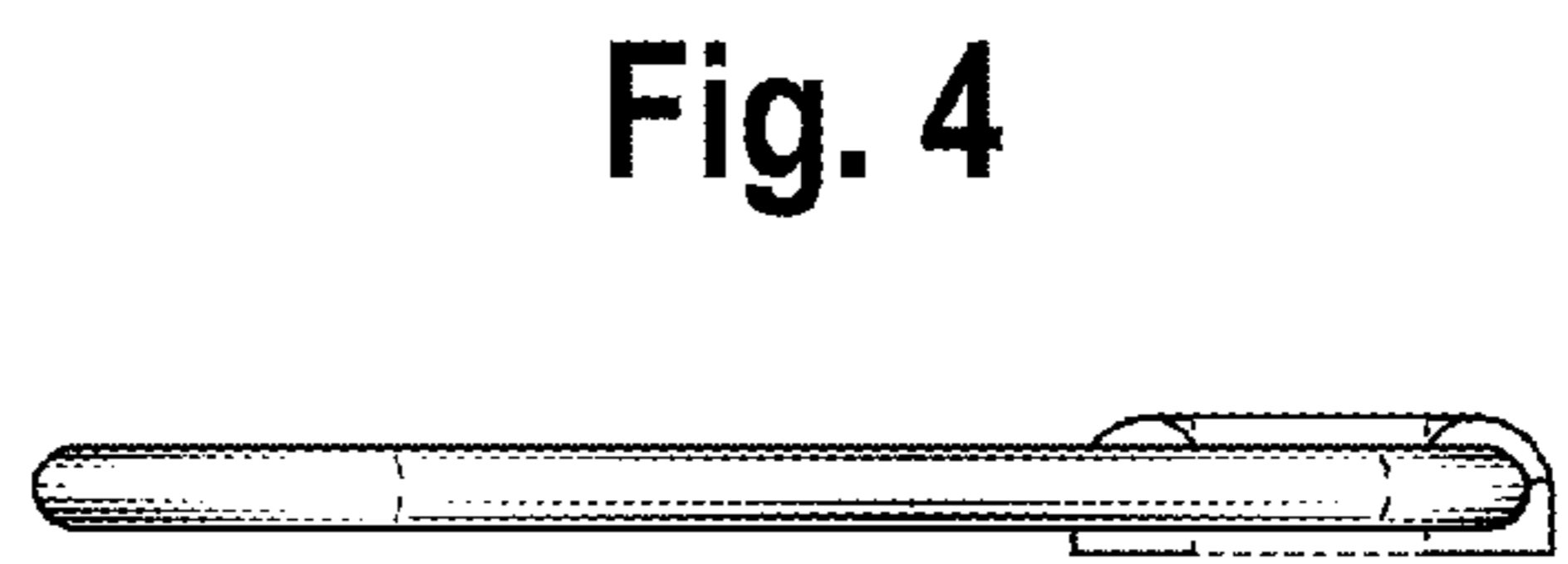
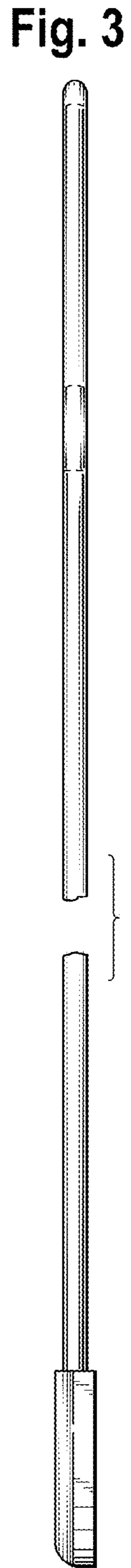
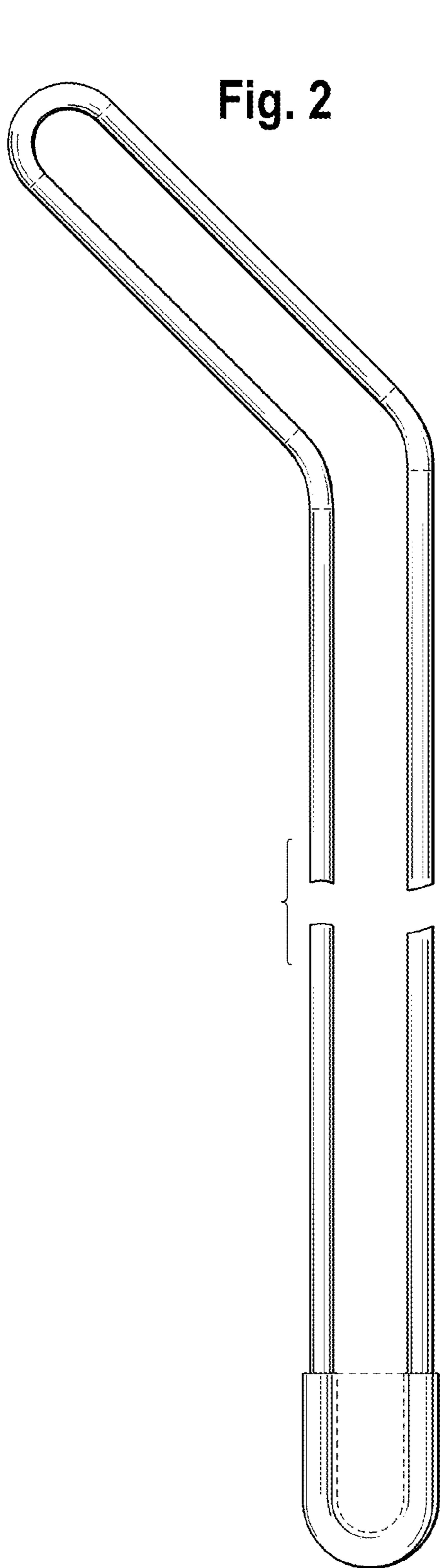


Fig. 6

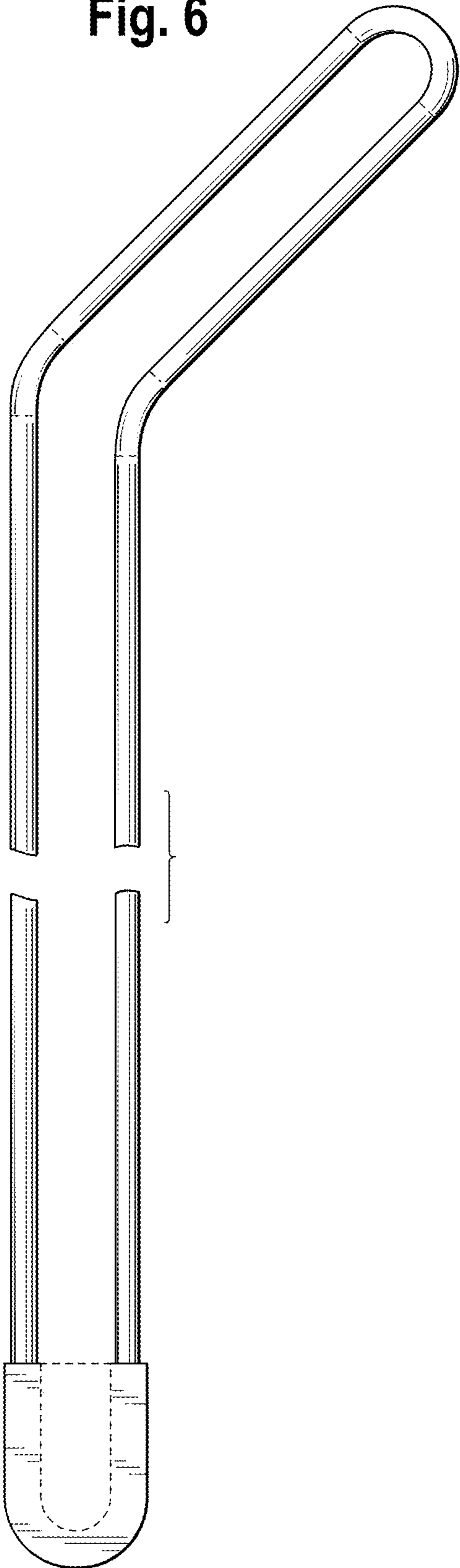


Fig. 7

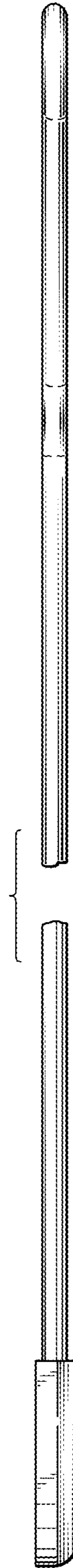


Fig. 8

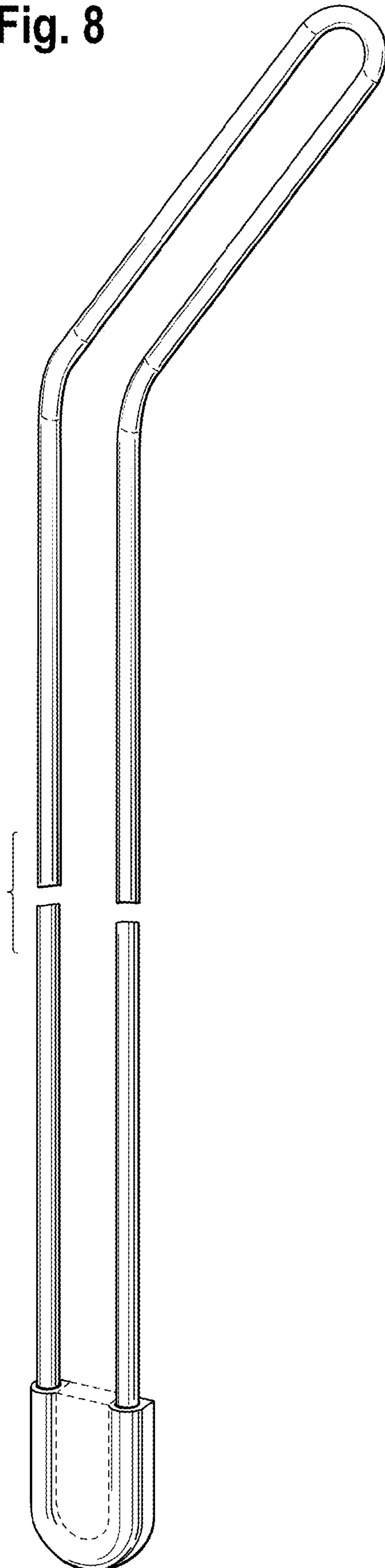




Fig. 9

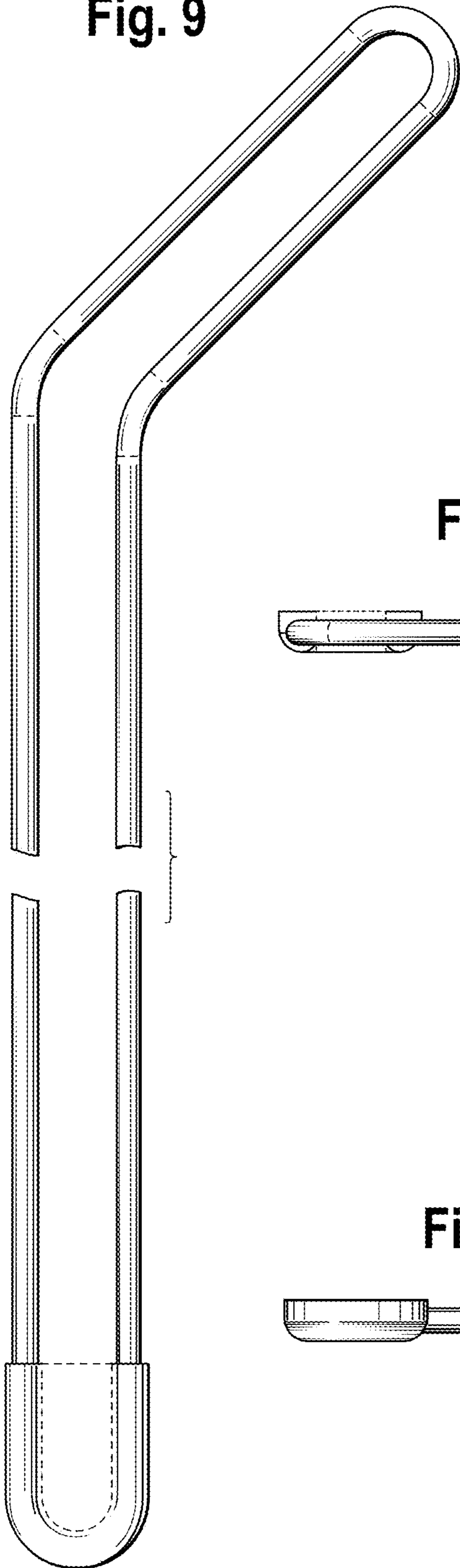


Fig. 11

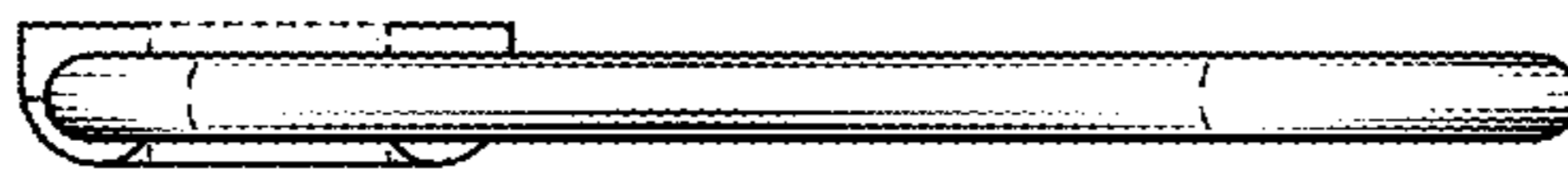


Fig. 12

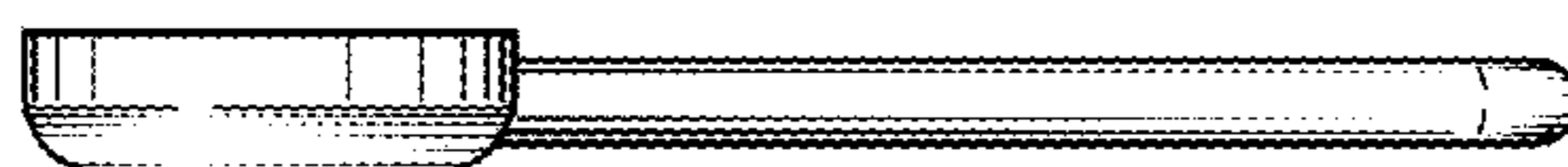


Fig. 10

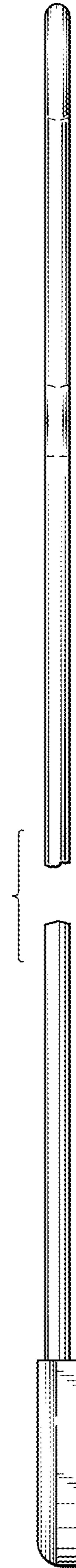


Fig. 13

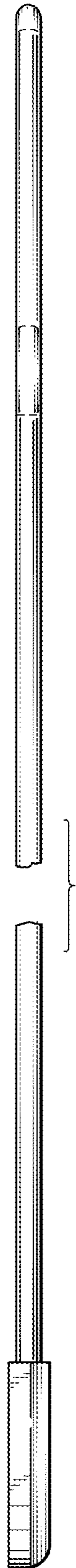


Fig. 14

