



US00D871894S

(12) **United States Design Patent**
Brett

(10) **Patent No.:** **US D871,894 S**
(45) **Date of Patent:** **** Jan. 7, 2020**

- (54) **CORD MANAGEMENT DEVICE**
- (71) Applicant: **HIP Product Factory LTD**, Vancouver (CA)
- (72) Inventor: **Craig Philip Bruce Brett**, Qualicum Beach (CA)
- (73) Assignee: **HIP Product Factory LTD**, Vancouver (CA)
- (**) Term: **15 Years**
- (21) Appl. No.: **29/662,966**
- (22) Filed: **Sep. 11, 2018**
- (51) **LOC (12) Cl.** **09-06**
- (52) **U.S. Cl.**
USPC **D8/356**
- (58) **Field of Classification Search**
USPC D8/367, 356, 354, 349, 105, 380;
24/599.9
CPC B65H 57/16; B63B 21/045; F16B 45/02;
H02J 7/0026
See application file for complete search history.

- 6,189,186 B1 * 2/2001 Boden F16G 11/14
24/115 H
- 6,392,882 B1 * 5/2002 Chen G06F 1/1626
345/205
- 6,405,414 B1 * 6/2002 Byrnes B60R 22/023
24/198
- 6,449,810 B1 * 9/2002 Kuwayama A44C 11/005
24/115 G
- D494,450 S * 8/2004 Schultz D8/356
- D534,065 S * 12/2006 Andre D14/205
- D577,990 S * 10/2008 Andre D14/205
- 7,484,539 B1 * 2/2009 Huang D03D 3/02
139/384 R
- D591,678 S * 5/2009 Whitley D13/133
- 7,654,484 B2 * 2/2010 Mogensen A61M 5/1418
242/402
- D629,803 S * 12/2010 St. Ives D14/396
- D631,730 S * 2/2011 Skillman B65H 75/143
D8/356
- D648,685 S * 11/2011 Symons D13/155
- D667,390 S * 9/2012 Matera D14/223

(Continued)

Primary Examiner — Cynthia R Underwood
(74) *Attorney, Agent, or Firm* — Richards Patent Law P.C.

(57) **CLAIM**

The ornamental design for a cord management device, as shown and described.

DESCRIPTION

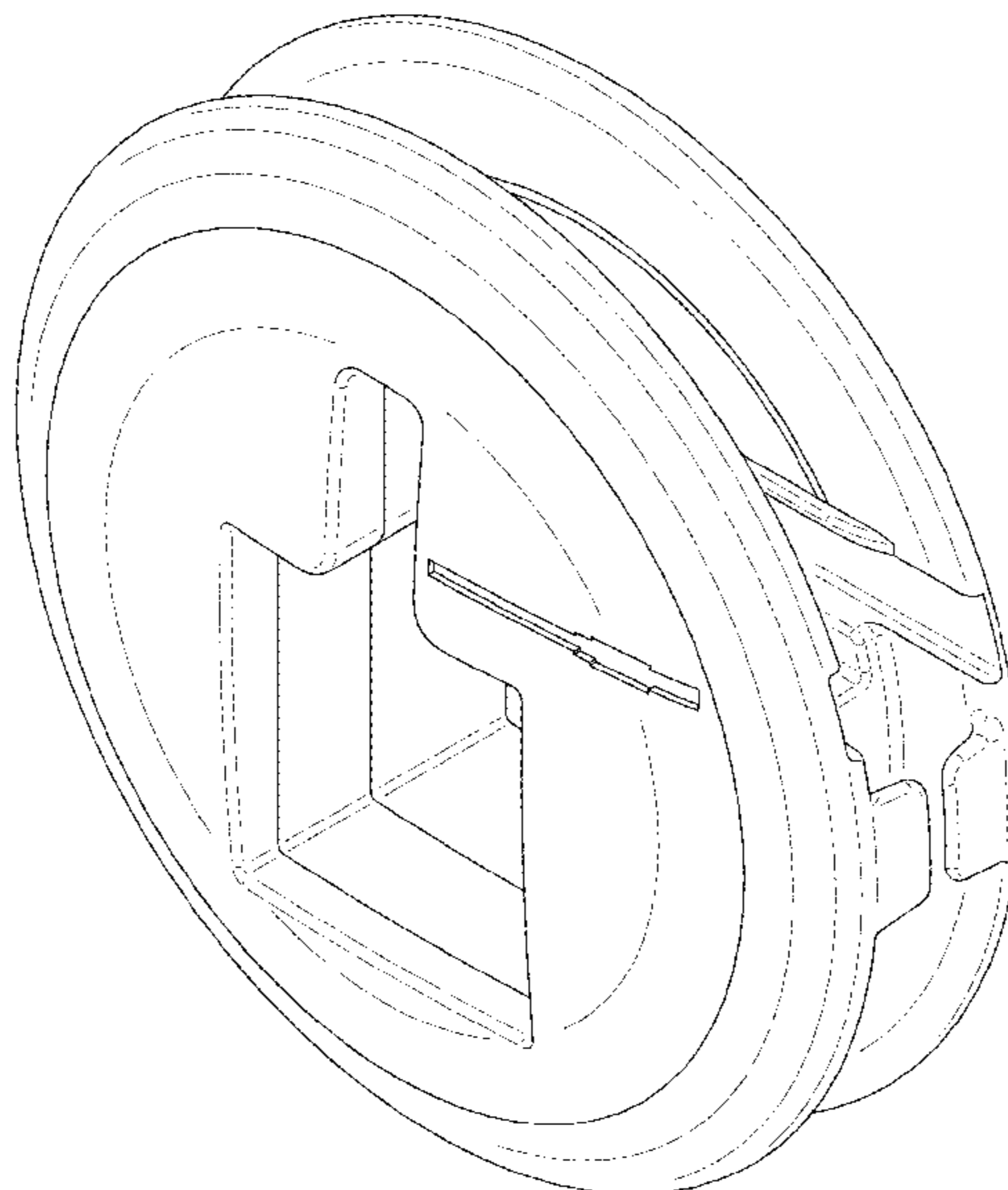
FIG. 1 is an isometric view of a cord management device showing my new design;
FIG. 2 is an inverted isometric view thereof;
FIG. 3 is a front view thereof;
FIG. 4 is a back view thereof;
FIG. 5 is a left side view thereof;
FIG. 6 is a right side view thereof;
FIG. 7 is a top view thereof; and,
FIG. 8 is a bottom view thereof.

1 Claim, 6 Drawing Sheets

(56) **References Cited**

U.S. PATENT DOCUMENTS

- 577,220 A * 2/1897 Whitehead B25J 1/04
15/144.3
- 3,056,309 A * 10/1962 Horste B62D 55/211
305/204
- 3,953,640 A * 4/1976 Takada B60R 21/18
428/188
- 4,048,399 A * 9/1977 Terzaghi H01M 4/765
429/141
- 4,150,798 A * 4/1979 Aragon H02G 11/02
191/12.2 R
- D316,713 S * 5/1991 Sun Kag D14/484
- D372,420 S * 8/1996 Mendez D8/356
- 5,853,136 A * 12/1998 Lai B65H 75/28
242/388.1



(56)

References Cited

U.S. PATENT DOCUMENTS

D679,581 S *	4/2013	Liu	D8/395	D808,778 S *	1/2018	Smeja	H02J 7/0042
D685,771 S *	7/2013	Bertenthal	D14/223					D8/356
8,602,370 B2 *	12/2013	McKenzie	A47G 25/1464	D831,467 S *	10/2018	Crichton	D8/356
				248/215	D842,078 S *	3/2019	Martino	D8/356
D708,052 S *	7/2014	Symons	D8/394	D850,242 S *	6/2019	Gubbins	D8/358
D721,335 S *	1/2015	Smeja	D13/155	10,336,570 B2 *	7/2019	Beggs	B65H 75/406
8,925,158 B2 *	1/2015	Fried	B65D 33/1633	2003/0037416 A1 *	2/2003	Buettell	G09F 21/02
				24/115 G					24/122.6
D728,351 S *	5/2015	Martinson	D8/373	2005/0230143 A1 *	10/2005	Simmons	B65H 75/36
D745,380 S *	12/2015	Williams	D8/394					174/66
D747,413 S *	1/2016	Hoyt Drazen	D19/203	2009/0194630 A1 *	8/2009	Thiyagarajan	B65H 75/4473
D752,955 S *	4/2016	Rowan	D8/356					242/405.1
9,301,580 B1 *	4/2016	Rafaelian	A44C 5/22	2012/0057740 A1 *	3/2012	Rosal	H04R 25/65
D762,588 S *	8/2016	Chin	D13/155					381/380
D763,671 S *	8/2016	Sizelove	D8/394	2013/0017011 A1 *	1/2013	Miron	F16G 11/14
9,468,283 B2 *	10/2016	Meillan	A45F 3/22					403/52
D774,383 S *	12/2016	Kennedy	D8/358	2014/0360771 A1 *	12/2014	Itani	H05K 9/0098
D778,712 S *	2/2017	Kennedy	D8/358					174/354
					2015/0027778 A1 *	1/2015	Murao	H02G 3/0481
									174/72 A

* cited by examiner

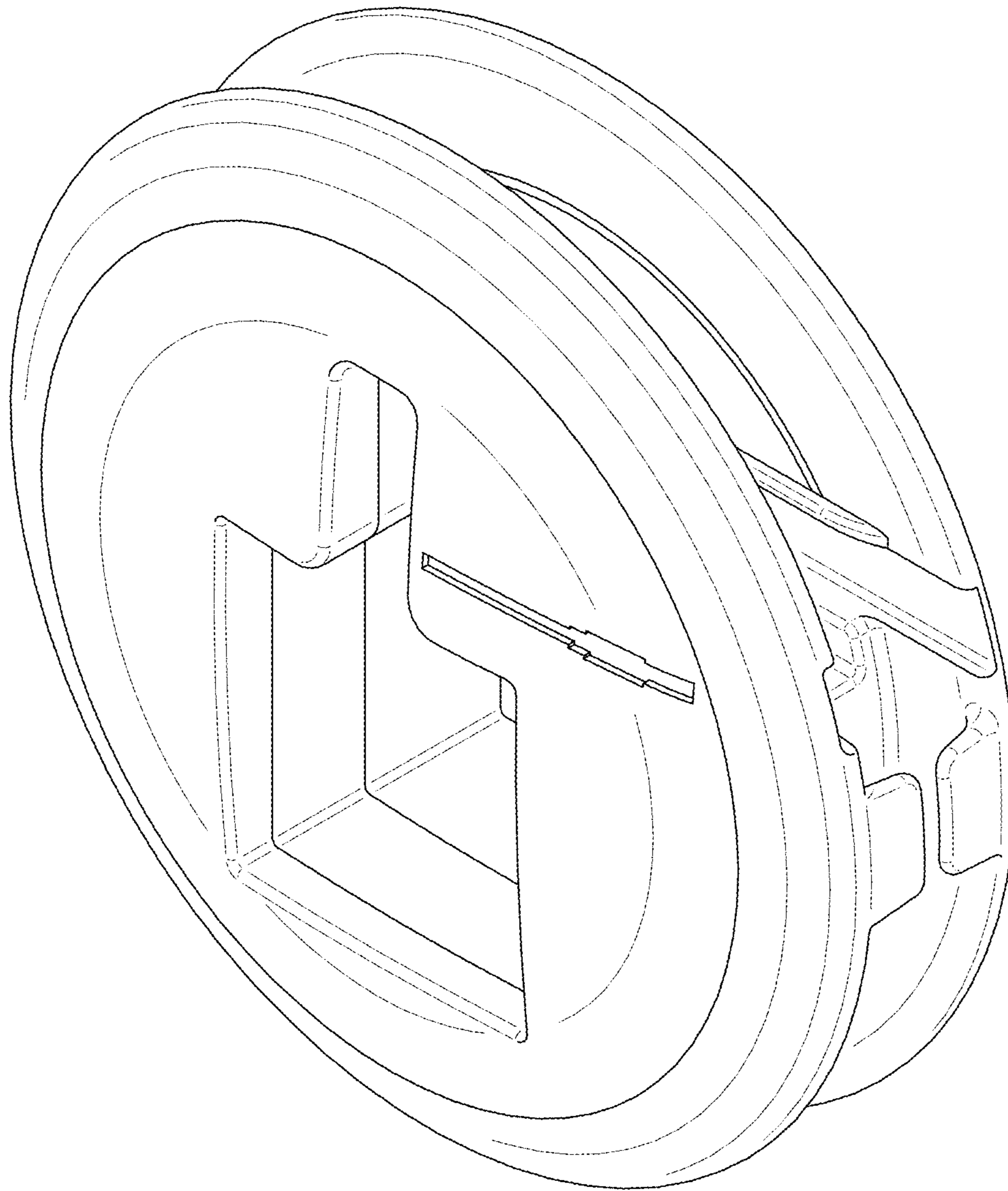


FIG. 1

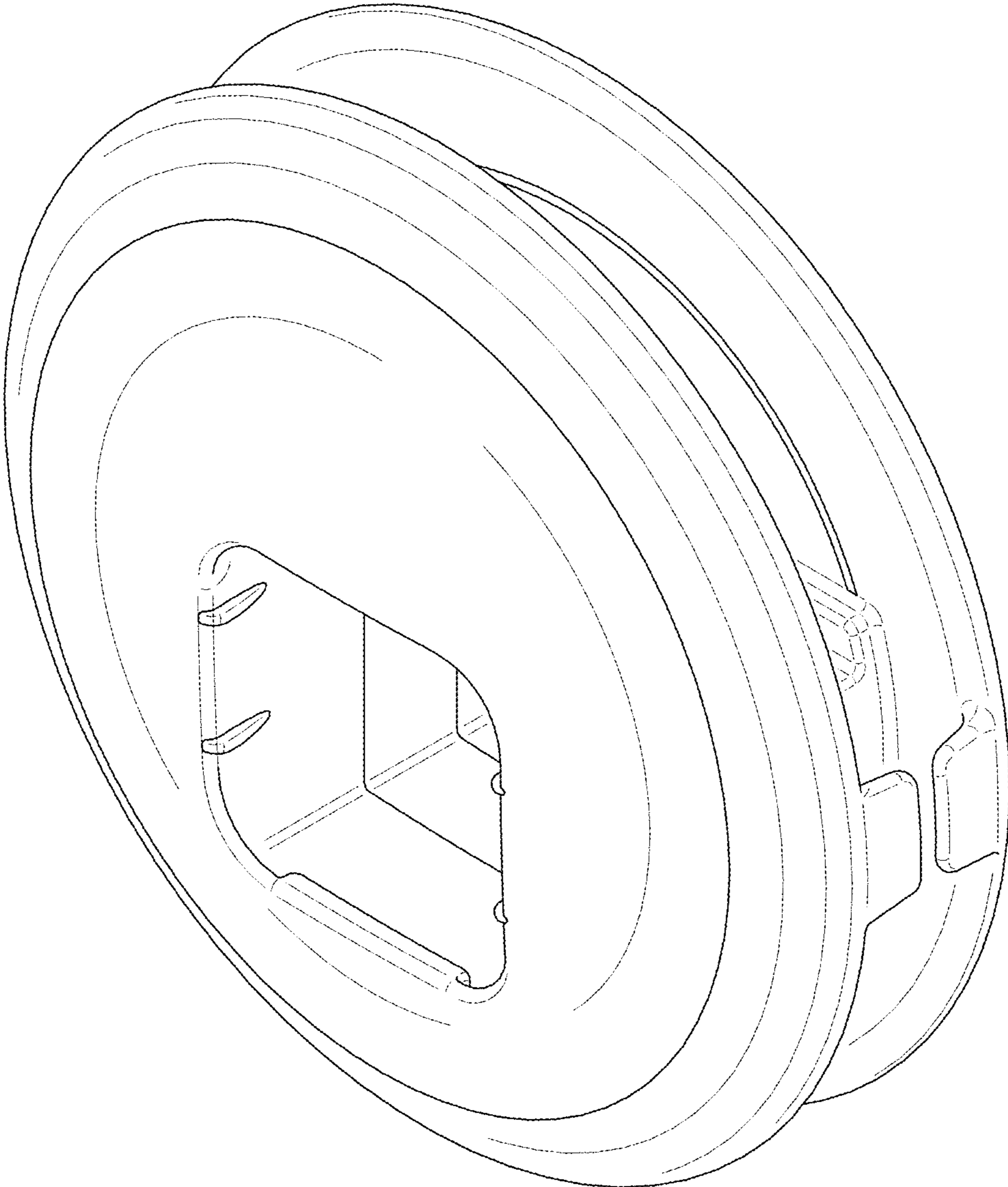


FIG. 2

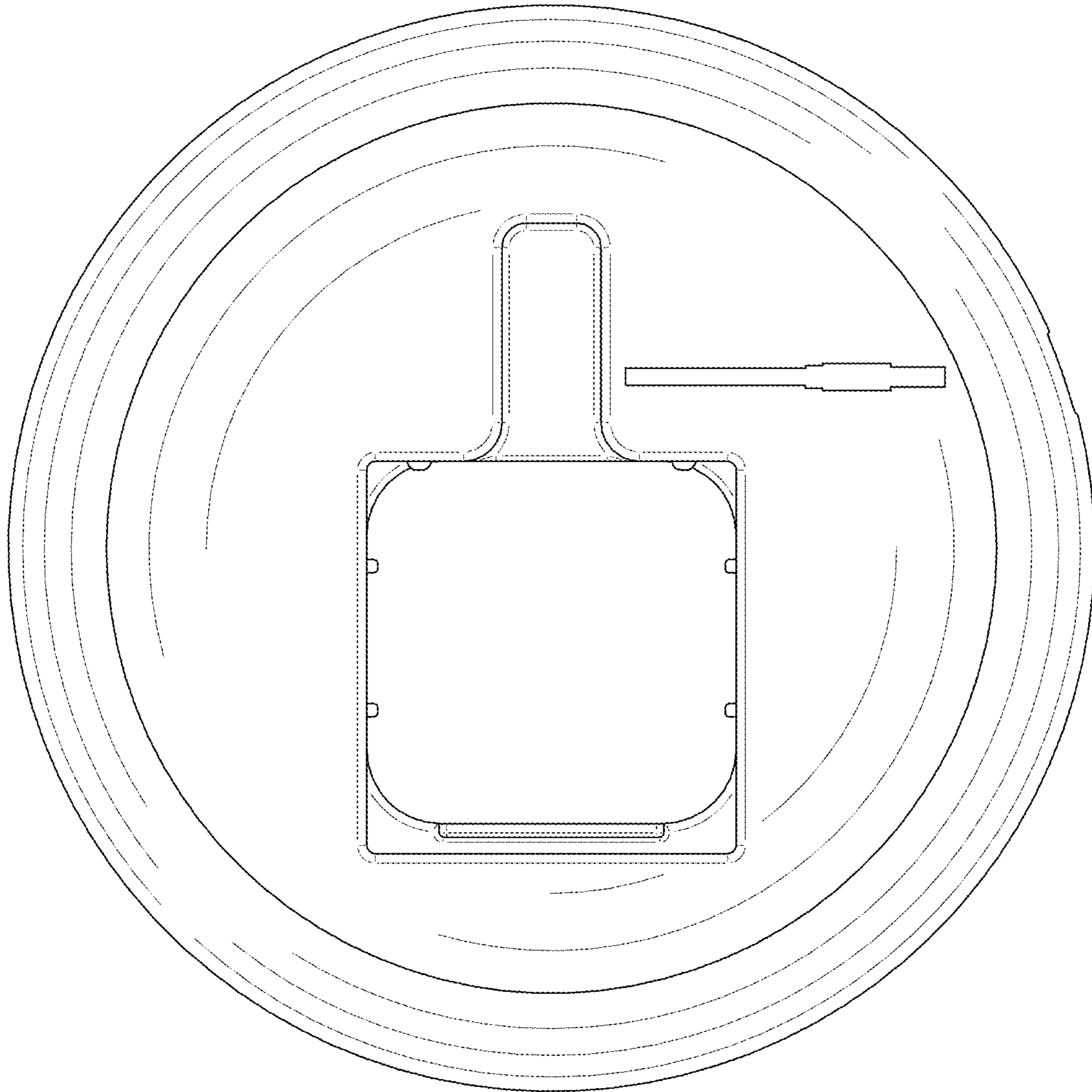


FIG. 3

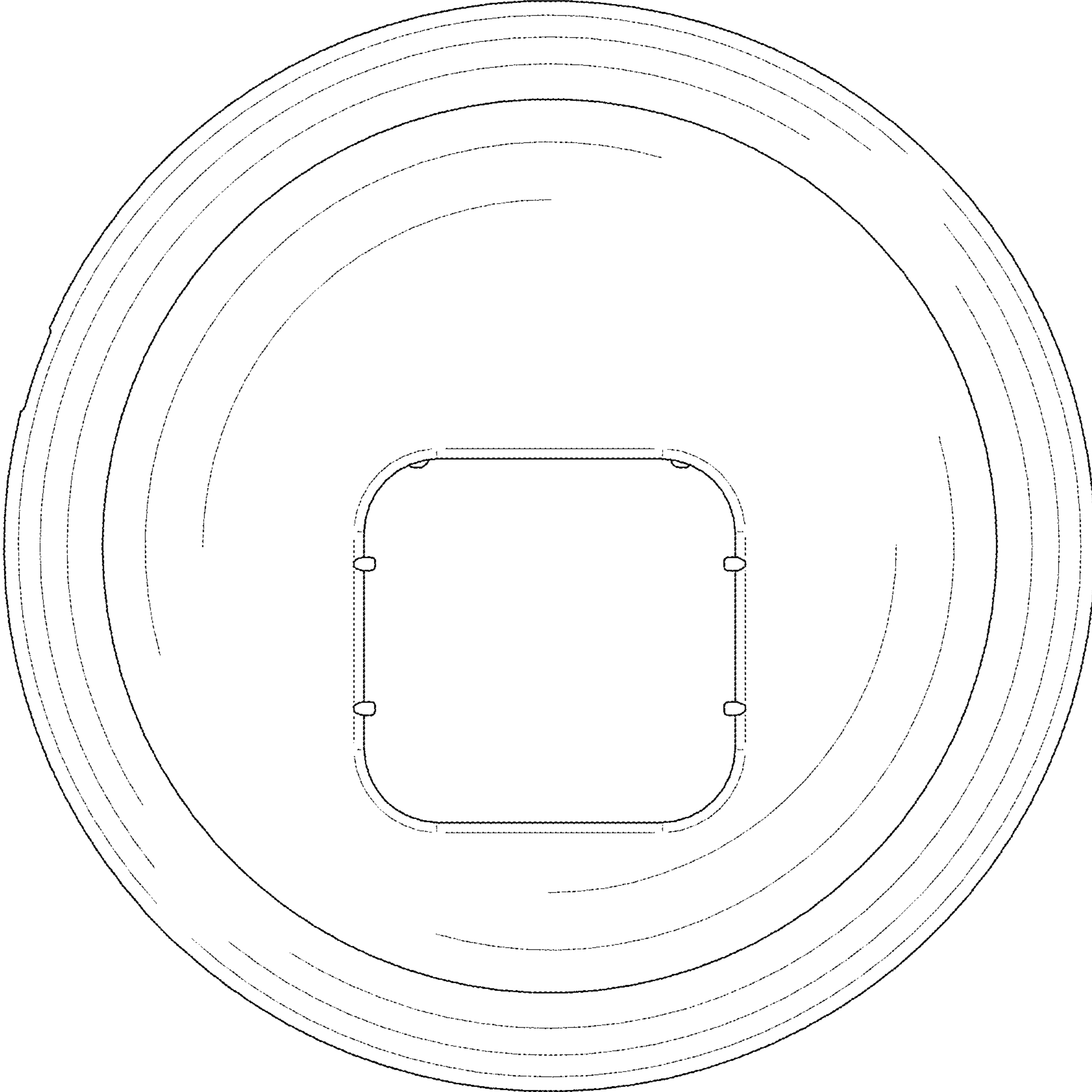


FIG. 4

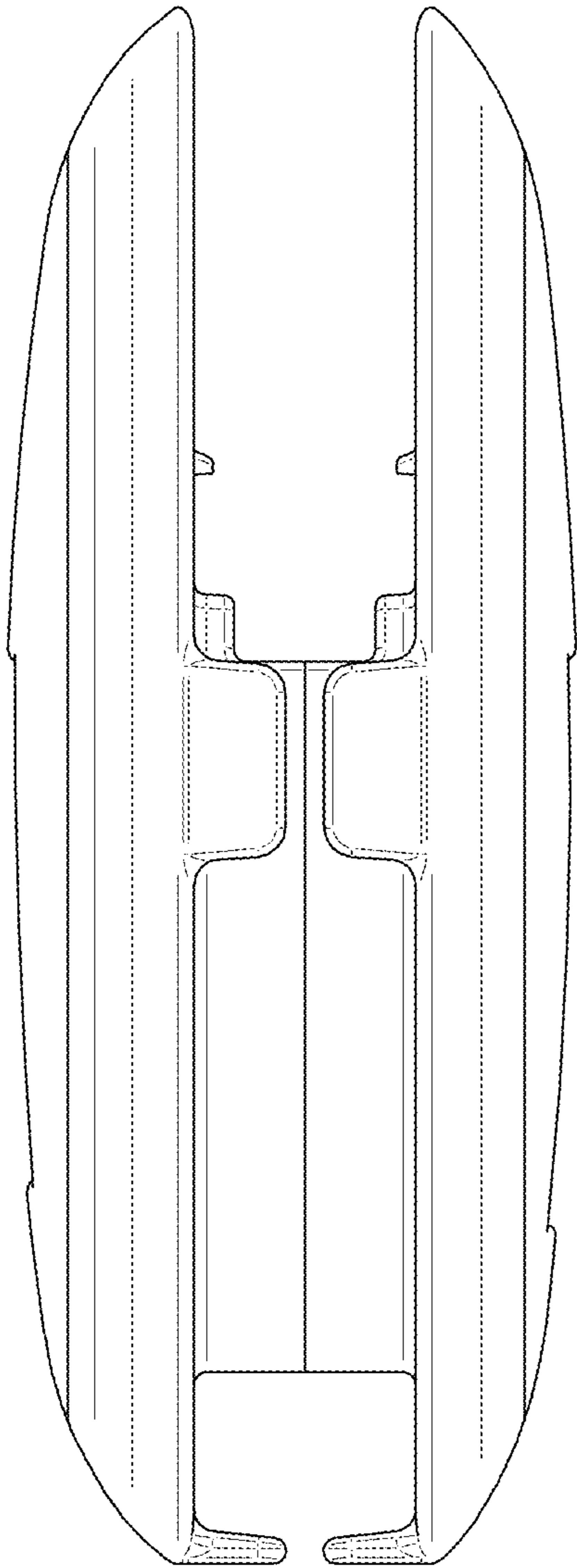


FIG. 5

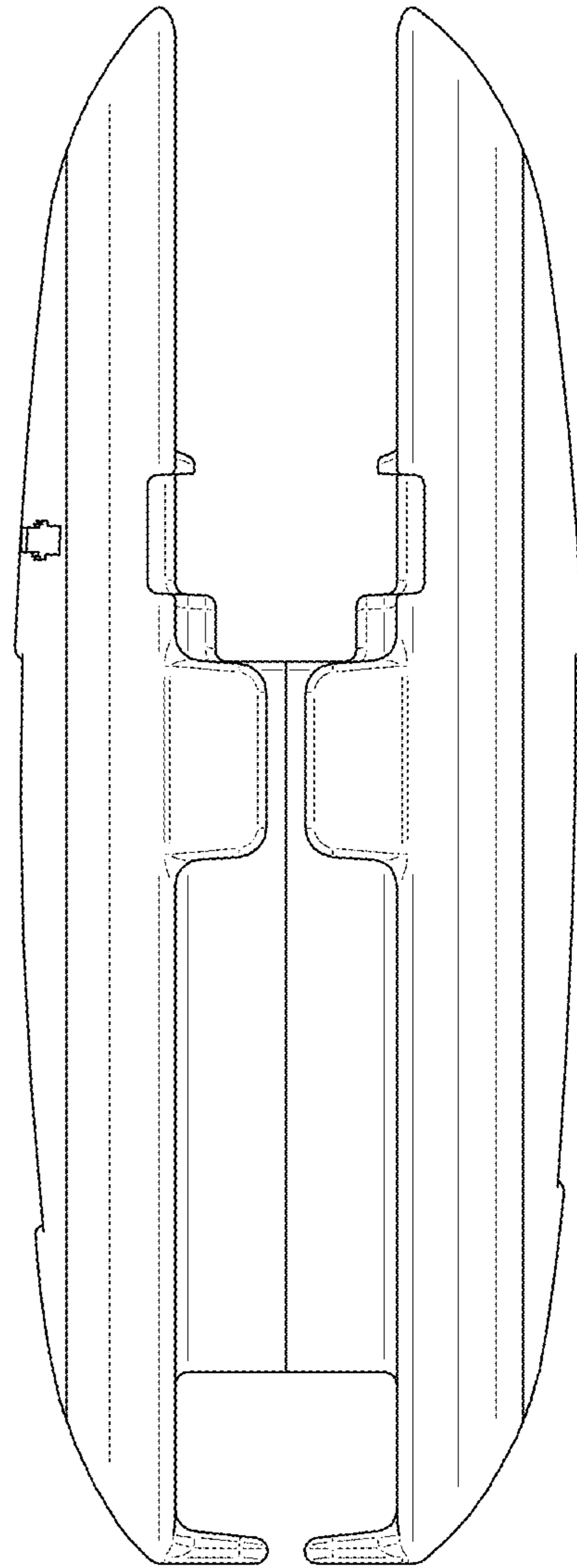


FIG. 6

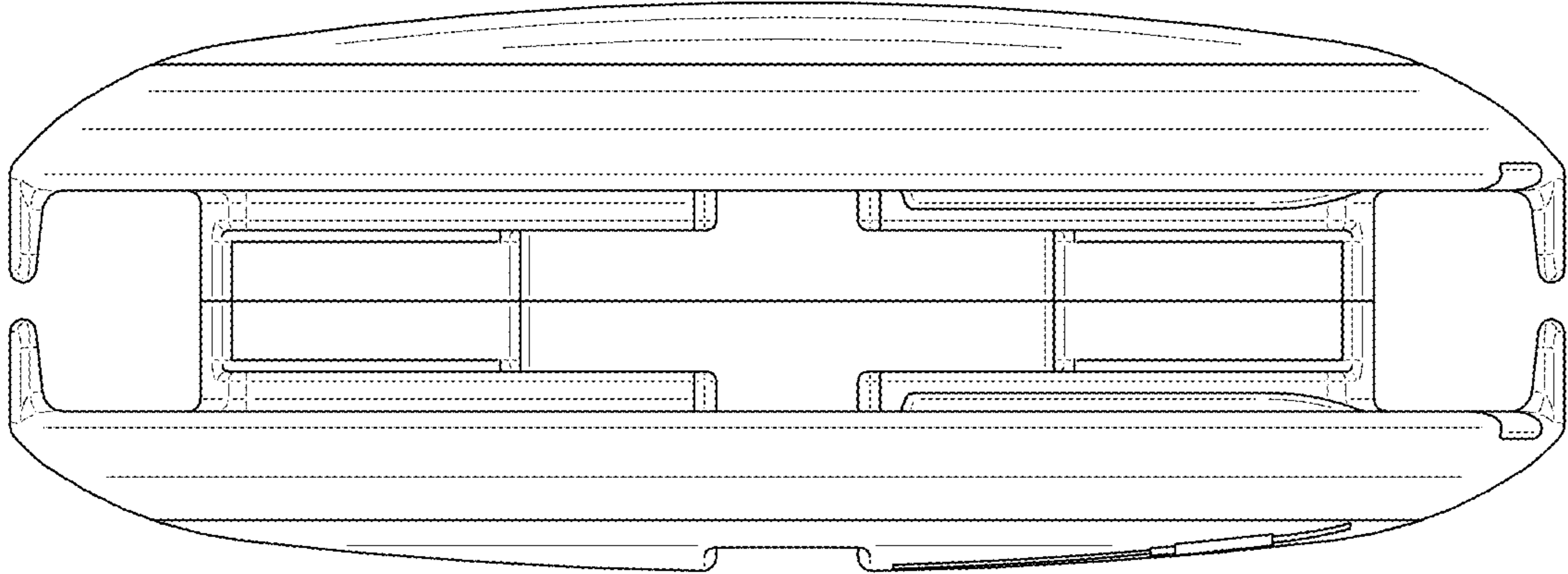


FIG. 7

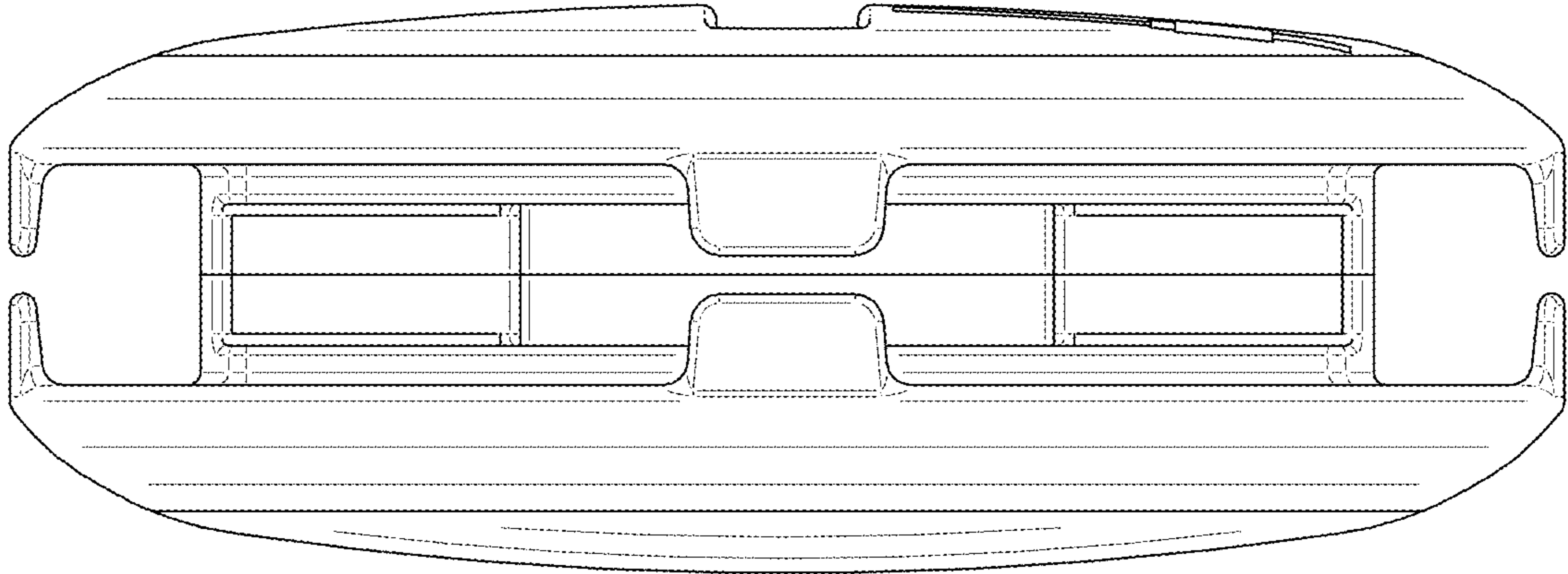


FIG. 8