



US00D871893S

(12) **United States Design Patent** (10) **Patent No.:** **US D871,893 S**
Boyle (45) **Date of Patent:** **** Jan. 7, 2020**

- (54) **EXTENSION CORD PLUG RETENTION STRAP**
- (71) Applicant: **Charles Boyle**, Bonita Springs, FL (US)
- (72) Inventor: **Charles Boyle**, Bonita Springs, FL (US)
- (**) Term: **15 Years**
- (21) Appl. No.: **29/660,943**
- (22) Filed: **Aug. 23, 2018**
- (51) **LOC (12) Cl.** **09-06**
- (52) **U.S. Cl.**
USPC **D8/356**
- (58) **Field of Classification Search**
USPC D8/367, 356, 354, 349, 105, 380, 387, D8/394; 24/599.9; D13/153, 154; 439/371
CPC B65H 57/16; B63B 21/045; F16B 45/02; H02J 7/0026; A63B 27/00; A63B 29/00; A01K 27/004
See application file for complete search history.

(56) **References Cited**

U.S. PATENT DOCUMENTS

4,898,542 A 2/1990 Jones, Jr.
5,104,335 A * 4/1992 Conley H01R 13/6392
439/369

5,167,524 A 12/1992 Falcon et al.
D368,649 S * 4/1996 Smartnick D13/154
D374,815 S * 10/1996 Snow D13/153
5,752,848 A 5/1998 Youngmark
6,196,033 B1 * 3/2001 Dowdle E05B 75/00
24/16 PB
6,217,366 B1 * 4/2001 Weisstock H01R 13/6392
439/367

D456,361 S 4/2002 Troxell
D495,999 S * 9/2004 Lewis D13/154
D515,408 S * 2/2006 Cheung D8/394
D565,401 S * 4/2008 Grady D8/394
D570,673 S * 6/2008 Geiger D8/394
7,407,405 B1 8/2008 Slenczka
D631,731 S * 2/2011 Chen D8/356
D714,632 S * 10/2014 Pando D8/356
D723,903 S * 3/2015 Kelleghan D8/356
9,077,111 B2 * 7/2015 Brown H01R 13/6392
9,108,779 B1 * 8/2015 Pando B65D 63/1063
9,276,359 B2 3/2016 Brown
D756,203 S * 5/2016 Kelleghan D8/356
9,425,553 B2 * 8/2016 Brown H01R 13/6392
9,452,553 B2 8/2016 Brown
D799,372 S * 10/2017 Paik D11/218
D801,783 S * 11/2017 Riner D8/356
D802,079 S * 11/2017 Lees D22/118
D840,788 S * 2/2019 Geiger D8/356
2014/0315412 A1 10/2014 Tripp

* cited by examiner

Primary Examiner — Cynthia R Underwood
 (74) *Attorney, Agent, or Firm* — Edward M. Livingston, Esq.; Bryan L. Loeffler, Esq.; Livingston Loeffler, P.A.

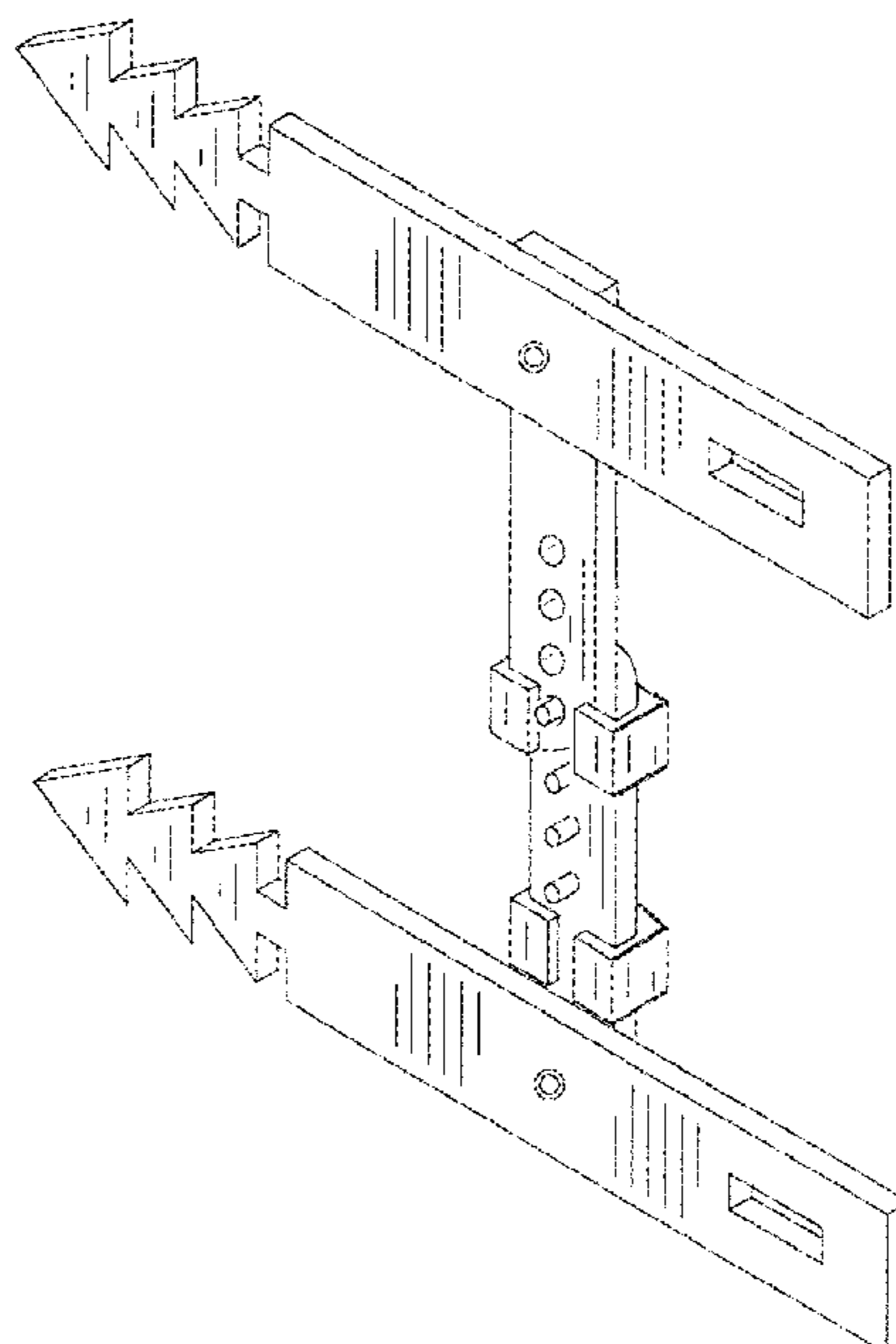
(57) **CLAIM**

The ornamental design for an extension cord plug retention strap, as shown and described.

DESCRIPTION

FIG. 1 is a front perspective view of an extension cord plug retention strap;
 FIG. 2 is a top view thereof;
 FIG. 3 is a bottom view thereof;
 FIG. 4 is a front view thereof;
 FIG. 5 is a rear view thereof;
 FIG. 6 is a right side view thereof; and,
 FIG. 7 is a left side view thereof.

1 Claim, 2 Drawing Sheets



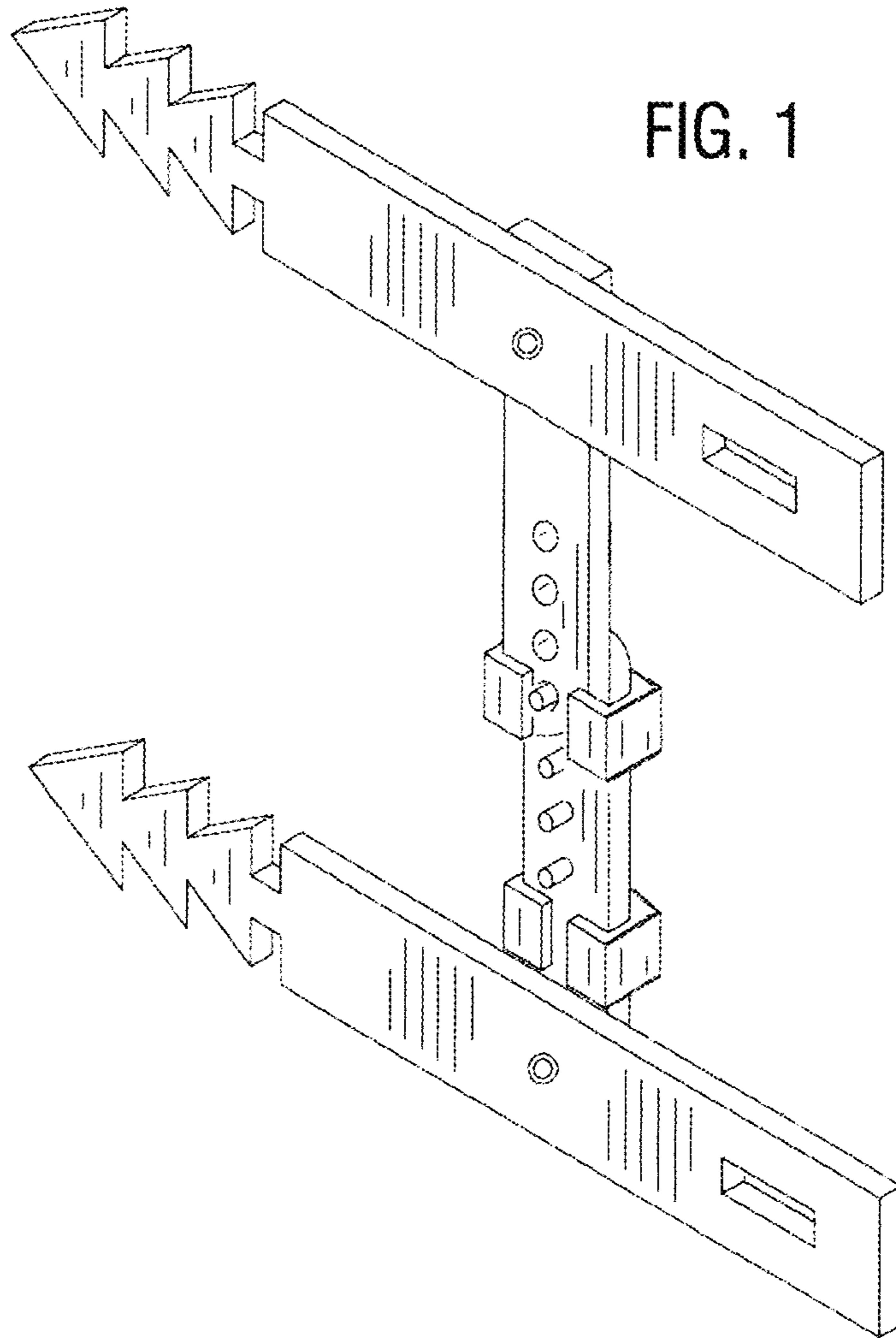


FIG. 2

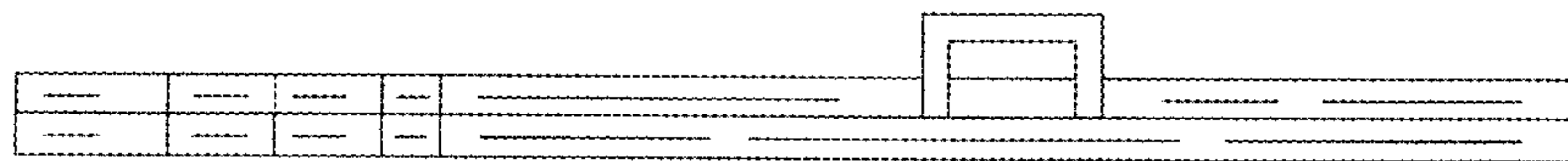


FIG. 3

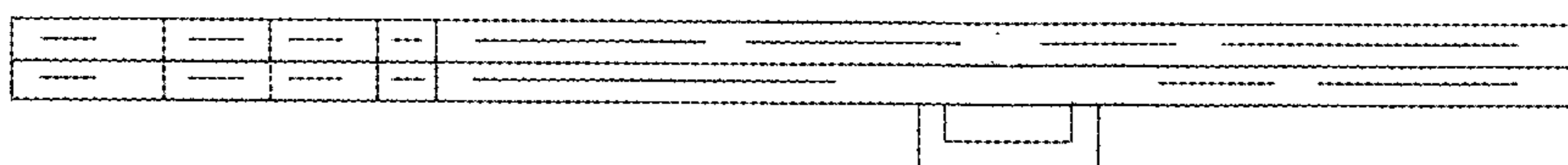


FIG. 4

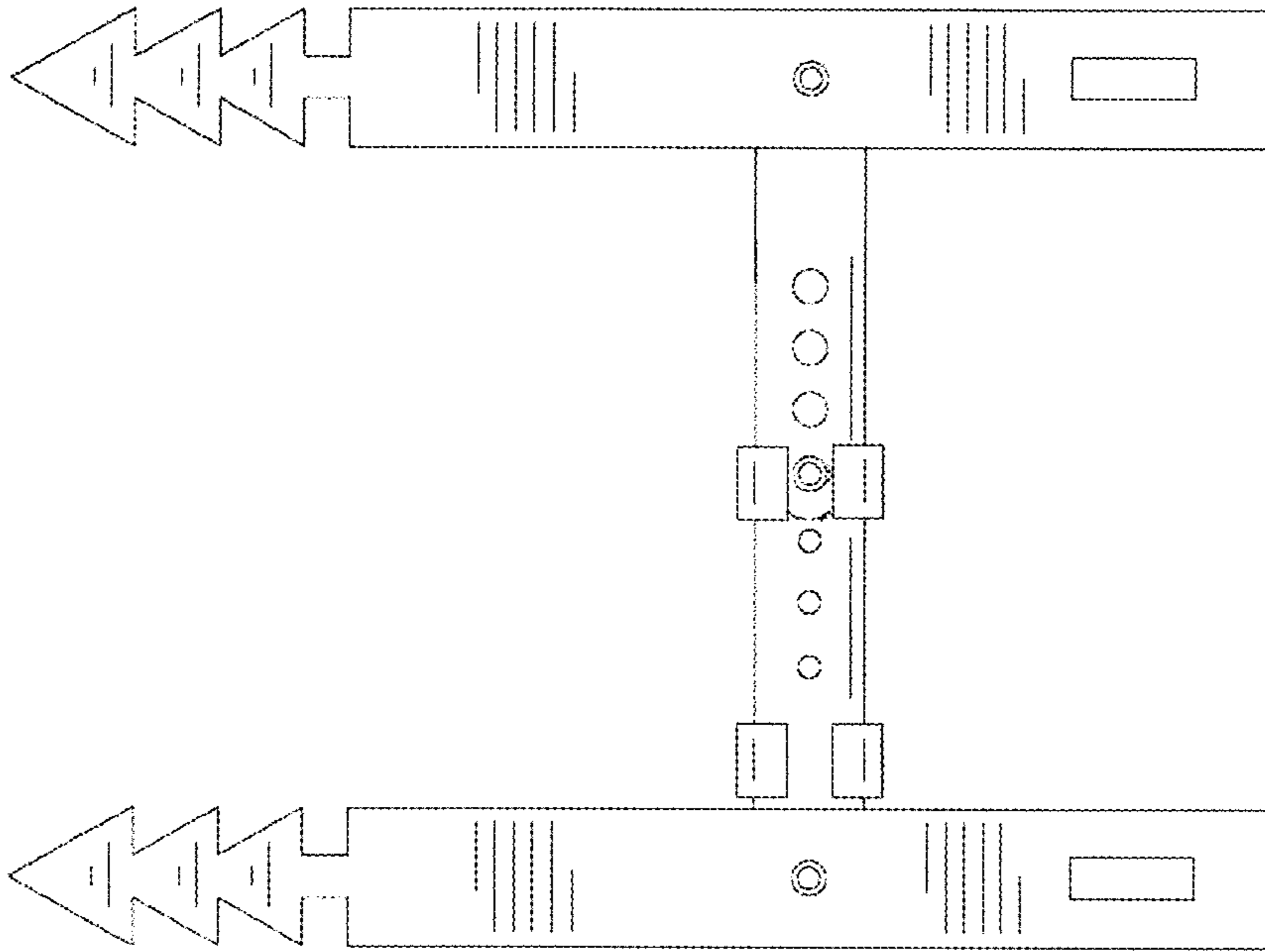


FIG. 6

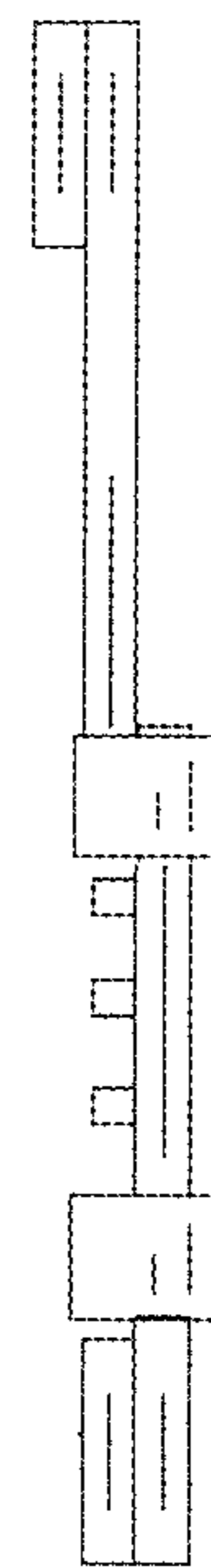


FIG. 5

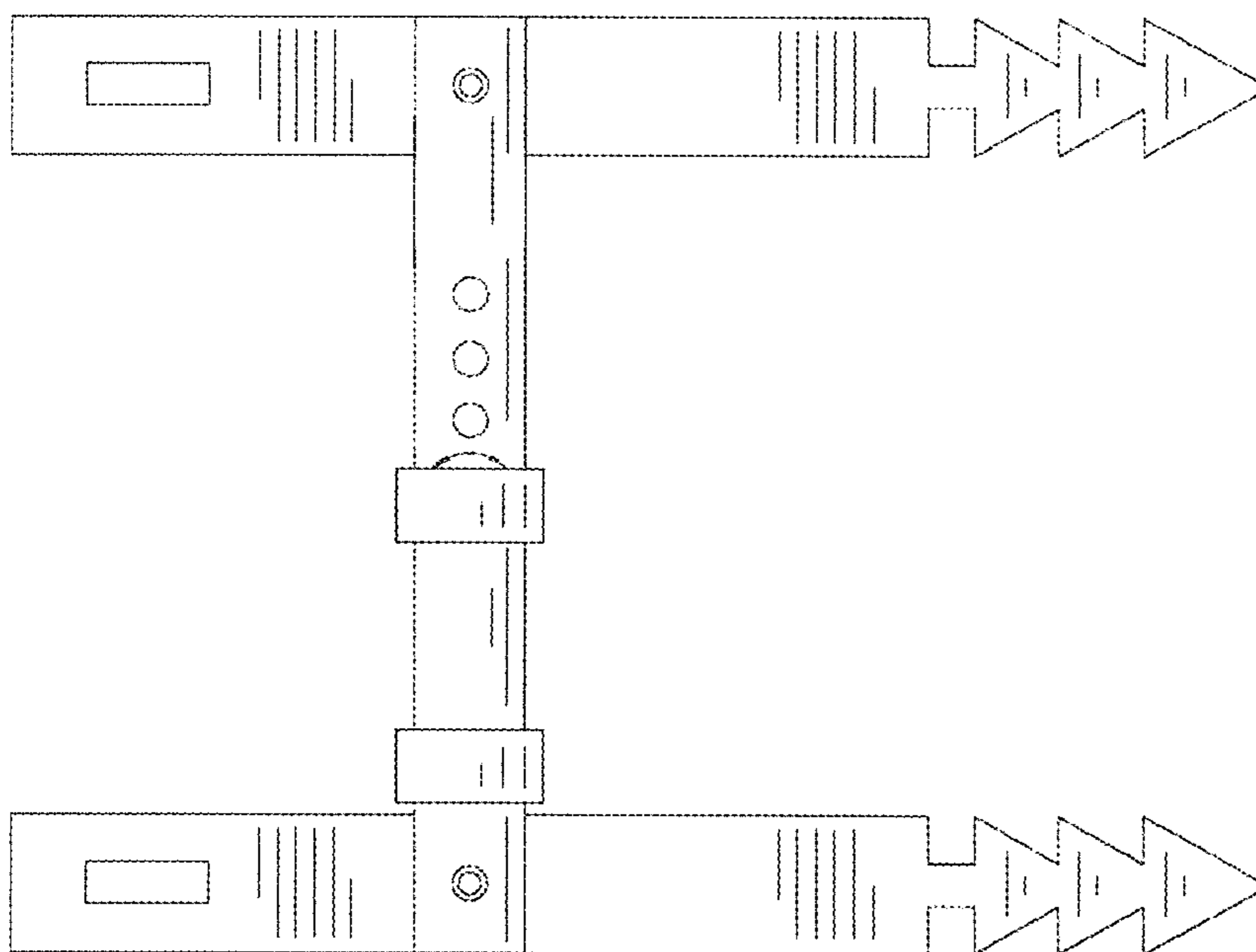


FIG. 7

