



US00D871892S

(12) **United States Design Patent**
Erickson

(10) **Patent No.:** **US D871,892 S**

(45) **Date of Patent:** **** Jan. 7, 2020**

(54) **ROTATABLE E-TRACK**

(71) Applicant: **B. ERICKSON MANUFACTURING LTD.**, Thamesville (CA)

(72) Inventor: **Brent Erickson**, Thamesville (CA)

(73) Assignee: **B. Erickson Manufacturing Ltd.**, Thamesville, Ontario (CA)

(**) Term: **15 Years**

(21) Appl. No.: **29/664,675**

(22) Filed: **Sep. 27, 2018**

(51) **LOC (12) Cl.** **08-08**

(52) **U.S. Cl.**
USPC **D8/349**

(58) **Field of Classification Search**
USPC D6/672, 684, 680, 683.1, 703.5; D8/349,
D8/354, 355, 330, 331, 333, 380, 382
CPC .. E04B 1/2604; E04B 2001/2644; F16B 7/18;
F16B 37/145; Y10T 403/4602; Y10T
403/4674; Y10T 403/3906

See application file for complete search history.

(56) **References Cited**

U.S. PATENT DOCUMENTS

4,571,136 A * 2/1986 Peek B60N 3/046
24/104
4,850,778 A * 7/1989 Clough F16B 37/0842
411/433

D409,894 S * 5/1999 McClurg D8/349
D623,500 S * 9/2010 Langner D8/349
D679,169 S * 4/2013 Else D8/349
D679,170 S * 4/2013 Else D8/349
9,188,145 B2 * 11/2015 Li F16B 5/10
9,470,257 B2 * 10/2016 Balderrama F16B 37/14
D796,629 S * 9/2017 Chen D23/214
10,294,656 B2 * 5/2019 Fox E04B 1/2403
2011/0076113 A1 * 3/2011 Mueller B23K 31/027
411/500

* cited by examiner

Primary Examiner — Mark A Goodwin
Assistant Examiner — Benjamin M Weeks

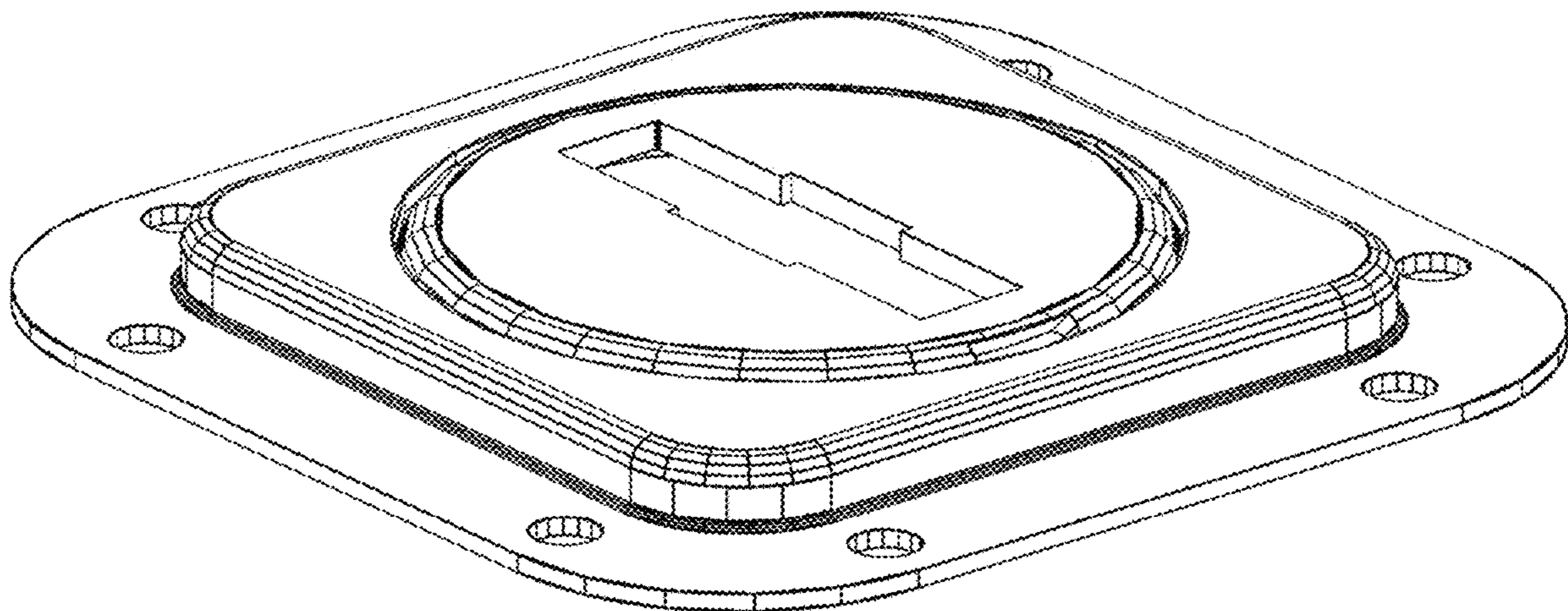
(57) **CLAIM**

The ornamental design for a rotatable e-track, shown and described.

DESCRIPTION

FIG. 1 is a perspective view of a rotatable e-track, according to the present invention;
FIG. 2 is another perspective view thereof;
FIG. 3 is a top view thereof;
FIG. 4 is a bottom view thereof;
FIG. 5 is a front view thereof; and,
FIG. 6 is a side view thereof.

1 Claim, 5 Drawing Sheets



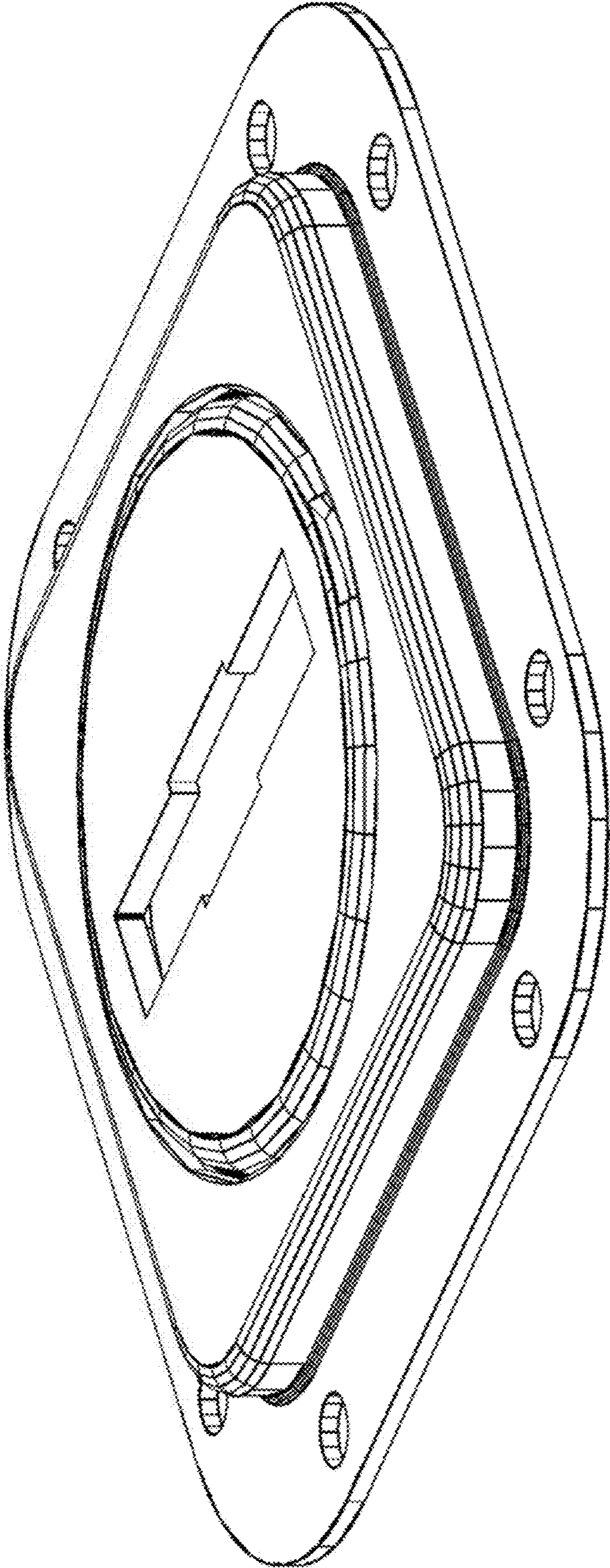


FIG. 1

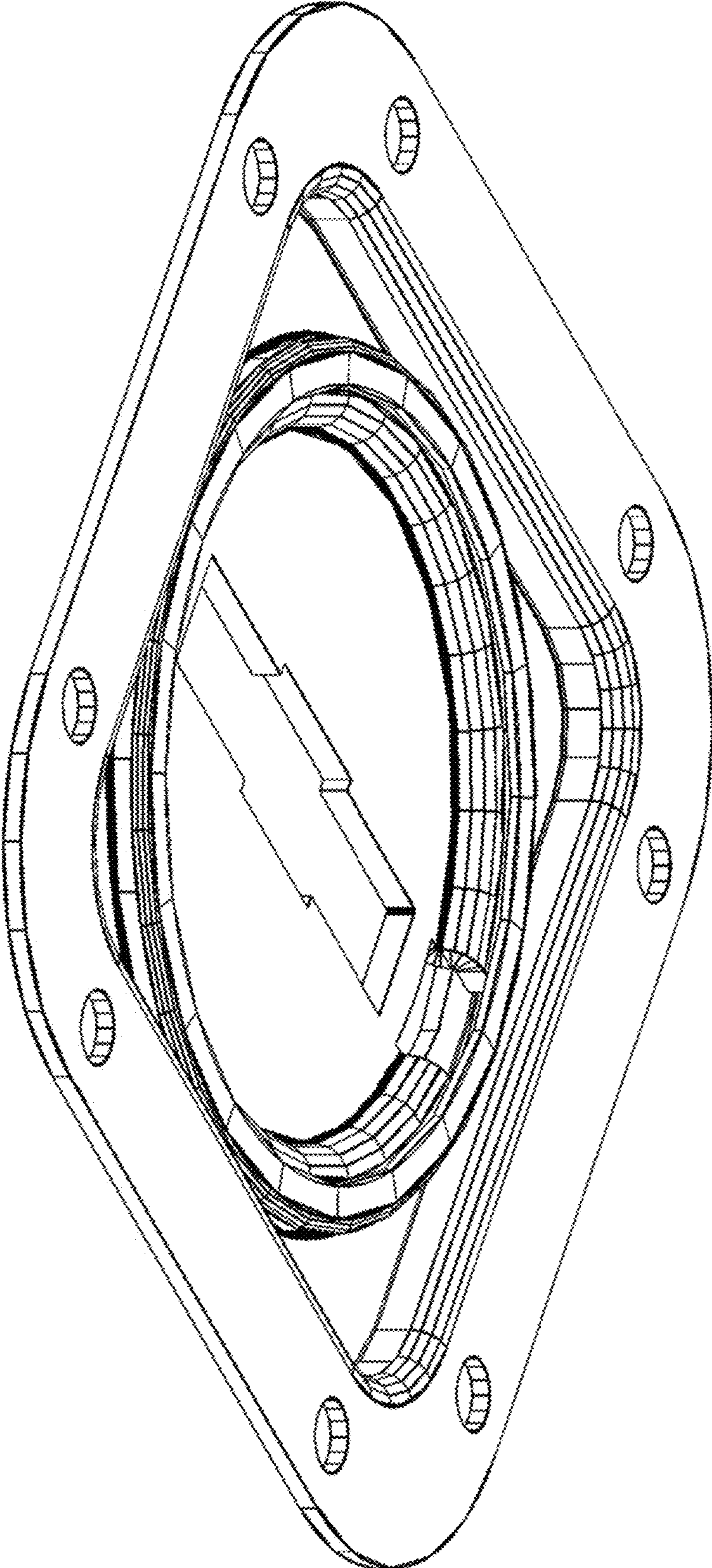


FIG. 2

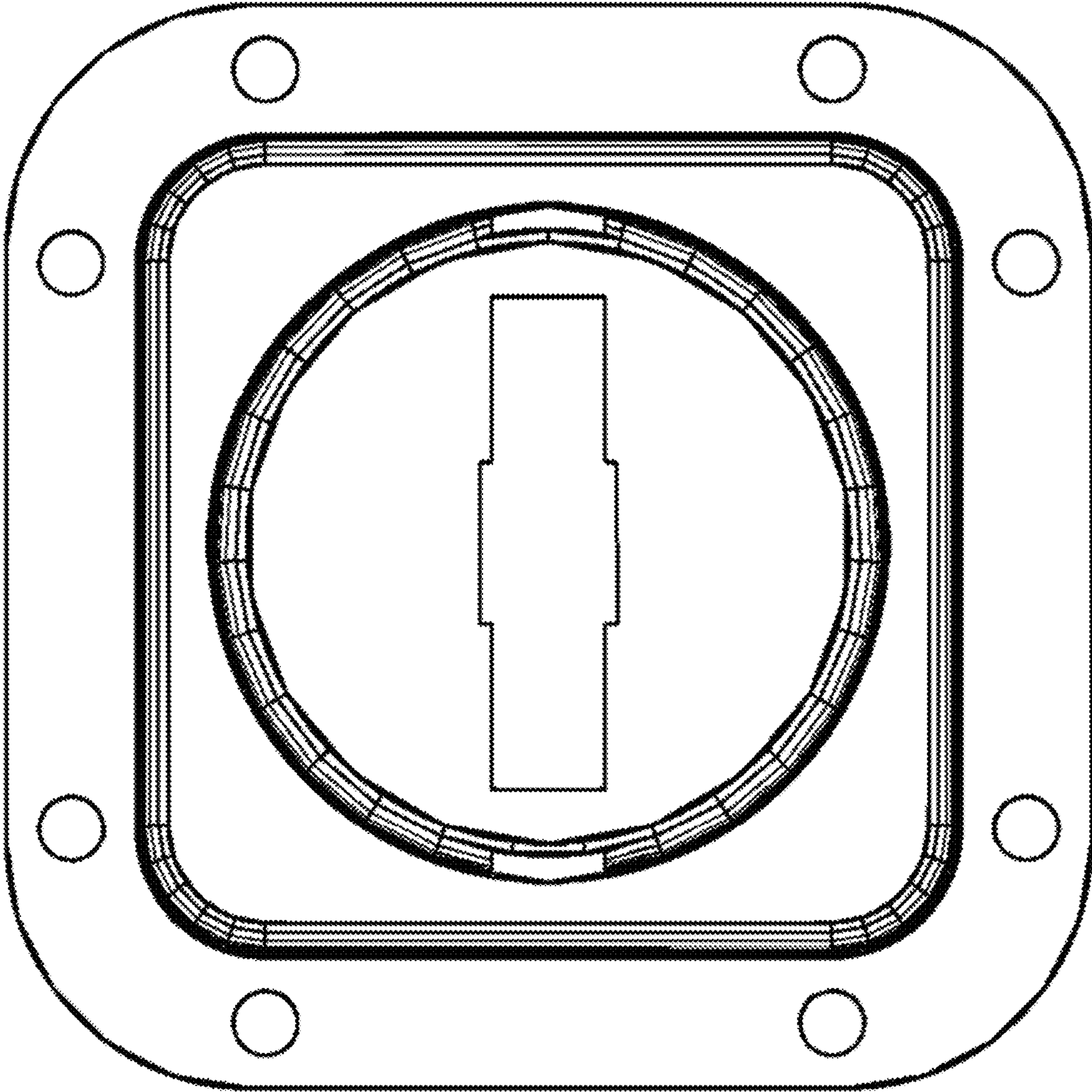


FIG. 3

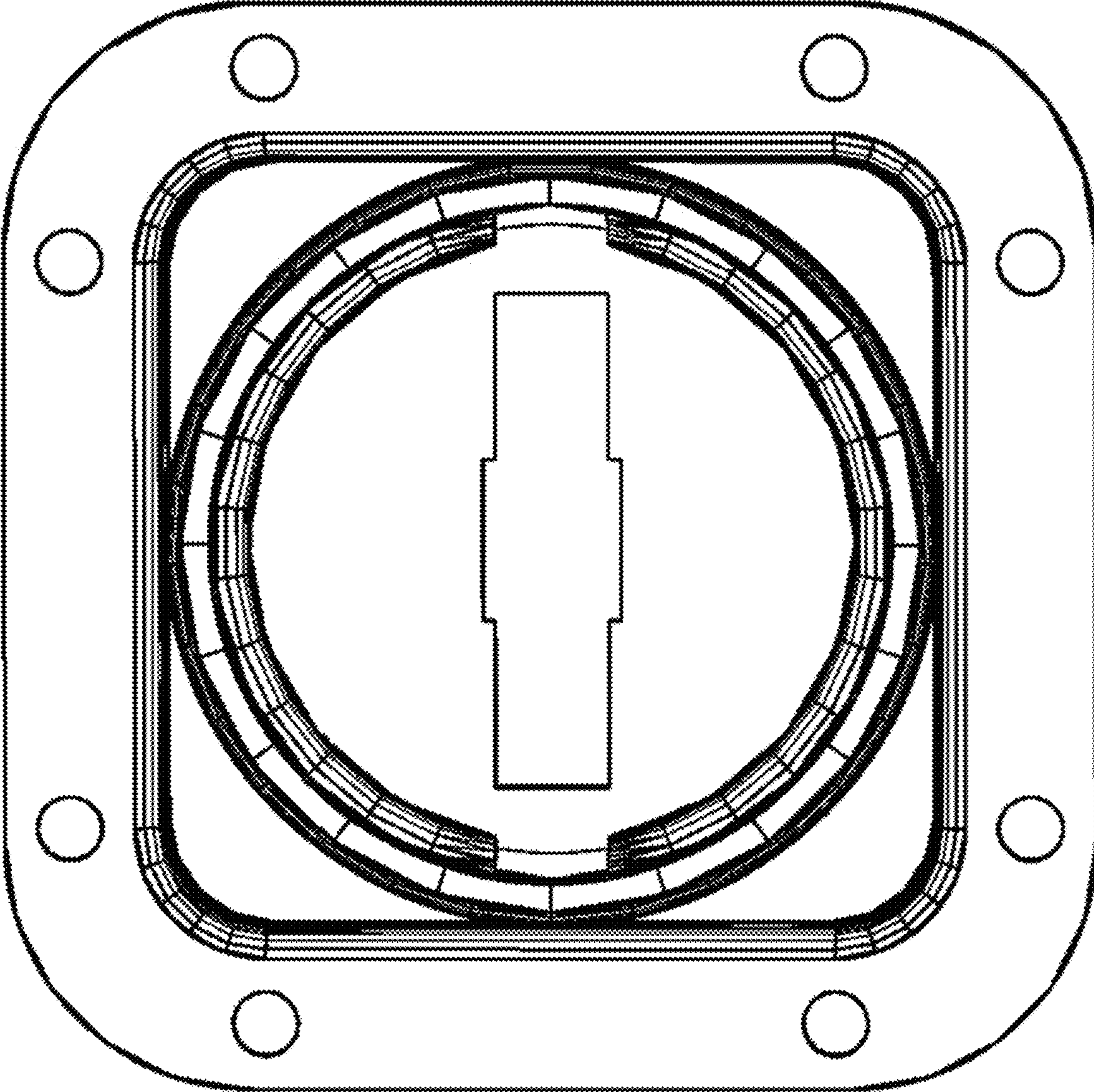


FIG. 4

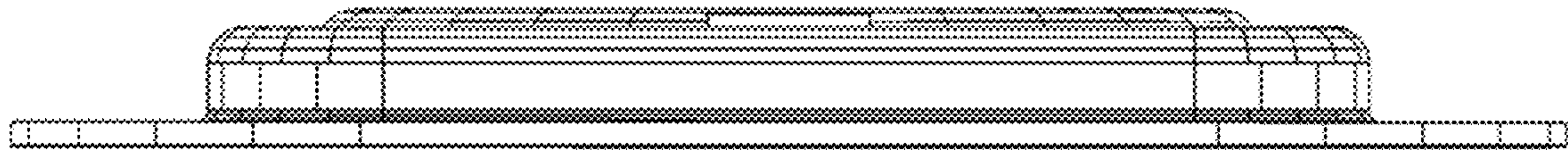


FIG. 5

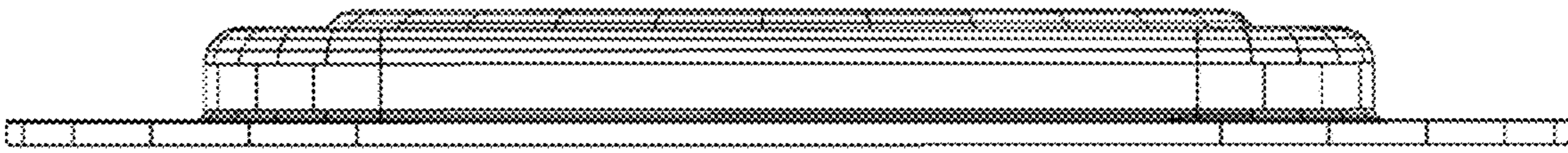


FIG. 6