



US00D871891S

(12) **United States Design Patent**  
**Emanuel**

(10) **Patent No.:** **US D871,891 S**

(45) **Date of Patent:** **\*\* Jan. 7, 2020**

(54) **ADAPTER**

(71) Applicant: **Trumbull Manufacturing, Inc.**,  
Youngstown, OH (US)

(72) Inventor: **Blake Emanuel**, Youngstown, OH (US)

(73) Assignee: **TRUMBULL MANUFACTURING, INC.**, Youngstown, OH (US)

(\*\*) Term: **15 Years**

(21) Appl. No.: **29/626,020**

(22) Filed: **Nov. 14, 2017**

(51) **LOC (12) Cl.** ..... **08-08**

(52) **U.S. Cl.**  
USPC ..... **D8/349**

(58) **Field of Classification Search**  
USPC .... D6/672, 684, 680, 683.1, 703.5; D8/354,  
D8/355, 330, 331, 333, 380, 381;  
D23/262, 265  
CPC ..... F16B 5/00; F16B 5/02; F16B 12/50  
See application file for complete search history.

(56) **References Cited**

**U.S. PATENT DOCUMENTS**

D352,223 S *	11/1994	Shieh	.....	D8/333
D611,801 S *	3/2010	Chustak	.....	D8/355
D736,598 S *	8/2015	Keen	.....	D8/354
D744,316 S *	12/2015	Nook	.....	D8/349
D749,931 S *	2/2016	Oshima	.....	D8/323

D752,417 S *	3/2016	Witting	.....	D8/354
D760,365 S *	6/2016	Zanelli	.....	D23/262
D781,683 S *	3/2017	Yi	.....	D8/354
D785,438 S *	5/2017	Cooper	.....	D8/323
D811,854 S *	3/2018	Maurer	.....	D8/354
D850,891 S *	6/2019	Rawls-Meehan	.....	D8/355
D856,114 S *	8/2019	Poppell	.....	D8/349
D861,112 S *	9/2019	Lott	.....	D22/108

\* cited by examiner

*Primary Examiner* — Mark A Goodwin

*Assistant Examiner* — Benjamin M Weeks

(74) *Attorney, Agent, or Firm* — Tucker Ellis LLP

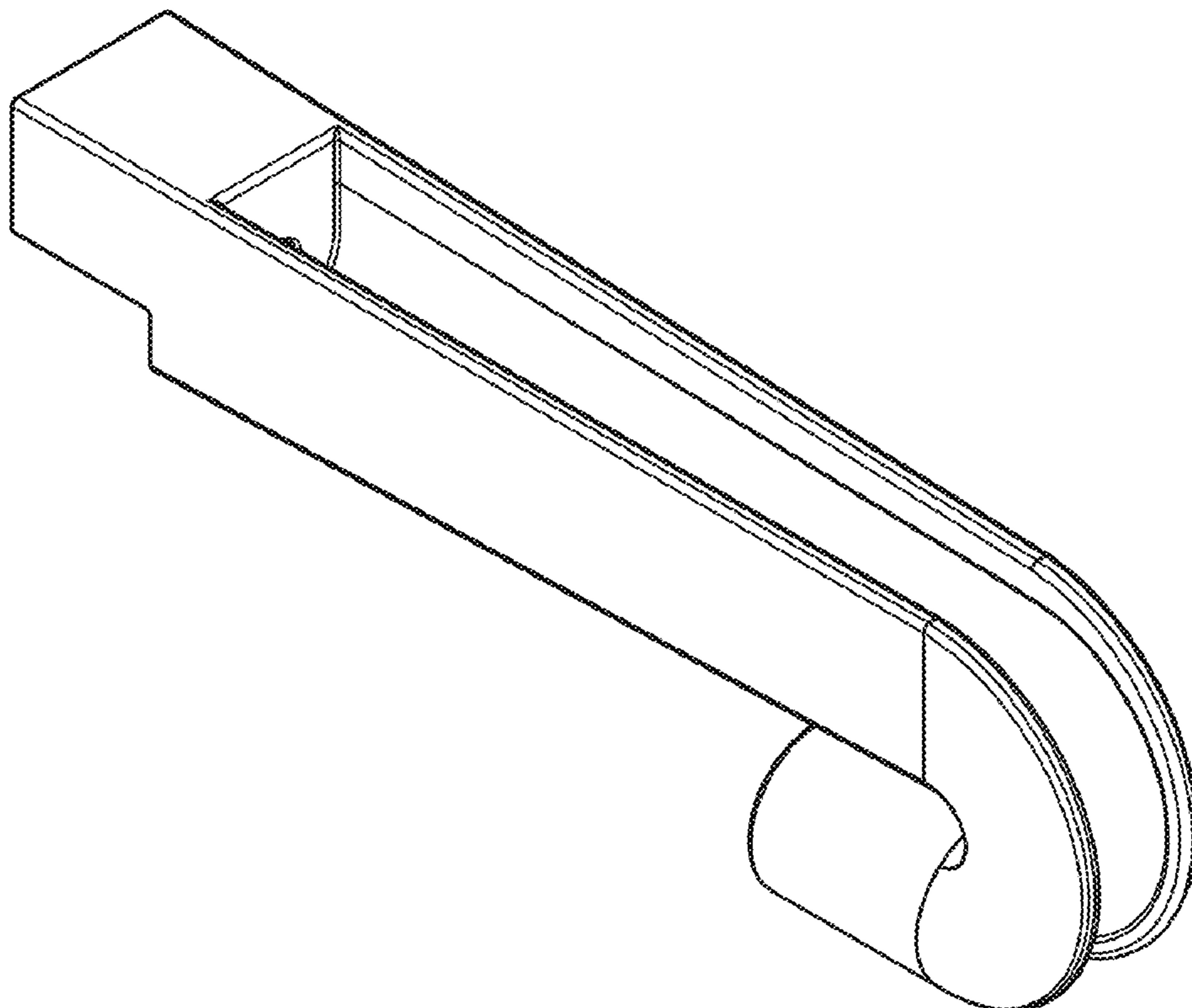
(57) **CLAIM**

The ornamental design for an adapter, as shown and described.

**DESCRIPTION**

FIG. 1 is a front perspective view of an adapter showing our new design;  
FIG. 2 is a rear perspective view thereof;  
FIG. 3 is a front view thereof;  
FIG. 4 is a rear view thereof;  
FIG. 5 is a top view thereof;  
FIG. 6 is a bottom view thereof;  
FIG. 7 is a left side view thereof; and,  
FIG. 8 is a right side view thereof.  
The broken lines shown herein are for illustrative purposes only and form no part of the claimed design.

**1 Claim, 3 Drawing Sheets**



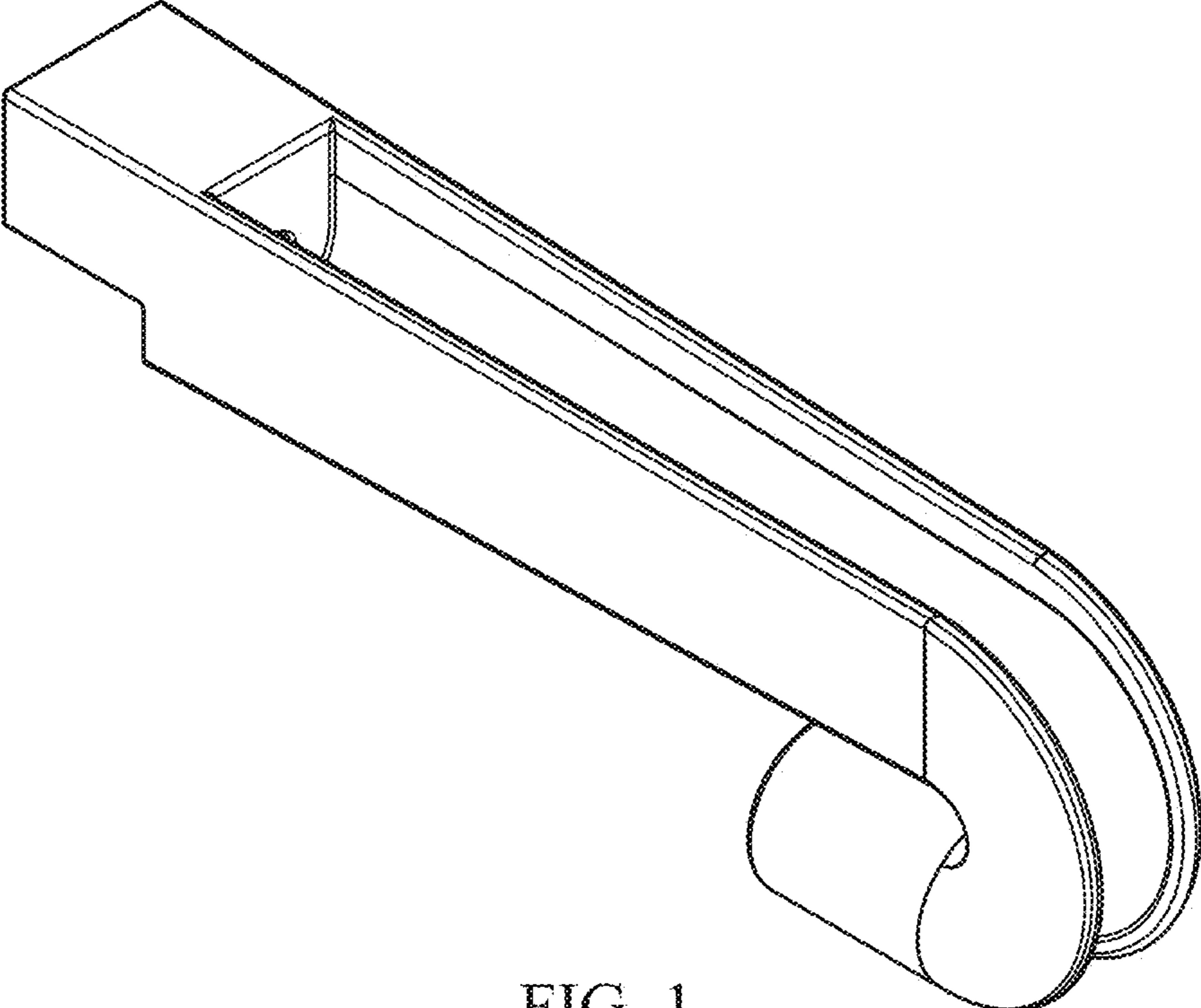


FIG. 1

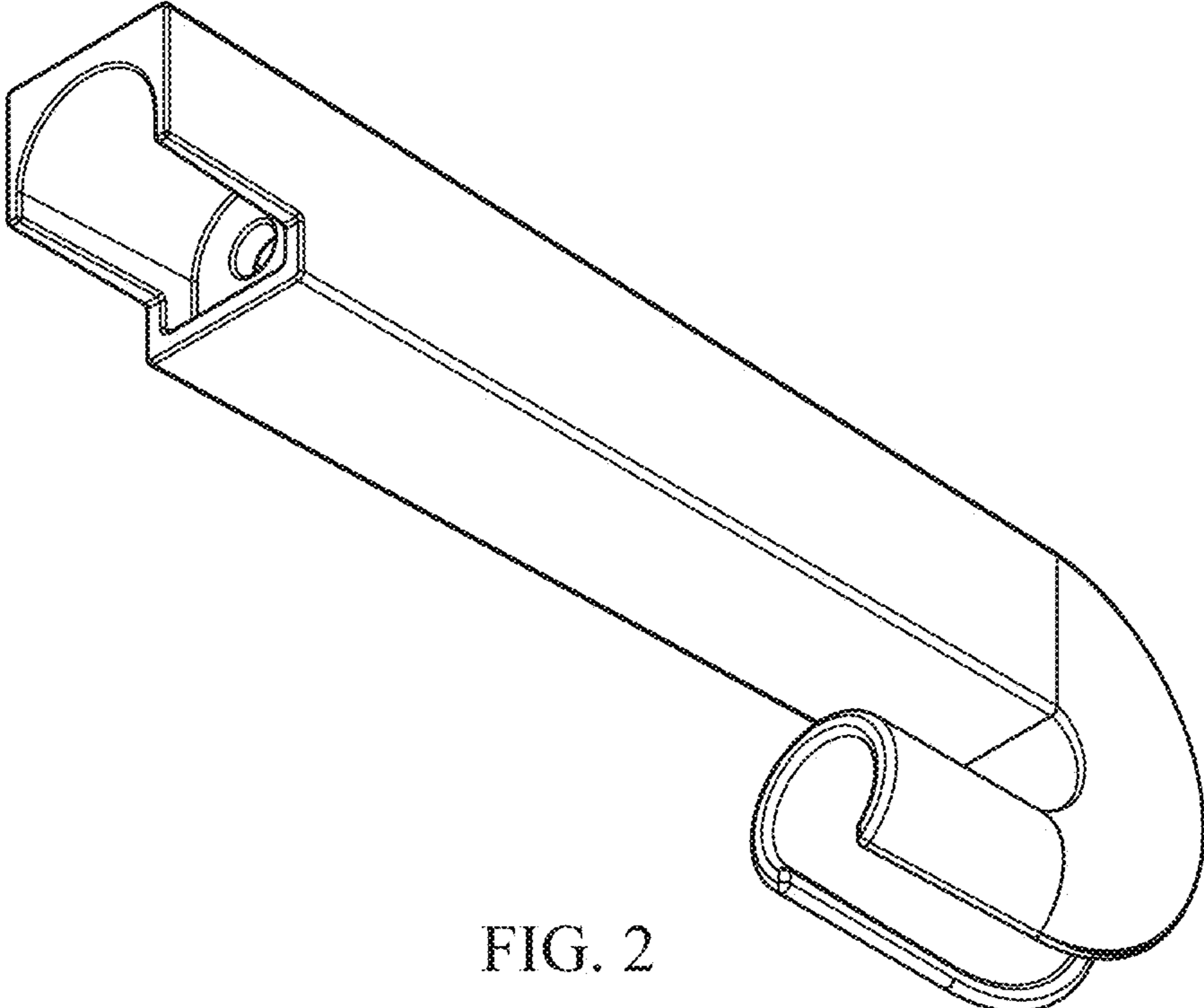


FIG. 2

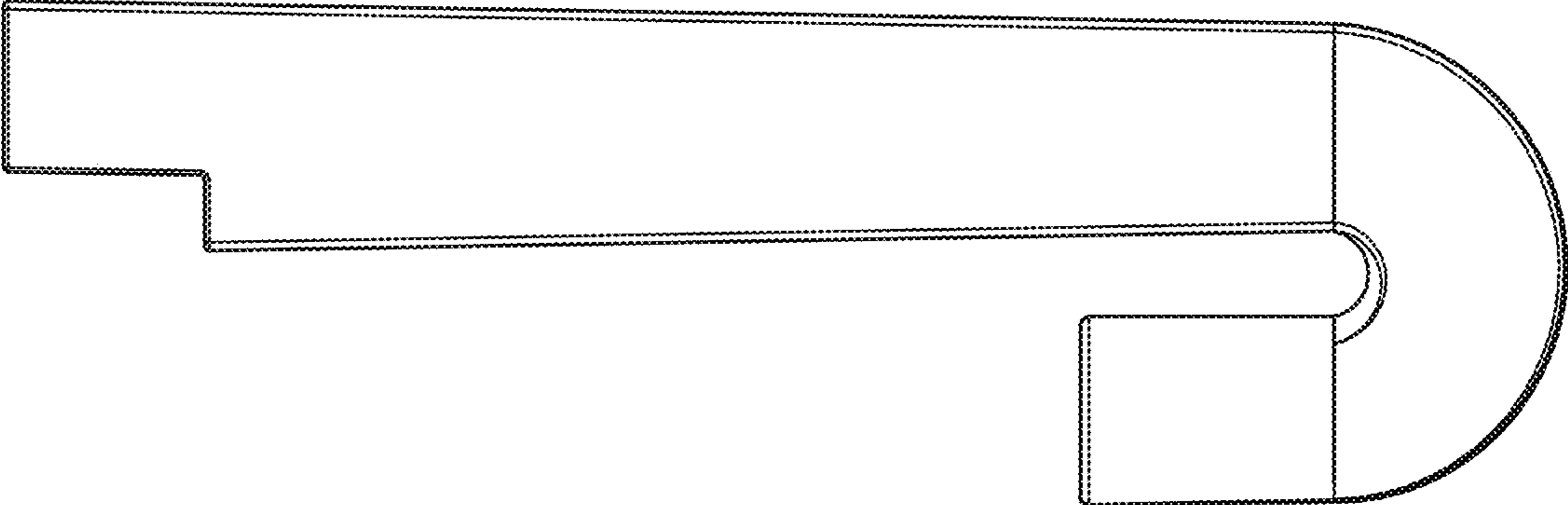


FIG. 3

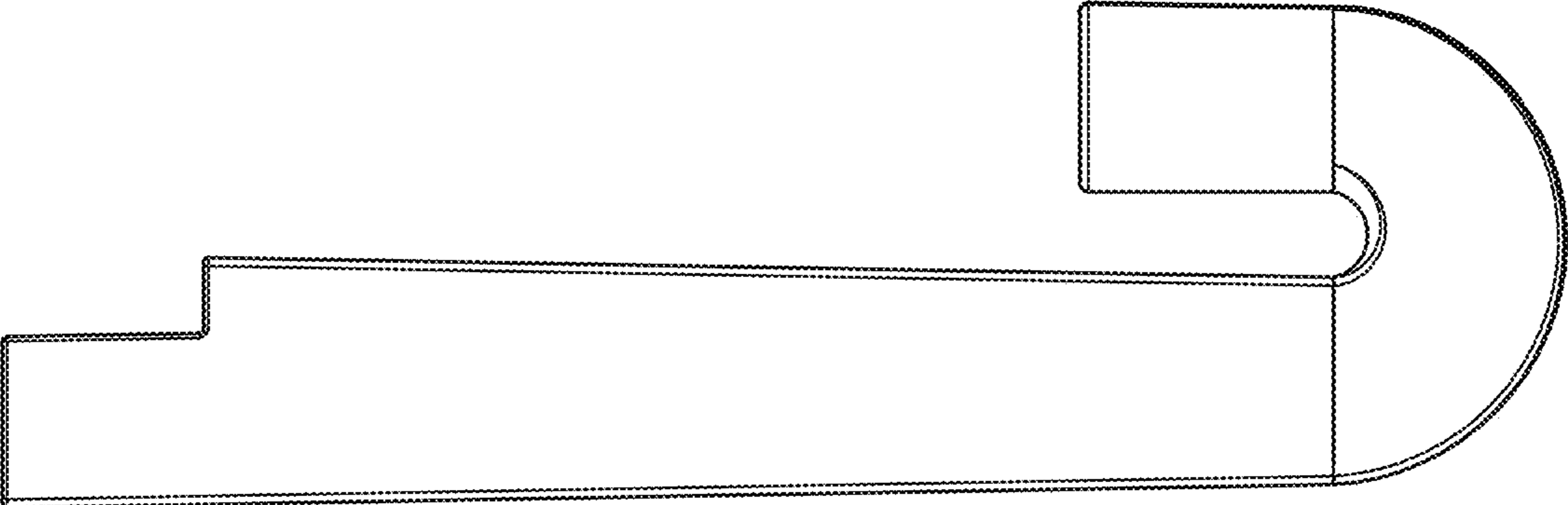


FIG. 4

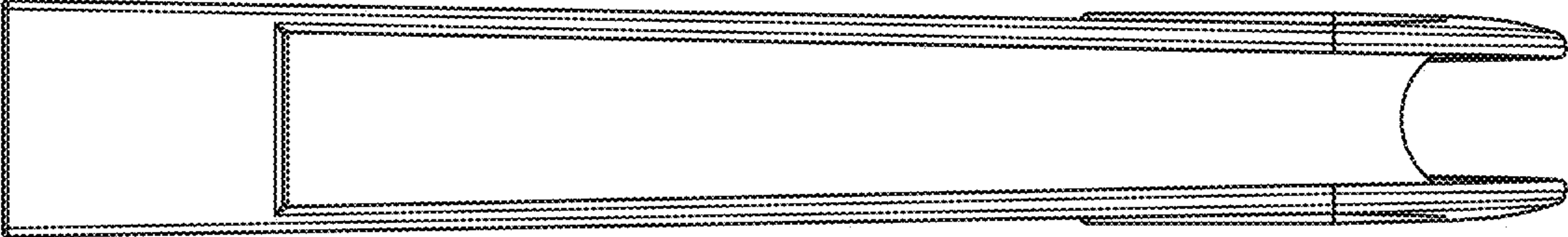


FIG. 5

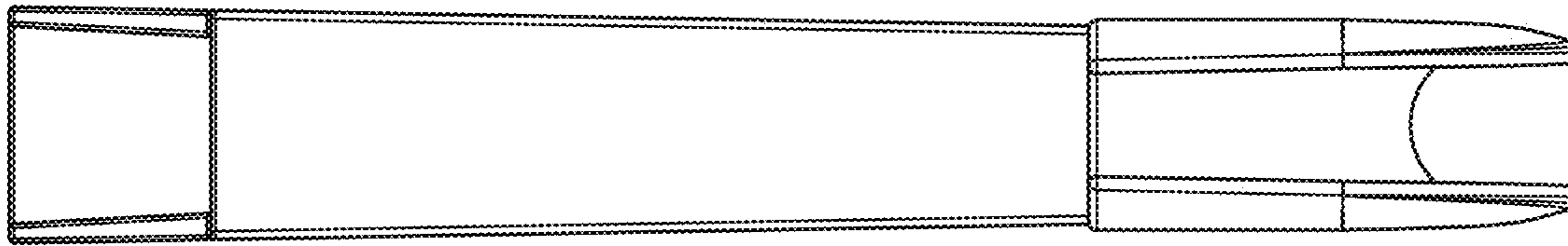


FIG. 6

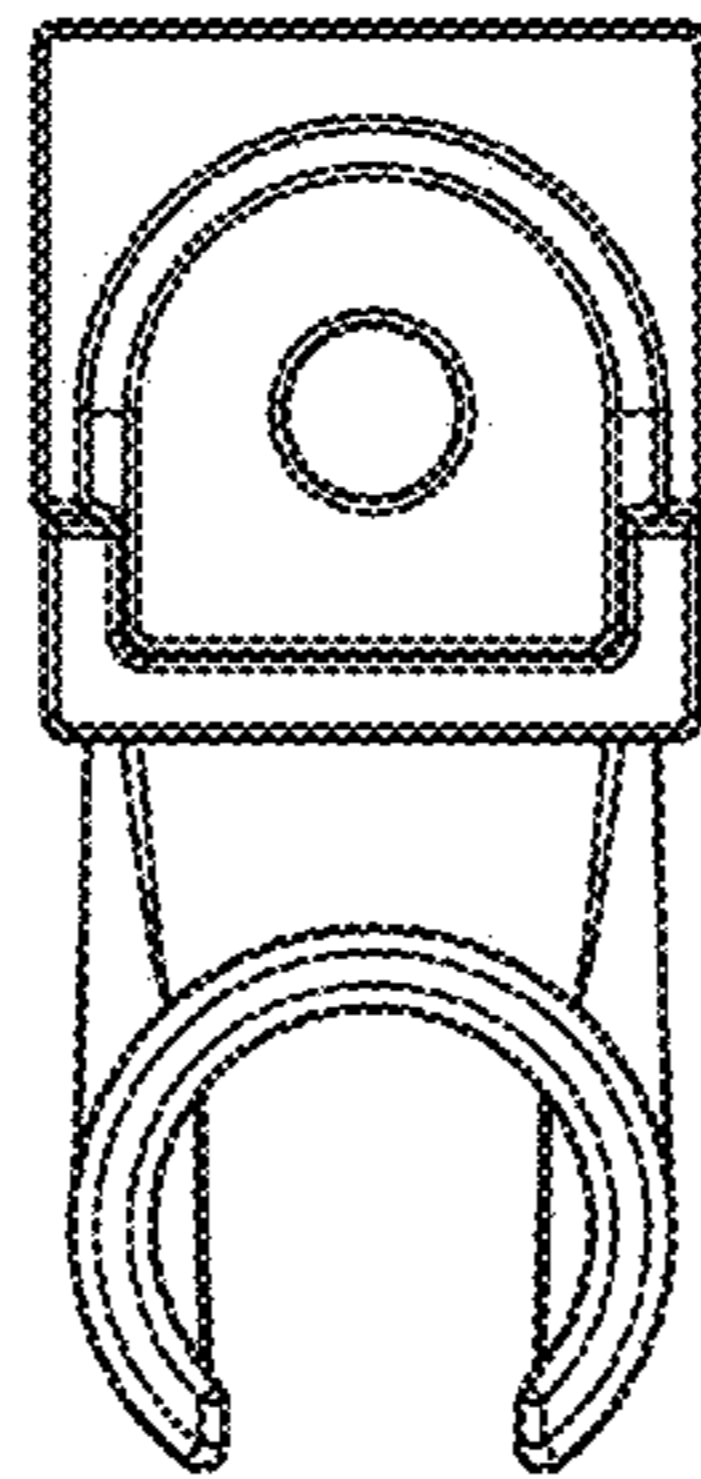


FIG. 7

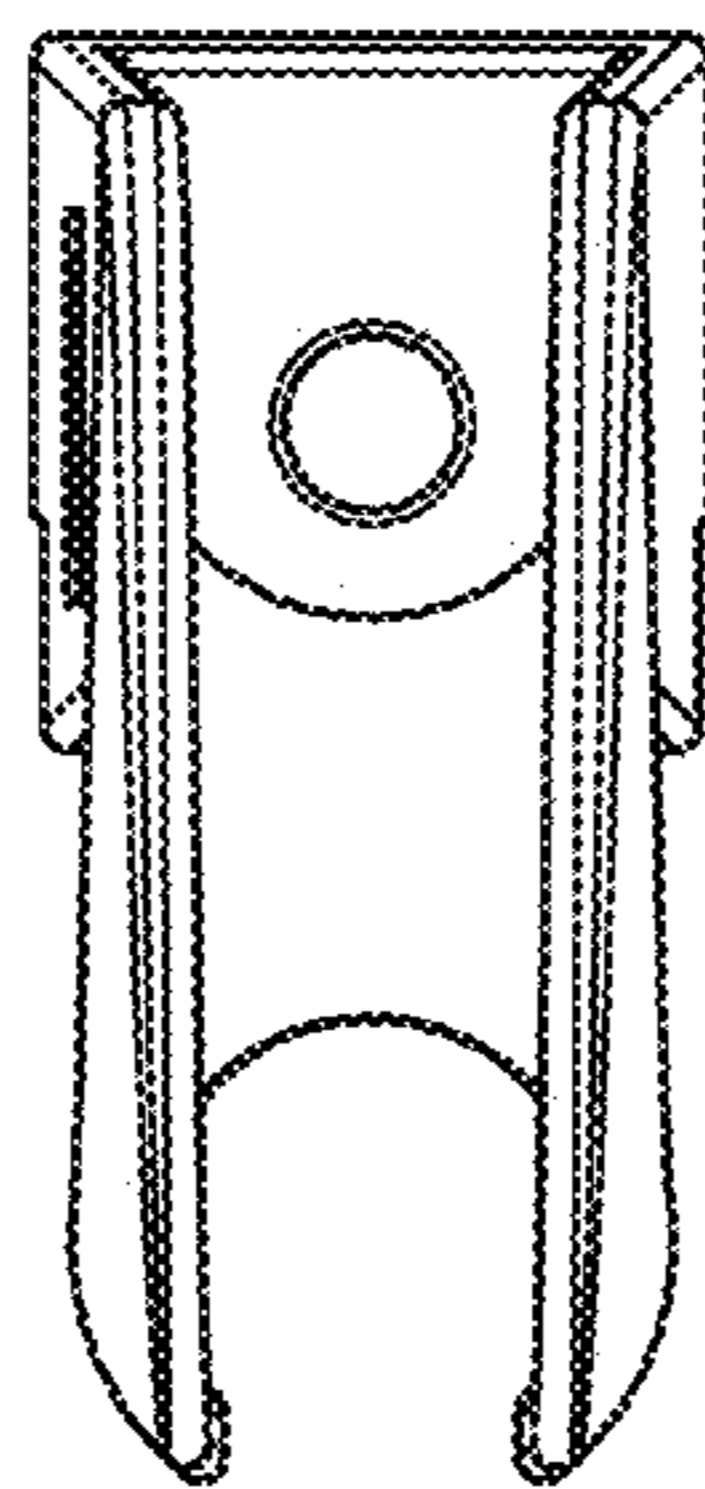


FIG. 8