



US00D871890S

(12) **United States Design Patent**
Tokunaga et al.

(10) **Patent No.:** **US D871,890 S**

(45) **Date of Patent:** **** Jan. 7, 2020**

(54) **CLIP**

D835,947 S * 12/2018 Seiders D7/605
D853,366 S * 7/2019 Williams D14/239
2012/0312950 A1* 12/2012 Sears F16M 11/041
248/316.5

(71) Applicant: **DAIWA KASEI KOGYO**
KABUSHIKI KAISHA, Aichi-ken (JP)

(72) Inventors: **Atsushi Tokunaga**, Aichi-ken (JP);
Ryota Shinohara, Aichi-ken (JP)

(73) Assignee: **DAIWA KASEI KOGYO**
KABUSHIKI KAISHA, Aichi-ken (JP)

(**) Term: **15 Years**

(21) Appl. No.: **29/616,329**

(22) Filed: **Sep. 5, 2017**

(30) **Foreign Application Priority Data**

Mar. 8, 2017 (JP) 2017-004682

(51) **LOC (12) Cl.** **08-08**

(52) **U.S. Cl.**
USPC **D8/349**

(58) **Field of Classification Search**
USPC D6/672, 684, 680, 683.1, 703.5; D8/349,
D8/354, 355, 330, 331, 333, 380, 381
CPC F16B 5/00; F16B 5/02; F16B 12/50
See application file for complete search history.

(56) **References Cited**

U.S. PATENT DOCUMENTS

D767,973 S * 10/2016 DeDios-Shirley D8/349
D832,828 S * 11/2018 Williams D14/239

* cited by examiner

Primary Examiner — Mark A Goodwin

Assistant Examiner — Benjamin M Weeks

(74) *Attorney, Agent, or Firm* — Christensen, Fonder,
Dardi & Herbert PLLC

(57) **CLAIM**

We claim the ornamental design for a clip, as shown and described.

DESCRIPTION

FIG. 1 is a front perspective view of a clip showing our new design.

FIG. 2 is a perspective view viewed from the rear thereof.

FIG. 3 is a front elevation view thereof.

FIG. 4 is a rear elevation view thereof.

FIG. 5 is a right side elevation view thereof.

FIG. 6 is a left side elevation view thereof.

FIG. 7 is a top plan view thereof.

FIG. 8 is a bottom plan view thereof.

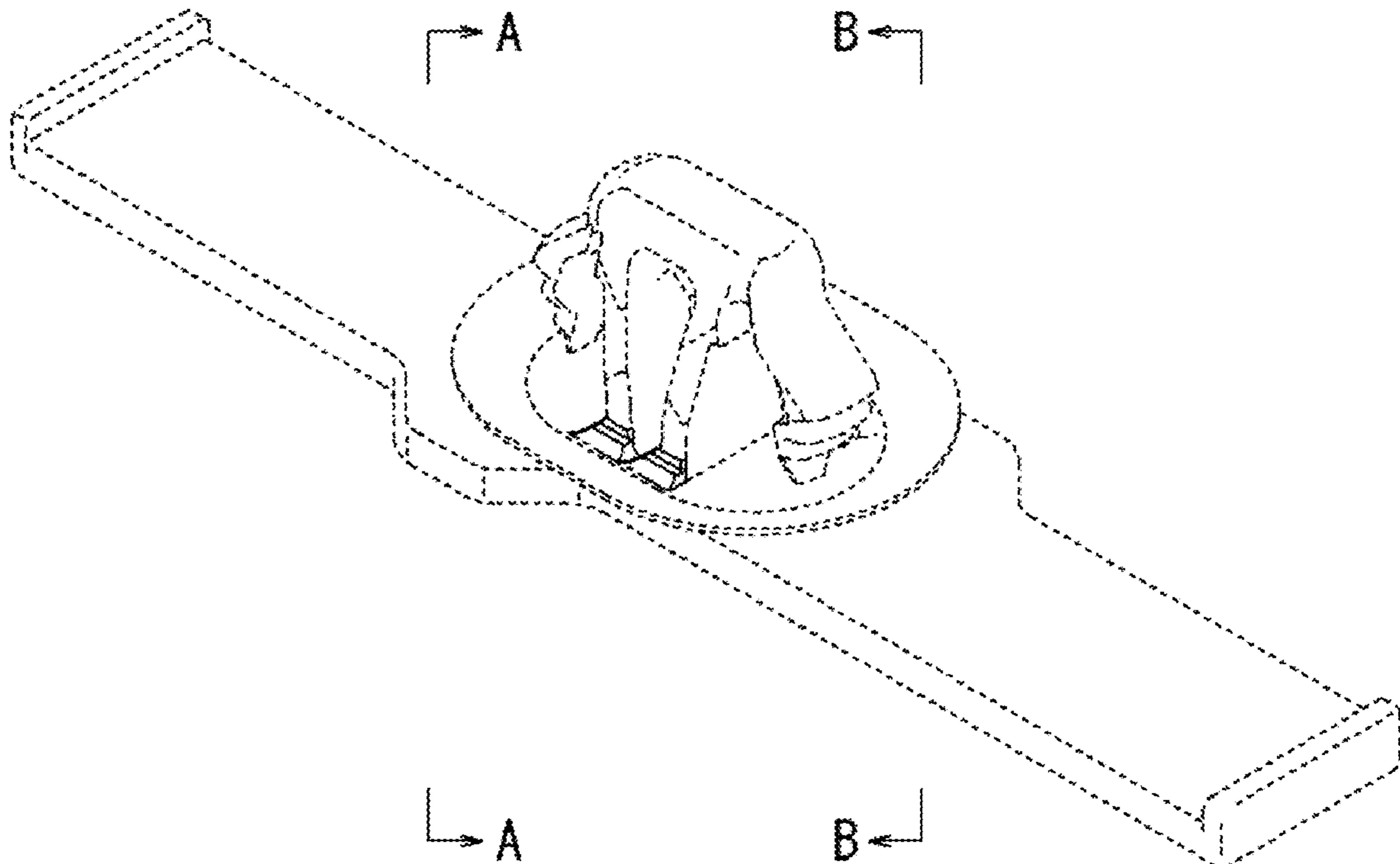
FIG. 9 is an enlarged view of portion A-A, B-B thereof.

FIG. 10 is an enlarged view of portion C-C, D-D thereof; and,

FIG. 11 is an enlarged view of portion E-E, F-F thereof.

The broken lines shown in the drawings represent unclaimed portions of the clip, and form no part of the claimed design.

1 Claim, 5 Drawing Sheets



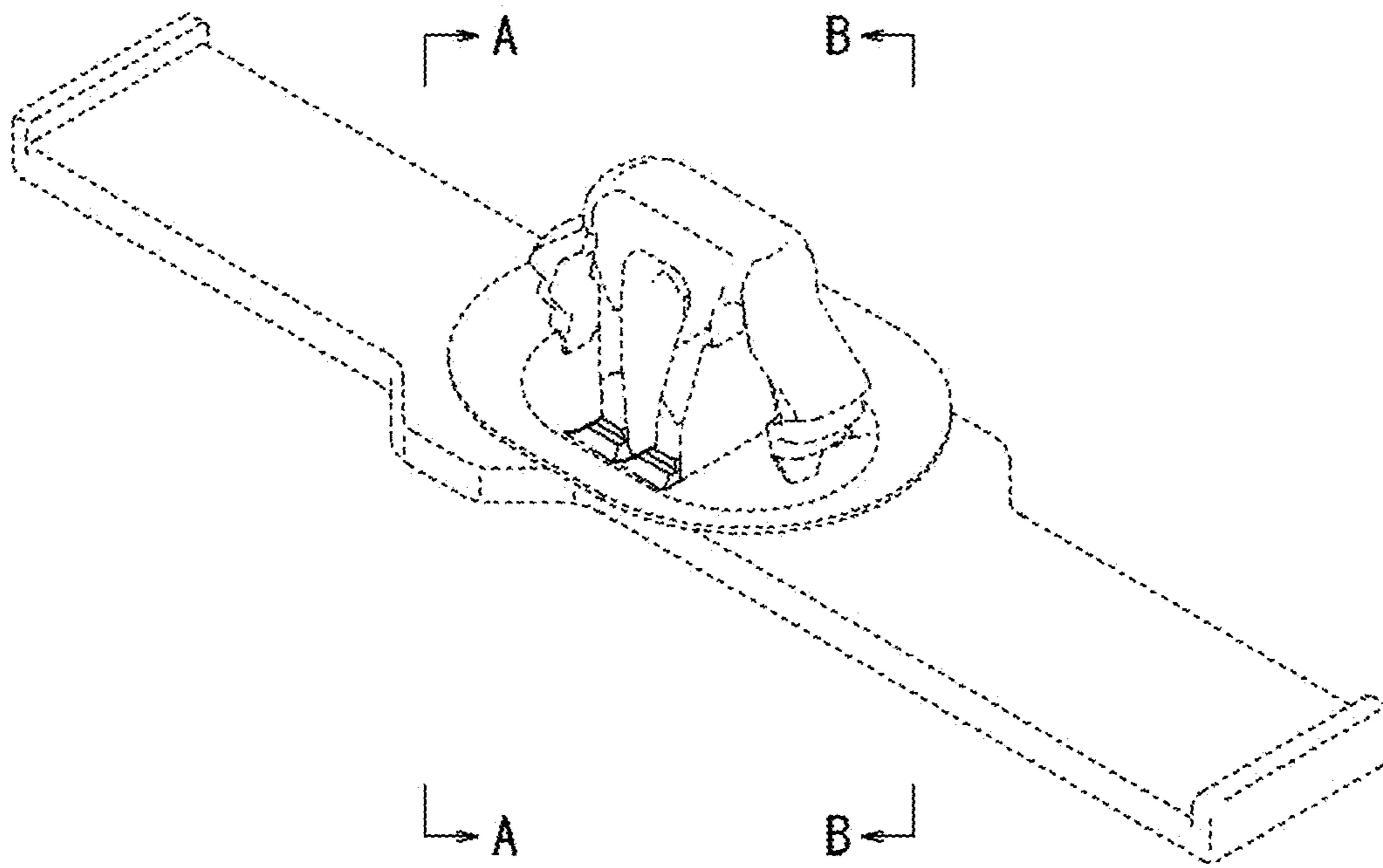


FIG. 1

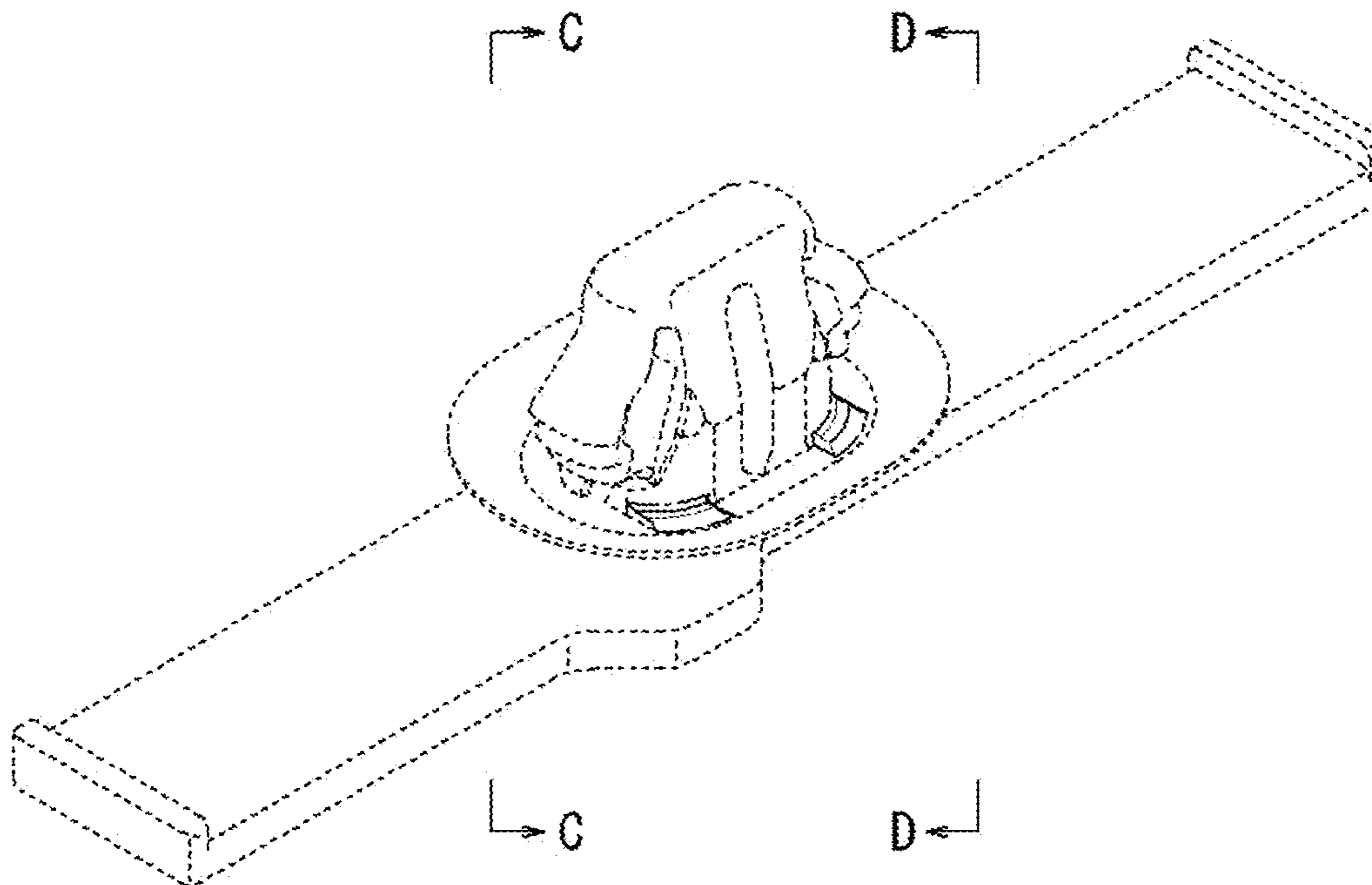


FIG. 2

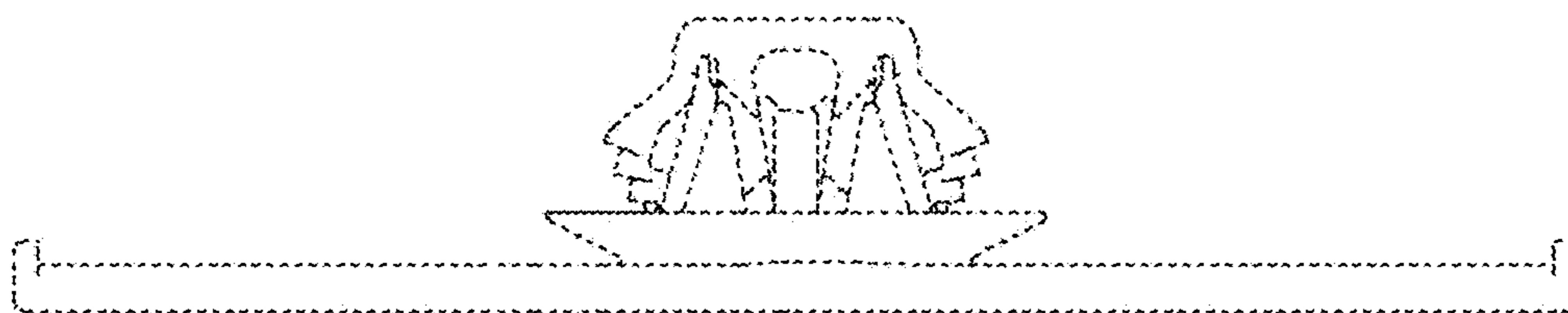


FIG. 3

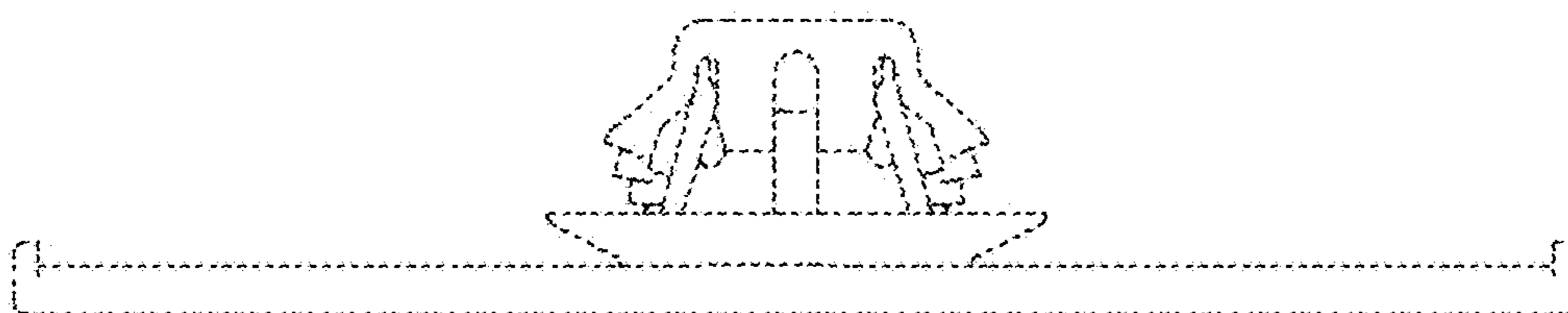


FIG. 4

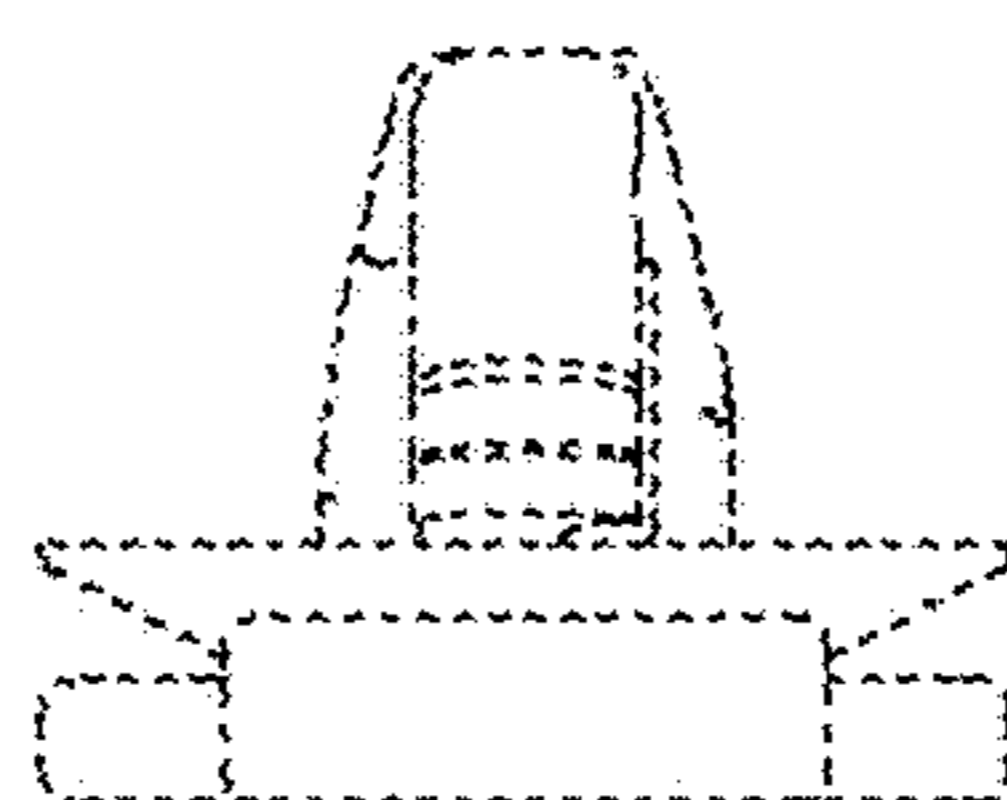


FIG. 5

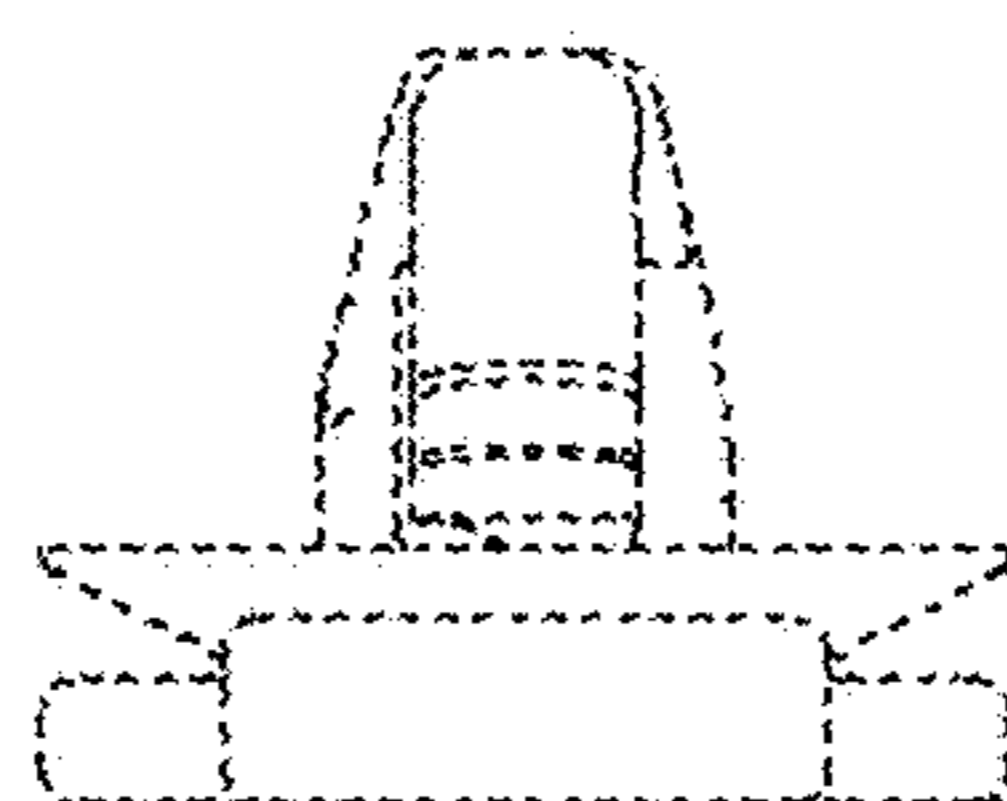


FIG. 6

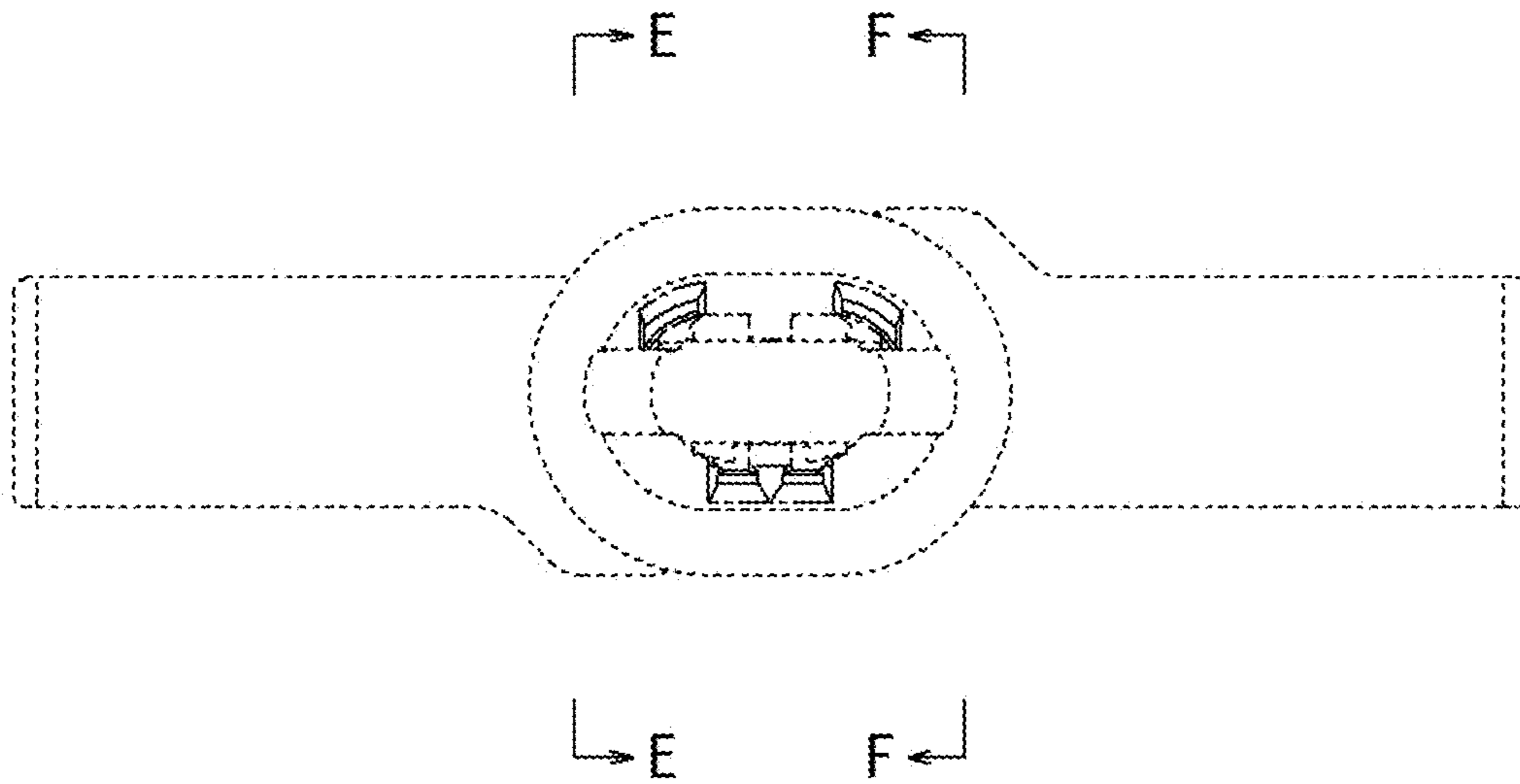


FIG. 7

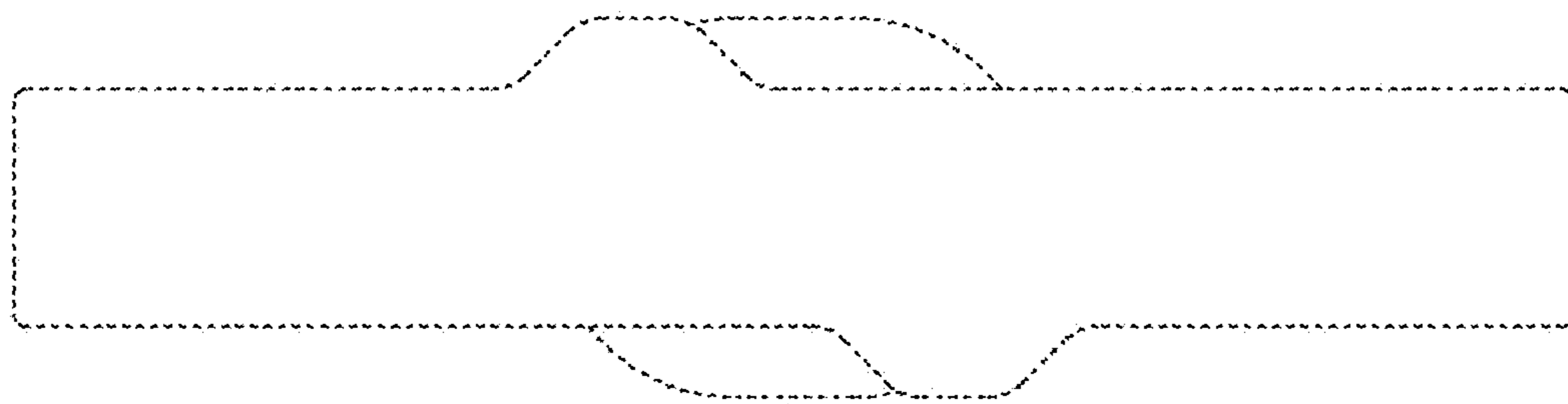


FIG. 8

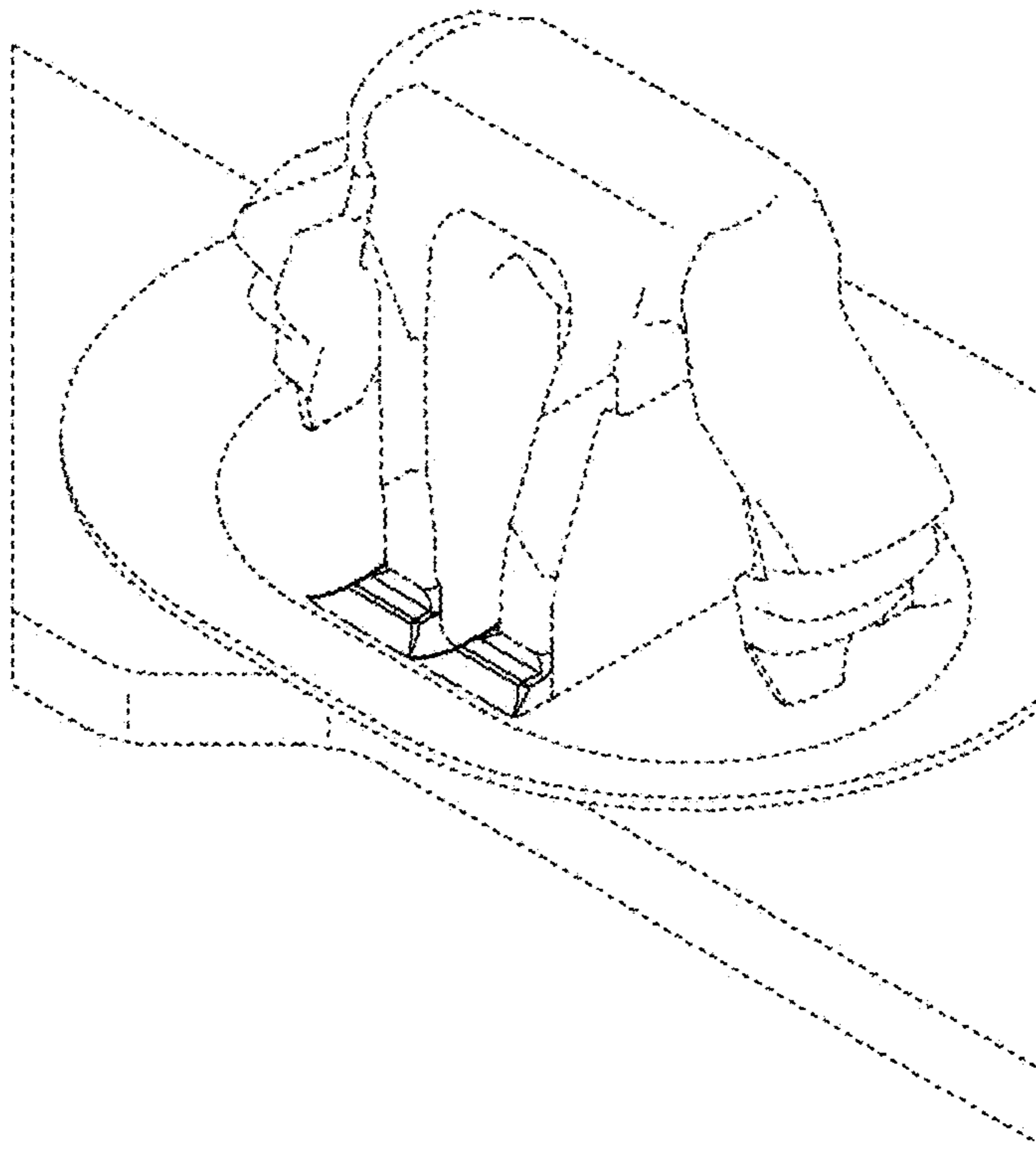


FIG. 9

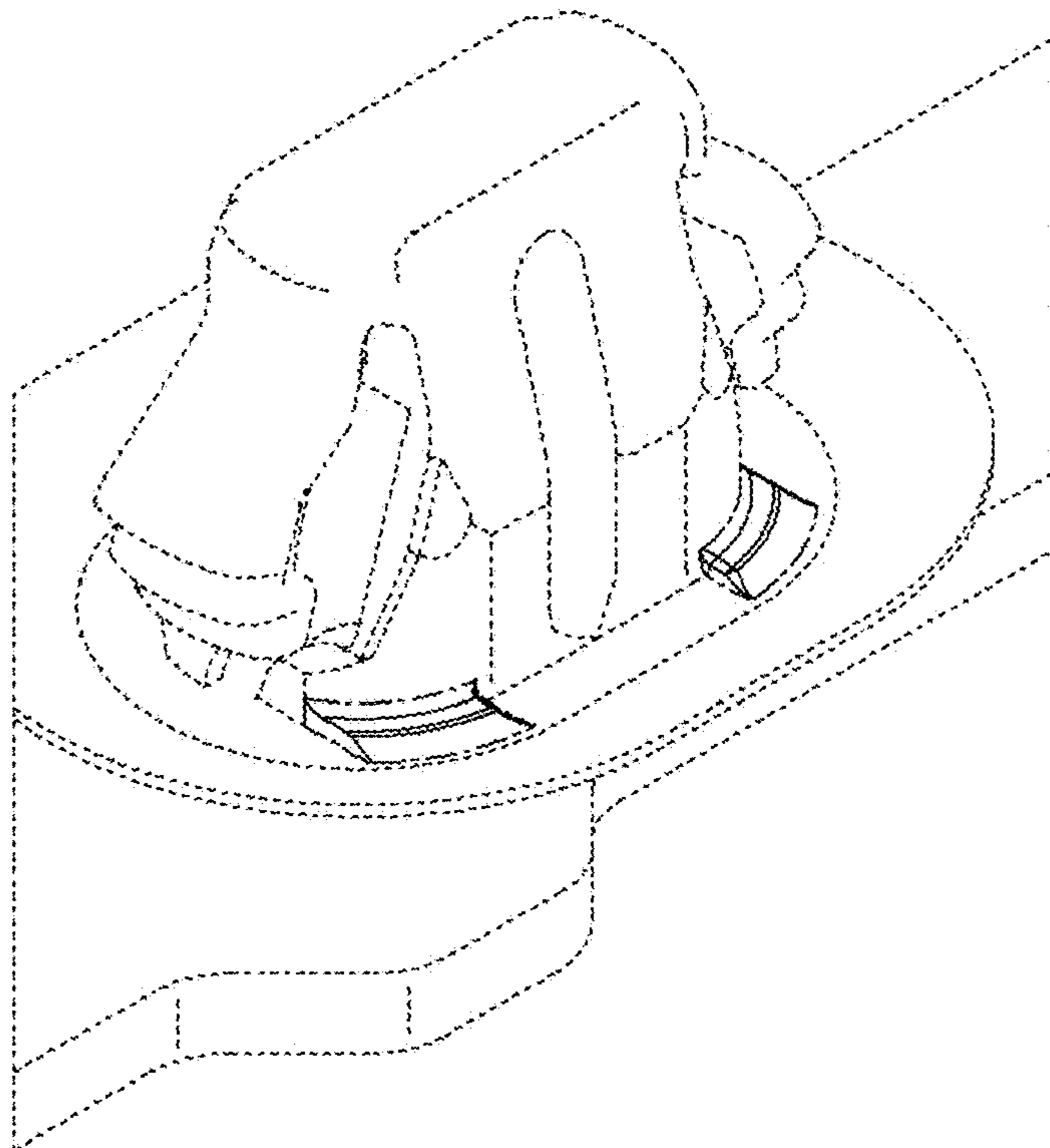


FIG. 10

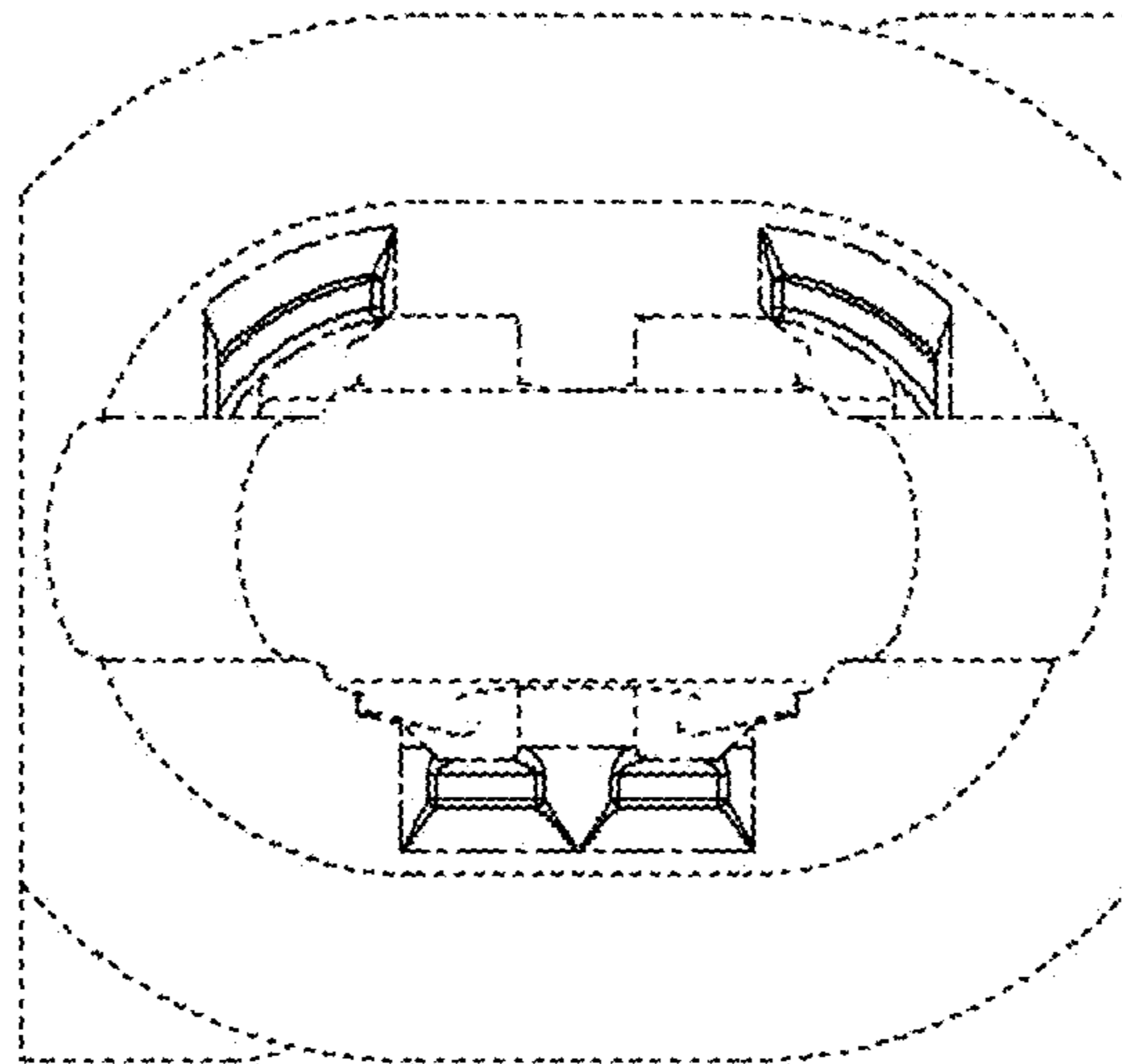


FIG. 11