



US00D871888S

(12) **United States Design Patent** (10) **Patent No.:** **US D871,888 S**
Masalin et al. (45) **Date of Patent:** **** Jan. 7, 2020**

(54) **HANDLE**

- (71) Applicant: **Fiskars Finland Oy Ab**, Helsinki (FI)
- (72) Inventors: **Petteri Masalin**, Helsinki (FI); **Aaro Huttunen**, Helsinki (FI); **Mikko Kemppe**, Helsinki (FI); **Juha Huhtala**, Helsinki (FI)
- (73) Assignee: **FISKARS FINLAND OY AB**, Helsinki (FI)
- (**) Term: **15 Years**
- (21) Appl. No.: **29/667,592**
- (22) Filed: **Oct. 23, 2018**

Related U.S. Application Data

- (62) Division of application No. 29/603,857, filed on May 12, 2017.

Foreign Application Priority Data

- Nov. 15, 2016 (EM) 003464353
- (51) **LOC (12) Cl.** **08-05**
- (52) **U.S. Cl.**
USPC **D8/107; D8/10**
- (58) **Field of Classification Search**
USPC D8/1, 10, 11, 12, 107, 300; D32/52
CPC B25G 1/01; B25G 1/04; B25G 1/06; E01H
5/02; Y10T 16/444
- See application file for complete search history.

(56) **References Cited**

U.S. PATENT DOCUMENTS

D189,486 S	12/1960	Walsh et al.
D269,490 S	6/1983	Germain
D384,873 S	10/1997	Aquilina
D548,550 S	8/2007	Yeh
D592,920 S	5/2009	Boies et al.
7,581,771 B2	9/2009	Rosine et al.
D604,573 S	11/2009	Boies et al.
D621,669 S	8/2010	Duncan
D673,874 S	1/2013	Long et al.
D678,012 S	3/2013	Arcati
D703,500 S	4/2014	McFadden
D712,220 S	9/2014	Boies
D764,889 S	8/2016	Merten
D782,894 S	4/2017	Depietro et al.
D811,849 S	3/2018	Chou

Primary Examiner — Philip S Hyder

(74) *Attorney, Agent, or Firm* — Leason Ellis LLP

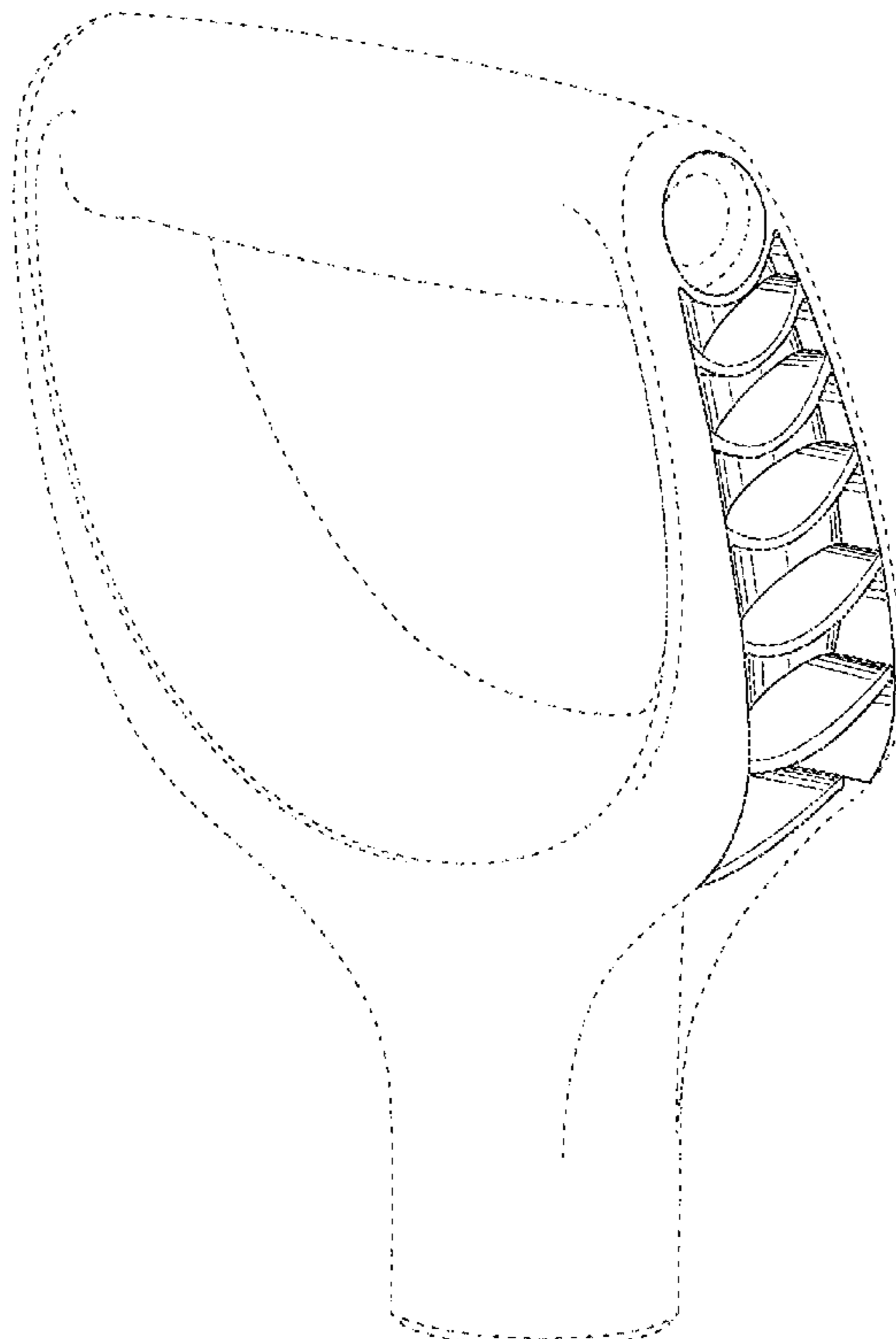
(57) **CLAIM**

The ornamental design for a handle, as shown and described.

DESCRIPTION

FIG. 1 is a top perspective view of the claimed design;
 FIG. 2 is a front view thereof;
 FIG. 3 is a rear view thereof;
 FIG. 4 is a left side view thereof;
 FIG. 5 is a right side view thereof;
 FIG. 6 is a bottom view thereof; and,
 FIG. 7 is a top view thereof.

1 Claim, 5 Drawing Sheets



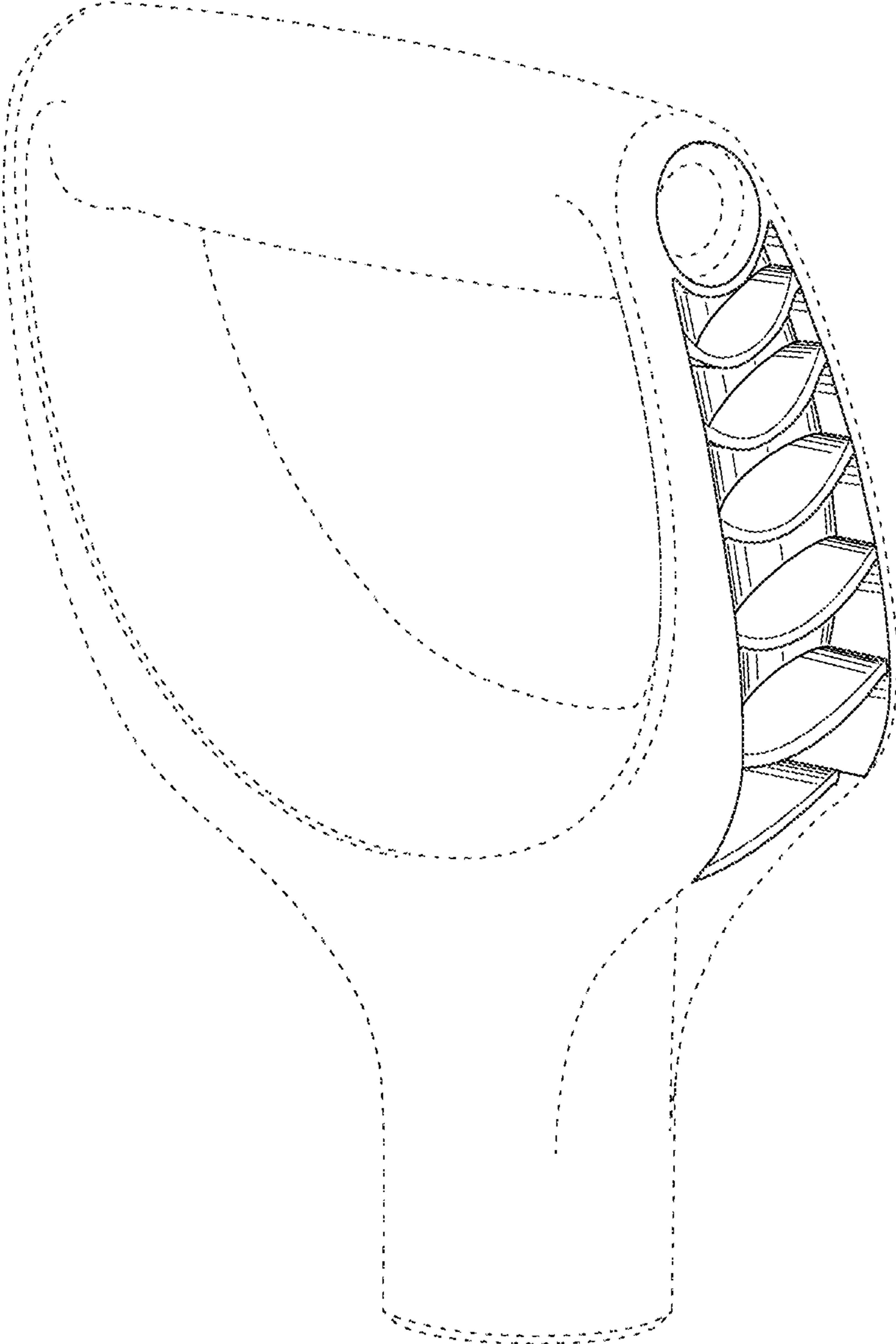


FIG. 1

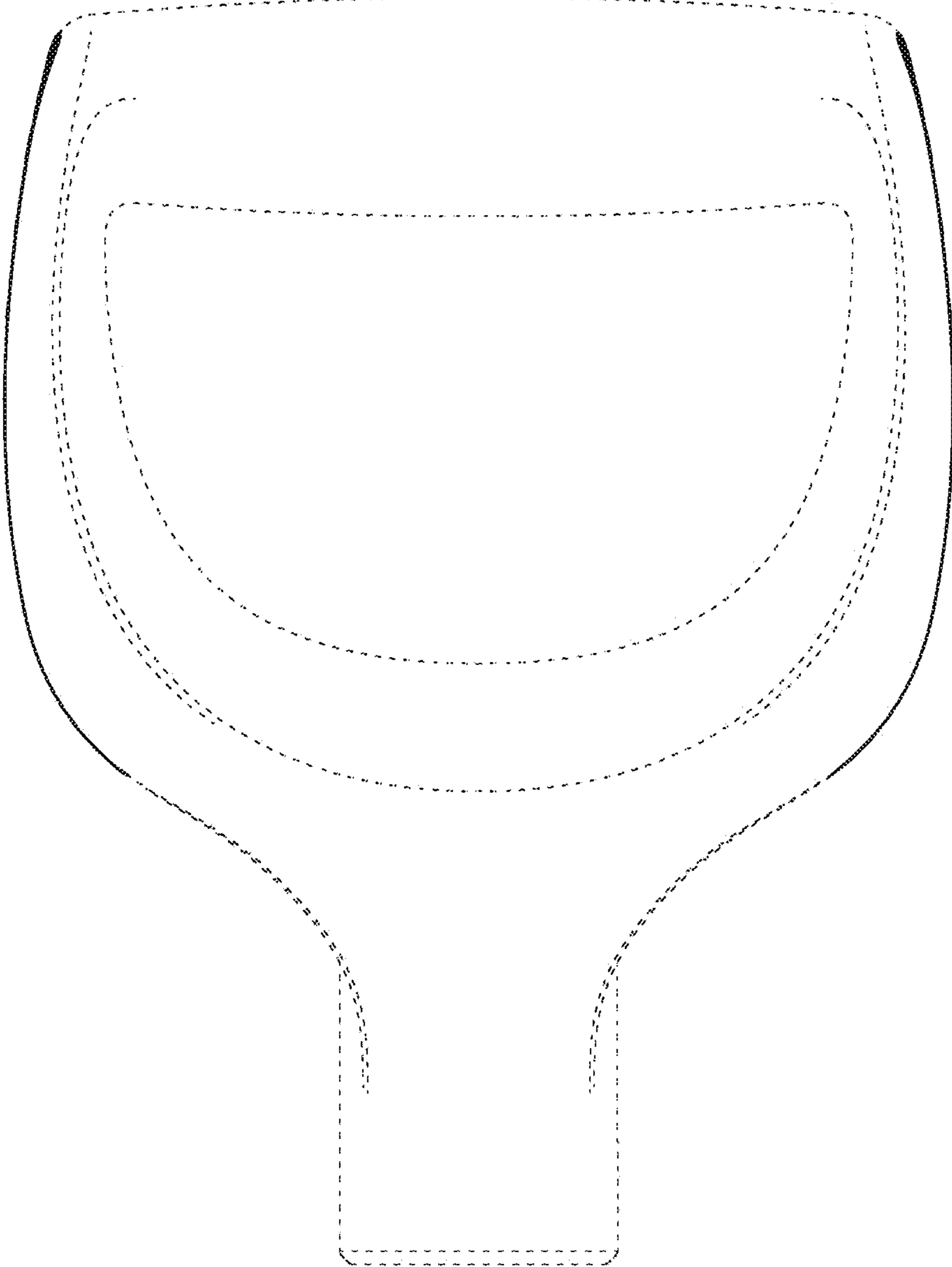


FIG. 2

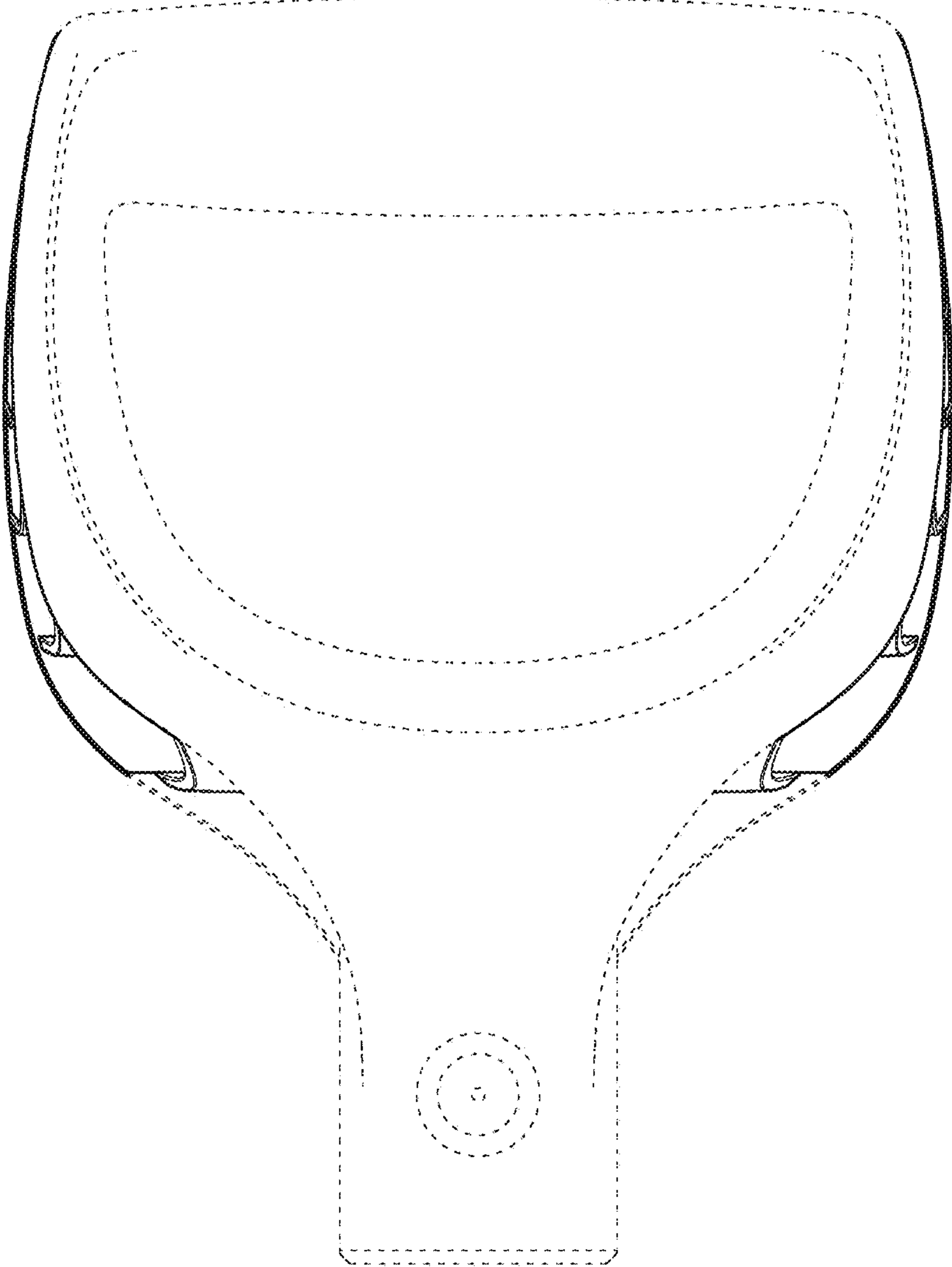


FIG. 3

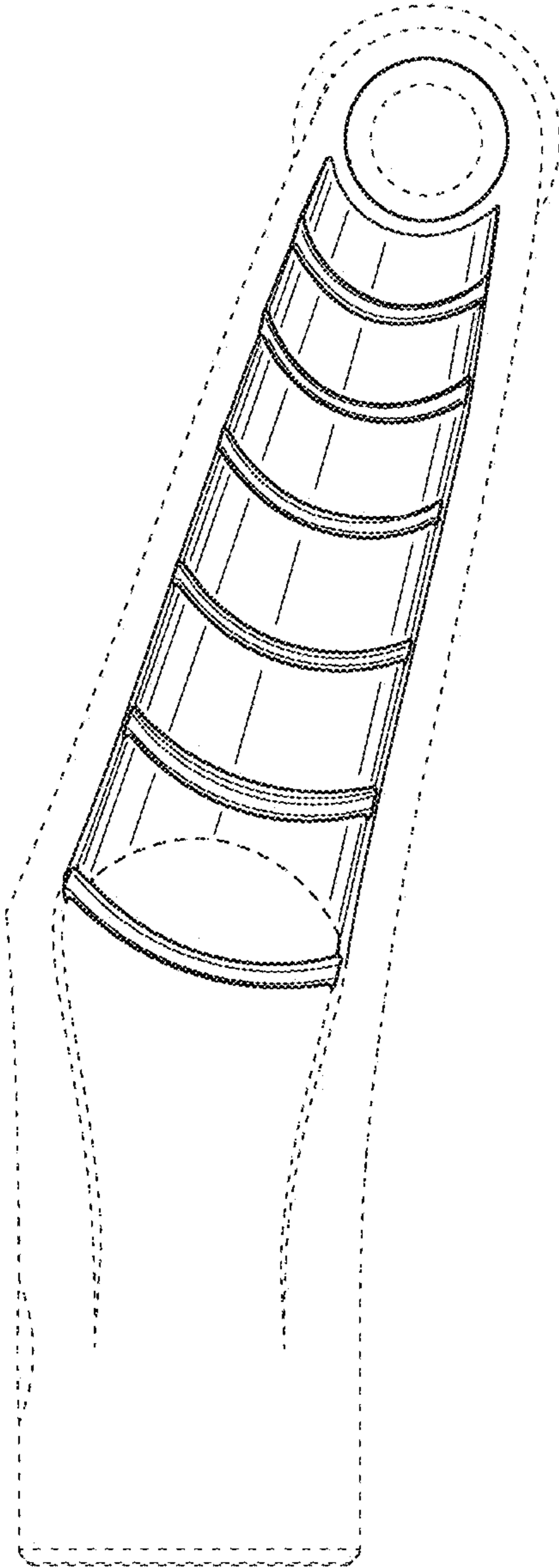


FIG. 4

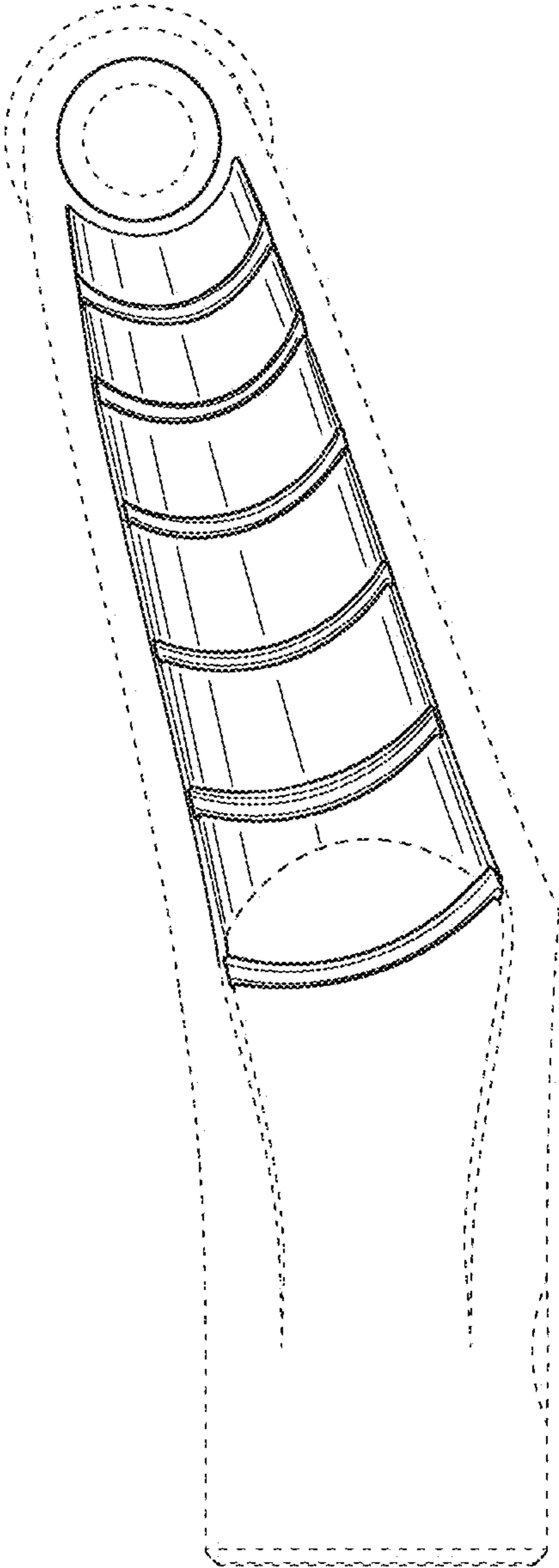


FIG. 5

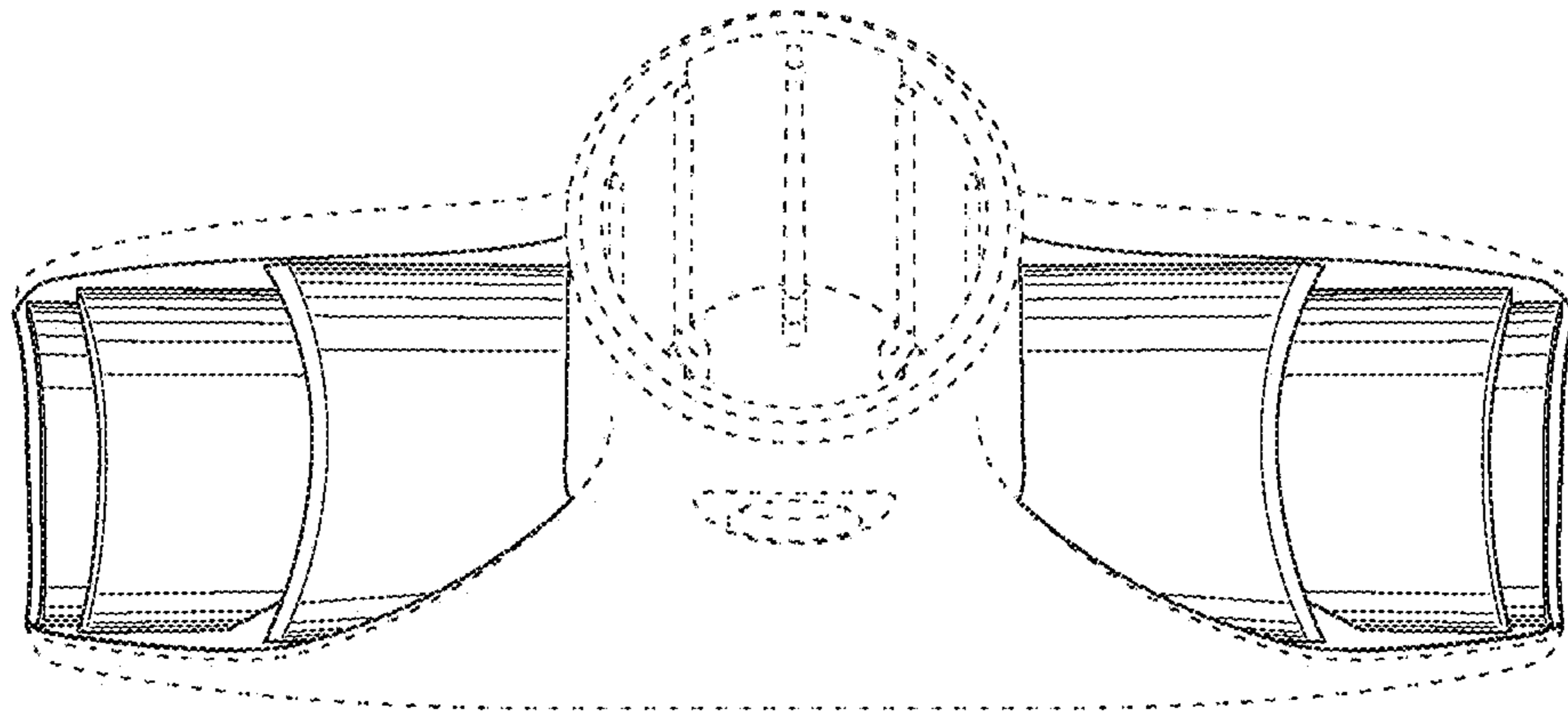


FIG. 6

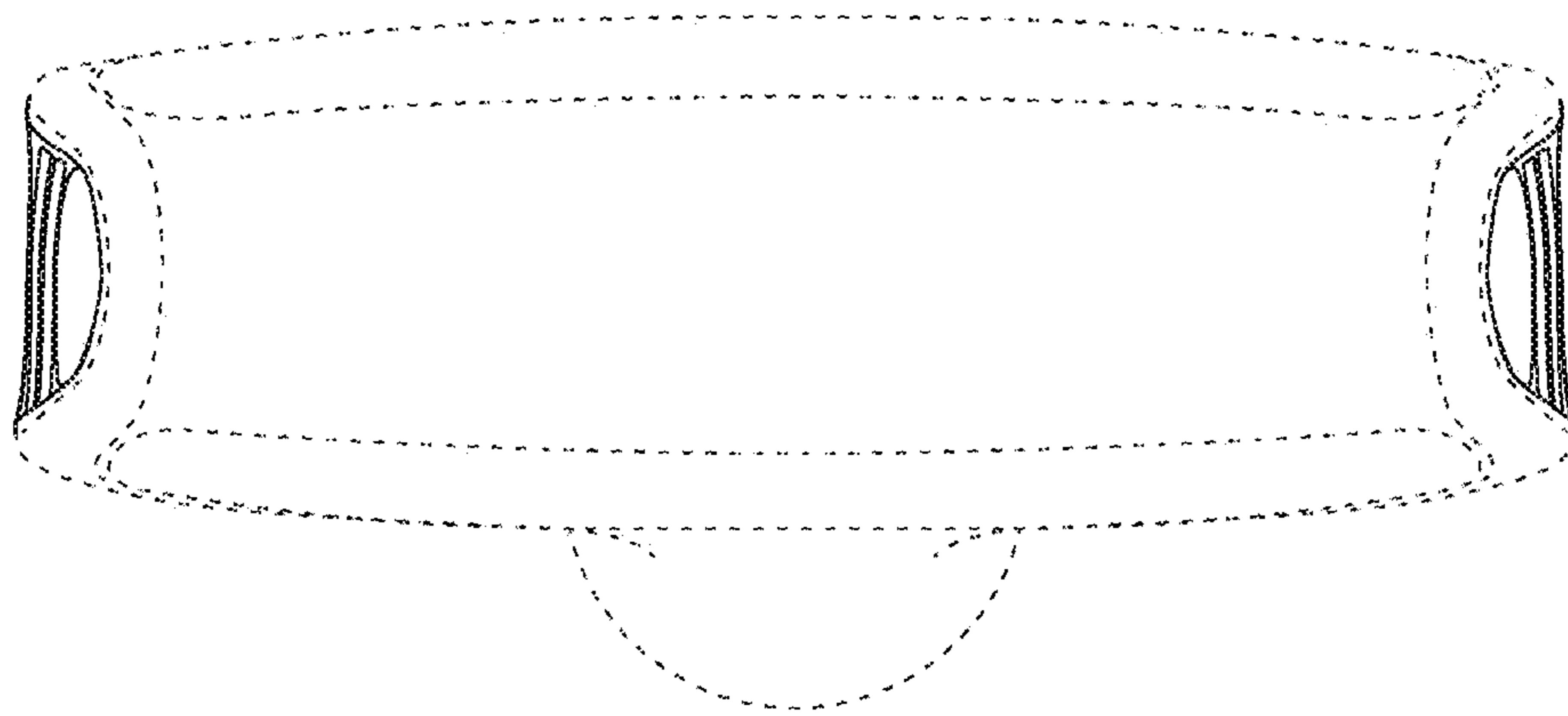


FIG. 7