



US00D871887S

(12) **United States Design Patent**
Marfione

(10) **Patent No.:** **US D871,887 S**
(45) **Date of Patent:** **** Jan. 7, 2020**

- (54) **SWITCHBLADE KNIFE**
- (71) Applicant: **Anthony Louis Marfione**, Fletcher, NC (US)
- (72) Inventor: **Anthony Louis Marfione**, Fletcher, NC (US)
- (73) Assignee: **Microtech Knives, Inc.**, Bradford, PA (US)
- (**) Term: **15 Years**
- (21) Appl. No.: **29/667,413**
- (22) Filed: **Oct. 22, 2018**
- (51) **LOC (12) Cl.** **08-03**
- (52) **U.S. Cl.**
USPC **D8/99**
- (58) **Field of Classification Search**
USPC D8/98, 99, 100, 105, 107; D22/118
CPC B26B 5/001; B26B 5/003; B26B 11/00;
B26B 1/08; B26B 1/02; B26B 1/10;
B26B 1/04; B26B 1/042; B26B 1/048;
B26B 3/08; B26B 29/06
See application file for complete search history.

8,671,578	B1	3/2014	Frazer	
9,375,854	B2	6/2016	Chu	
9,498,889	B1	11/2016	Hawk	
D796,932	S	9/2017	Sung	
9,764,485	B1	9/2017	Hawk	
D810,540	S	2/2018	Marfione	
10,220,527	B1	3/2019	Marfione	
2007/0175045	A1 *	8/2007	McHenry B26B 1/08 30/162
2008/0222895	A1 *	9/2008	Marfione A62B 3/00 30/151
2008/0222897	A1 *	9/2008	Marfione B26B 1/08 30/162
2009/0235534	A1 *	9/2009	Chu B26B 1/08 30/162
2014/0101943	A1 *	4/2014	Chu B26B 1/08 30/162
2014/0173911	A1 *	6/2014	Chu B26B 1/08 30/162

* cited by examiner

Primary Examiner — Philip S Hyder
(74) *Attorney, Agent, or Firm* — Steve LeBlanc, LLC

(57) **CLAIM**

The ornamental design for a switchblade knife, as shown and described.

(56) **References Cited**

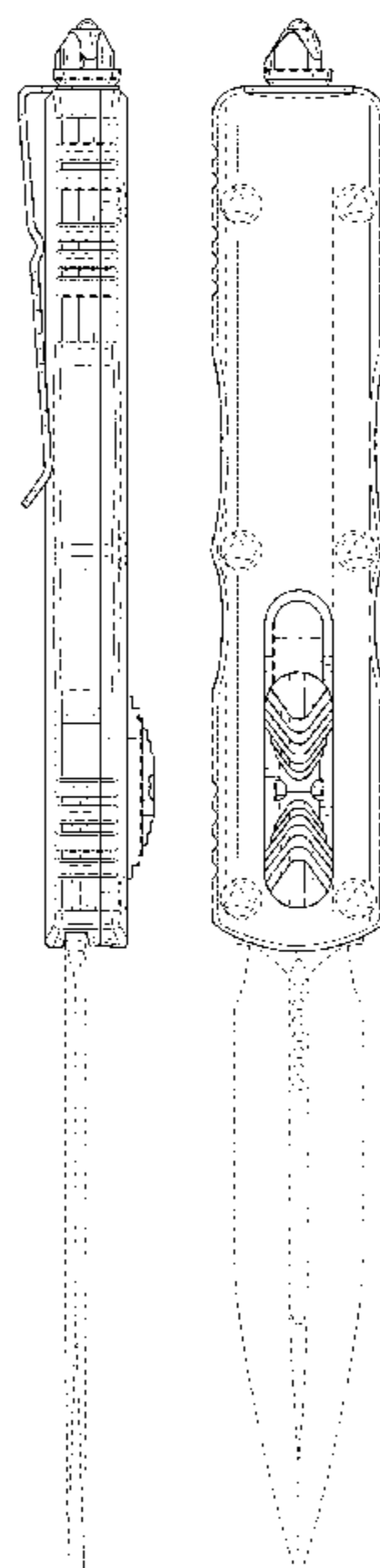
U.S. PATENT DOCUMENTS

6,085,423	A *	7/2000	Marifone B26B 1/08 30/151
D510,514	S *	10/2005	Ray D8/99
7,305,769	B2 *	12/2007	McHenry B26B 1/08 30/162
D560,994	S *	2/2008	Green D8/99
7,562,455	B2	7/2009	McHenry	
7,574,804	B2	8/2009	Bezold	
D666,887	S *	9/2012	Wattenberg D8/99
8,595,941	B2 *	12/2013	Lee B26B 1/08 30/151

DESCRIPTION

FIG. 1 is a blade-end view of the switchblade knife; FIG. 2 is a glass break-end view of the switchblade knife; FIG. 3 is a left side view of the switchblade knife; FIG. 4 is a right side view of the switchblade knife; FIG. 5 is a top view of the switchblade knife; and, FIG. 6 is a bottom view of the switchblade knife. The broken lines depict portions of the switchblade knife in which the design is embodied that are not considered part of the claimed design.

1 Claim, 3 Drawing Sheets



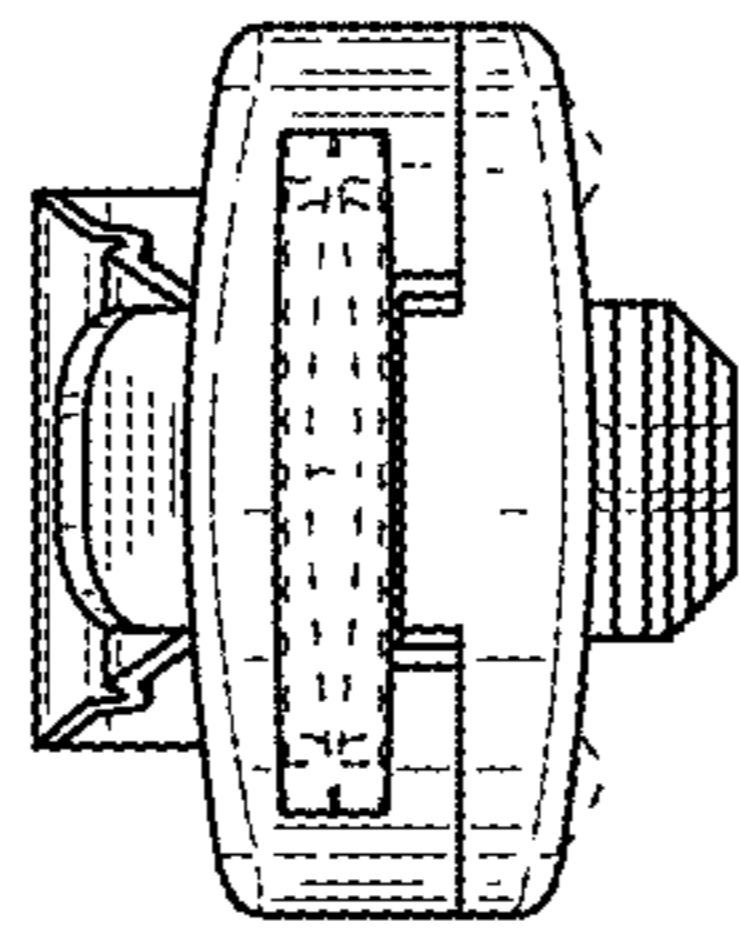


FIG. 1

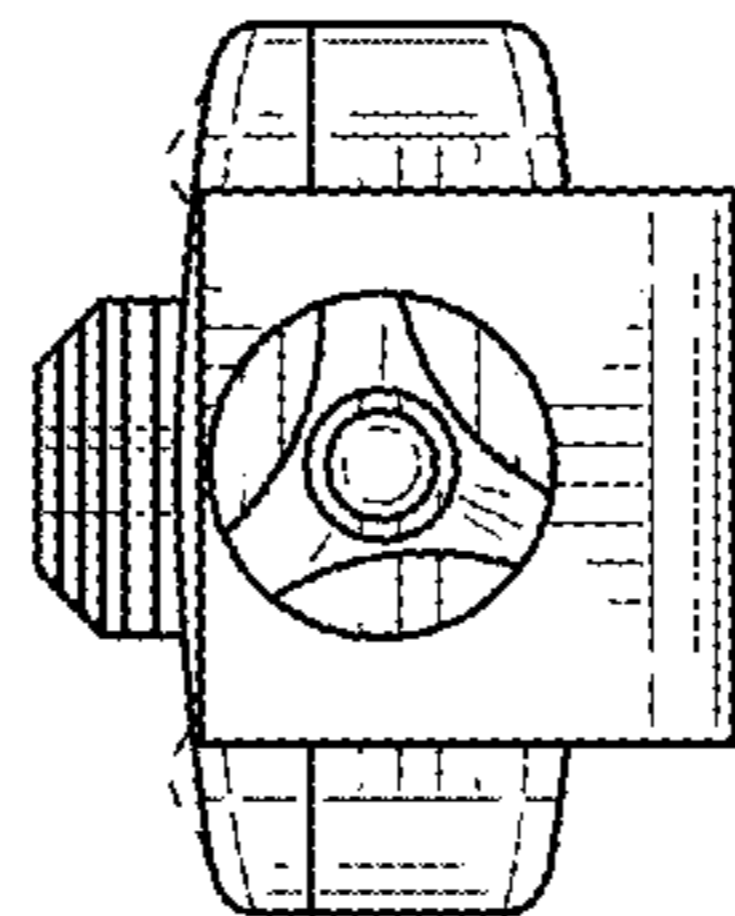


FIG. 2

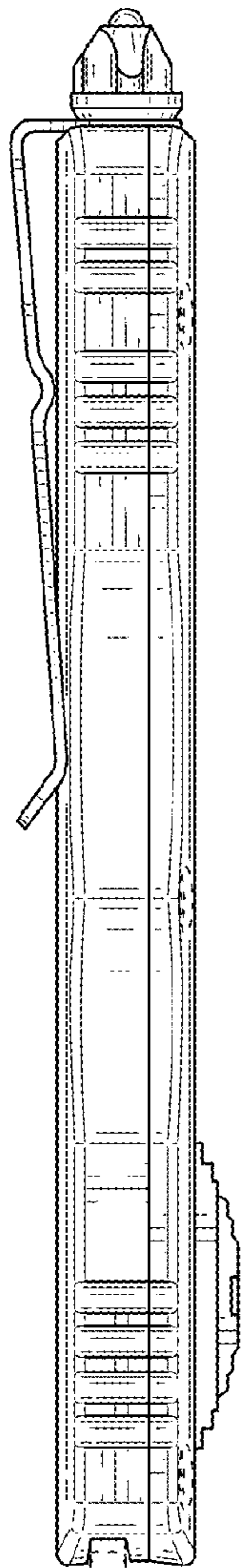


FIG. 3

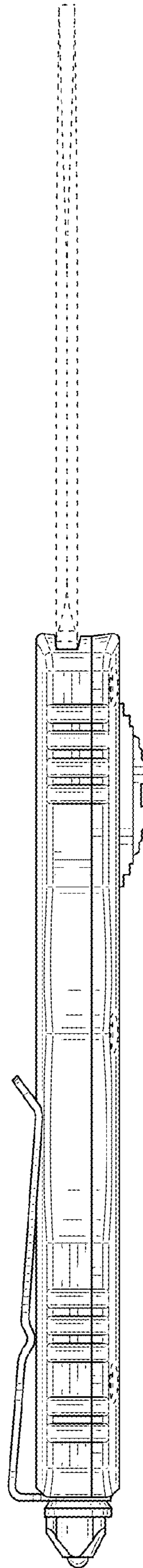


FIG. 4

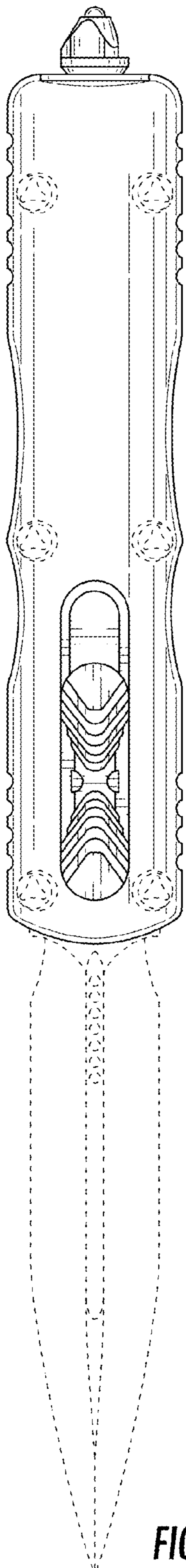


FIG. 5

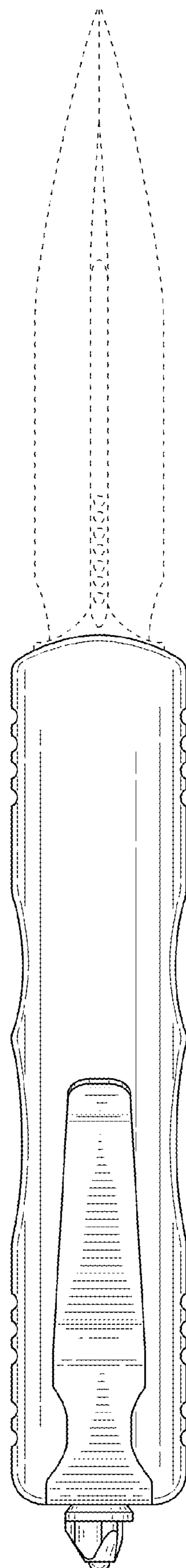


FIG. 6