



US00D871884S

(12) **United States Design Patent**  
**Miller et al.**

(10) **Patent No.:** **US D871,884 S**

(45) **Date of Patent:** **\*\* Jan. 7, 2020**

- (54) **CENTERING DOVETAIL VISE**
- (71) Applicants: **Lonnie W. Miller**, Roscoe, IL (US);  
**Alvin M. Goellner**, Rockford, IL (US)
- (72) Inventors: **Lonnie W. Miller**, Roscoe, IL (US);  
**Alvin M. Goellner**, Rockford, IL (US)
- (73) Assignee: **Advanced Machine & Engineering Co.**, Rockford, IL (US)

- (\*\*) Term: **15 Years**
- (21) Appl. No.: **29/668,426**
- (22) Filed: **Oct. 30, 2018**

**Related U.S. Application Data**

- (62) Division of application No. 29/556,091, filed on Feb. 26, 2016, now Pat. No. Des. 837,017.
- (51) **LOC (12) Cl.** ..... **08-05**
- (52) **U.S. Cl.**  
USPC ..... **D8/74; D15/140**
- (58) **Field of Classification Search**  
USPC ..... D15/7, 9, 10, 13, 17, 27, 28, 122, 123,  
D15/124, 125, 126, 127, 128, 129, 138,  
D15/139, 140, 141, 199; D8/71, 72, 73,  
D8/74  
CPC .... B25D 3/00; B25D 17/02; B25D 2250/111;  
B25D 2211/003; B25D 16/00; E21B  
10/52; E21B 10/16; E21B 10/567; C03B  
23/047; C03B 23/0496  
See application file for complete search history.

(56) **References Cited**

**U.S. PATENT DOCUMENTS**

- D215,763 S \* 10/1969 Inman, Jr. et al. .... D15/123
- D232,760 S \* 9/1974 Lanese ..... D15/130
- D232,761 S \* 9/1974 Lanese ..... D15/130
- 3,961,854 A \* 6/1976 Jaquet ..... A61B 17/6466  
403/59

- D254,376 S \* 3/1980 Glomb ..... D15/140
  - 4,199,313 A \* 4/1980 Bohnenberger ..... B22C 21/10  
164/385
  - 4,344,259 A \* 8/1982 Barolin ..... B24B 13/02  
451/390
  - 4,383,682 A \* 5/1983 Feinberg ..... B25B 1/2463  
269/258
  - D274,913 S \* 7/1984 Bonfield ..... D15/138
- (Continued)

**OTHER PUBLICATIONS**

“Introducing Centering Dovetail Vise (CDV) by Amrok® Workholding” [online]. AME. [Published Apr. 7, 2017]. Retrieved from the Internet: <[https://www.ame.com/news/2017/04/07/introducing-centering-dovetail-vise-\(cdv\)-by-amrok-workholding/](https://www.ame.com/news/2017/04/07/introducing-centering-dovetail-vise-(cdv)-by-amrok-workholding/)>.\*

*Primary Examiner* — Khawaja Anwar

*Assistant Examiner* — Mojtaba Tehrani

(74) *Attorney, Agent, or Firm* — Reinhart Boerner Van Deuren P.C.

(57) **CLAIM**

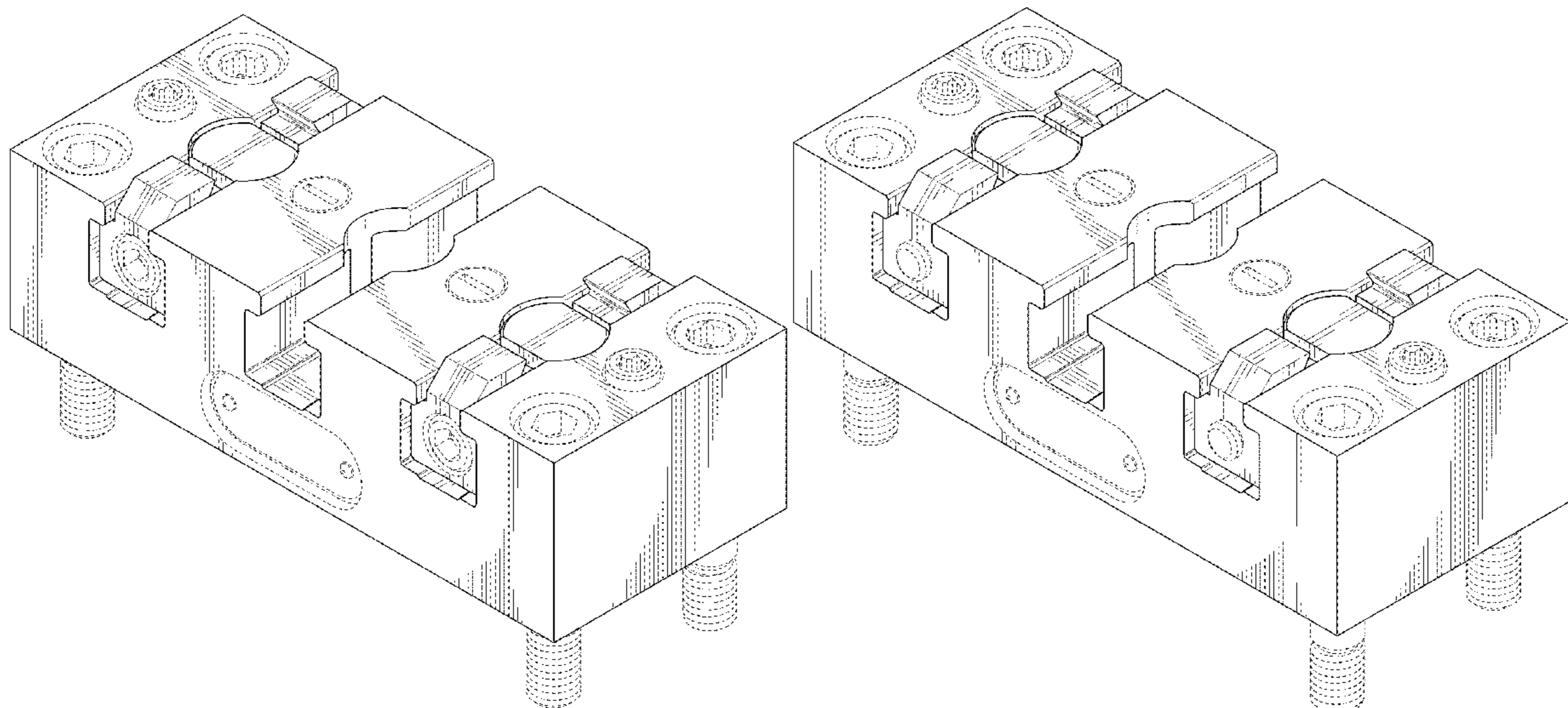
We claim the ornamental design for the centering dovetail vise, as shown and described.

**DESCRIPTION**

FIG. 1 is a perspective view of the centering dovetail vise; FIG. 2 is another perspective view thereof; FIG. 3 is a front view thereof; FIG. 4 is a back view thereof; FIG. 5 is a top view thereof; FIG. 6 is a bottom view thereof; FIG. 7 is a side view thereof; and, FIG. 8 is another side view thereof, showing the side opposite that shown in FIG. 7.

The broken lines in the drawings depict unclaimed portions of the centering dovetail vise and form no part of the claimed design.

**1 Claim, 8 Drawing Sheets**



(56)

References Cited

U.S. PATENT DOCUMENTS

4,685,663 A \* 8/1987 Jorgensen ..... B25B 1/103  
269/244  
4,863,151 A \* 9/1989 Justesen ..... B25B 1/24  
269/261  
D309,463 S \* 7/1990 McDannel ..... D15/123  
5,163,664 A \* 11/1992 Calaiò ..... B25B 1/2452  
269/259  
5,683,077 A \* 11/1997 Fink ..... B25B 1/103  
269/244  
D417,599 S \* 12/1999 Wolfe ..... D8/74  
D420,880 S \* 2/2000 Lavigne ..... D8/74  
D421,208 S \* 2/2000 Lavigne ..... D8/74  
D422,868 S \* 4/2000 Lavigne ..... D8/74  
6,045,126 A \* 4/2000 Brzezinski ..... B25B 1/2405  
269/240  
6,062,553 A \* 5/2000 Strehl ..... B25B 1/2452  
269/153  
D435,772 S \* 1/2001 Lavigne ..... D8/74  
D436,012 S \* 1/2001 Lavigne ..... D8/74  
D437,200 S \* 2/2001 Lavigne ..... D8/74  
D438,215 S \* 2/2001 Kaneko ..... D15/7  
D446,229 S \* 8/2001 Kaneko ..... D15/143  
6,309,003 B1 \* 10/2001 Bertini ..... B25J 15/0253  
294/119.1  
D457,900 S \* 5/2002 Hanne ..... D15/140  
6,409,161 B1 \* 6/2002 Wolff ..... B25B 1/18  
269/134  
6,659,439 B1 \* 12/2003 Baumgartner ..... B25B 1/12  
269/137  
6,896,249 B1 \* 5/2005 Ferrara ..... B25B 1/12  
269/138  
6,957,809 B1 \* 10/2005 Ferrara ..... B25B 1/2405  
269/282  
7,152,855 B1 \* 12/2006 Martens ..... B25B 1/2468  
269/283

D640,521 S \* 6/2011 Tschida ..... D8/74  
D647,381 S \* 10/2011 Lin ..... D8/74  
8,167,291 B2 \* 5/2012 Parks ..... B25B 1/2468  
269/261  
D666,072 S \* 8/2012 Tschida ..... D8/74  
D685,827 S \* 7/2013 Sun ..... D15/140  
D685,828 S \* 7/2013 Sun ..... D15/140  
D705,634 S \* 5/2014 Furey ..... D8/72  
D716,627 S \* 11/2014 Lin ..... D8/74  
D726,519 S \* 4/2015 Huang ..... D8/74  
8,998,190 B2 \* 4/2015 Winn ..... B25B 1/24  
269/271  
9,004,476 B2 \* 4/2015 Schmidt ..... B25B 1/2463  
269/282  
D736,585 S \* 8/2015 Furey ..... D8/72  
D785,431 S \* 5/2017 Lee ..... D8/74  
9,636,801 B1 \* 5/2017 Lee ..... B25B 1/2484  
D804,926 S \* 12/2017 Atkinson ..... D8/71  
D815,507 S \* 4/2018 Mardaus ..... D8/74  
9,975,221 B2 \* 5/2018 Ursell ..... B25B 5/166  
D826,282 S \* 8/2018 Mead ..... D15/7  
10,113,653 B2 \* 10/2018 Forrest ..... B05B 9/0413  
D837,017 S \* 1/2019 Miller ..... D8/74  
D838,568 S \* 1/2019 Lin ..... D8/74  
10,208,776 B2 \* 2/2019 Hann ..... F16B 2/12  
2003/0071402 A1 \* 4/2003 Martinez ..... B25B 1/06  
269/43  
2009/0020937 A1 \* 1/2009 Odell ..... B25B 1/2463  
269/271  
2014/0021667 A1 \* 1/2014 Wang ..... B25B 1/103  
269/20  
2014/0086680 A1 \* 3/2014 Header ..... E04D 13/10  
403/374.3  
2014/0131933 A1 \* 5/2014 Taylor ..... B25B 1/24  
269/165  
2018/0340558 A1 \* 11/2018 Lembach ..... F16B 5/0225  
2019/0011142 A1 \* 1/2019 Entrekin ..... F24F 7/013  
2019/0064450 A1 \* 2/2019 Evans ..... G02B 6/425

\* cited by examiner

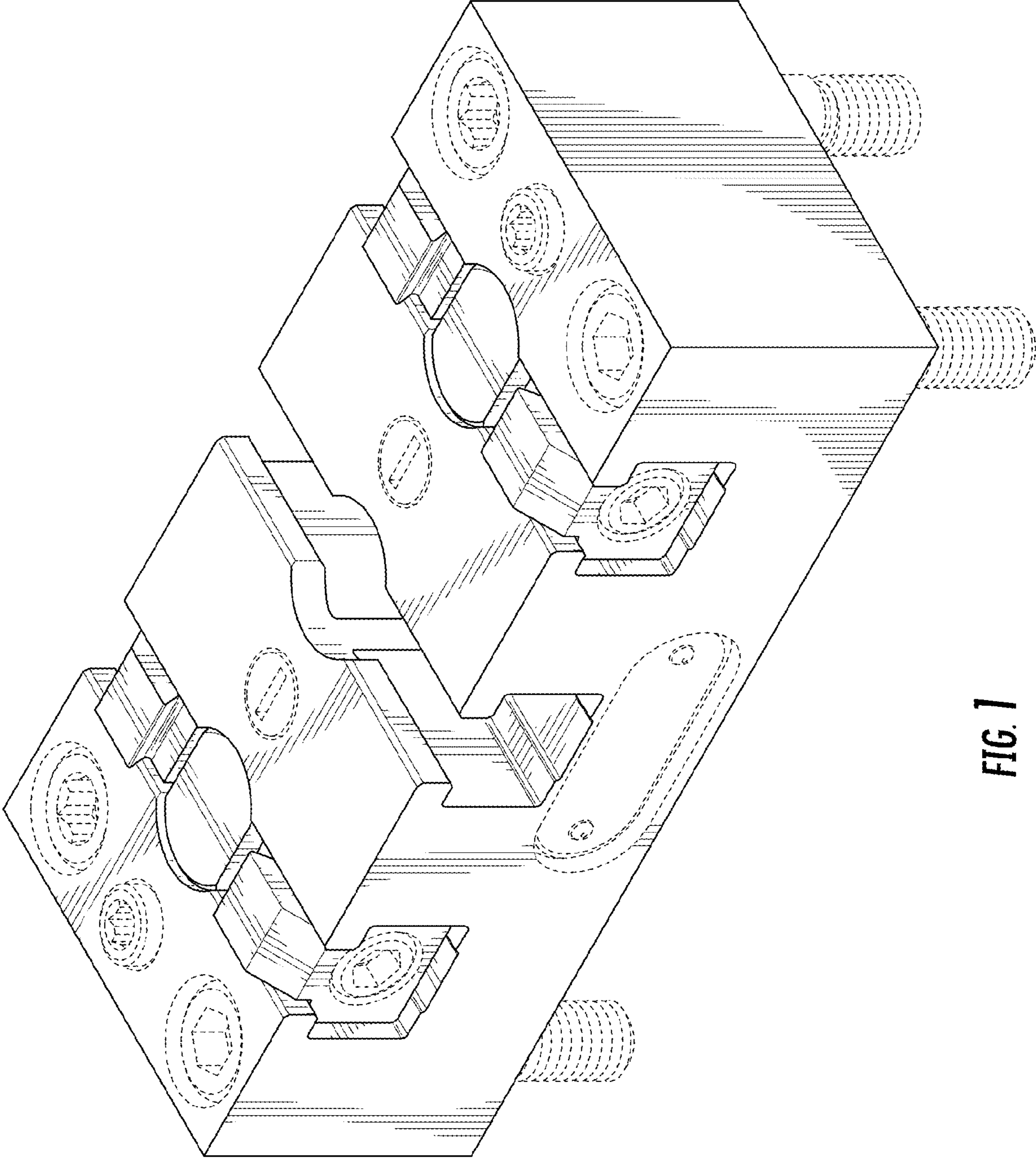


FIG. 1

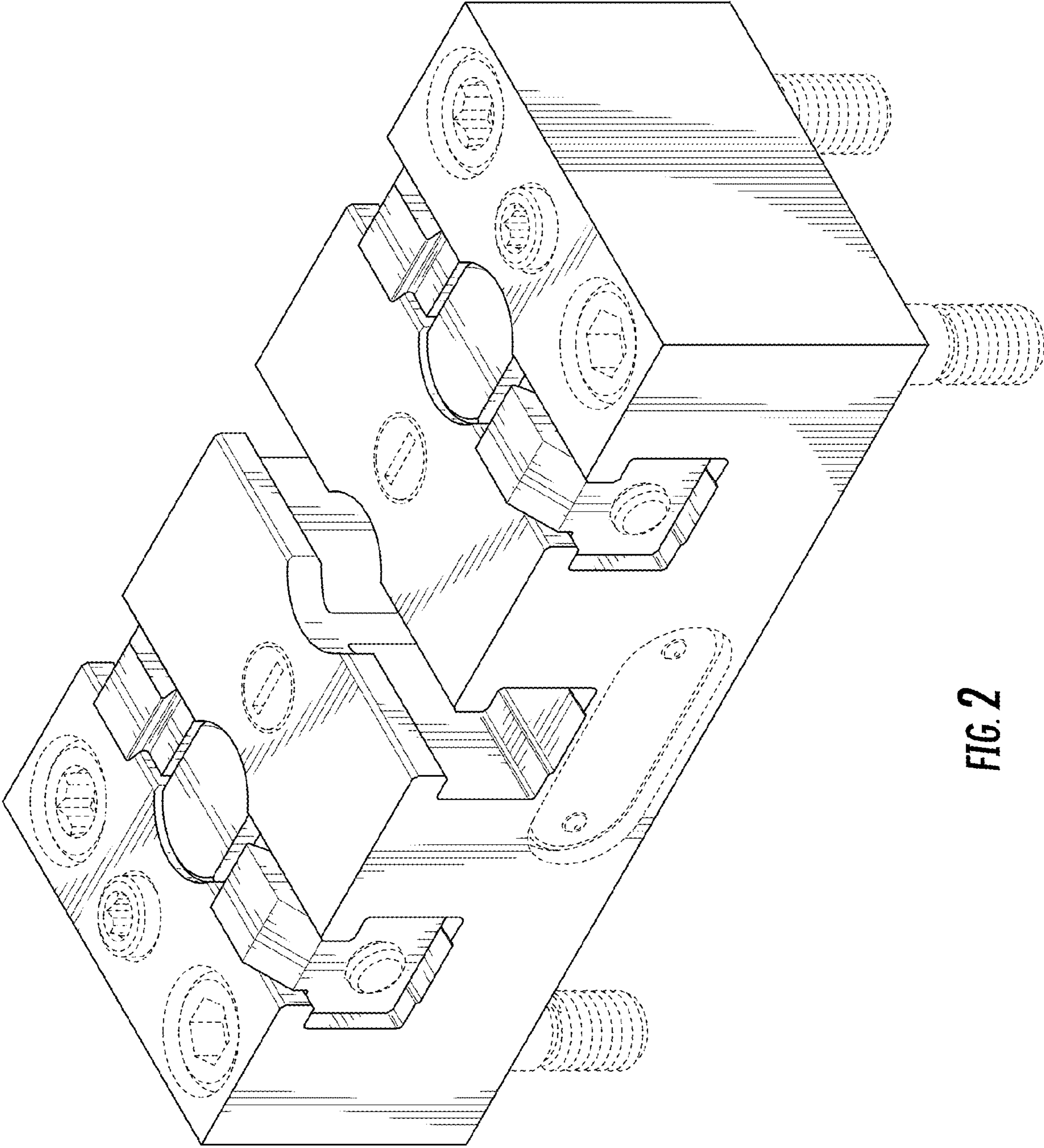


FIG. 2

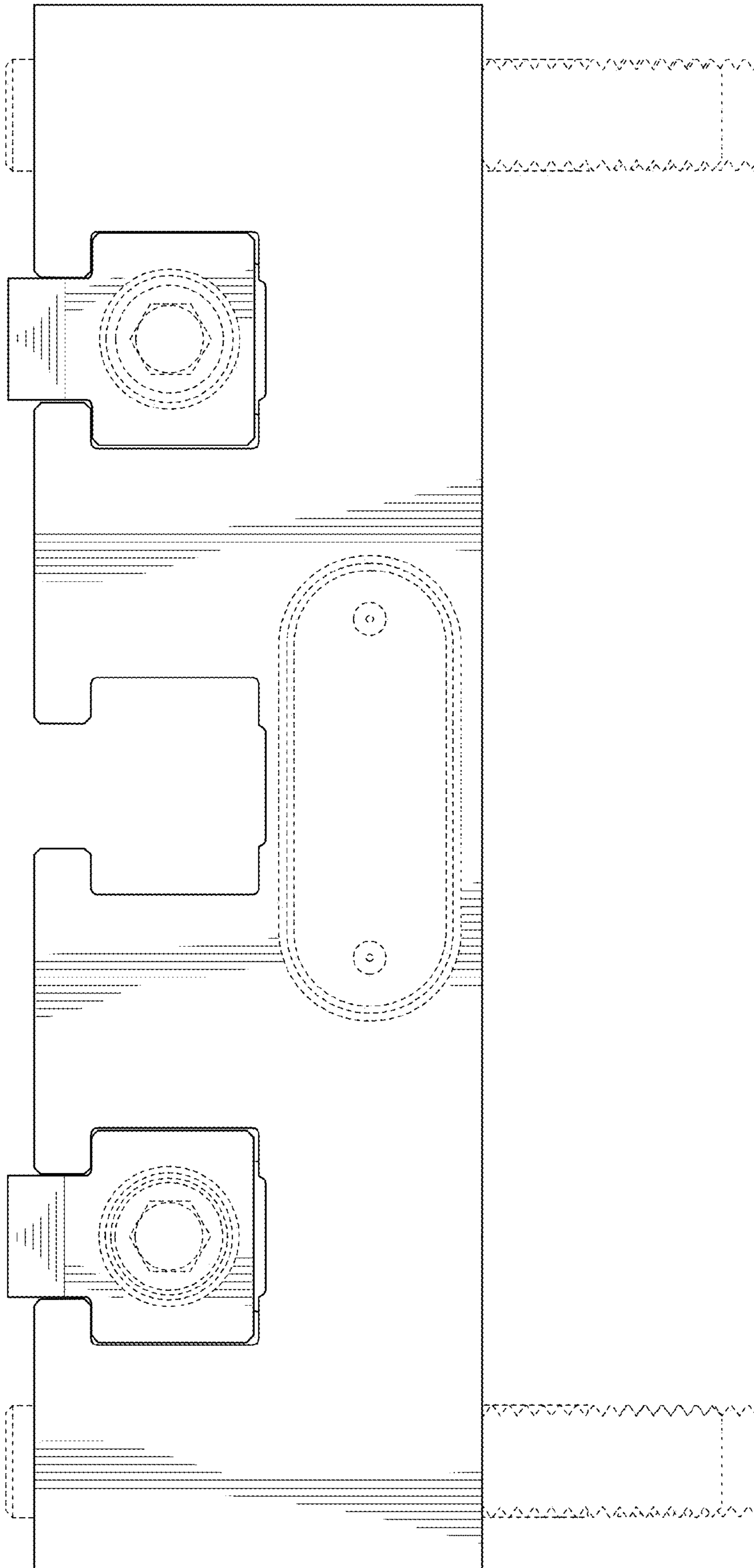


FIG. 3

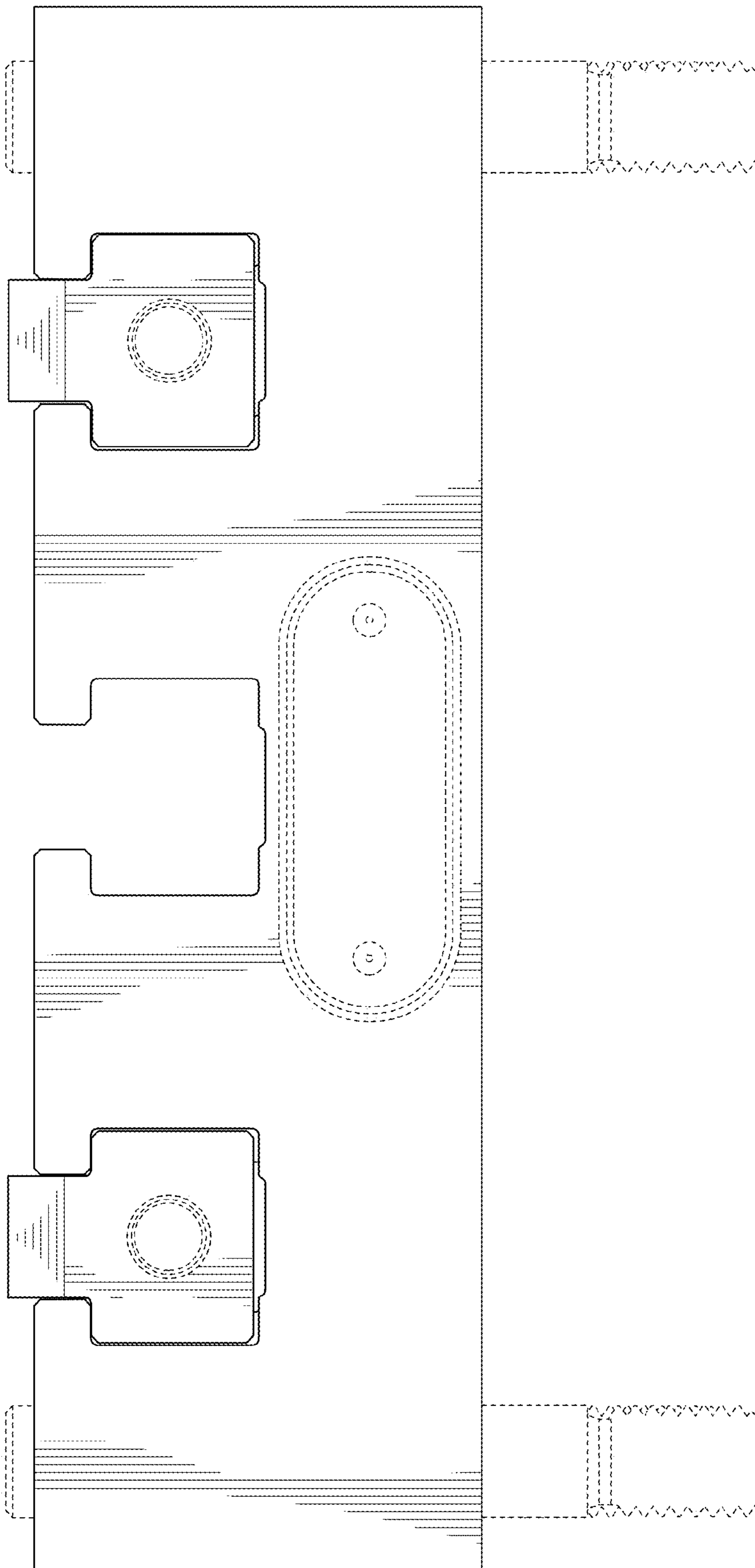


FIG. 4

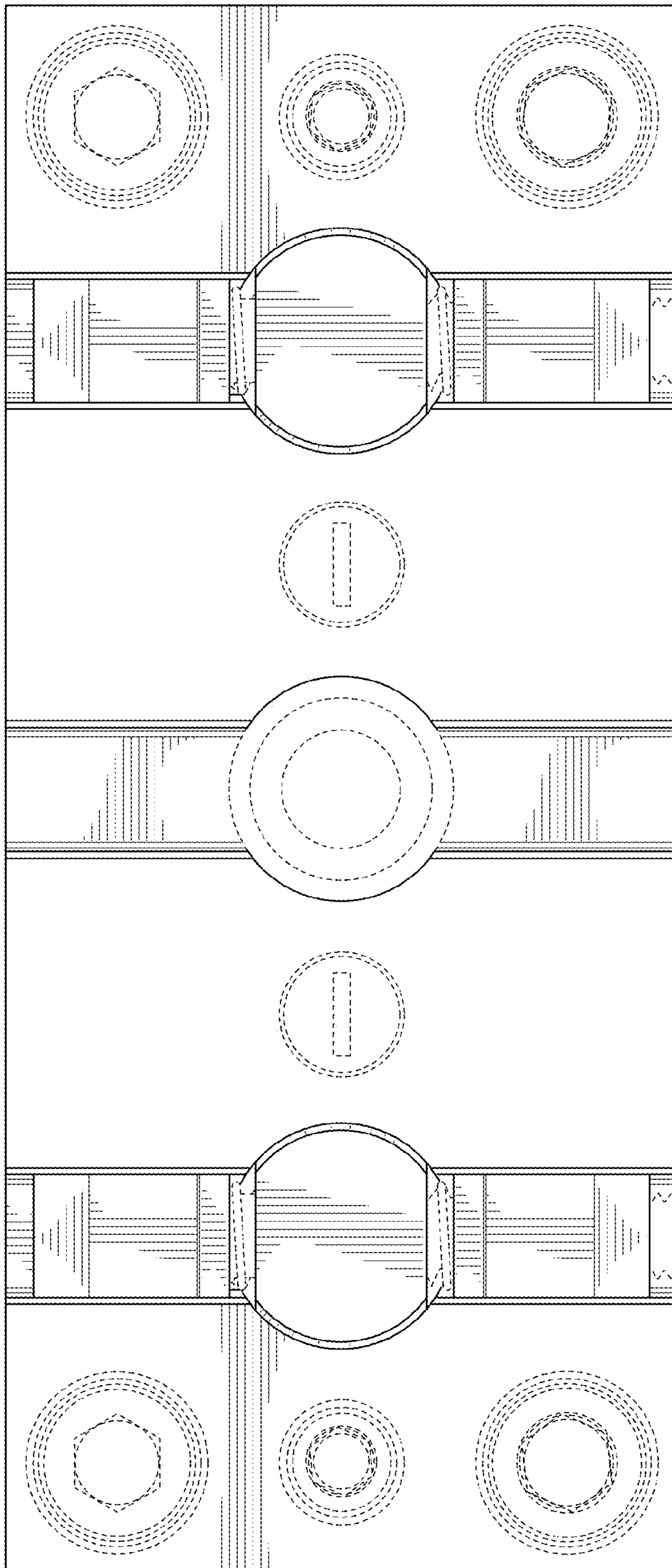


FIG. 5

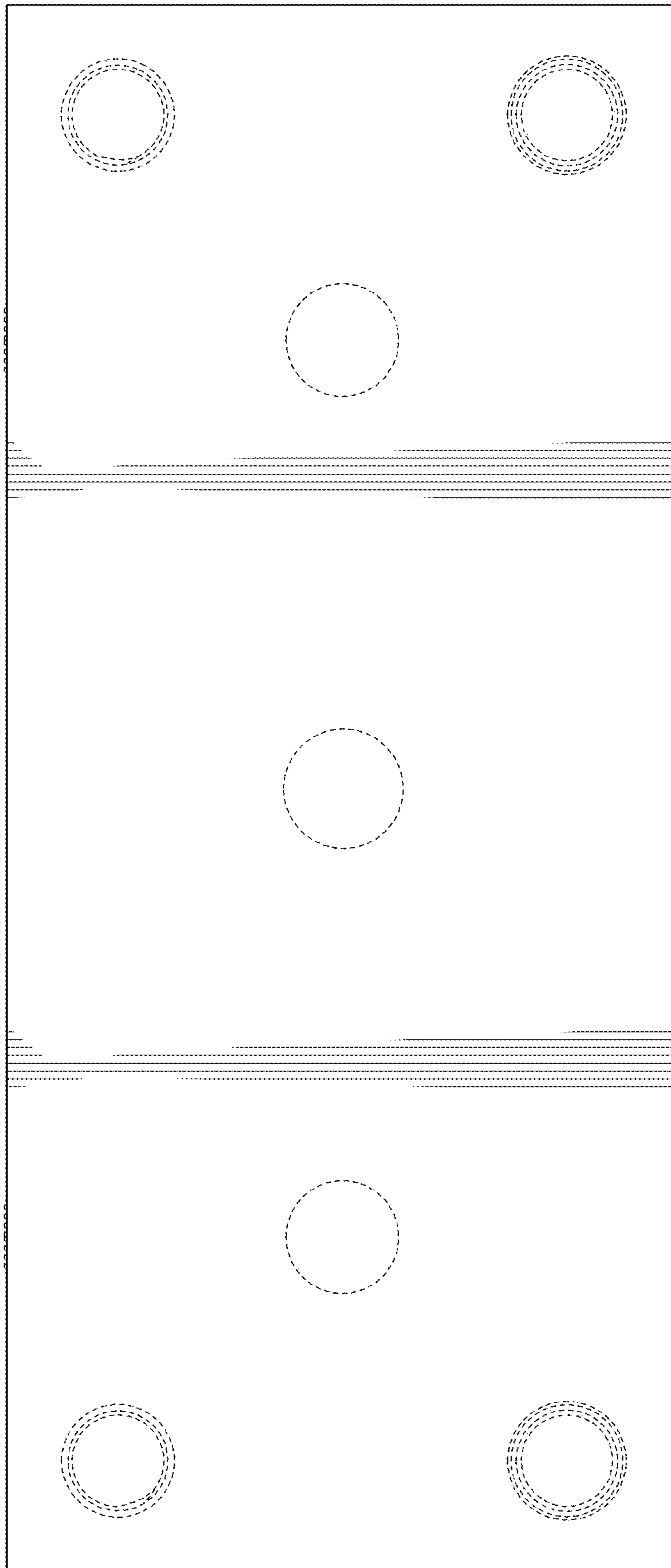
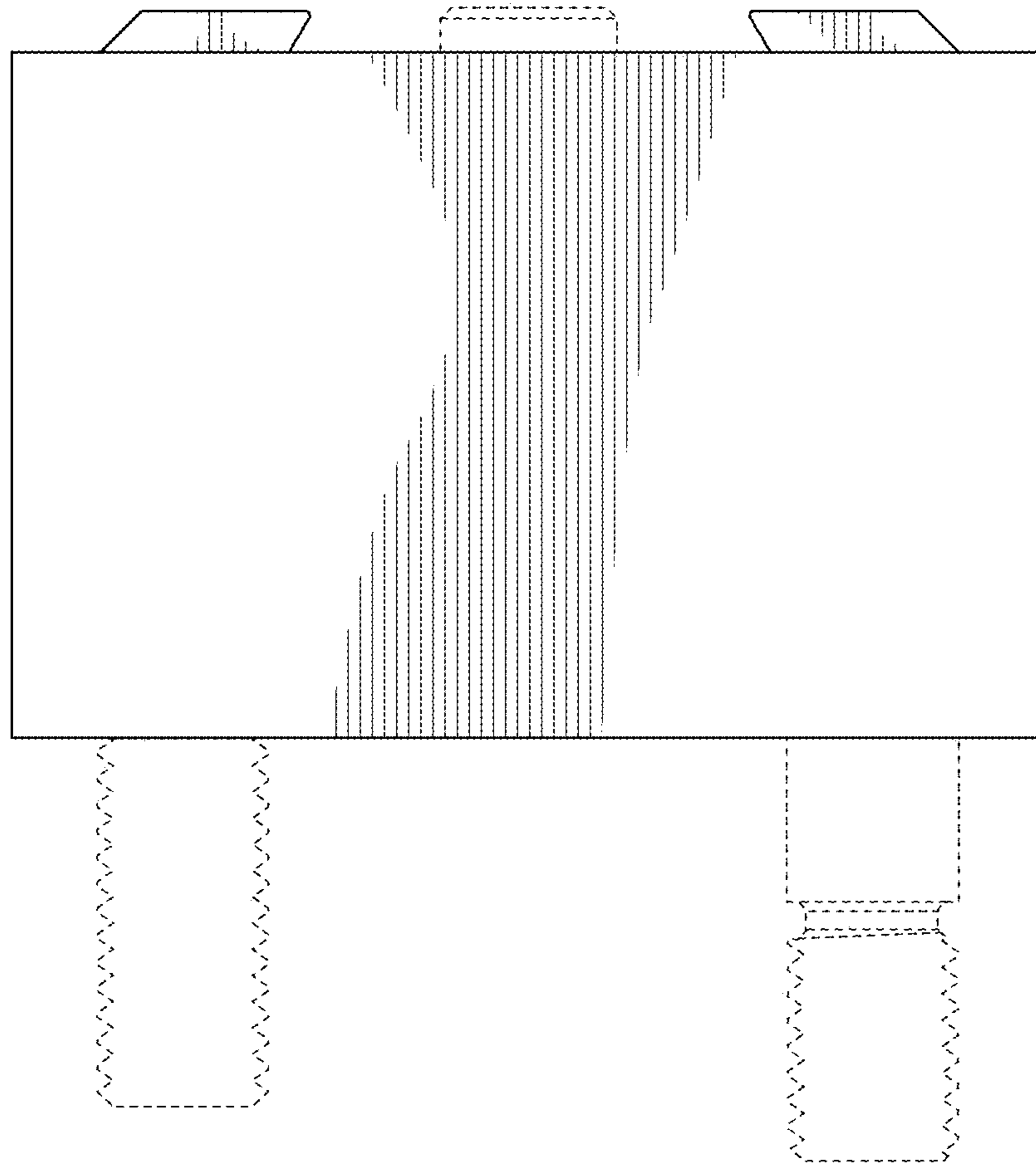
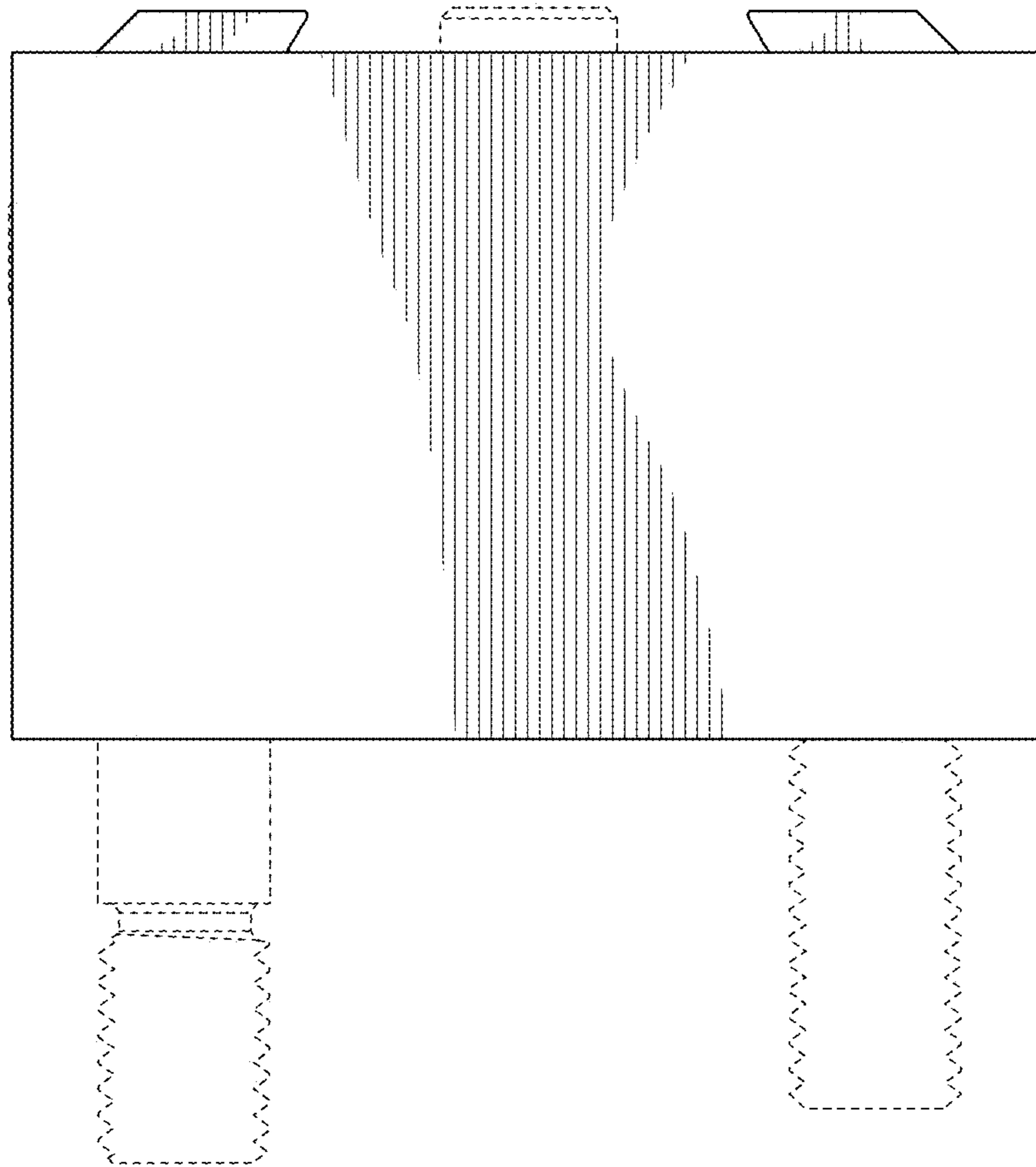


FIG. 6





**FIG. 7**



**FIG. 8**