



US00D871882S

(12) **United States Design Patent**
Orikawa

(10) **Patent No.:** **US D871,882 S**
(45) **Date of Patent:** **** Jan. 7, 2020**

- (54) **HOT STICK**
- (71) Applicant: **NAGAKI SEIKI CO., LTD.**, Daito-shi, Osaka (JP)
- (72) Inventor: **Tomohiro Orikawa**, Aomori (JP)
- (73) Assignee: **NAGAKI SEIKI CO., LTD.**, Daito-Shi, Osaka (JP)
- (**) Term: **15 Years**
- (21) Appl. No.: **29/621,068**
- (22) Filed: **Oct. 4, 2017**

(30) **Foreign Application Priority Data**

Apr. 7, 2017 (JP) 2017-007482

- (51) **LOC (12) Cl.** **08-05**
- (52) **U.S. Cl.**
USPC **D8/72**
- (58) **Field of Classification Search**
USPC D8/71-73, 397-399, 59; 248/63, 72, 248/74.1, 689, 124.2; 294/174, 175, 210; D23/230, 262
CPC H01R 11/15; H01R 4/38; H01R 4/643; H02G 1/02; B25B 1/00; B25B 5/00
See application file for complete search history.

(56) **References Cited**

U.S. PATENT DOCUMENTS

- 3,624,592 A * 11/1971 Walter H01R 11/14 439/477
- 4,326,316 A * 4/1982 Dolenti A46B 13/02 15/23
- 4,726,263 A * 2/1988 Lake E05B 85/085 294/210
- 5,299,464 A * 4/1994 Bennett G01N 33/28 137/315.41
- 5,666,253 A * 9/1997 Whited F16P 1/02 174/5 R

- 6,450,557 B1 * 9/2002 Martinez A47F 13/06 294/210
- D615,840 S * 5/2010 Copper D8/72
- 7,721,459 B2 * 5/2010 Niles H02G 1/02 294/174
- 7,839,256 B2 * 11/2010 Bradford H01B 17/00 174/135
- 7,984,665 B1 * 7/2011 Robertson H02G 1/02 81/3.8
- 8,328,257 B1 * 12/2012 La Coste B63B 21/54 114/230.25
- 8,469,423 B1 * 6/2013 Crowley, Jr. B25G 1/04 294/174
- 8,806,694 B2 * 8/2014 Davis A46B 9/028 15/104.04

(Continued)

Primary Examiner — David G Muller

(74) *Attorney, Agent, or Firm* — Rabin & Berdo, P.C.

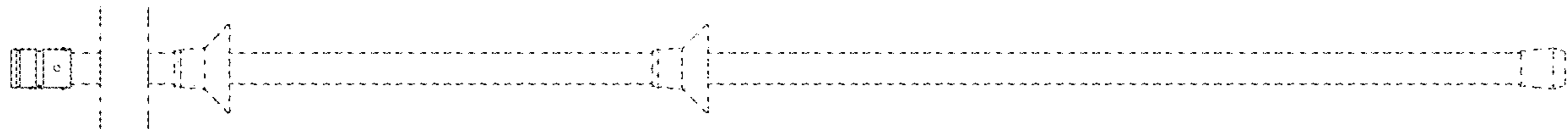
(57) **CLAIM**

The ornamental design for a hot stick, as shown and described.

DESCRIPTION

FIG. 1 is a front view of the hot stick;
 FIG. 2 is a rear view thereof;
 FIG. 3 is a top view thereof;
 FIG. 4 is a bottom view thereof;
 FIG. 5 is a right side view thereof;
 FIG. 6 is a left side view thereof;
 FIG. 7 is a reduced front view thereof;
 FIG. 8 is an enlarged left side view thereof;
 FIG. 9 is a reduced perspective view thereof;
 FIG. 10 is an enlarged view of cross-sectional surface 10-10 in FIG. 7; and,
 FIG. 11 is an enlarged view of cross-sectional surface 11-11 in FIG. 9.
 The broken lines illustrate unclaimed subject matter and form no part of the claimed invention.

1 Claim, 5 Drawing Sheets



(56)

References Cited

U.S. PATENT DOCUMENTS

8,939,051 B1 * 1/2015 Lofley, Sr. F16B 7/1418
294/210
8,944,480 B2 * 2/2015 Nihra A63B 47/02
294/19.2
D732,362 S * 6/2015 Nagaki D8/52
9,347,976 B2 * 5/2016 Mason G01R 15/142
9,656,381 B2 * 5/2017 Niles B25G 3/12
10,122,101 B2 * 11/2018 Rahman H01R 11/15

* cited by examiner

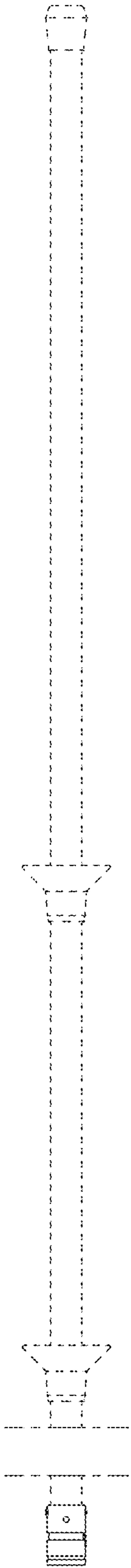


FIG. 1

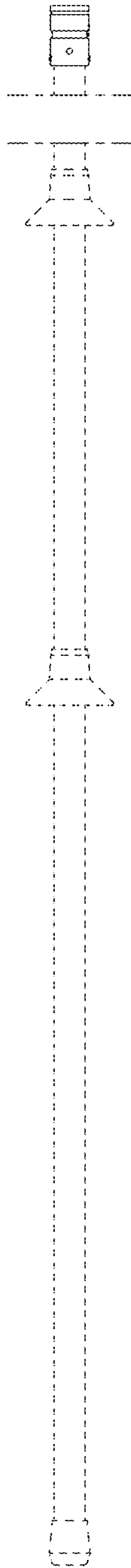


FIG. 2

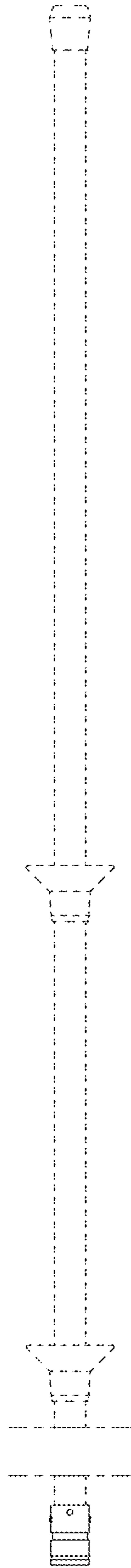


FIG. 3

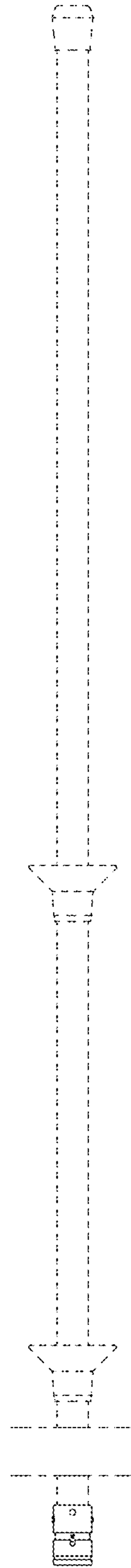


FIG. 4

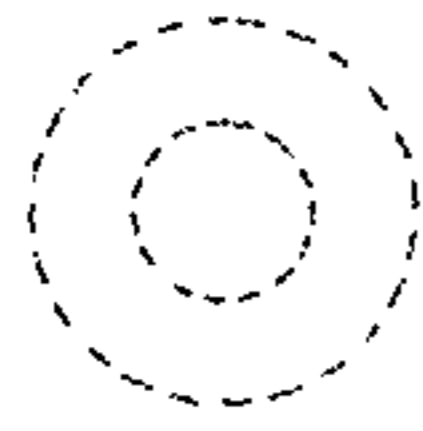


FIG. 5

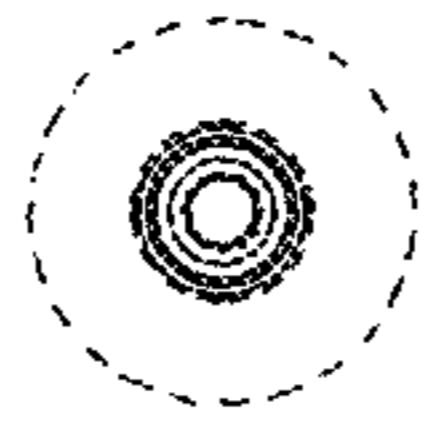


FIG. 6

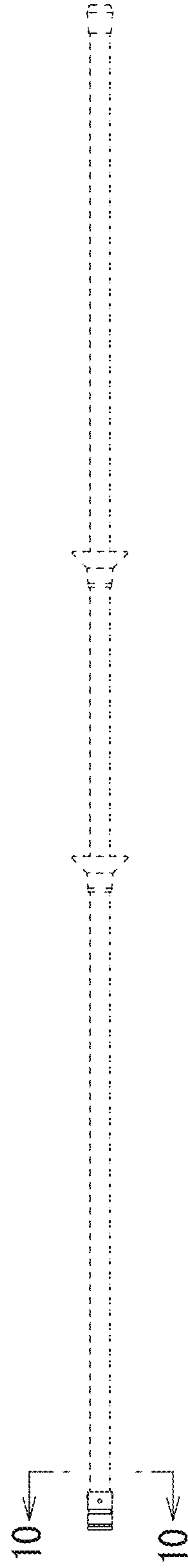


FIG. 7

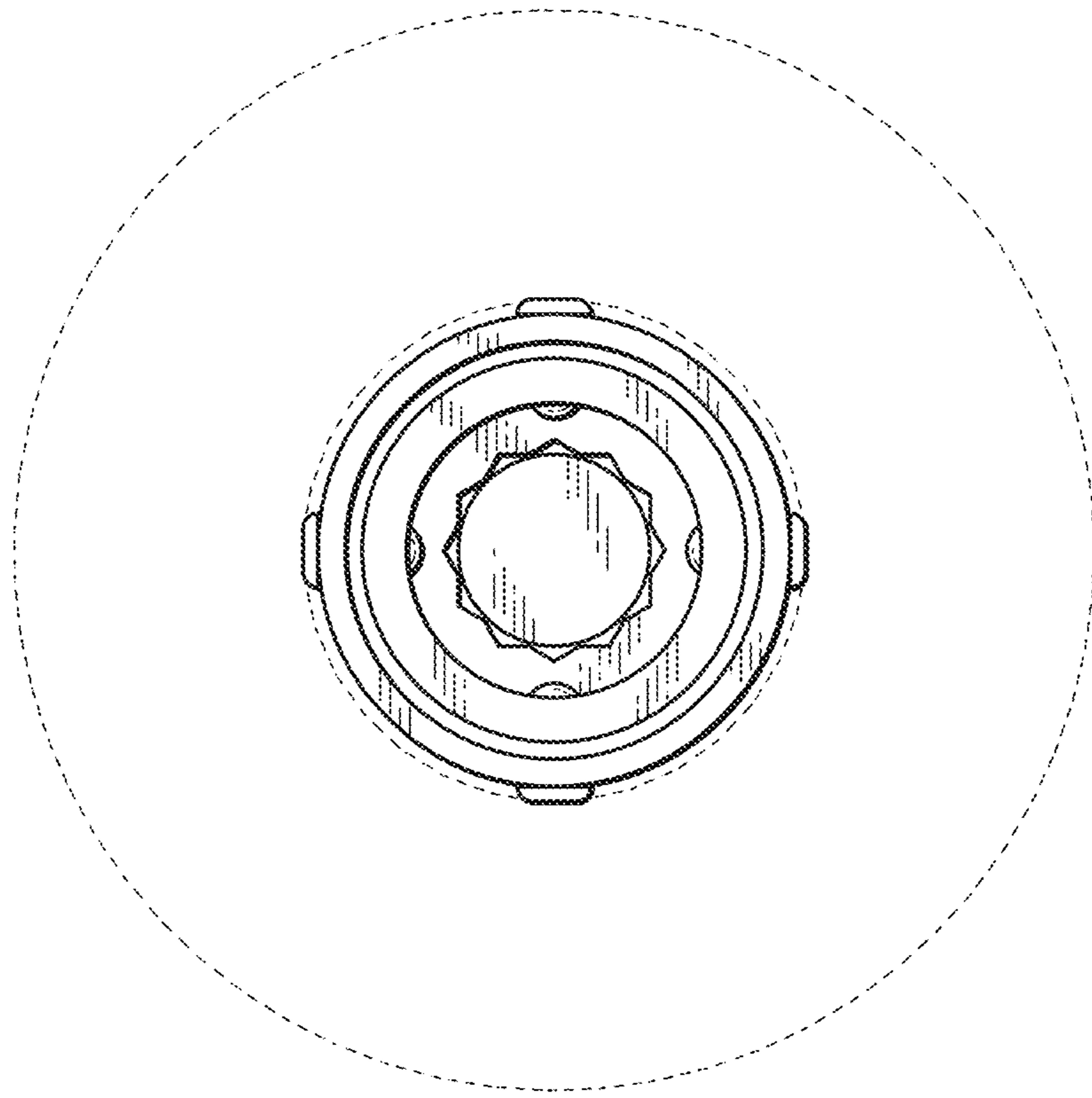


FIG. 8

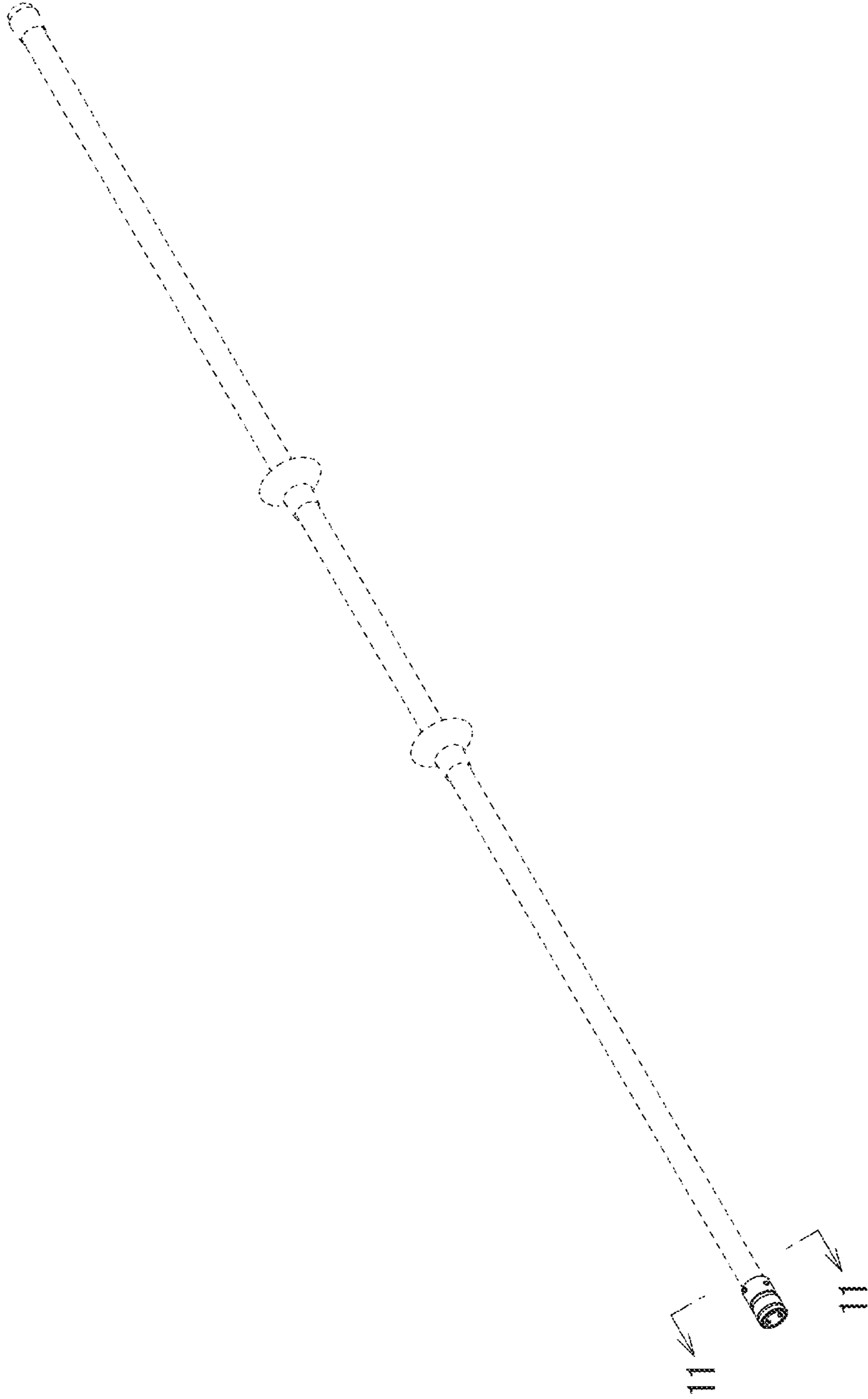


FIG. 9

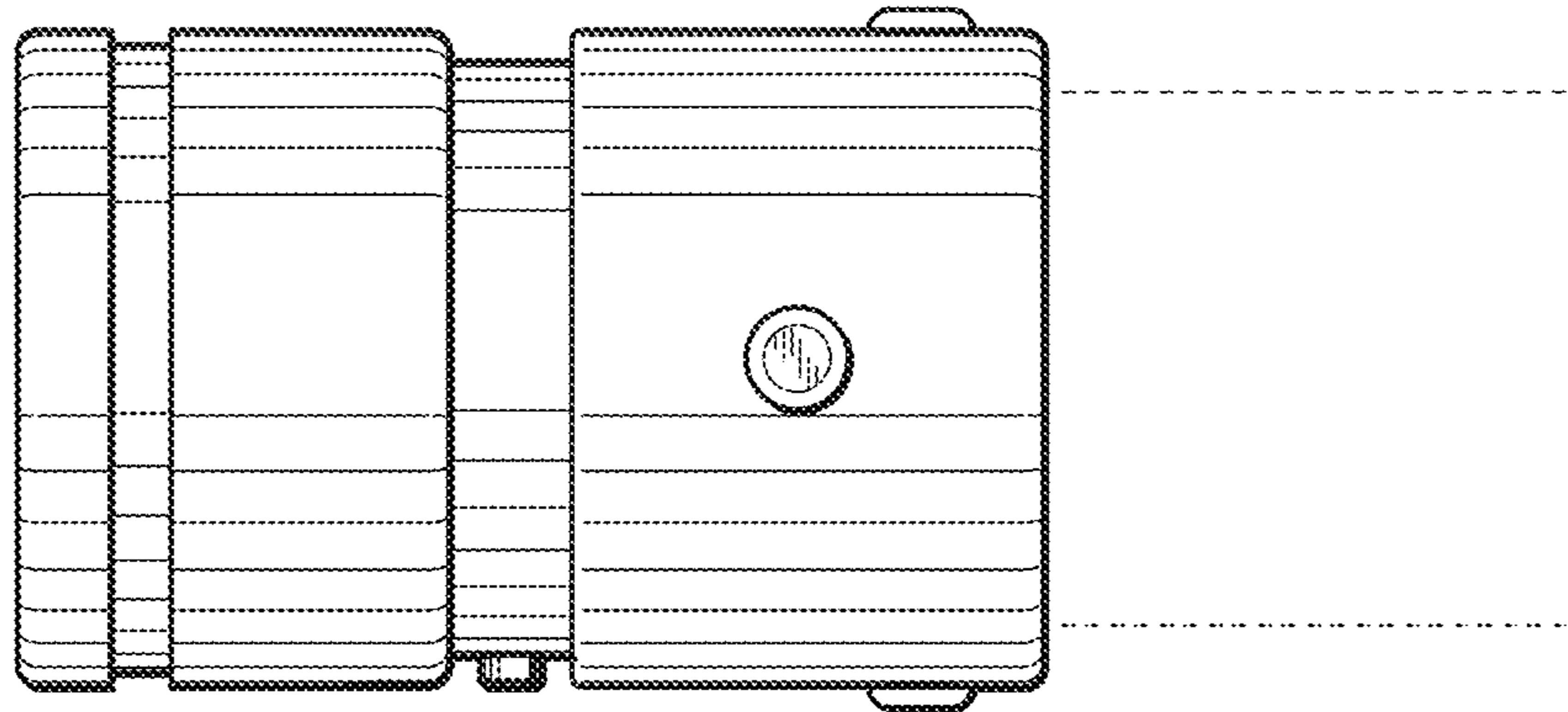


FIG. 10

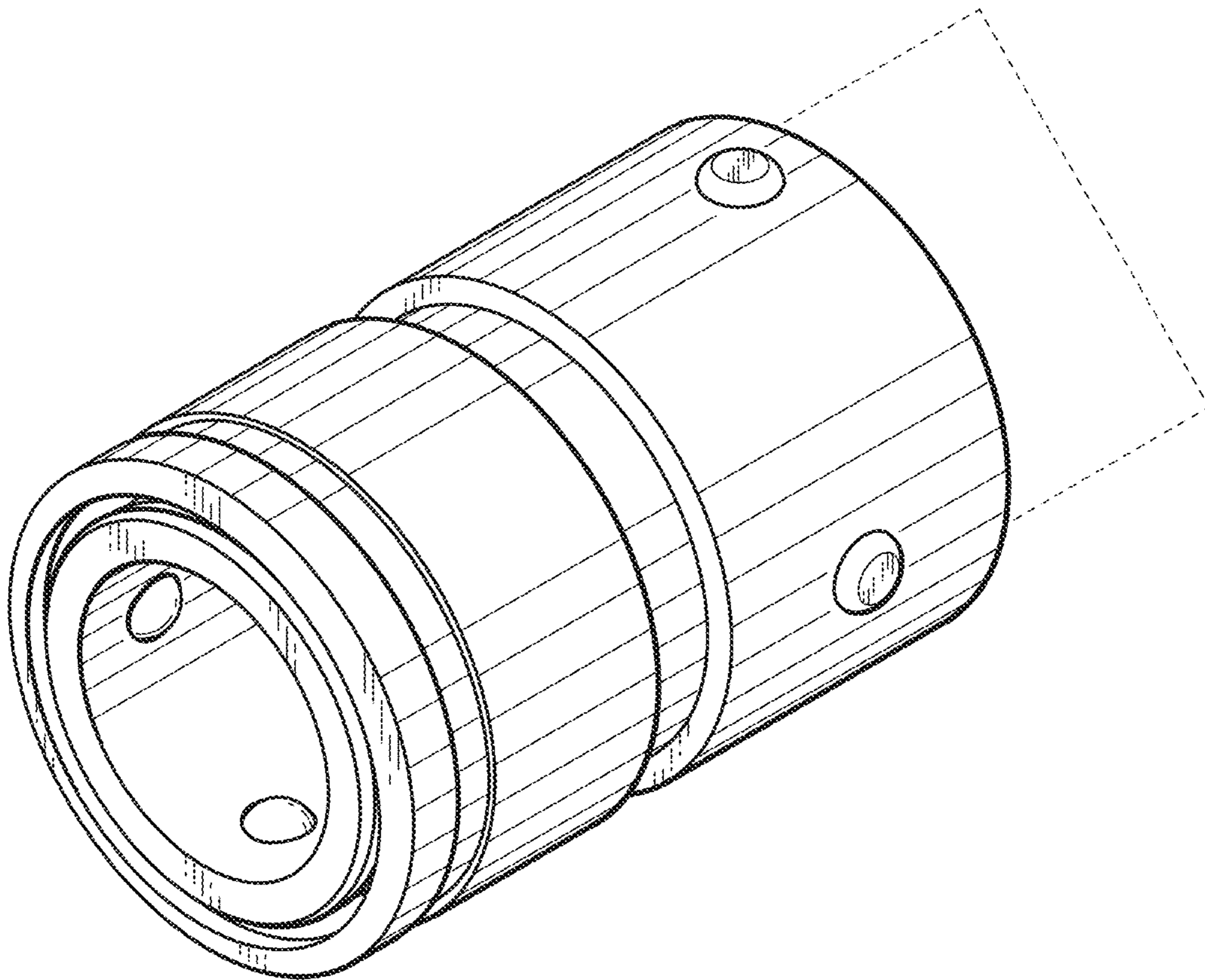


FIG. 11