



US00D871881S

(12) **United States Design Patent**
Zaugg et al.

(10) **Patent No.:** **US D871,881 S**
(45) **Date of Patent:** **** Jan. 7, 2020**

(54) **CHUCK HEAD ASSEMBLY**

(71) Applicant: **SCIES MINIATURES SÀRL**, Vallorbe (CH)

(72) Inventors: **Markus Zaugg**, St-Prex (CH); **Roger Favre**, Vallorbe (CH)

(**) Term: **15 Years**

(21) Appl. No.: **35/506,274**

(22) Filed: **Jul. 3, 2018**

(80) **Hague Agreement Data**

Int. Filing Date: **Jul. 3, 2018**

Int. Reg. No.: **DM/102763**

Int. Reg. Date: **Jul. 3, 2018**

Int. Reg. Pub. Date: **Jan. 4, 2019**

(51) **LOC (12) Cl.** **08-05**

(52) **U.S. Cl.**
USPC **D8/71**

(58) **Field of Classification Search**
USPC D8/70, 71, 64; D15/133, 140, 130
(Continued)

(56) **References Cited**

U.S. PATENT DOCUMENTS

D152,065 S * 12/1948 Crowley D3/210
D267,095 S * 11/1982 Cook D15/133

(Continued)

Primary Examiner — Eliza Z Bennett-Hattan

(57) **CLAIM**

We claim, the ornamental design for a chuck head assembly, as shown and described.

DESCRIPTION

The file of this patent contains at least one drawing/photograph executed in color. Copies of this patent with color

drawing(s)/photograph(s) will be provided by the Office upon request and payment of the necessary fee.

1.2. Chuck head assembly

1.1 : Perspective

1.2 : Perspective

1.3 : Front

1.4 : Back

1.5 : Left

1.6 : Right

1.7 : Top

1.8 : Bottom

1.9 : Perspective

1.10 : Back

1.11 : Front

1.12 : Left

1.13 : Right

1.14 : Bottom

1.15 : Top

2.1 : Perspective

2.2 : Perspective

2.3 : Front

2.4 : Back

2.5 : Left

2.6 : Right

2.7 : Top

2.8 : Bottom

2.9 : Perspective

2.10 : Back

2.11 : Front

2.12 : Left

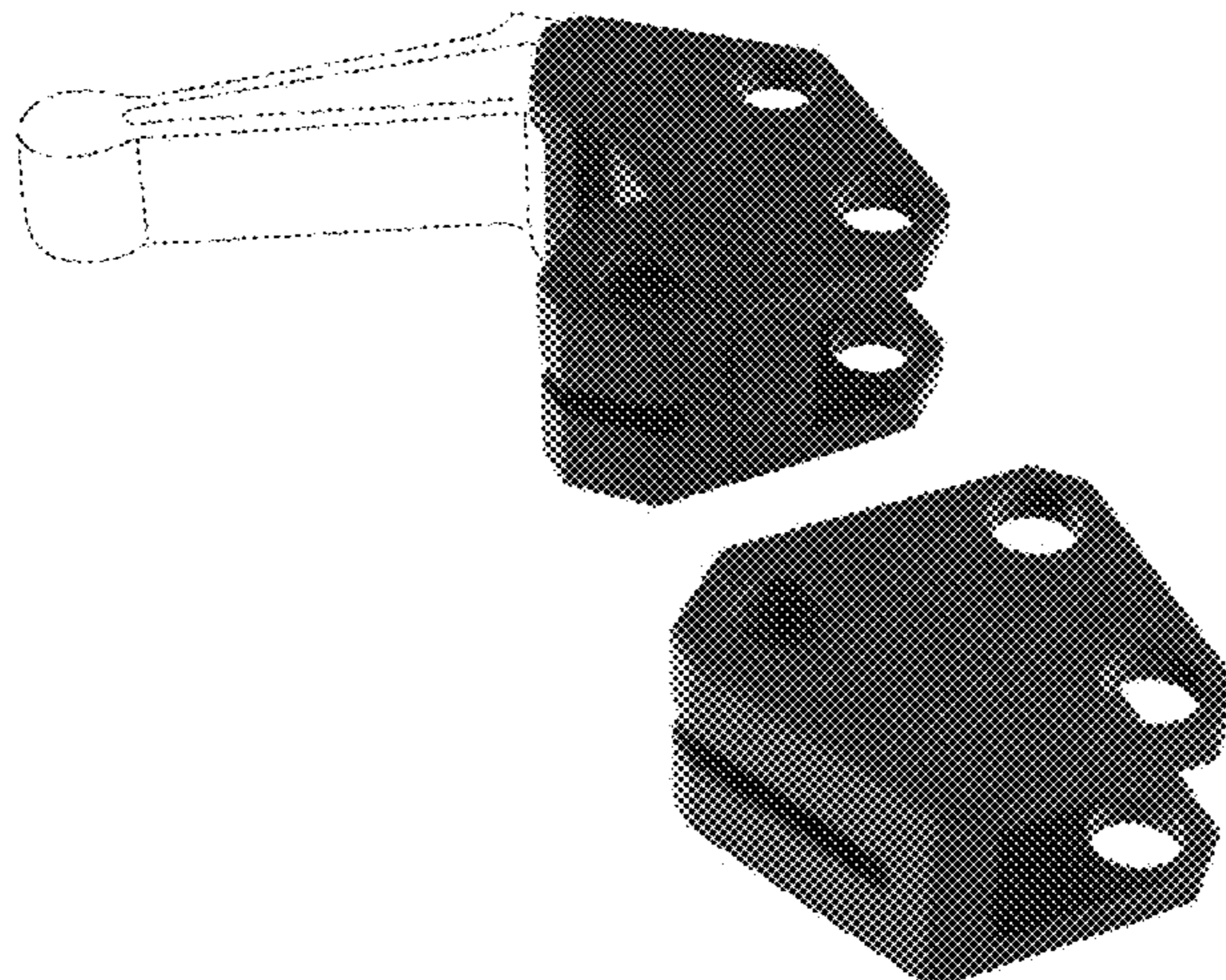
2.13 : Right

2.14 : Bottom

2.15 : Top

Parts indicated in long dash-dot lines are not part of the claimed designs; design 2 is a colour embodiment of the same design as claimed in figs 1.1 to 1.15; reproductions 1.1 and 2.1 show the chuck head assembly which is composed of upper and lower chuck heads; reproductions 1.2 to 1.8 and 2.2 to 2.8 show the upper chuck head, respectively; reproductions 1.9 to 1.15 and 2.9 to 2.15 show the lower chuck head, respectively.

1 Claim, 30 Drawing Sheets
(15 of 30 Drawing Sheet(s) Filed in Color)



(58) **Field of Classification Search**

CPC B23D 51/14
See application file for complete search history.

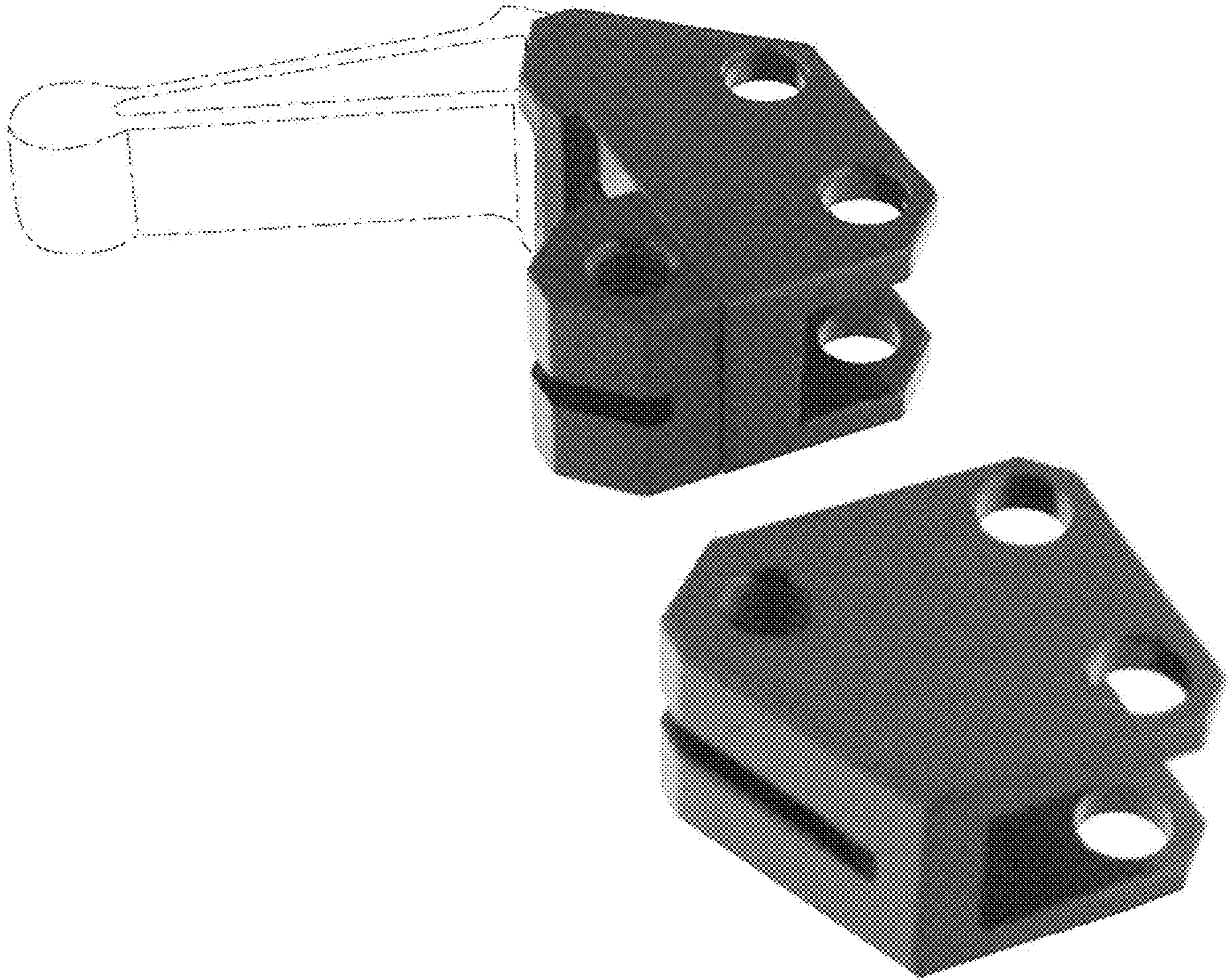
(56) **References Cited**

U.S. PATENT DOCUMENTS

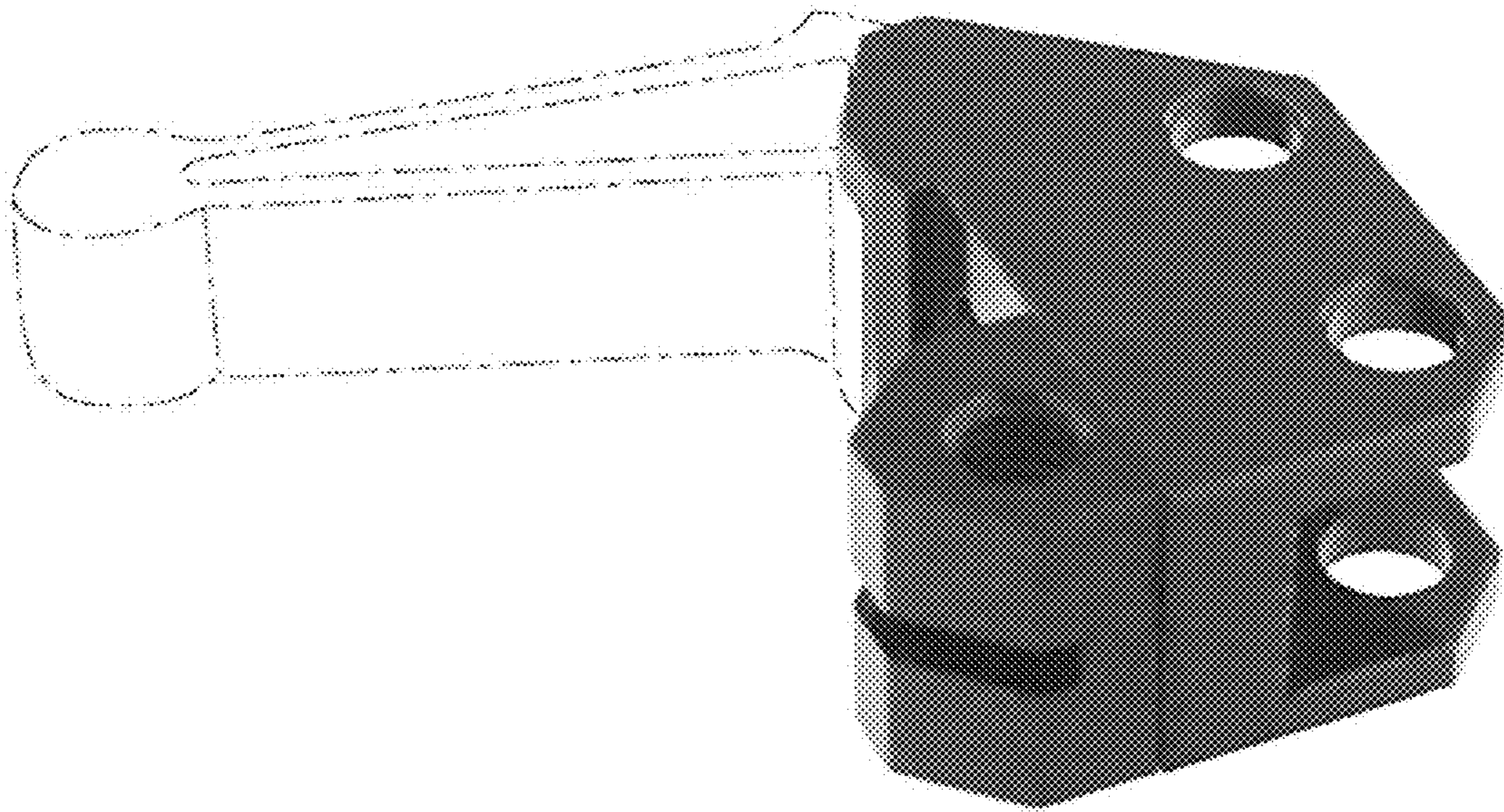
4,670,986 A * 6/1987 Chen B23D 51/14
30/392
5,016,512 A * 5/1991 Huang B23D 51/14
83/581.1
5,058,280 A * 10/1991 Pollak B23D 51/14
30/392
5,105,704 A * 4/1992 Chang B23D 51/14
83/662
D350,968 S * 9/1994 Chang D15/133
5,363,733 A * 11/1994 Baird B23D 51/14
403/DIG. 4
D374,676 S * 10/1996 Brickner, Jr. D15/133
D387,073 S * 12/1997 Mori D15/140
D388,446 S * 12/1997 Mori D15/140
D426,124 S * 6/2000 Kassalen D8/64

* cited by examiner

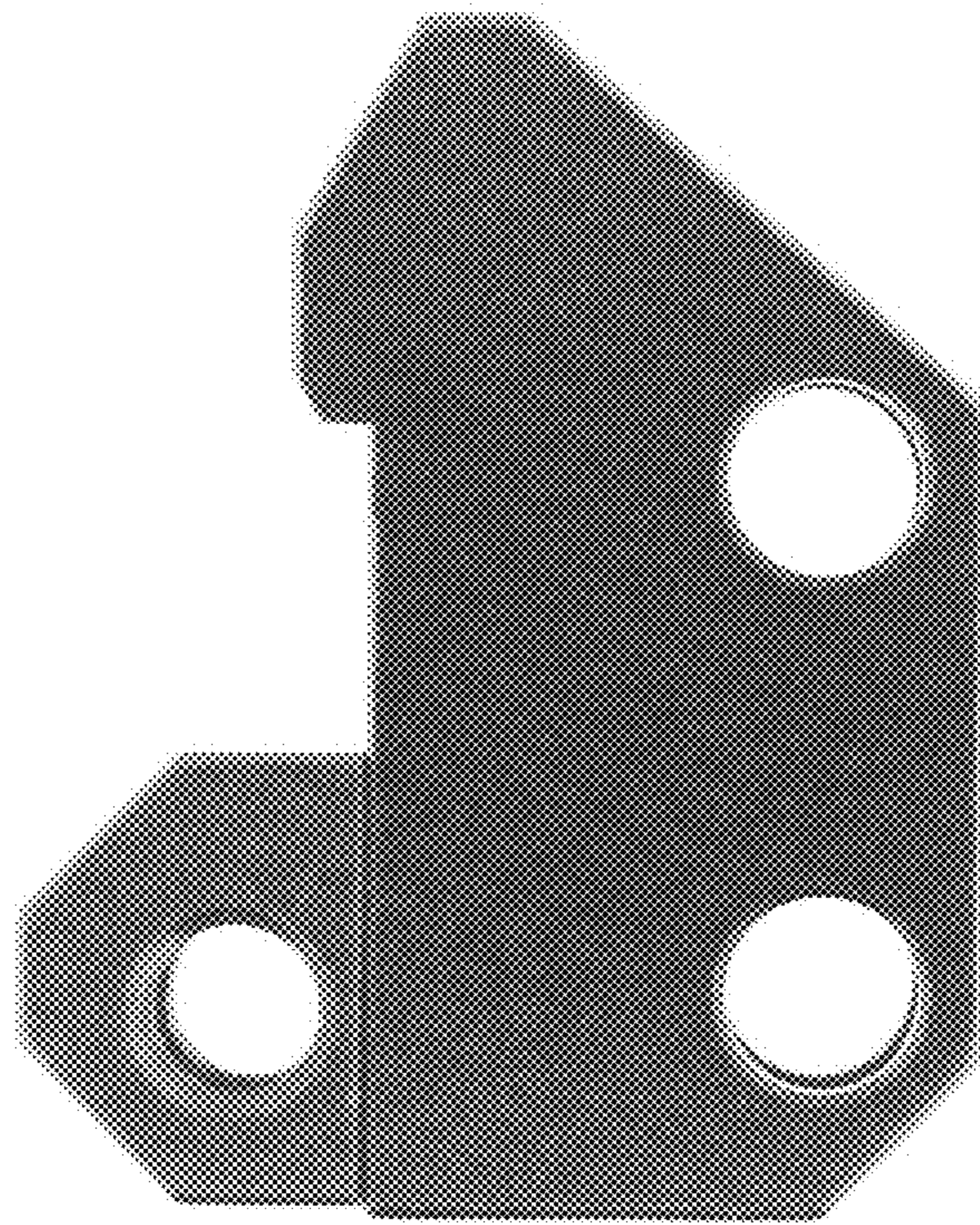
1.1



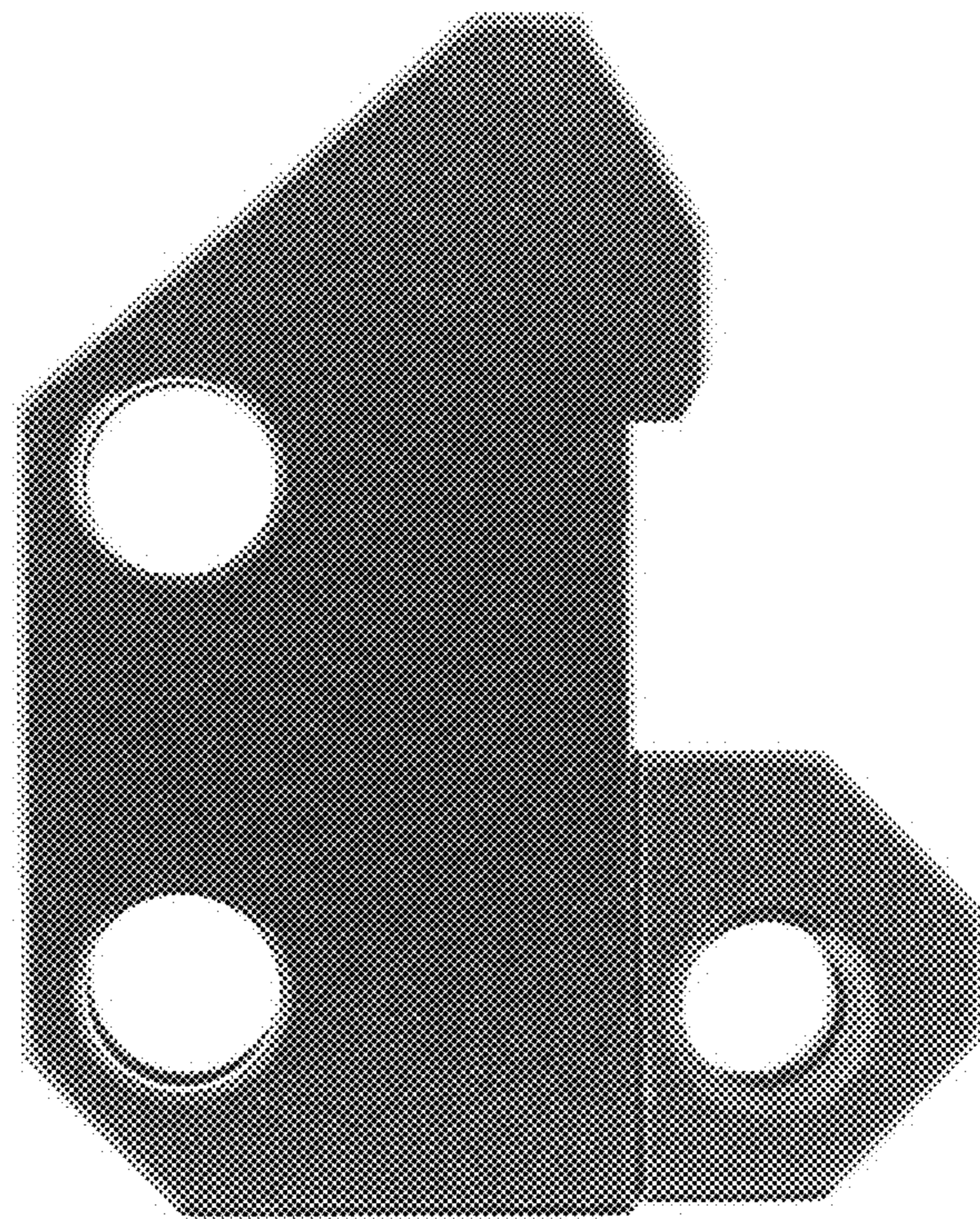
1.2



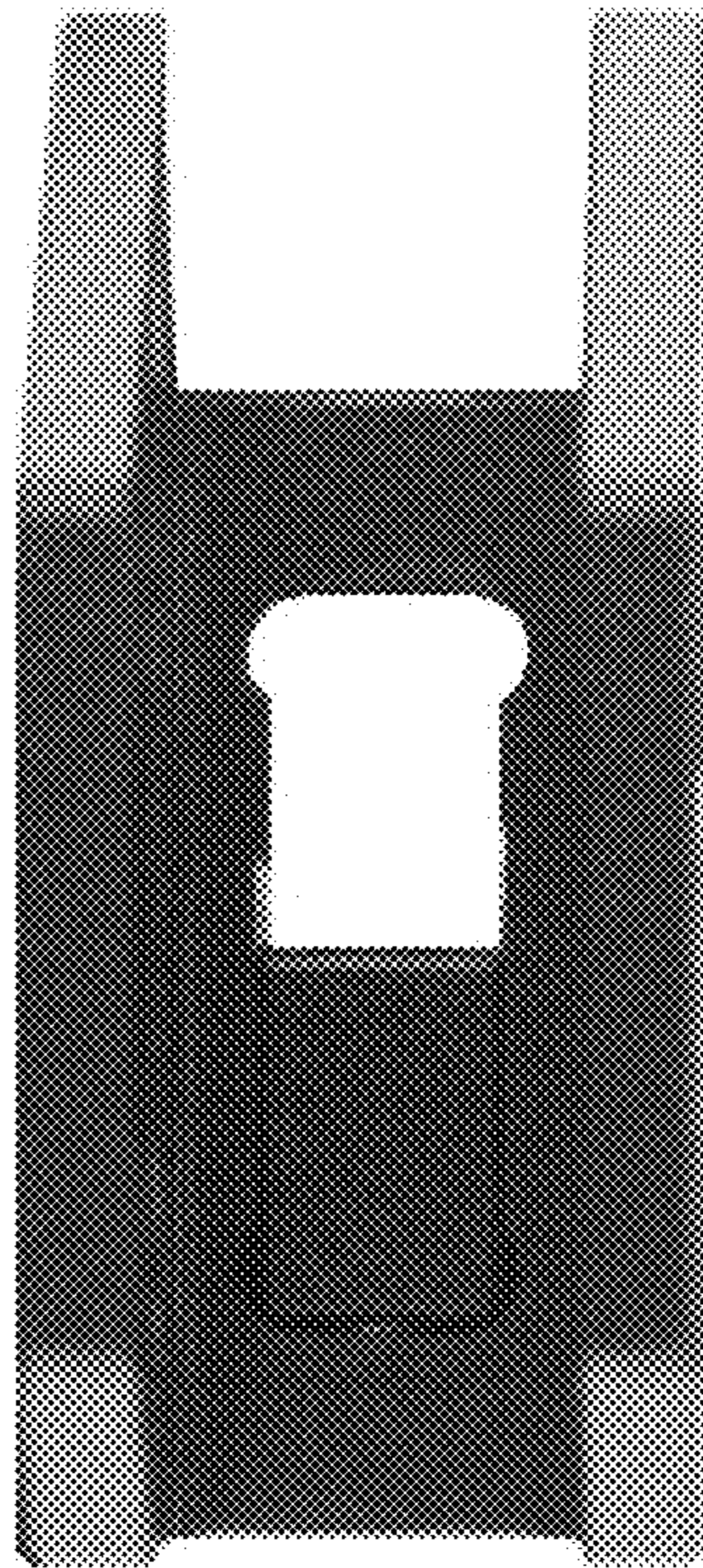
1.3



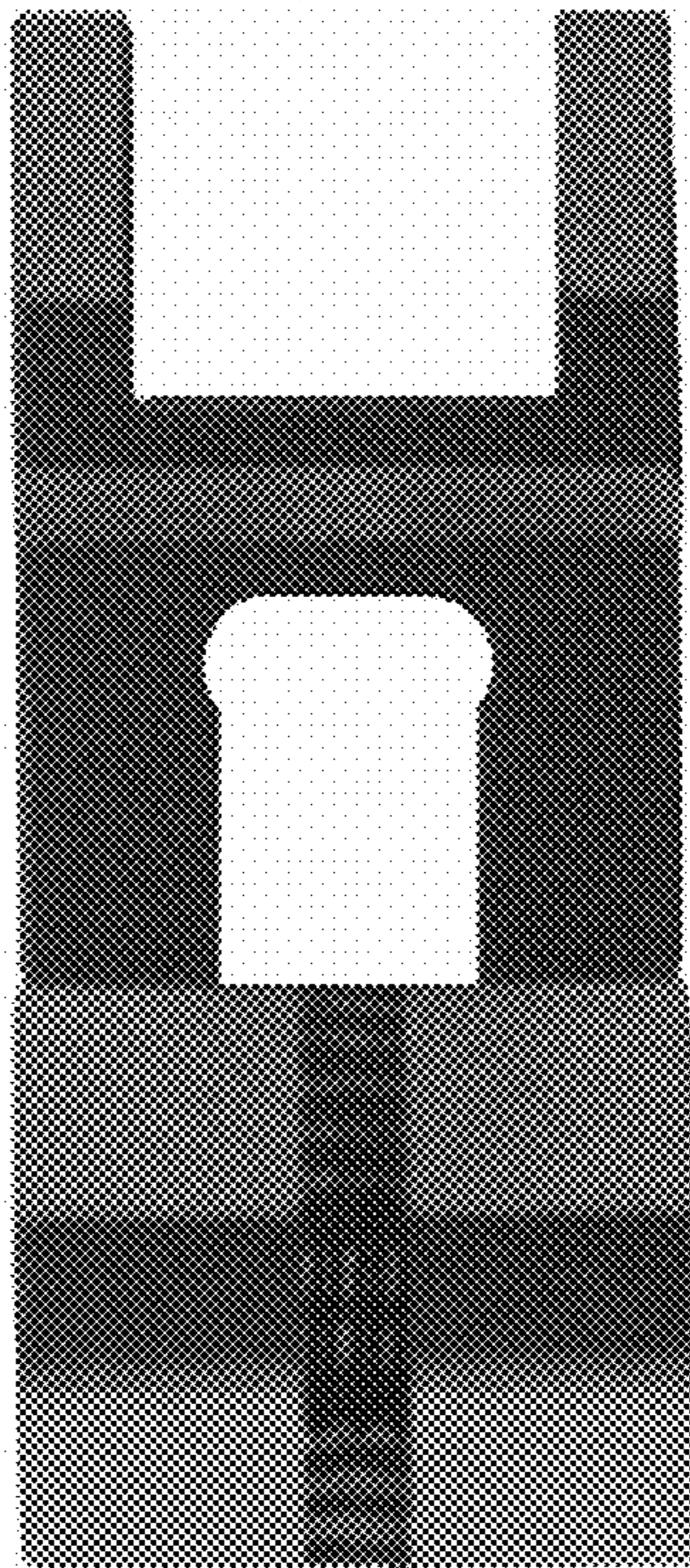
1.4



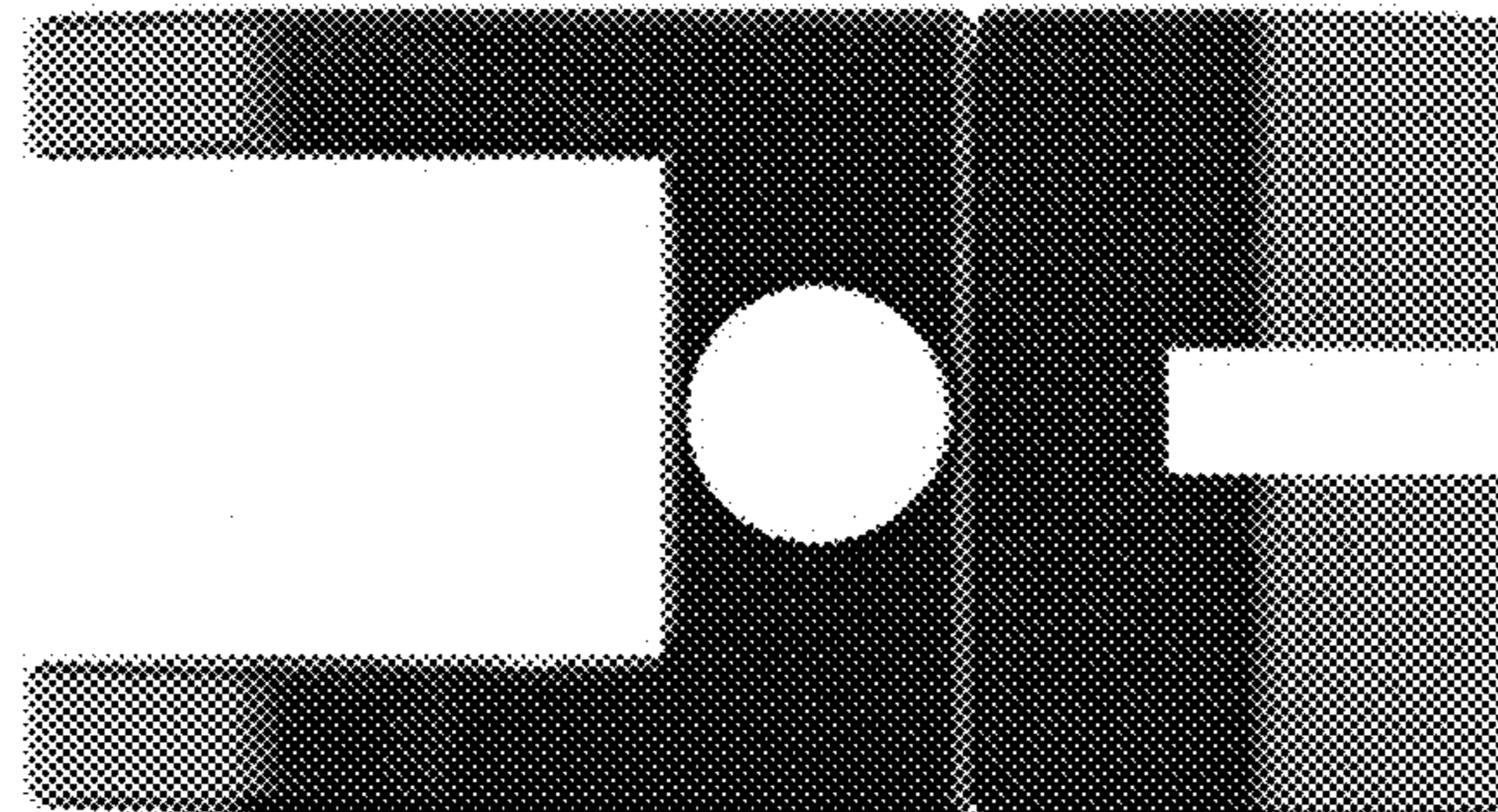
1.5



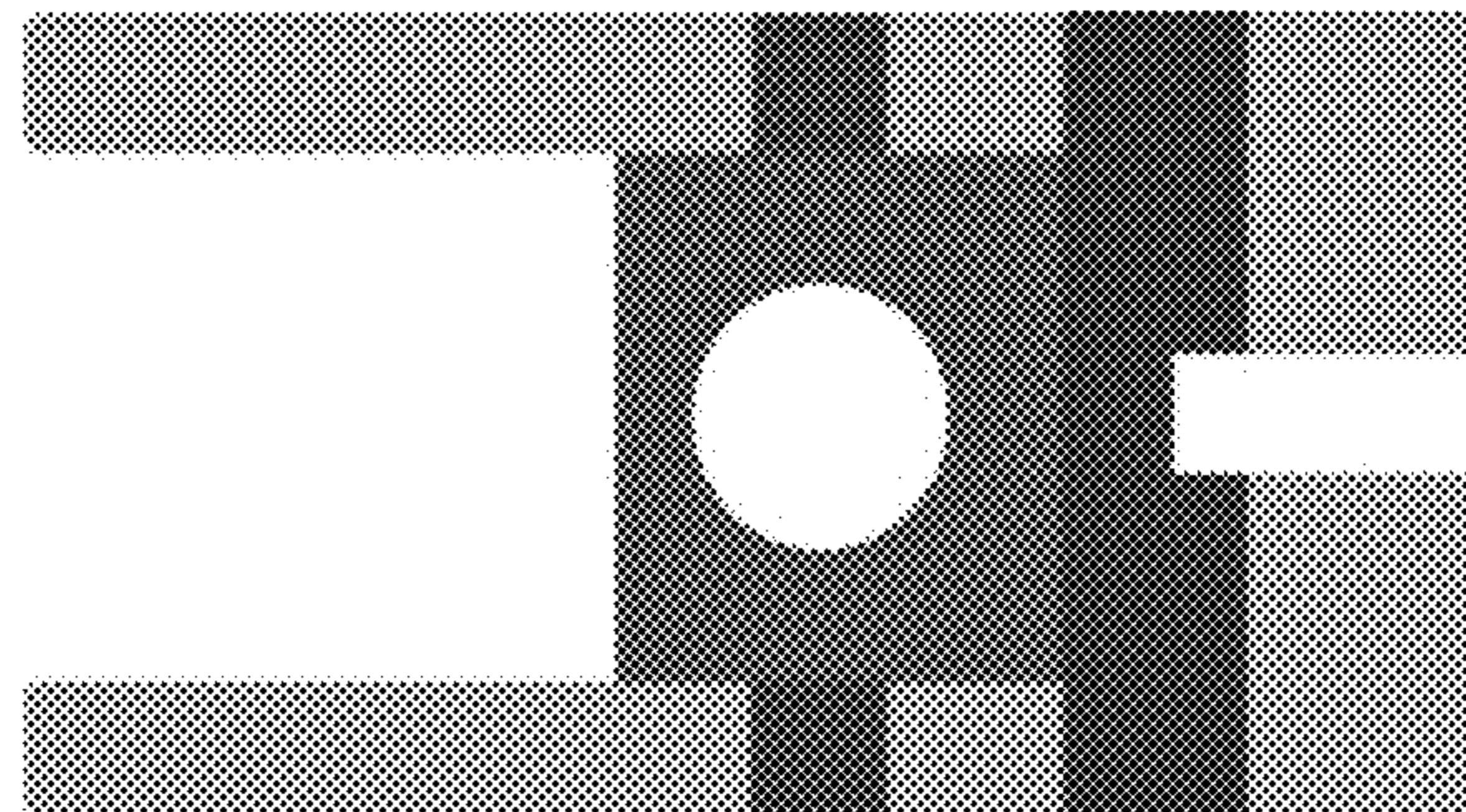
1.6



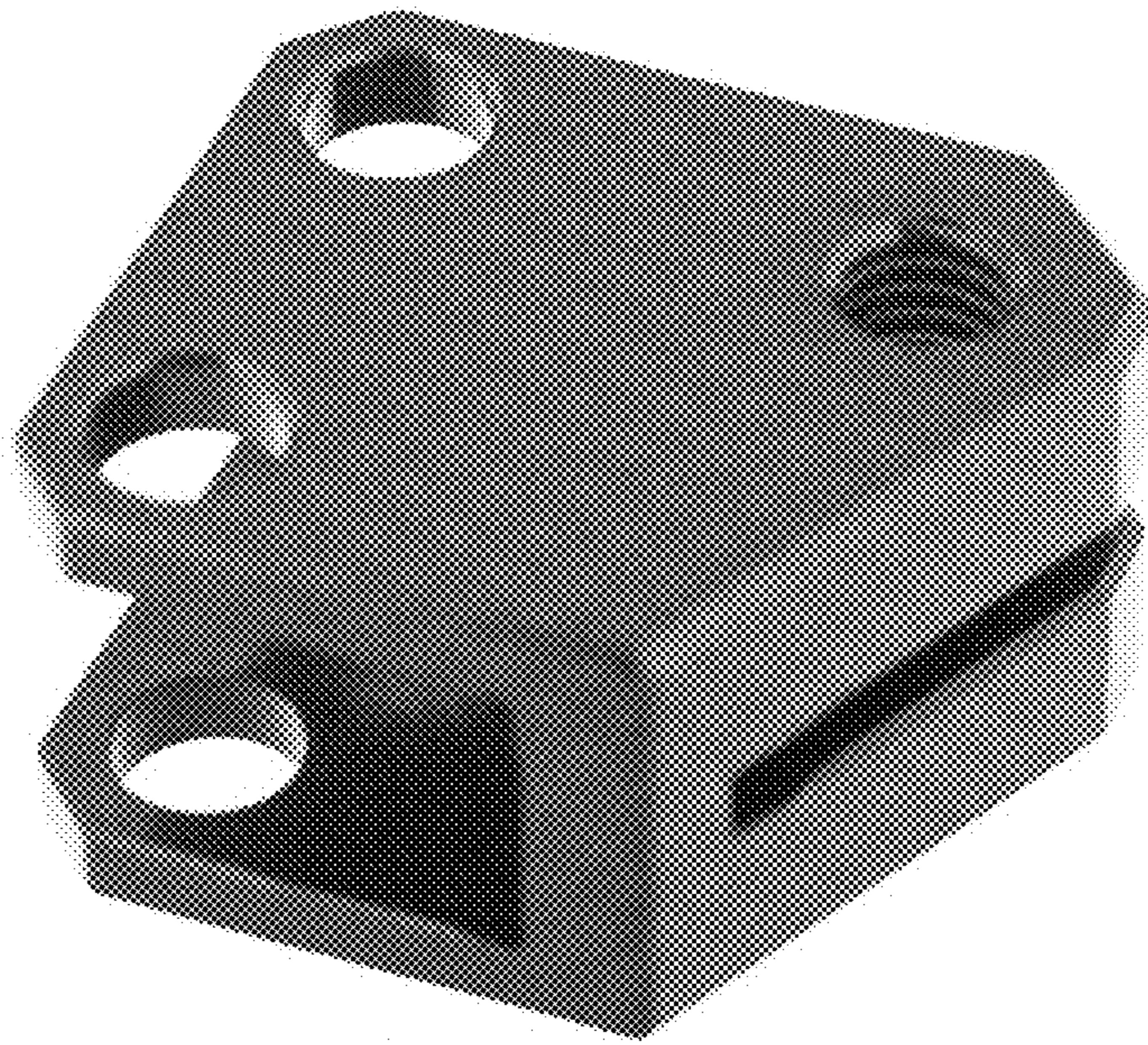
1.7



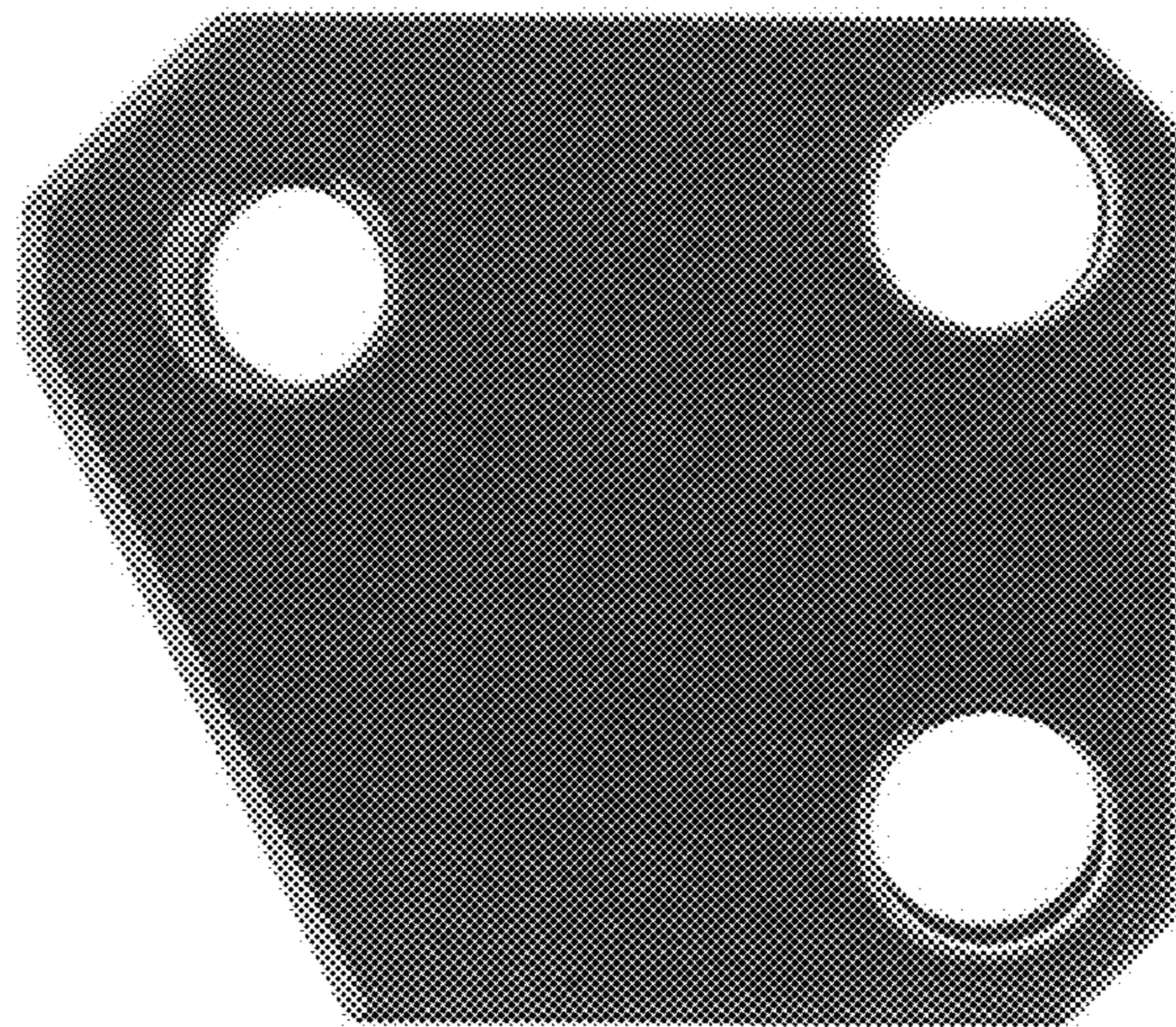
1.8



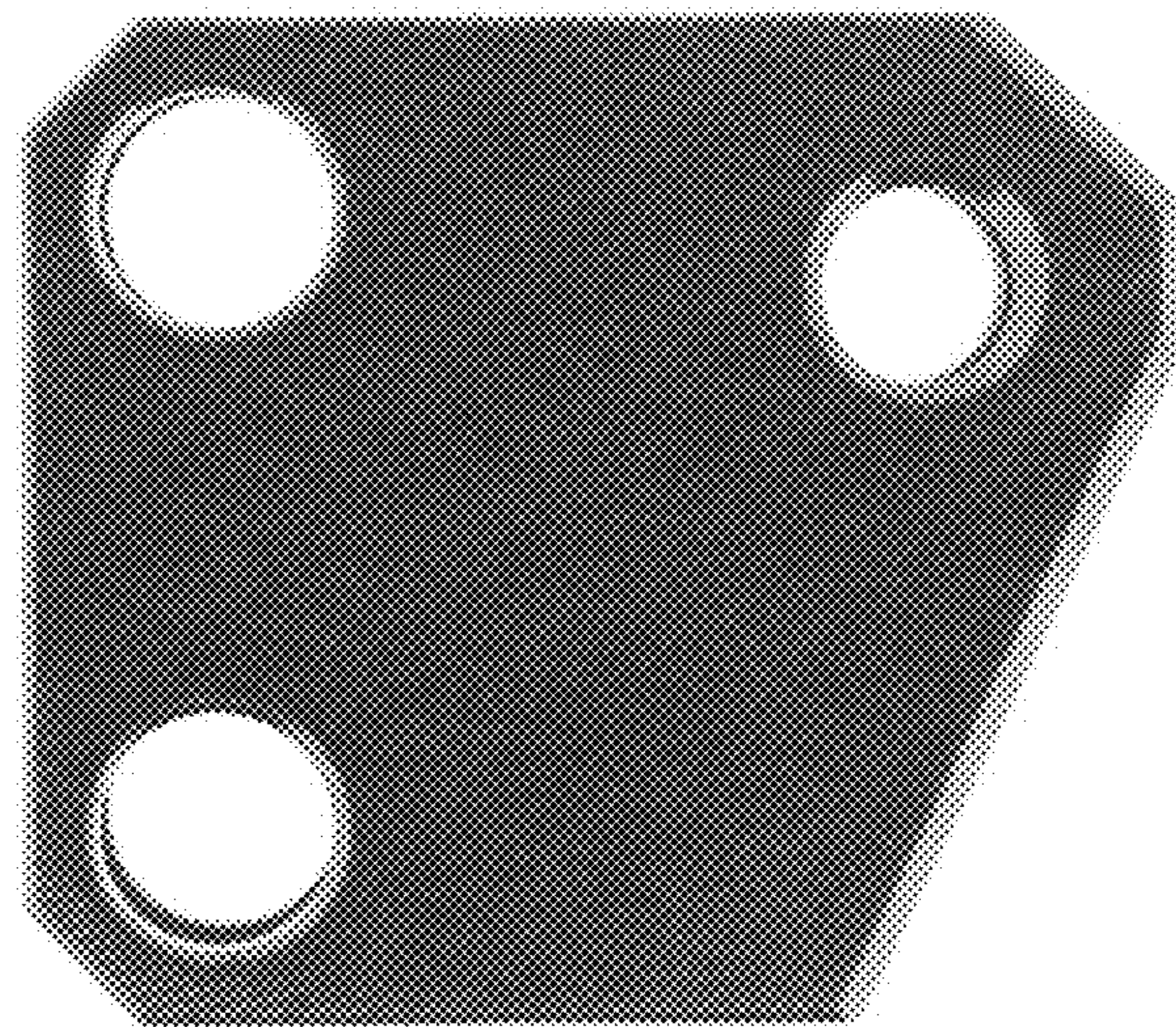
1.9



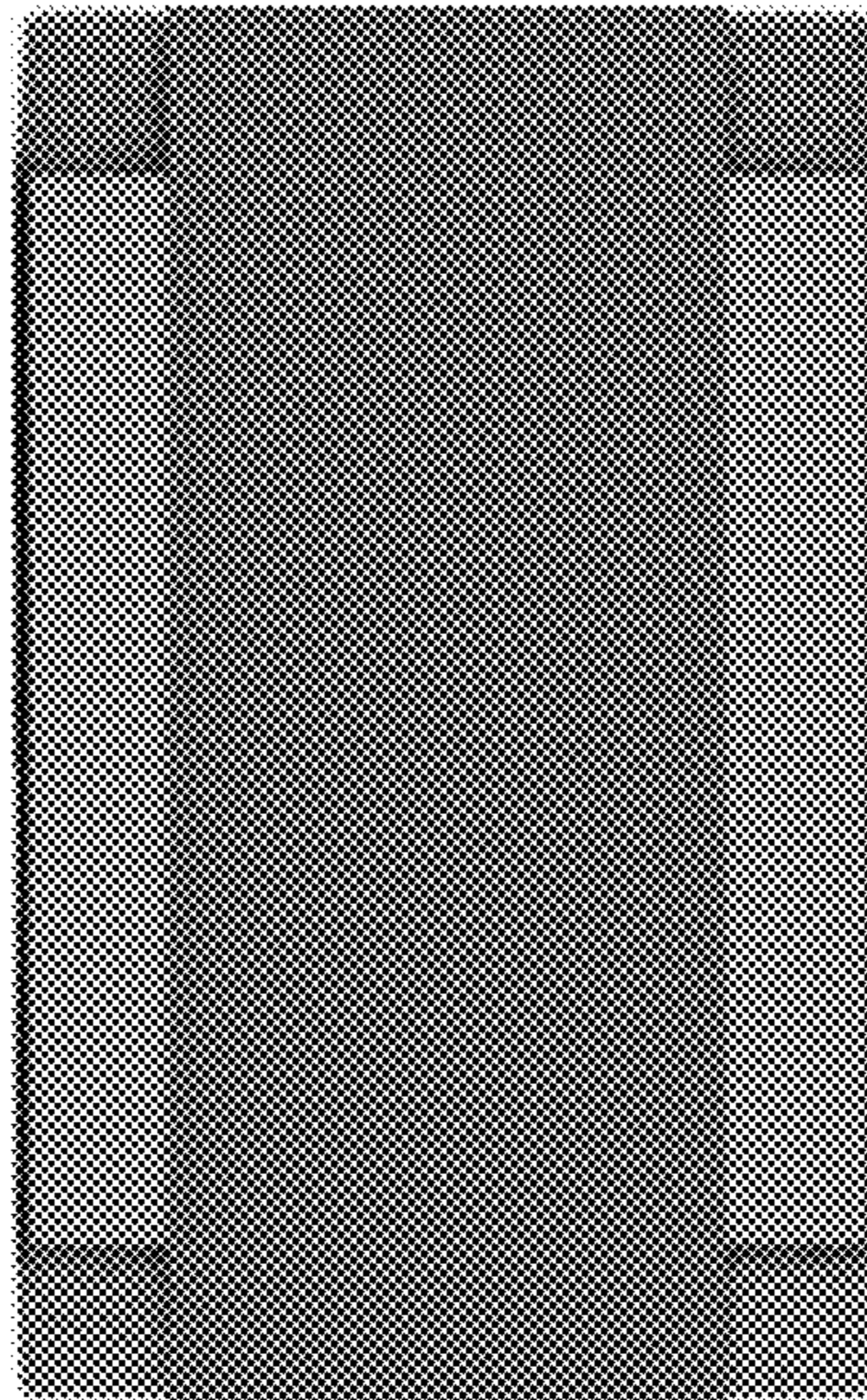
1.10



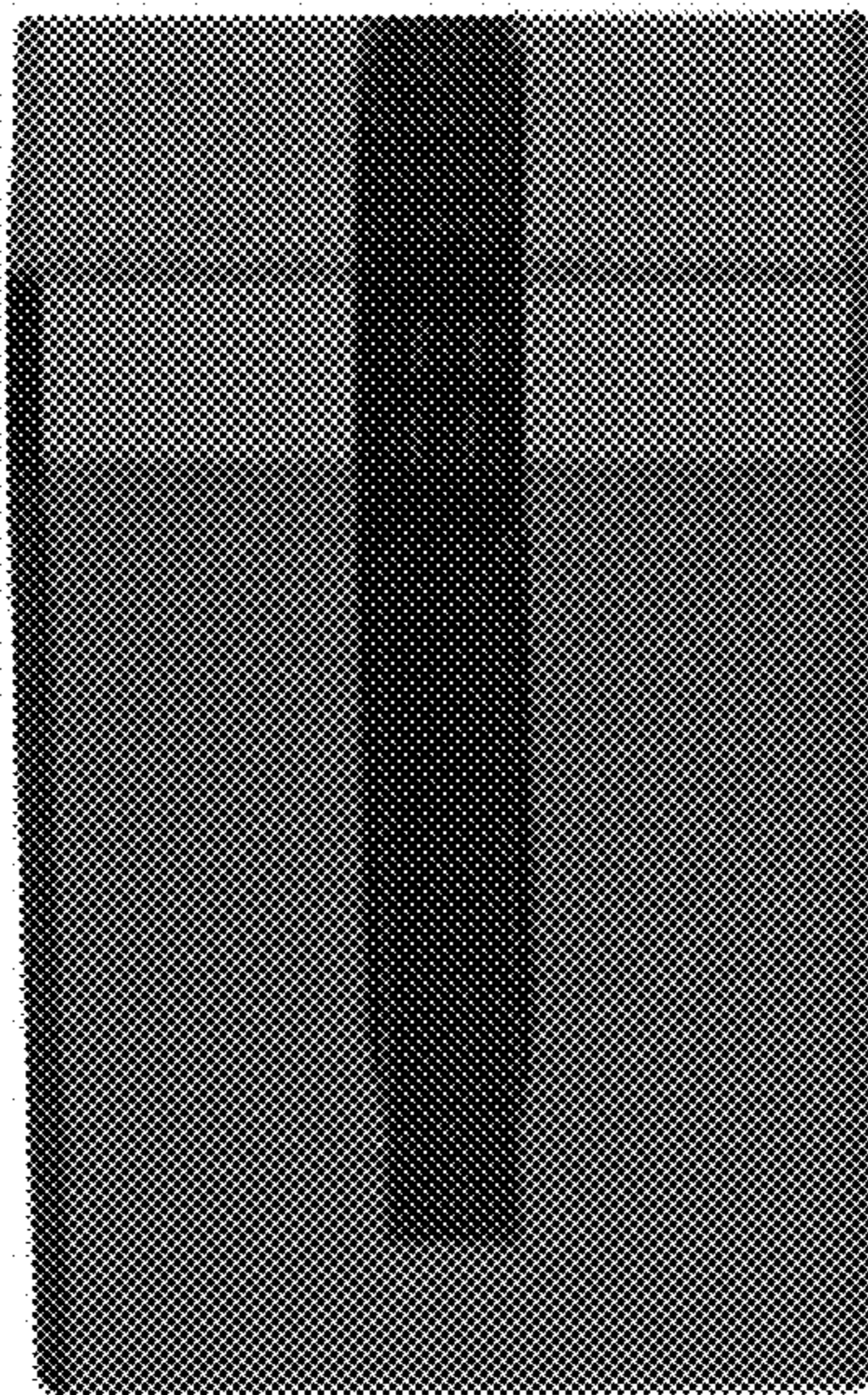
1.11



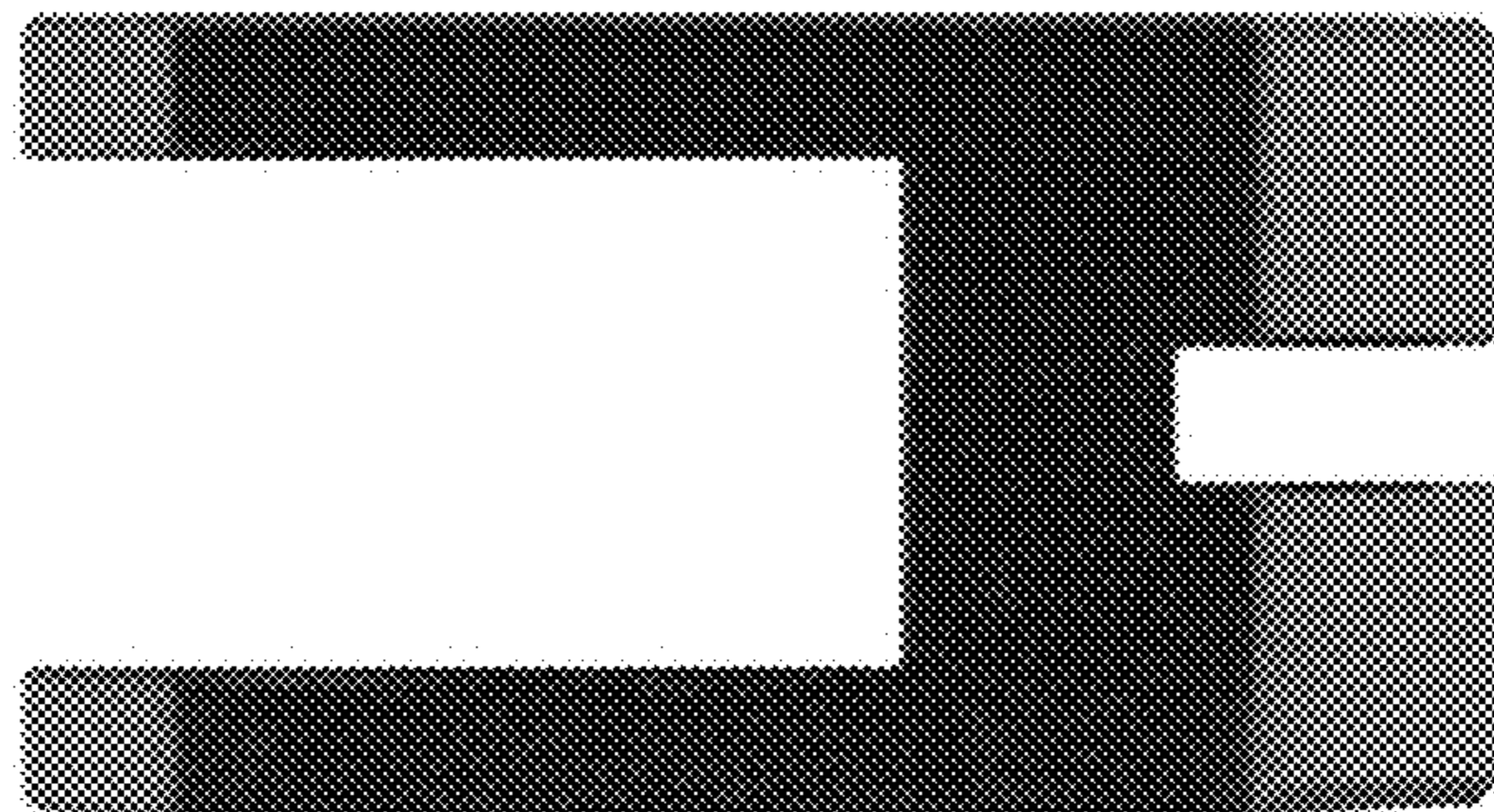
1.12



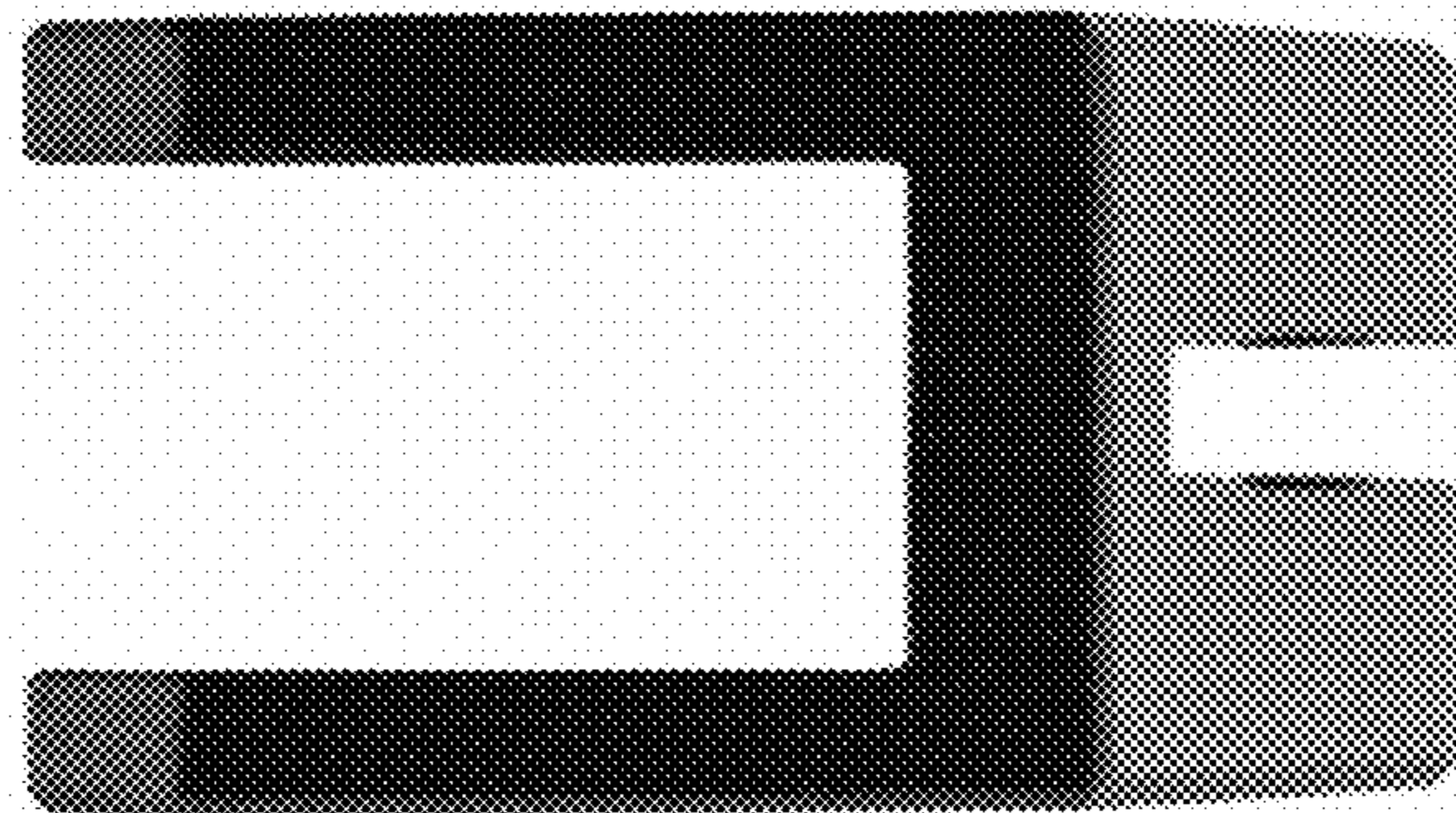
1.13



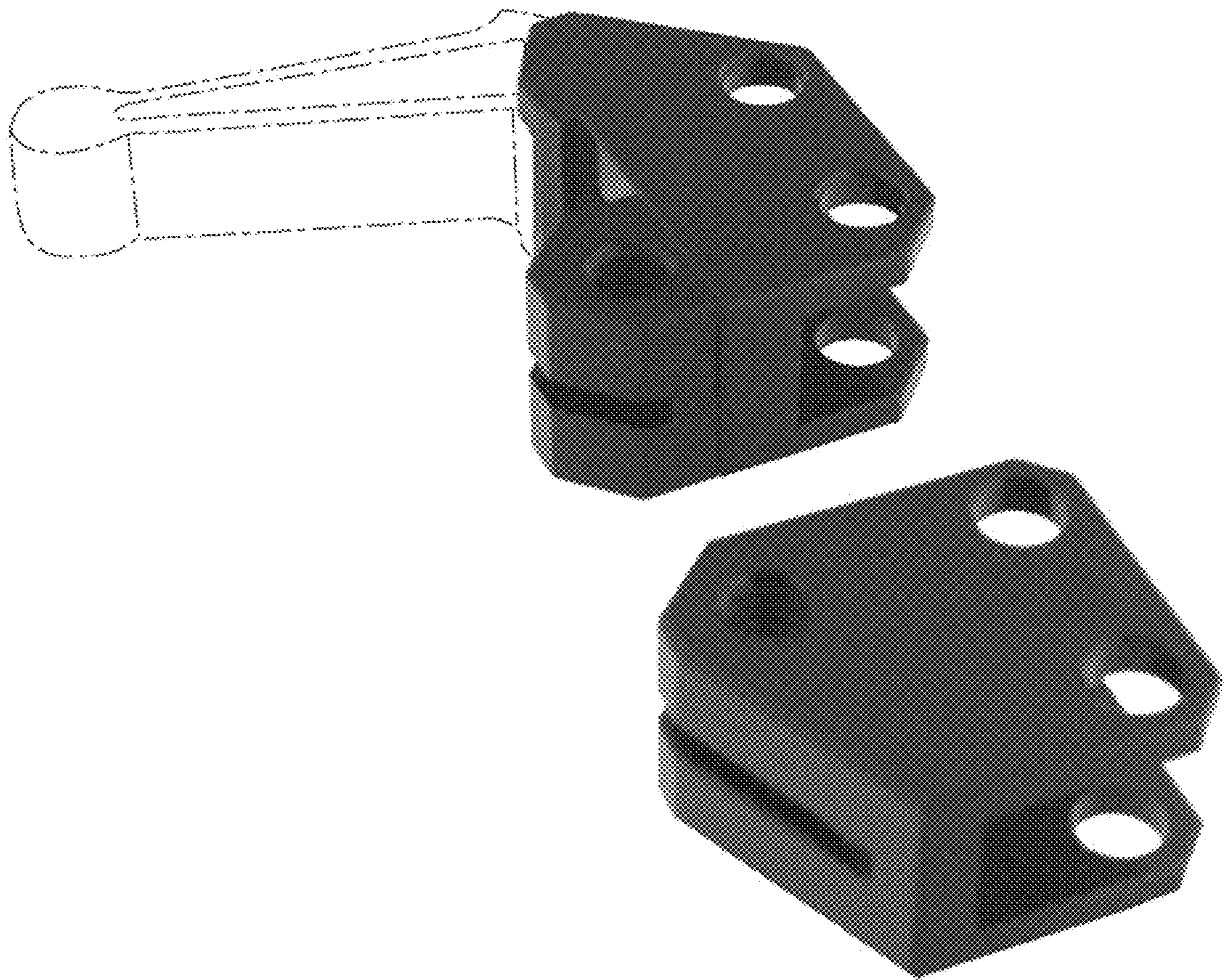
1.14



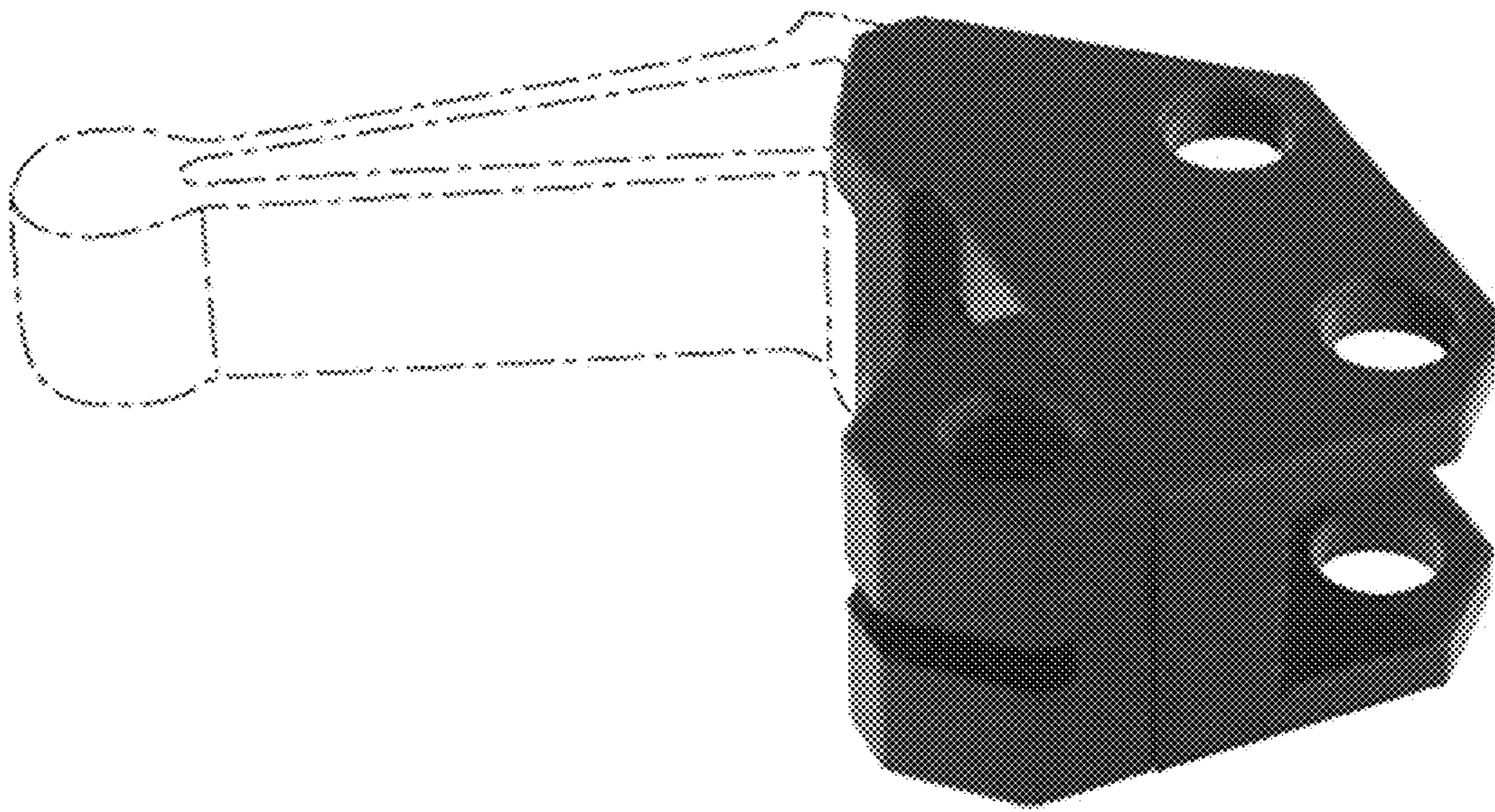
1.15



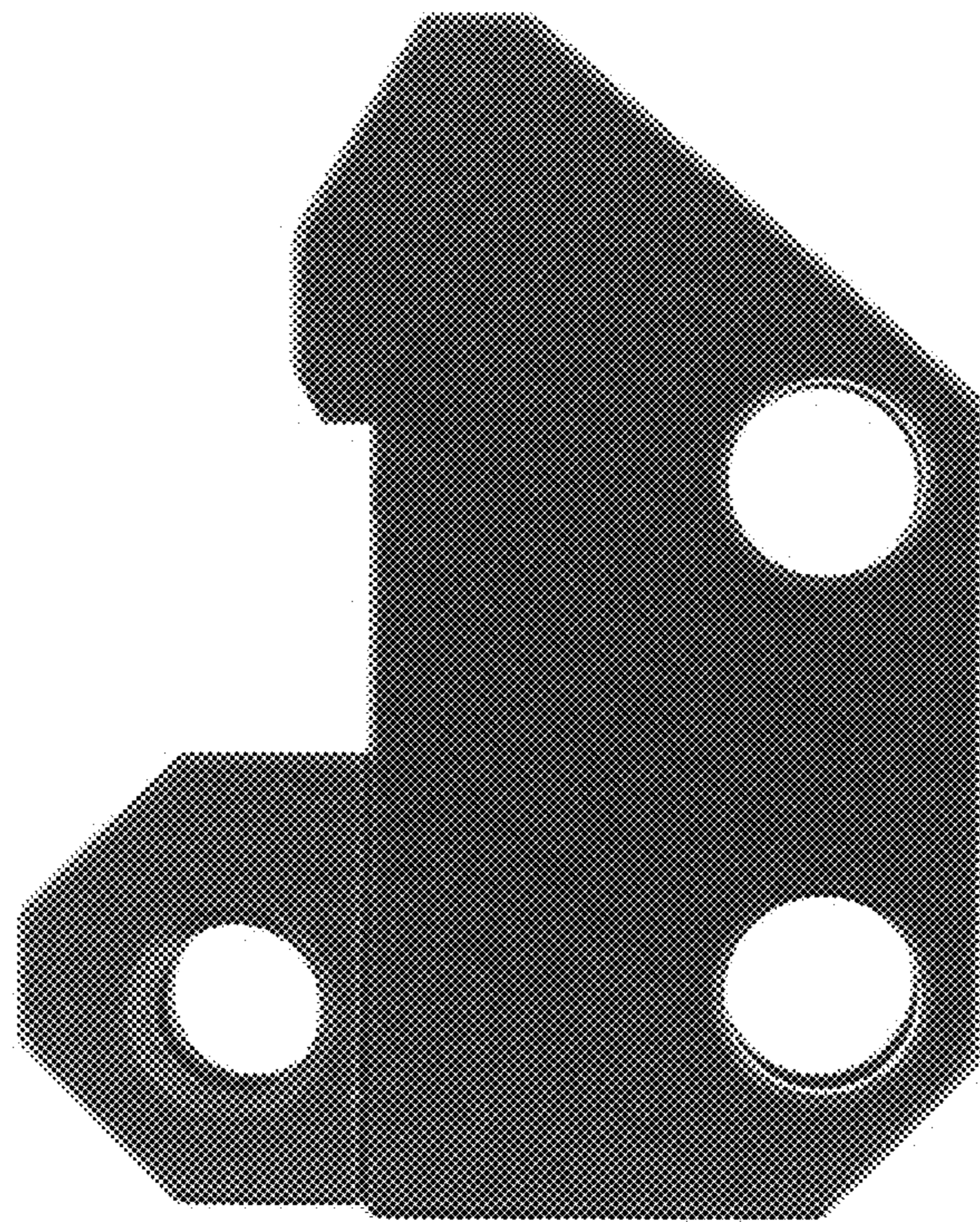
2.1



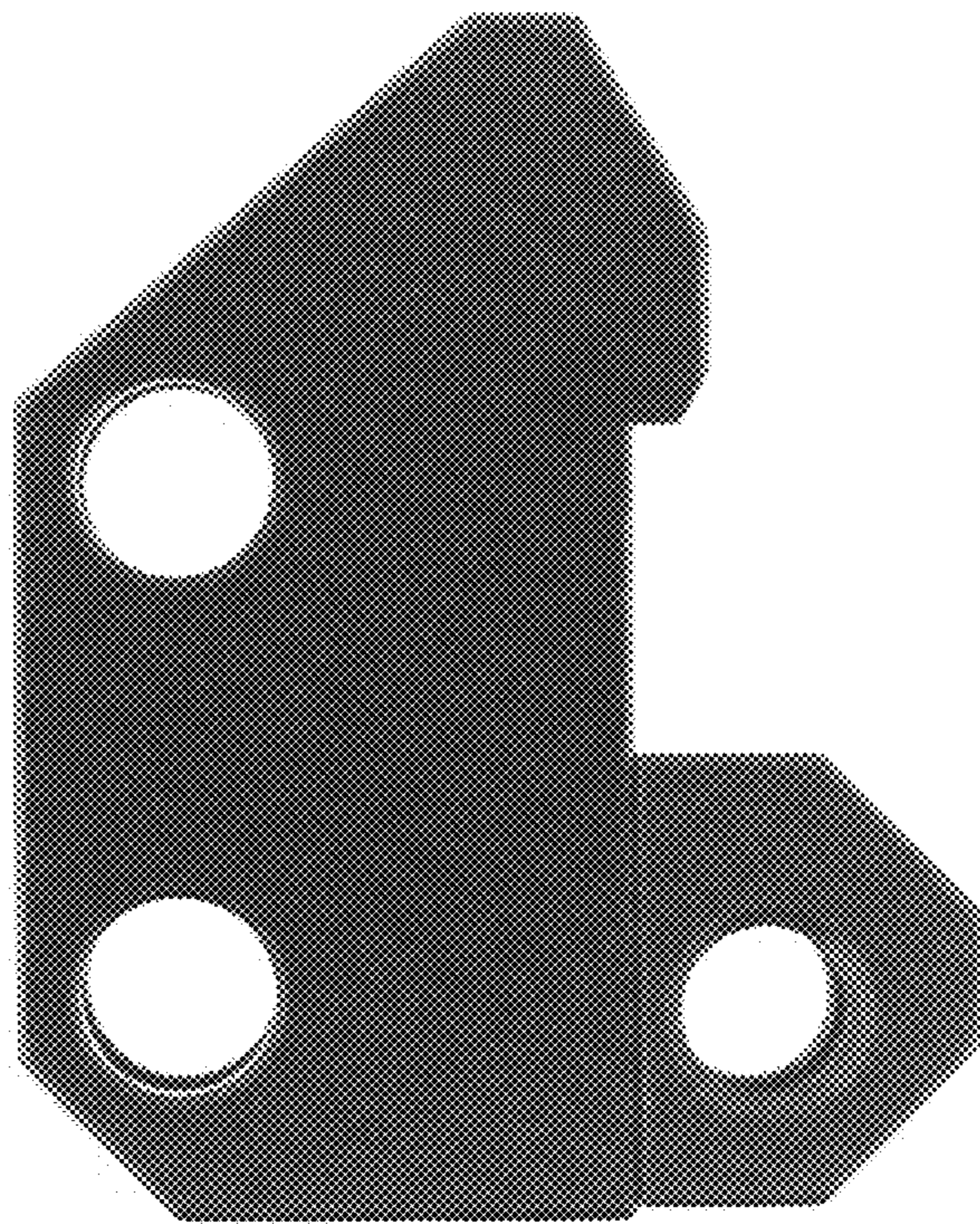
2.2



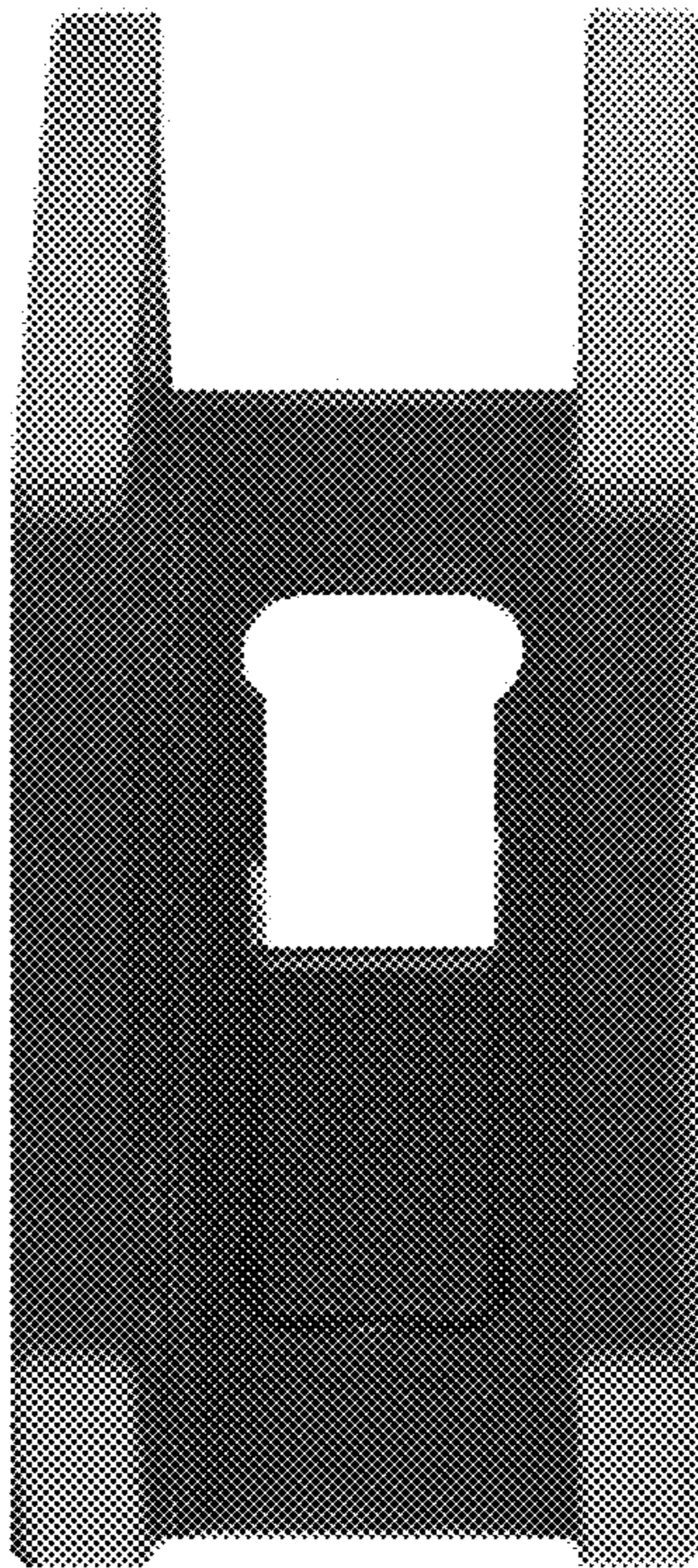
2.3



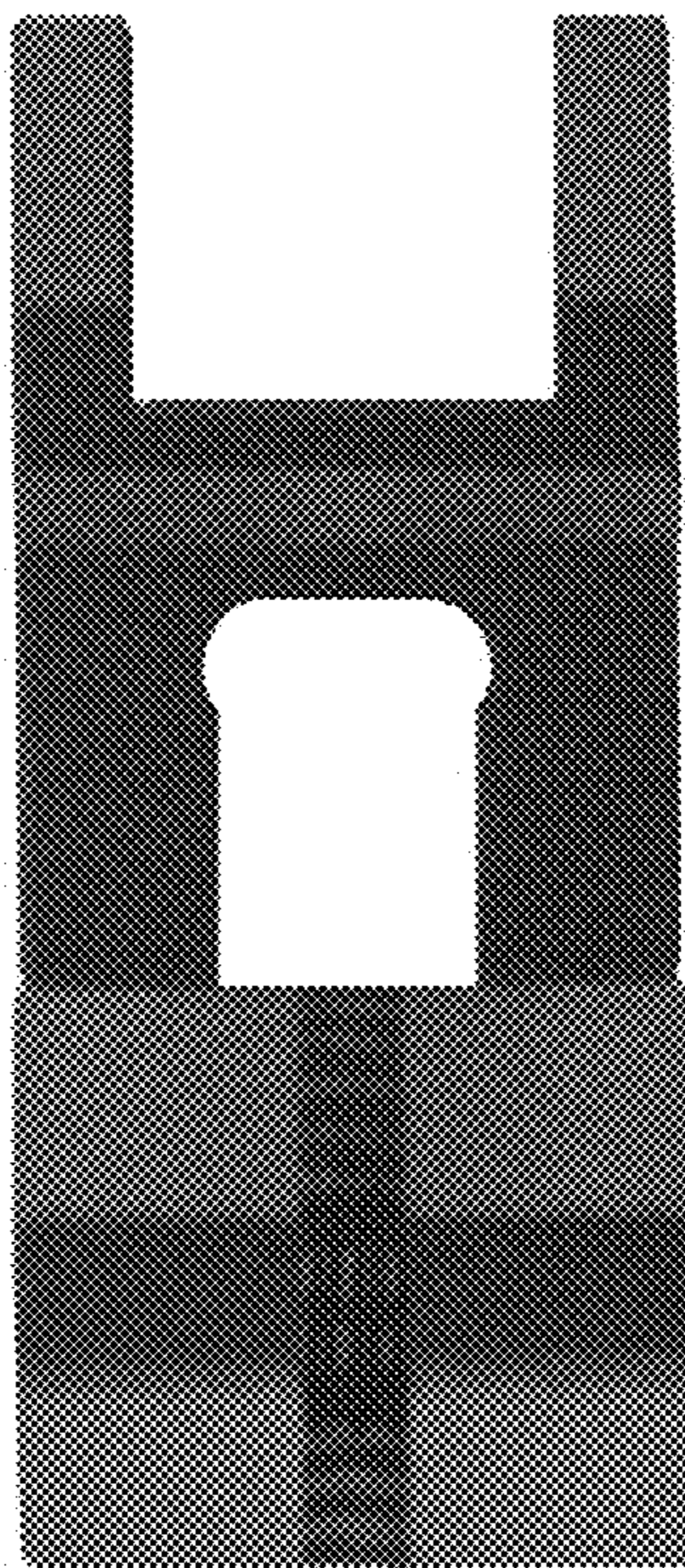
2.4



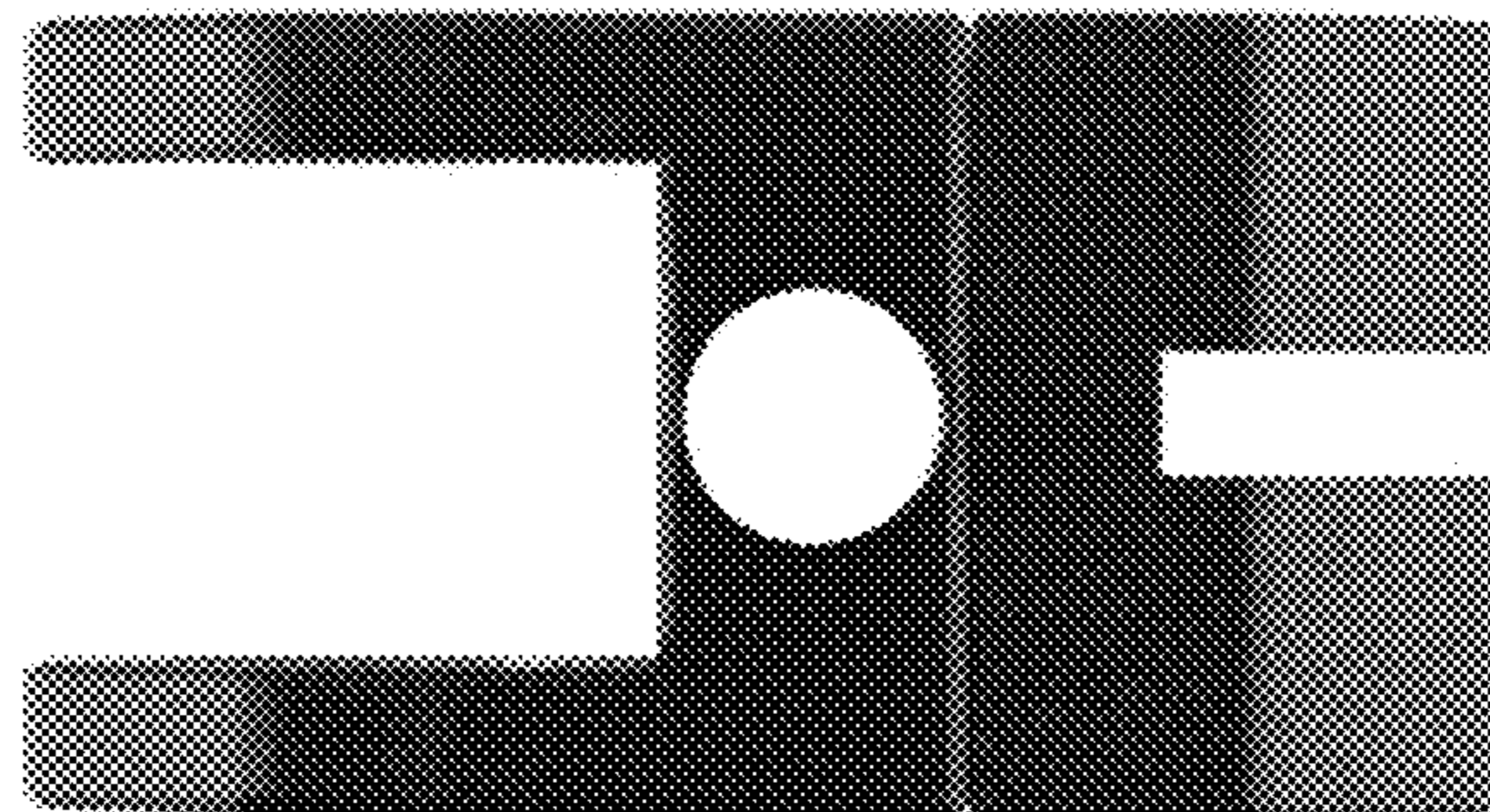
2.5



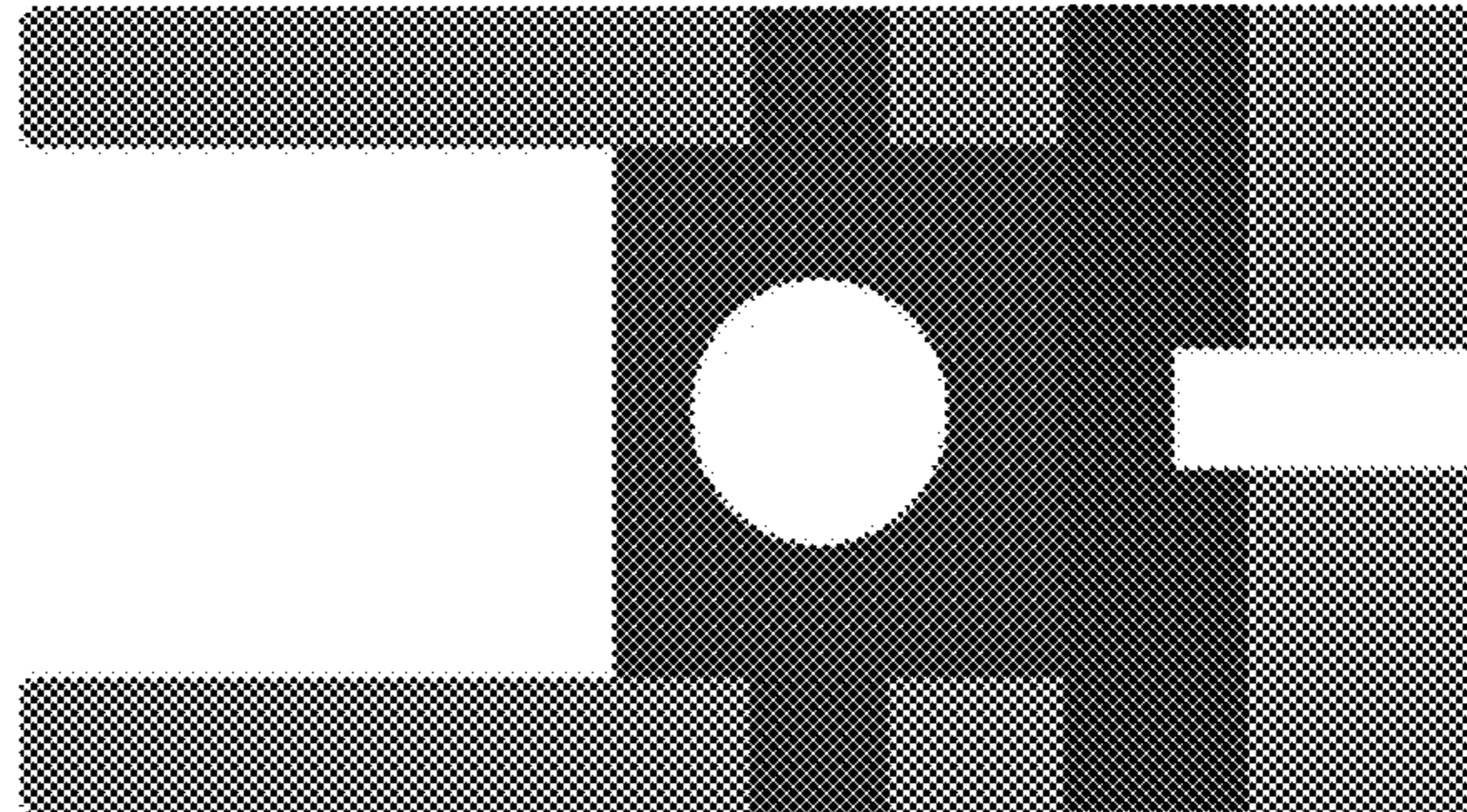
2.6



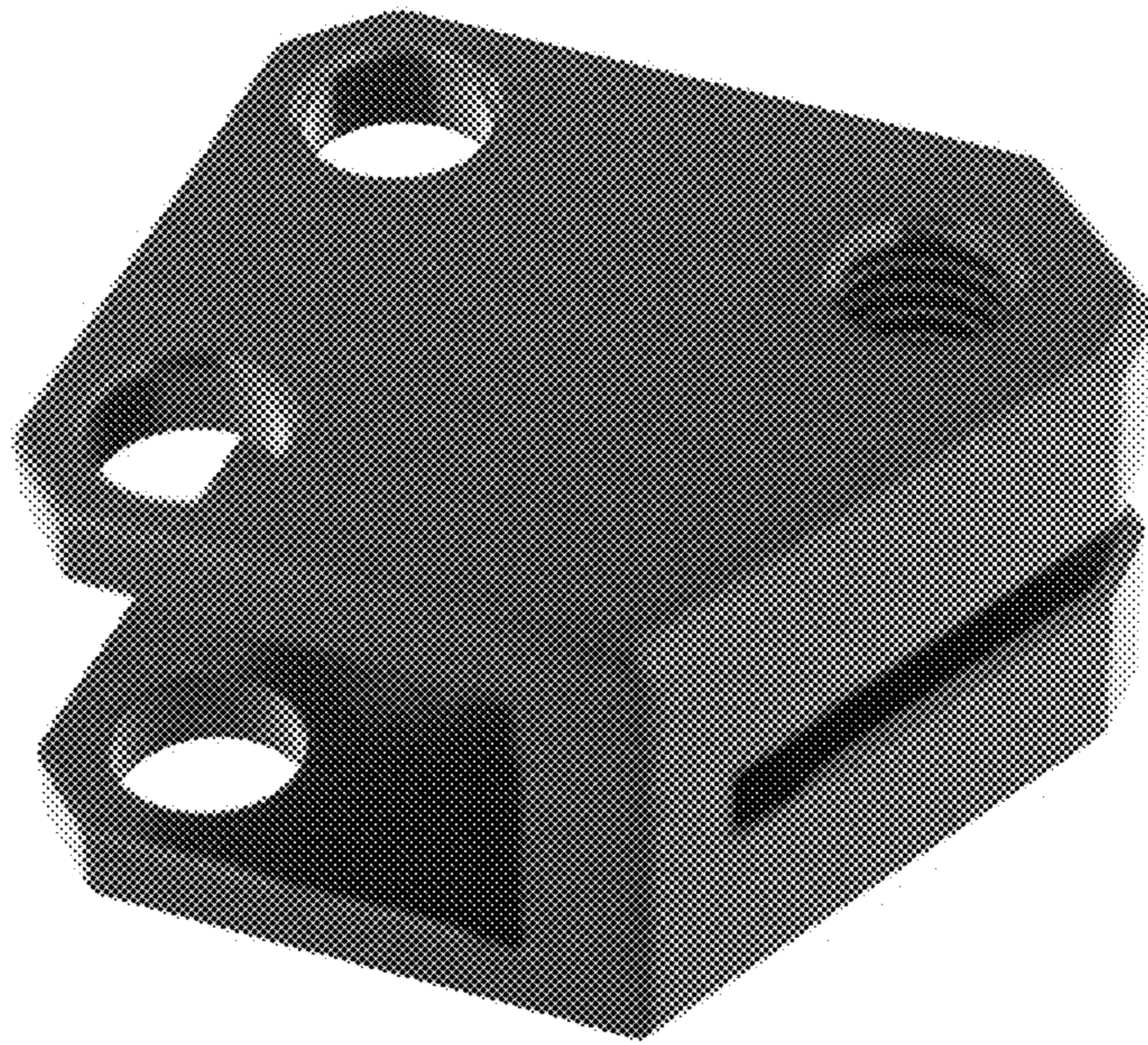
2.7



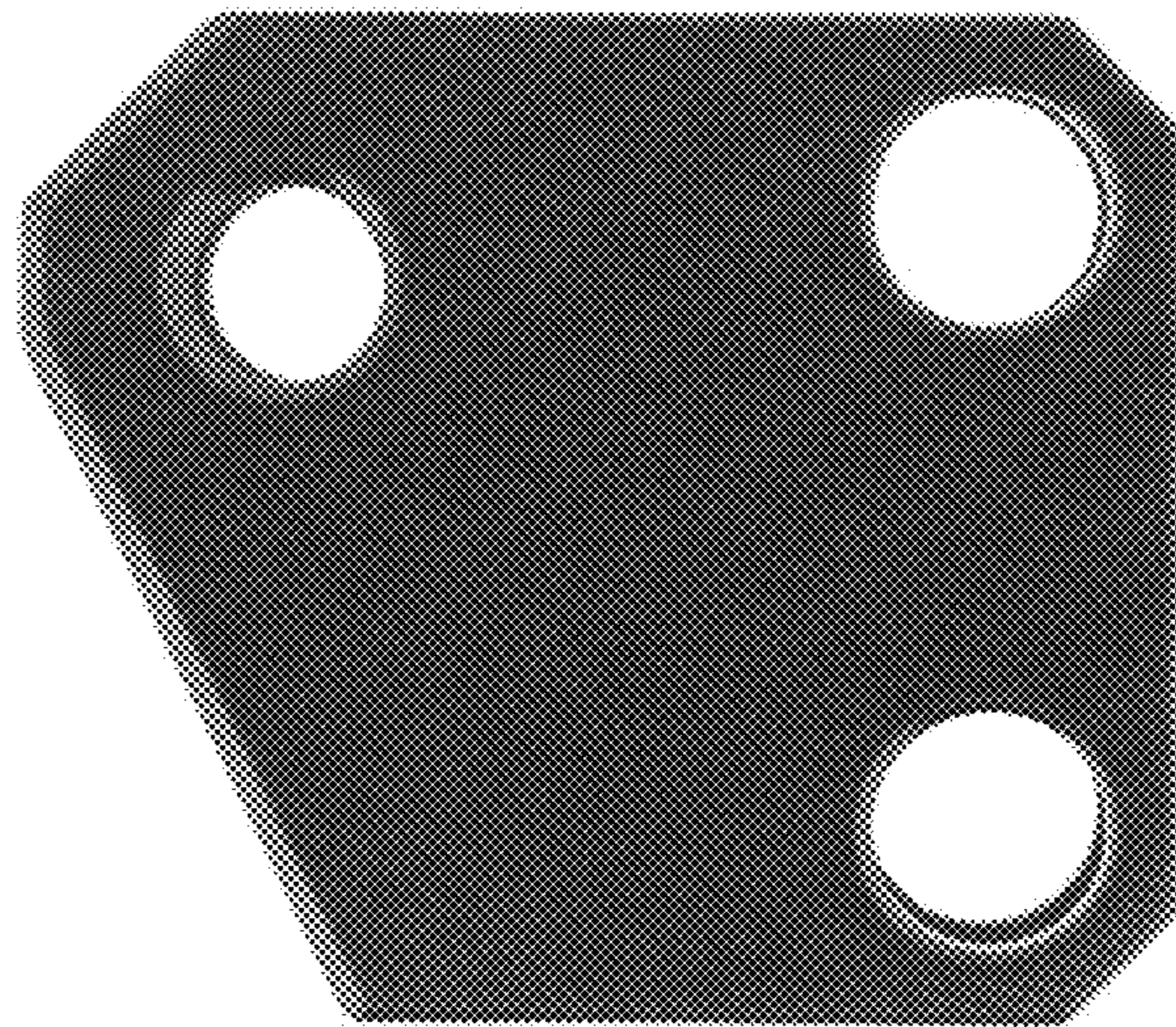
2.8



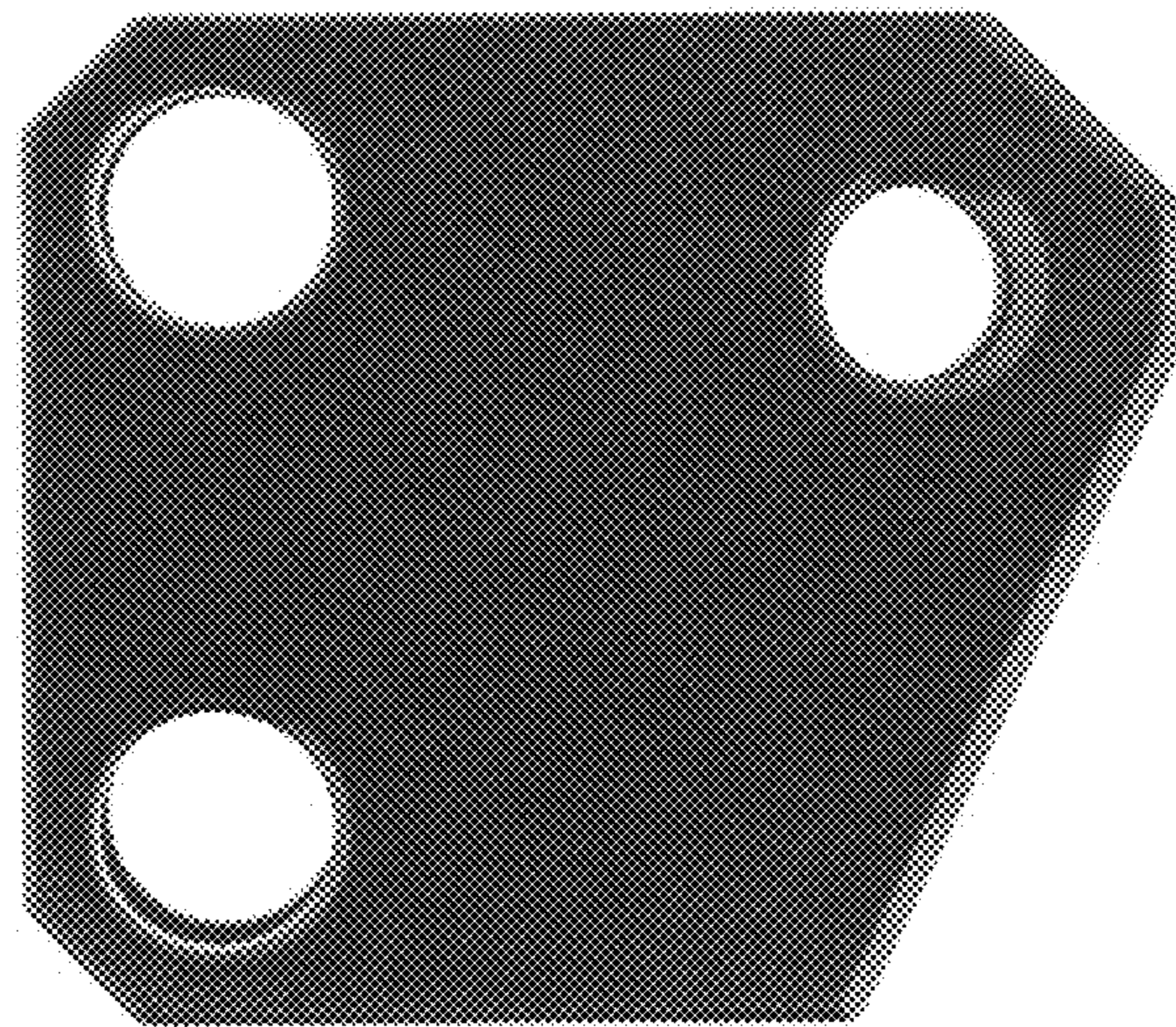
2.9



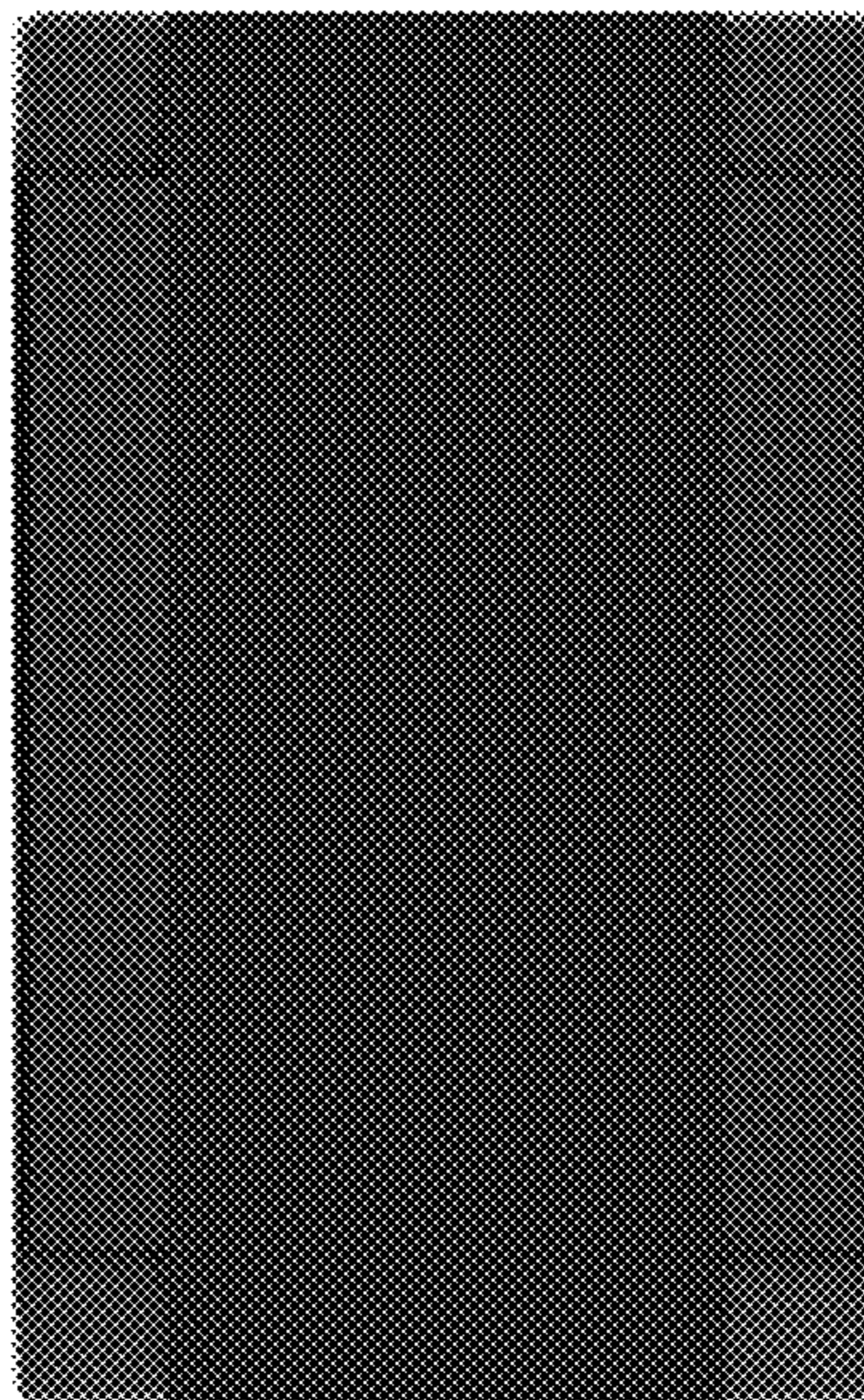
2.10



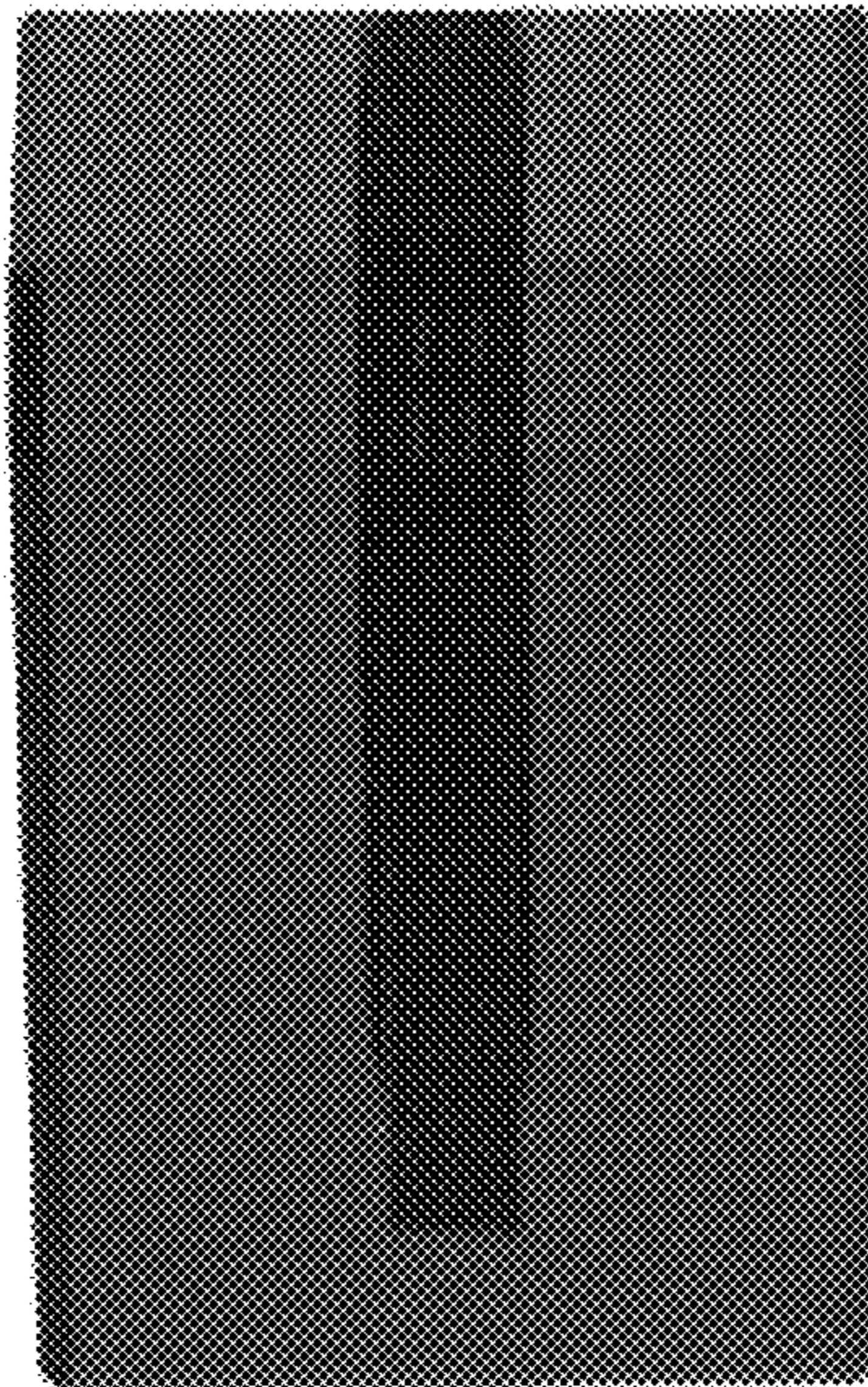
2.11



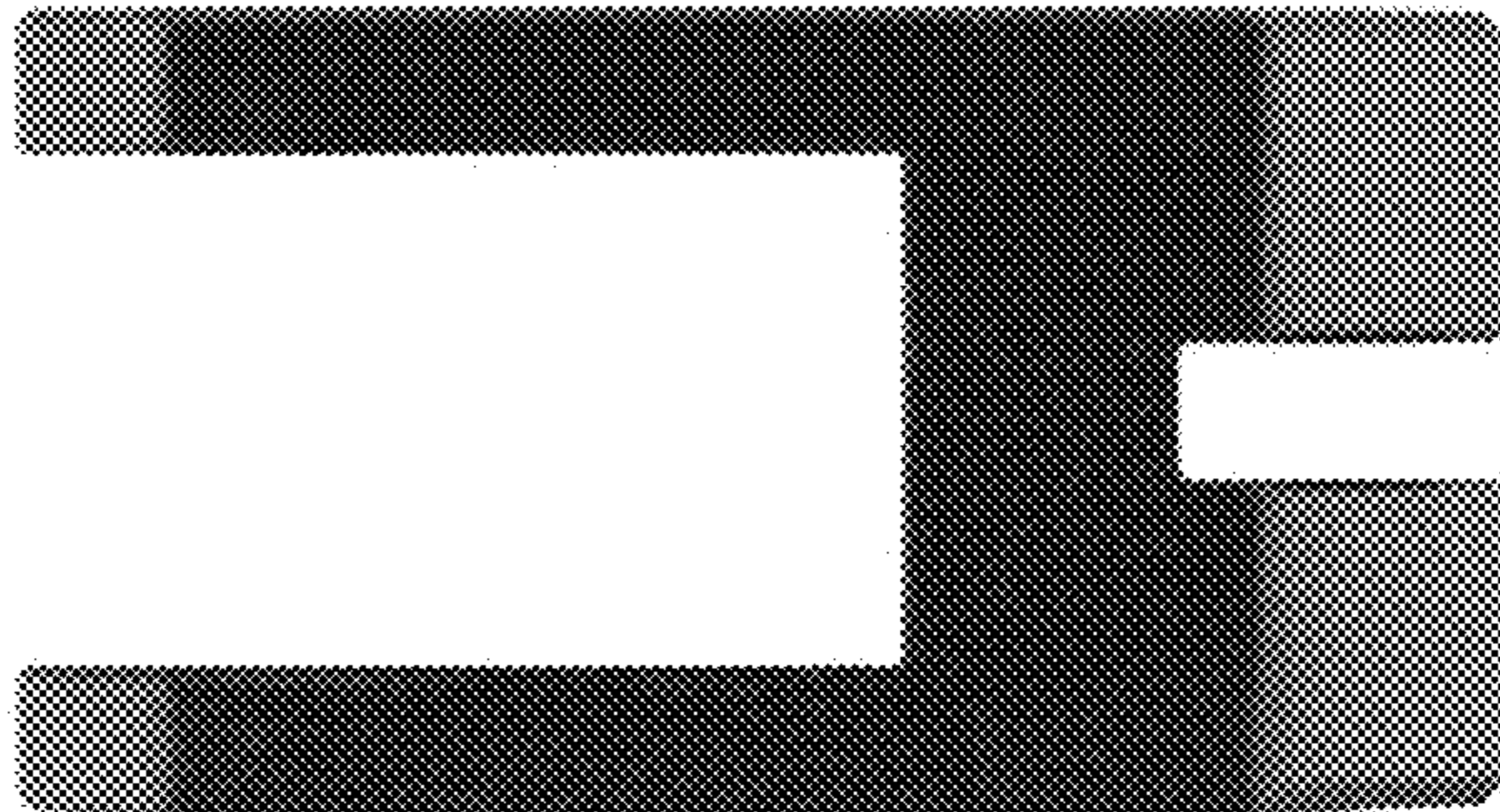
2.12



2.13



2.14



2.15

