



US00D871877S

(12) **United States Design Patent**  
**Terris et al.**

(10) **Patent No.:** **US D871,877 S**  
(45) **Date of Patent:** **\*\* Jan. 7, 2020**

- (54) **HOLE SAW ARBOR**
- (71) Applicant: **Hole Dynamics, LLC**, Jackson, WY (US)
- (72) Inventors: **Scott Terris**, Star Valley Ranch, WY (US); **Austin Brackin**, Preston, ID (US)
- (73) Assignee: **Hole Dynamics, LLC**, Star Valley Ranch, WY (US)

7,556,401 B2 \* 7/2009 Smith ..... B23D 59/003  
362/253  
D623,034 S \* 9/2010 Evatt ..... D8/70  
D633,769 S \* 3/2011 Evatt ..... D8/70  
D646,542 S \* 10/2011 Wackwitz ..... D8/70  
8,048,078 B2 11/2011 Reinhard  
8,100,612 B2 1/2012 Miyanaga  
D653,523 S \* 2/2012 Wackwitz ..... D15/138  
D665,242 S \* 8/2012 Wackwitz ..... D15/140

(Continued)

(\*\*) Term: **15 Years**

(21) Appl. No.: **29/645,092**

(22) Filed: **Apr. 24, 2018**

(51) **LOC (12) Cl.** ..... **08-05**

(52) **U.S. Cl.**  
USPC ..... **D8/70**

(58) **Field of Classification Search**  
USPC ..... D8/70; D15/140  
CPC ... B23B 31/4073; B23B 51/0473; B27B 5/32;  
B27B 5/34; B23D 61/025

See application file for complete search history.

(56) **References Cited**

**U.S. PATENT DOCUMENTS**

2,480,595 A 8/1949 Moyer et al.  
D319,565 S \* 9/1991 Krogsgaard ..... D15/138  
D460,469 S \* 7/2002 Yue ..... D15/140  
D474,954 S \* 5/2003 Kim ..... D15/126  
6,796,888 B2 \* 9/2004 Jasch ..... B23B 31/008  
451/342  
6,802,764 B2 \* 10/2004 Besch ..... B26B 7/00  
30/340  
6,926,476 B1 8/2005 Miyanaga  
6,945,862 B2 \* 9/2005 Jasch ..... B23B 31/008  
451/342  
6,966,730 B1 11/2005 Miyanaga  
7,273,412 B1 \* 9/2007 Sun ..... B24D 13/20  
451/490

**FOREIGN PATENT DOCUMENTS**

DE 102006021715 11/2007  
EP 1447195 8/2004

(Continued)

*Primary Examiner* — Darlington Ly

(74) *Attorney, Agent, or Firm* — Durham Jones & Pinegar; Sarah W. Matthews

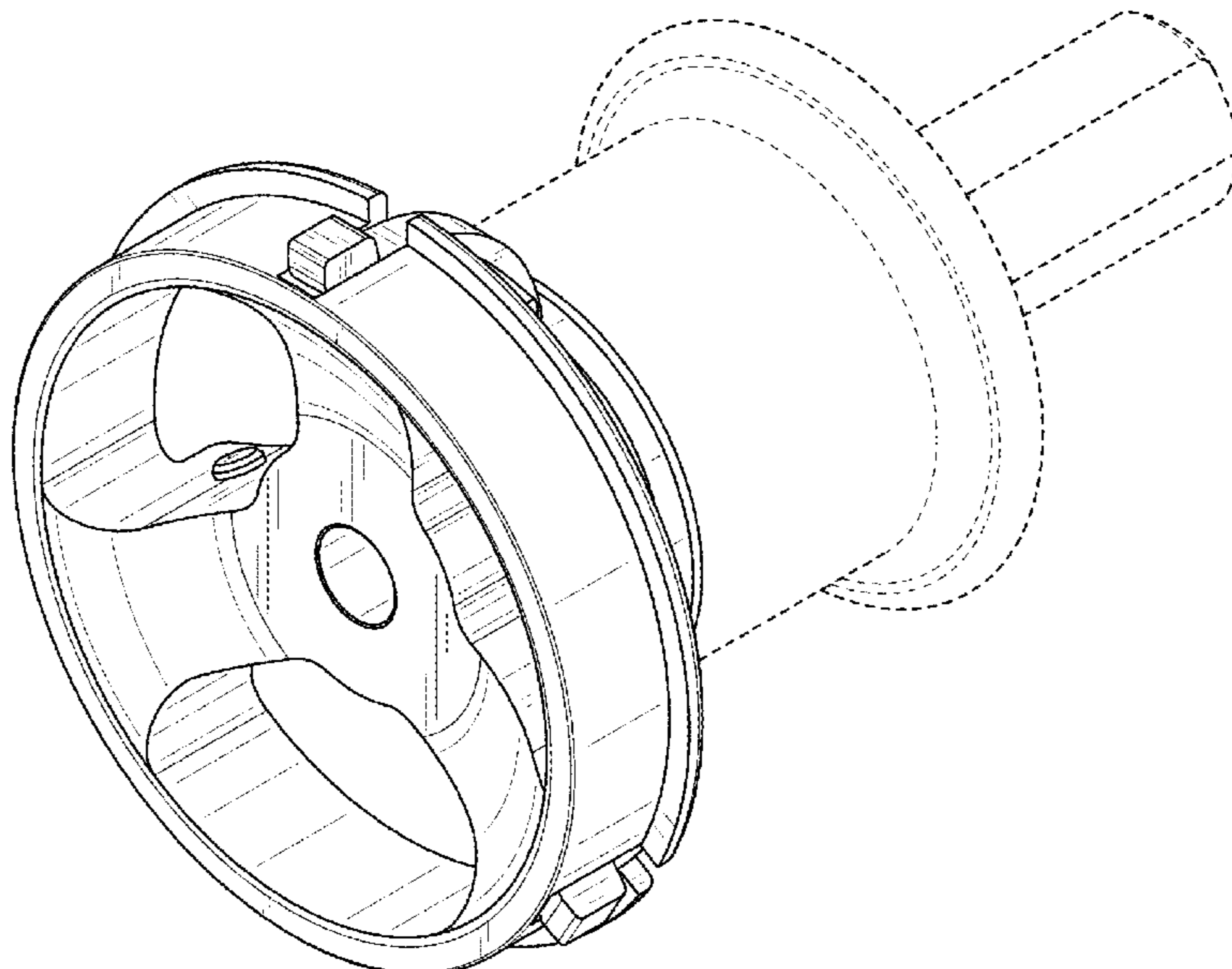
(57) **CLAIM**

We claim the ornamental design for a hole saw arbor, substantially as shown and described.

**DESCRIPTION**

FIG. 1 is a front, top, and left side perspective view of a hole saw arbor showing our new design;  
FIG. 2 is a left side elevation view thereof;  
FIG. 3 is a right side elevation view thereof;  
FIG. 4 is a front elevation view thereof;  
FIG. 5 is a rear elevation view thereof;  
FIG. 6 is a top plan view thereof;  
FIG. 7 is a bottom plan view thereof;  
FIG. 8 is a rear, top, and left side perspective view thereof;  
FIG. 9 is a front, bottom, and left side perspective view thereof; and,  
FIG. 10 is a rear, bottom, and left side perspective view thereof.

**1 Claim, 10 Drawing Sheets**



(56)

**References Cited**

U.S. PATENT DOCUMENTS

8,366,356 B2 \* 2/2013 Novak ..... B23B 51/0473  
408/204  
D714,119 S \* 9/2014 Graber ..... D8/70  
D719,199 S \* 12/2014 Kurusu ..... D15/138  
D719,591 S \* 12/2014 Kurusu ..... D15/138  
8,915,499 B2 \* 12/2014 Kaye, Jr. .... B25F 3/00  
279/141  
9,022,703 B2 \* 5/2015 Keightley ..... B23B 51/0473  
408/204  
RE46,103 E \* 8/2016 Novak ..... B23B 51/04  
9,751,135 B1 9/2017 Terris  
D802,391 S \* 11/2017 Cuzdey ..... D8/70  
9,821,380 B1 11/2017 Terris  
D811,843 S \* 3/2018 Matsui ..... D8/70  
10,265,778 B2 \* 4/2019 Kaye, Jr. .... B23D 61/006  
2003/0217743 A1 \* 11/2003 Gardner ..... B23D 45/16  
125/13.01  
2014/0126973 A1 5/2014 Pamatmat

FOREIGN PATENT DOCUMENTS

FR 951001 10/1949  
JP 02292107 12/1990  
JP 0475812 3/1992  
JP 0475813 3/1992

\* cited by examiner

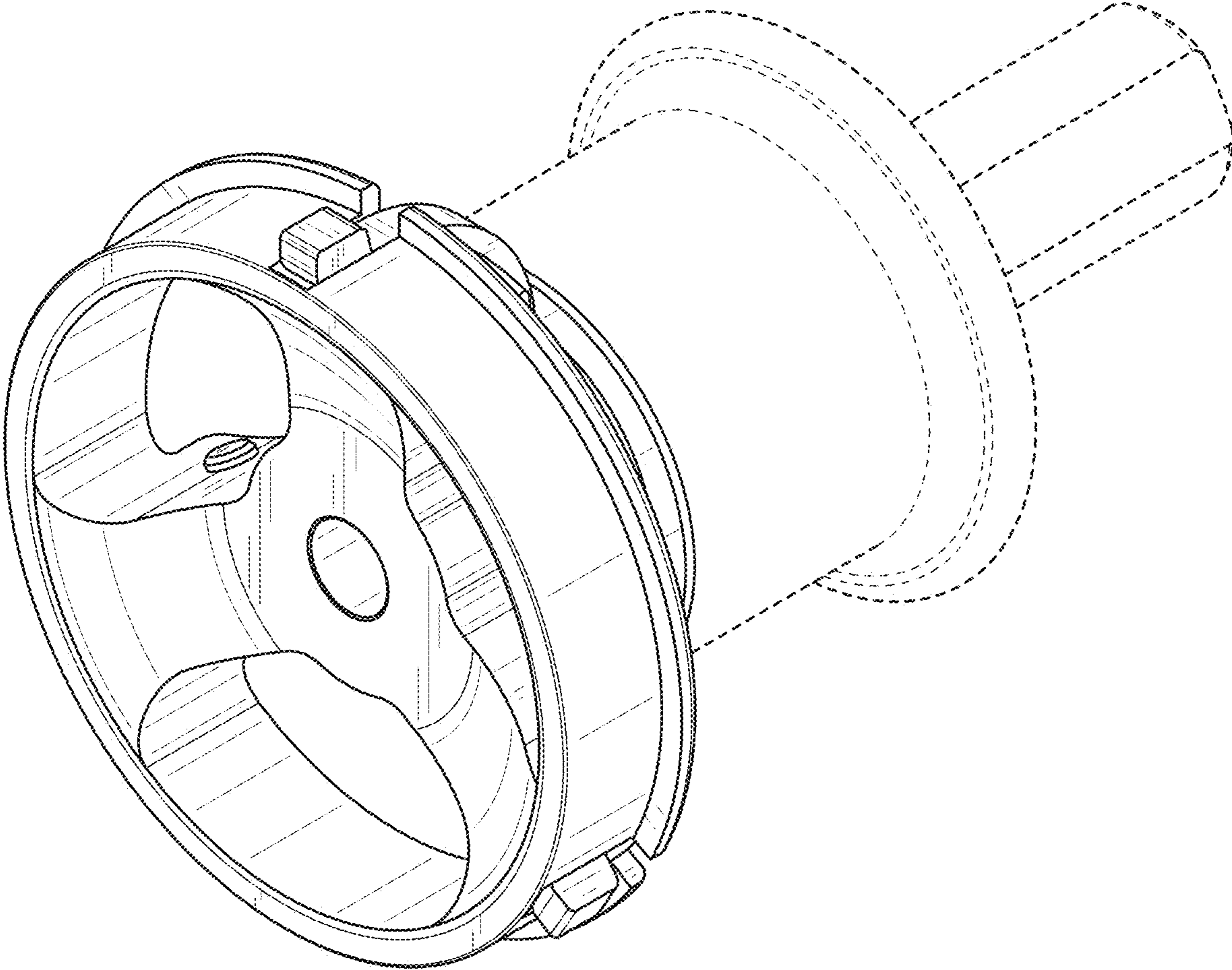


FIG. 1

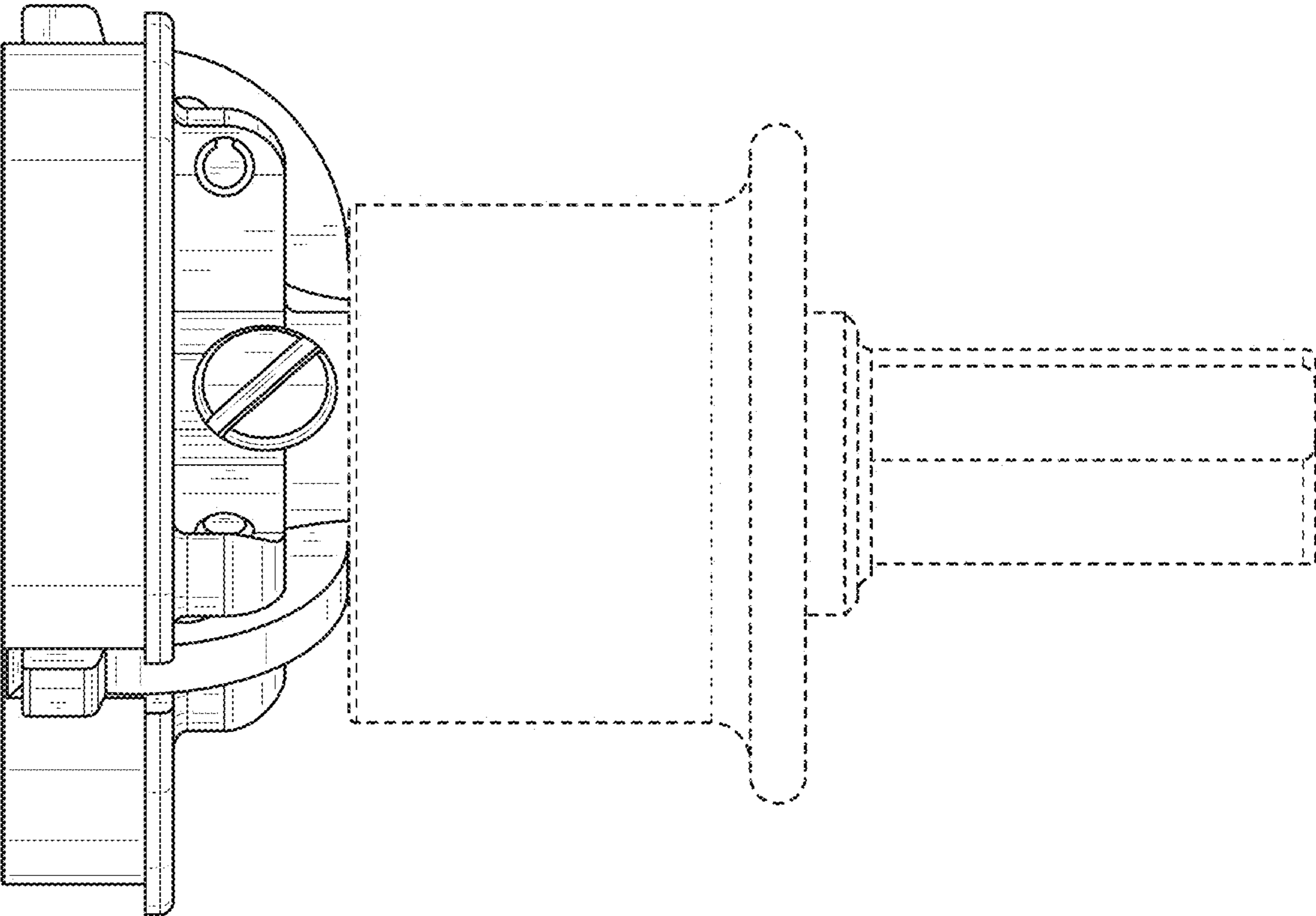


FIG. 2

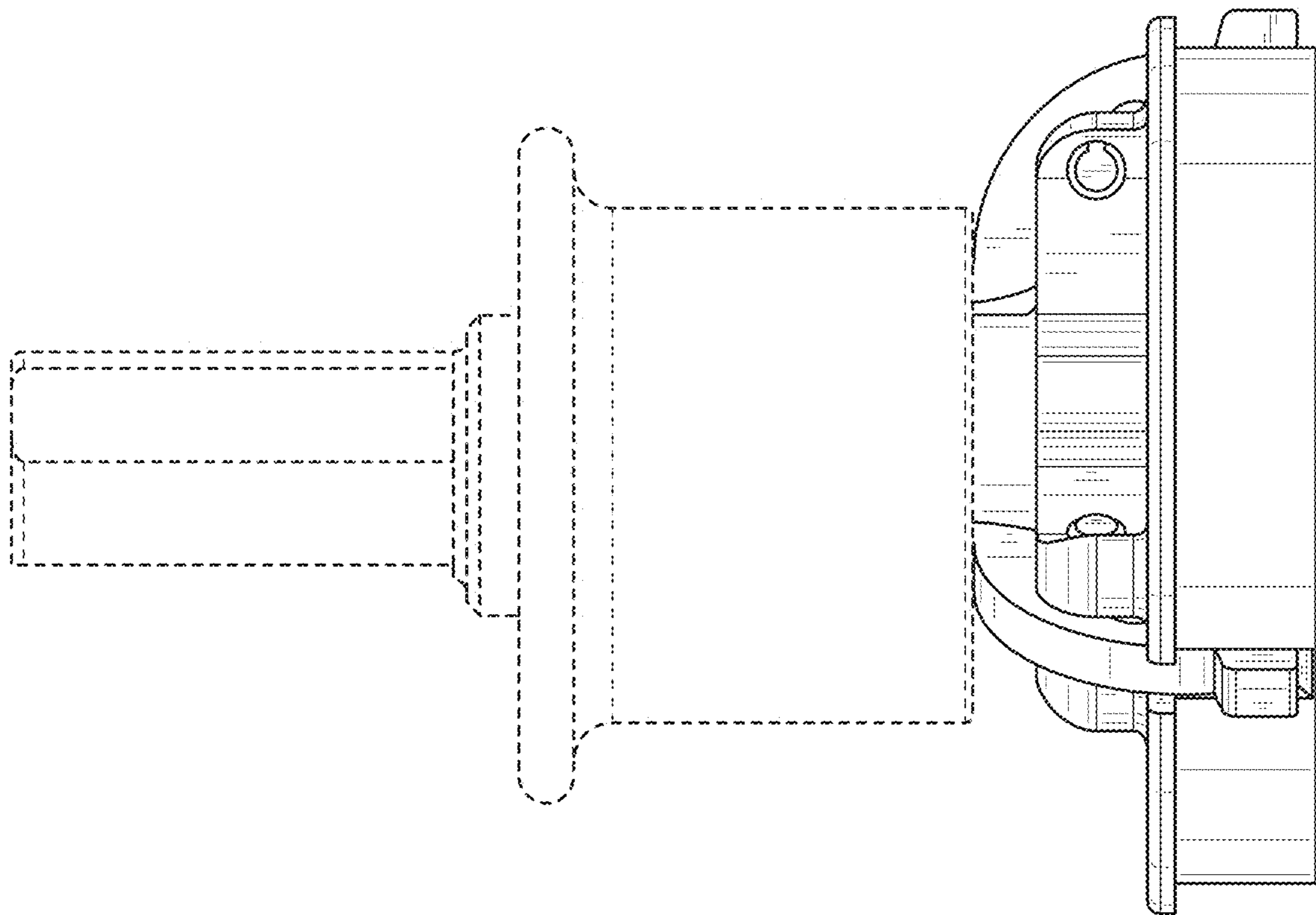


FIG. 3

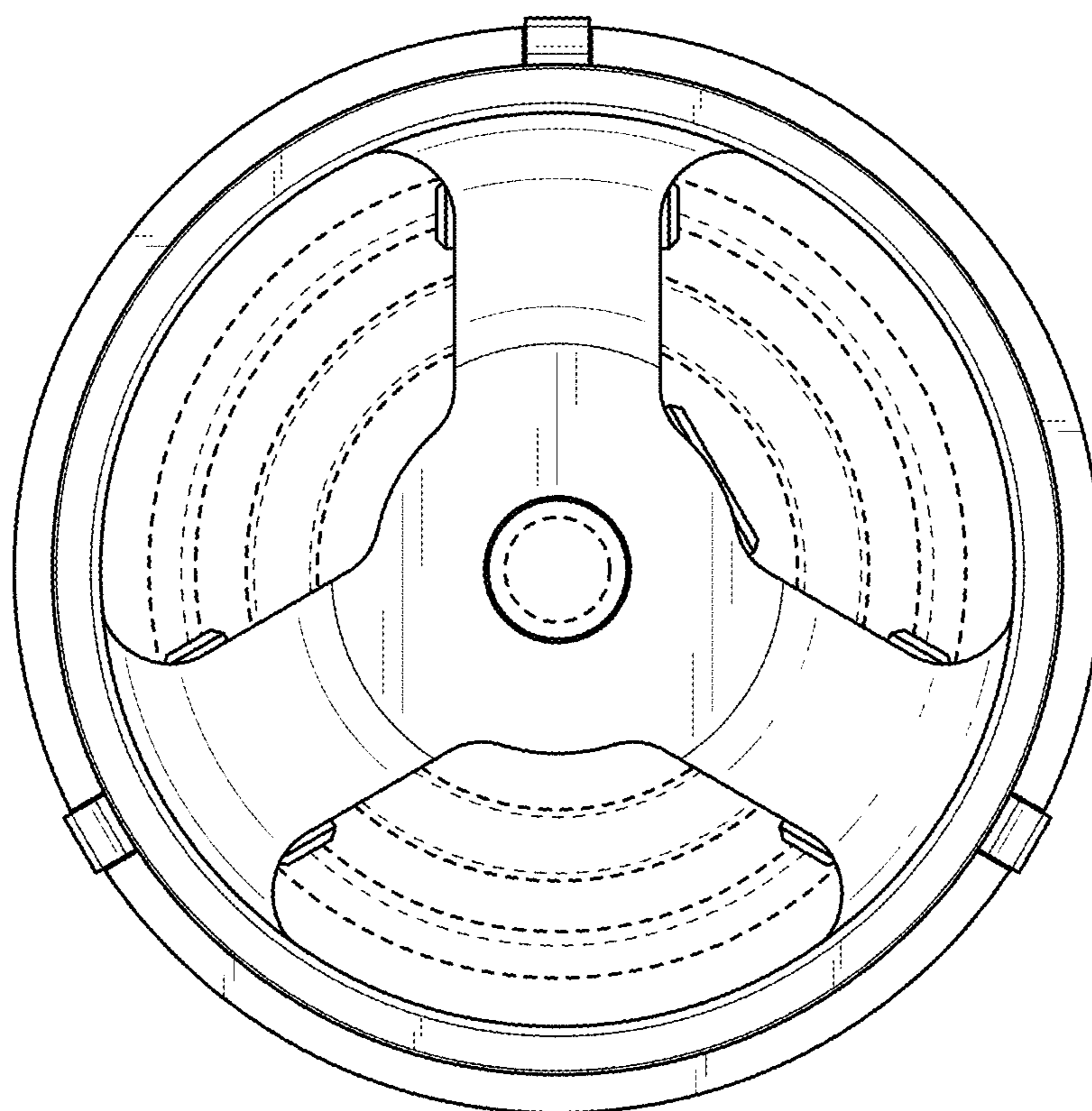


FIG. 4

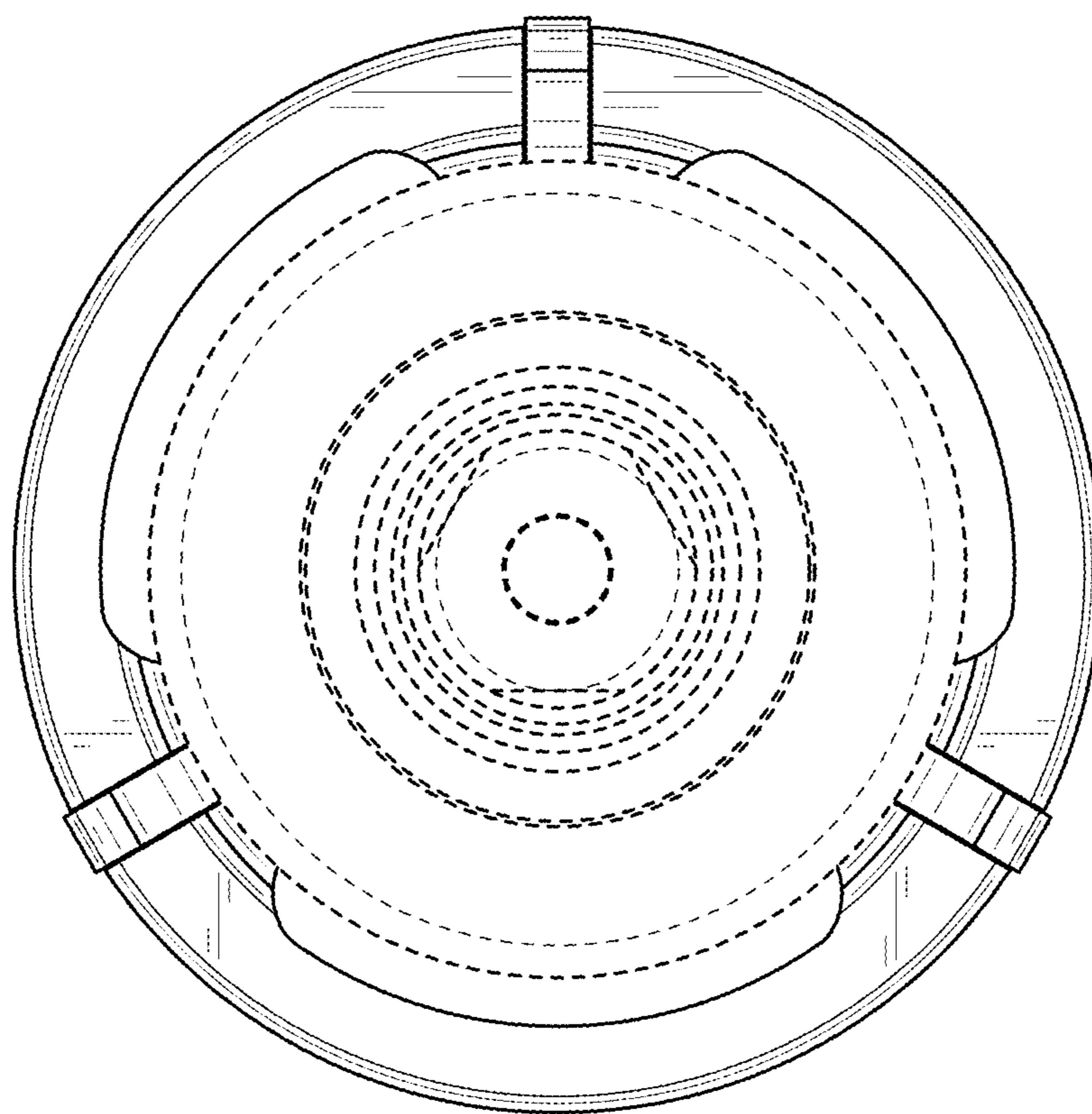


FIG. 5

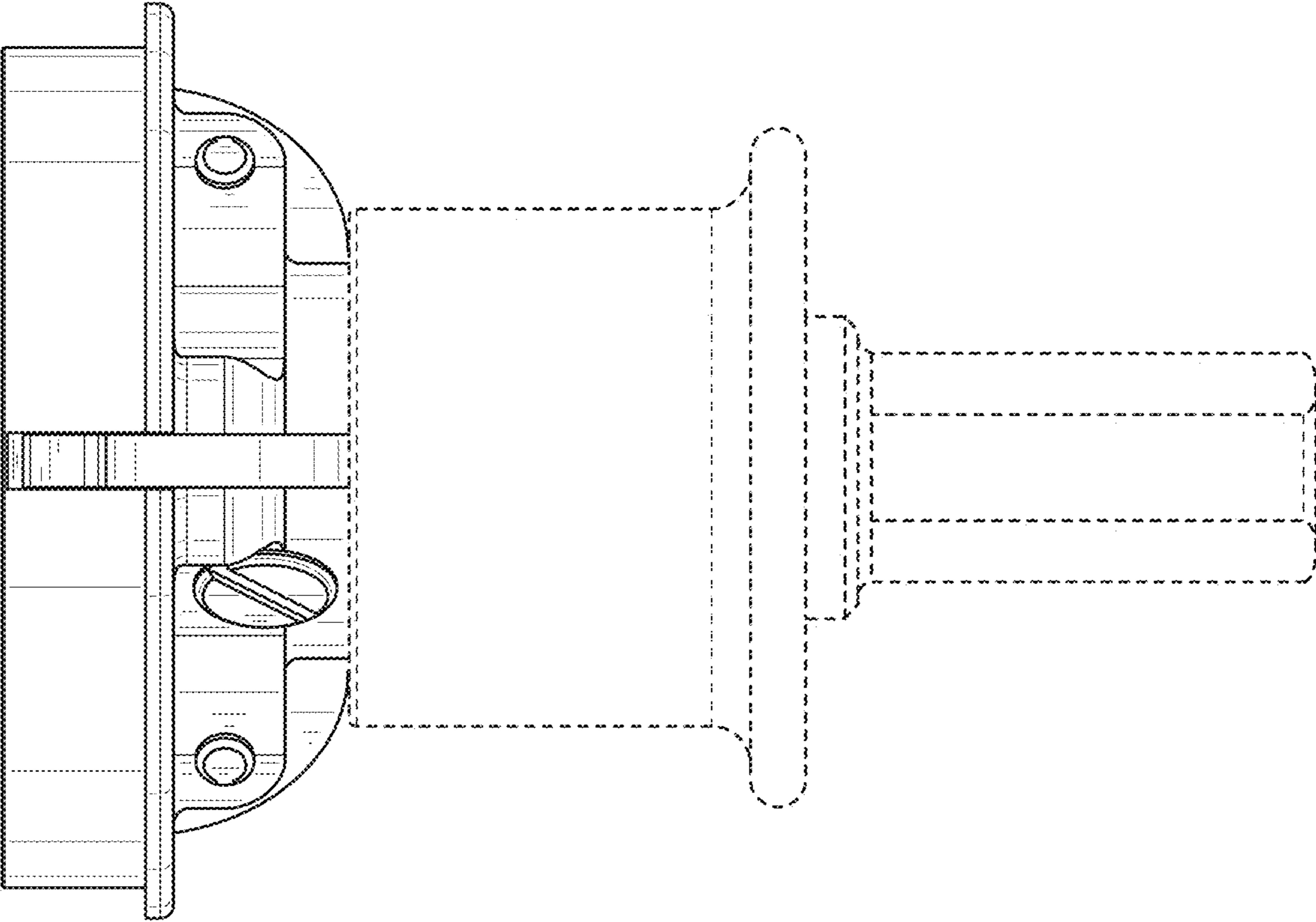


FIG. 6



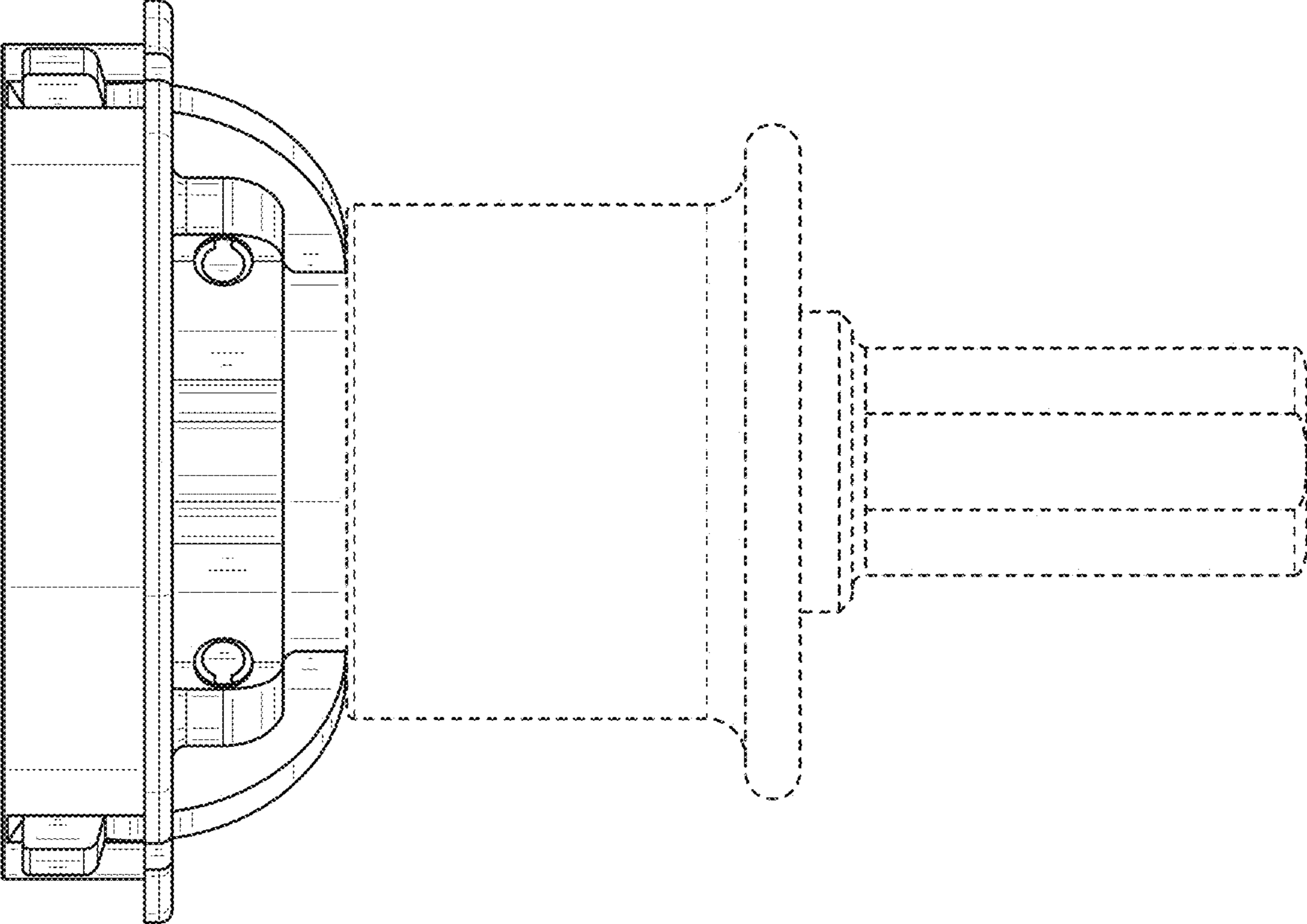


FIG. 7

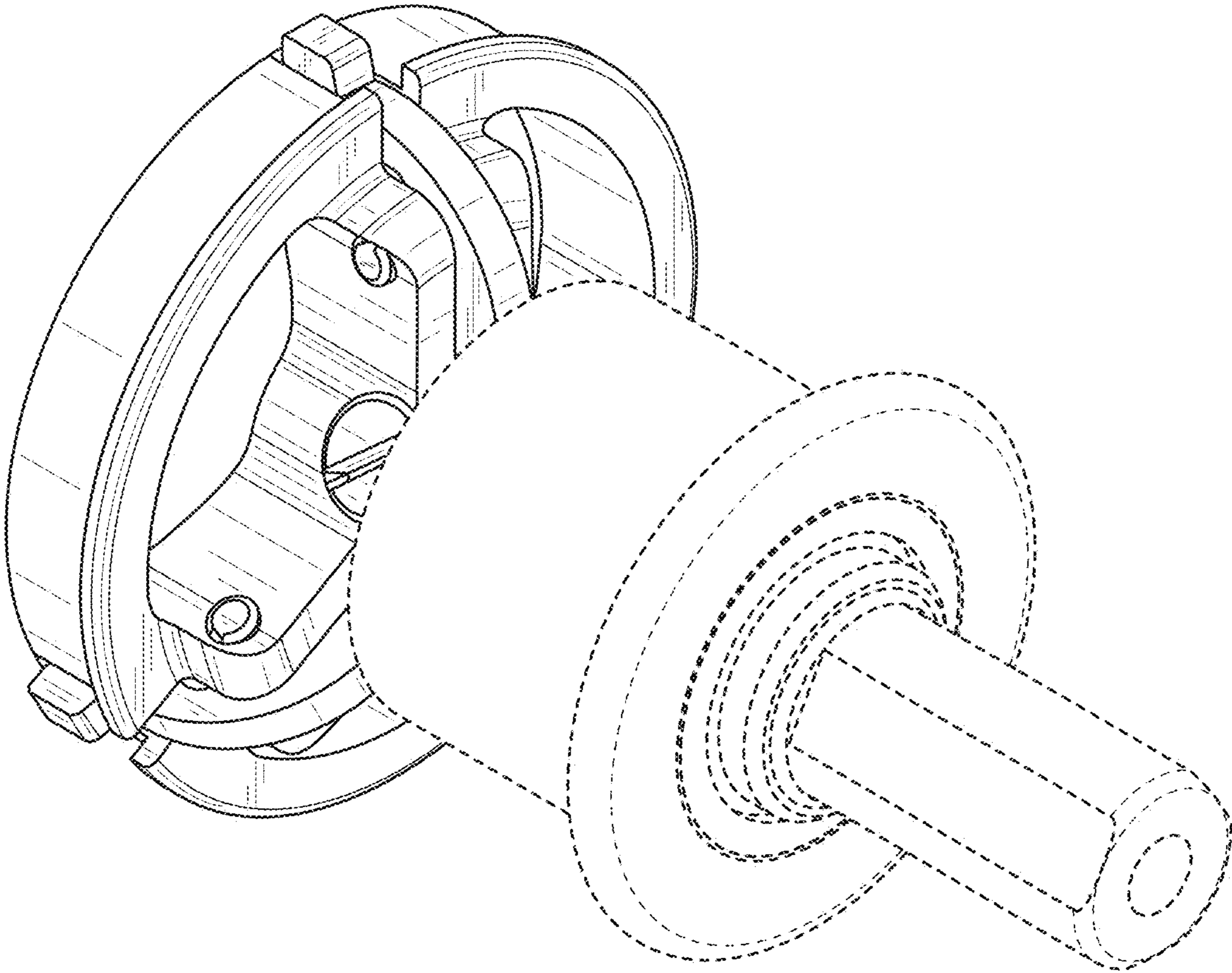


FIG. 8

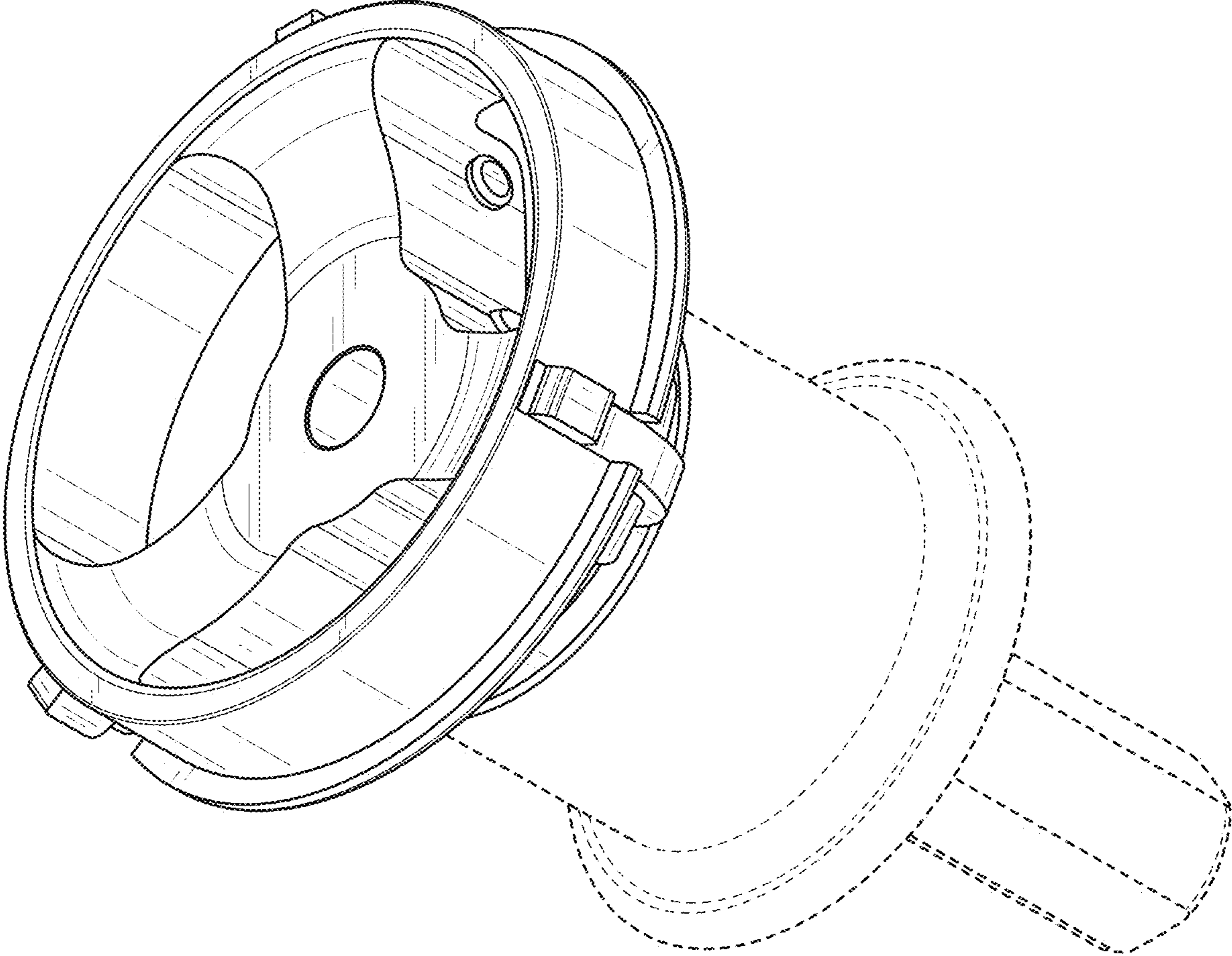


FIG. 9

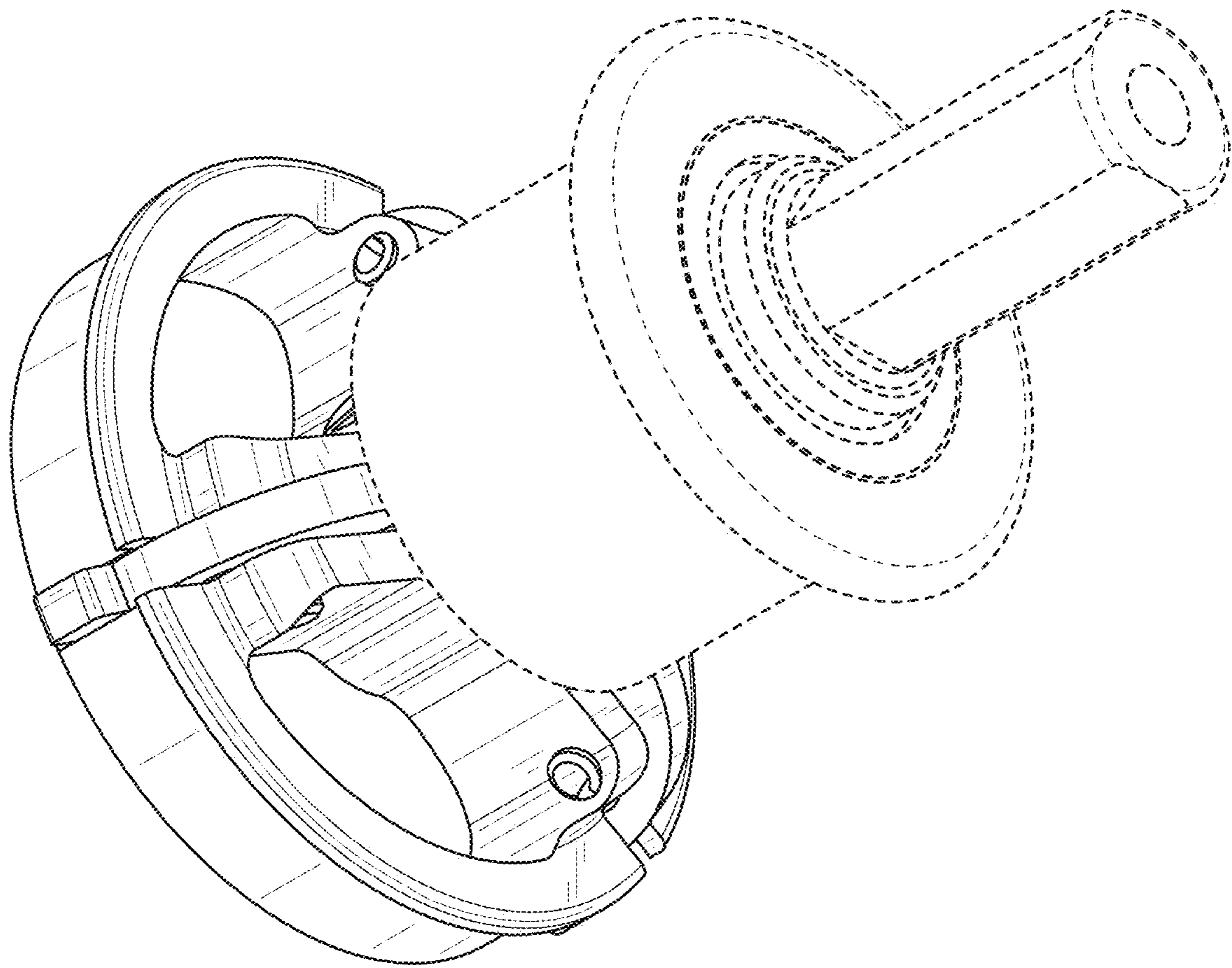


FIG. 10