



US00D871876S

(12) **United States Design Patent** (10) **Patent No.:** **US D871,876 S**
McClure (45) **Date of Patent:** **** Jan. 7, 2020**

(54) **EXPANDABLE COLLET BODY** 4,858,938 A * 8/1989 Terwilliger B23B 31/202
279/57
(71) Applicant: **Centrix Inc.**, Kent, WA (US) 5,065,490 A 11/1991 Wivagg et al.
5,704,752 A 1/1998 Logerot
(72) Inventor: **Travis McClure**, Kirkland, WA (US) D437,865 S * 2/2001 Kladich D15/140
(Continued)

(73) Assignee: **Centrix, Inc.**, Kent, WA (US)

(**) Term: **15 Years**

(21) Appl. No.: **29/643,318**

(22) Filed: **Apr. 6, 2018**

FOREIGN PATENT DOCUMENTS

GB 413403 A 7/1934
GB 1548964 A 7/1979
(Continued)

OTHER PUBLICATIONS

ISA United States Patent and Trademark Office, International Search Report Issued in Application No. PCT/US2017/019538, dated Jun. 28, 2017, WIPO, 3 pages.

(Continued)

Primary Examiner — Darlington Ly
(74) *Attorney, Agent, or Firm* — McCoy Russell LLP

Related U.S. Application Data

(63) Continuation of application No. 15/442,609, filed on Feb. 24, 2017.

(51) **LOC (12) Cl.** **08-05**

(52) **U.S. Cl.**
USPC **D8/70; D15/140**

(58) **Field of Classification Search**
USPC D8/70, 71, 85, 86, 349, 359, 382, 387,
D8/394, 397; D15/138, 139; D22/134,
D22/137, 138, 140, 141; D3/24, 25

CPC B25B 15/00; B25B 23/0035; B25B 23/12;
B25B 23/0028; B25B 23/00; B25B 23/10;
B25B 23/08; B25F 1/003; B25G 1/066
See application file for complete search history.

(57) **CLAIM**

The ornamental design for an expandable collet body, as shown and described.

DESCRIPTION

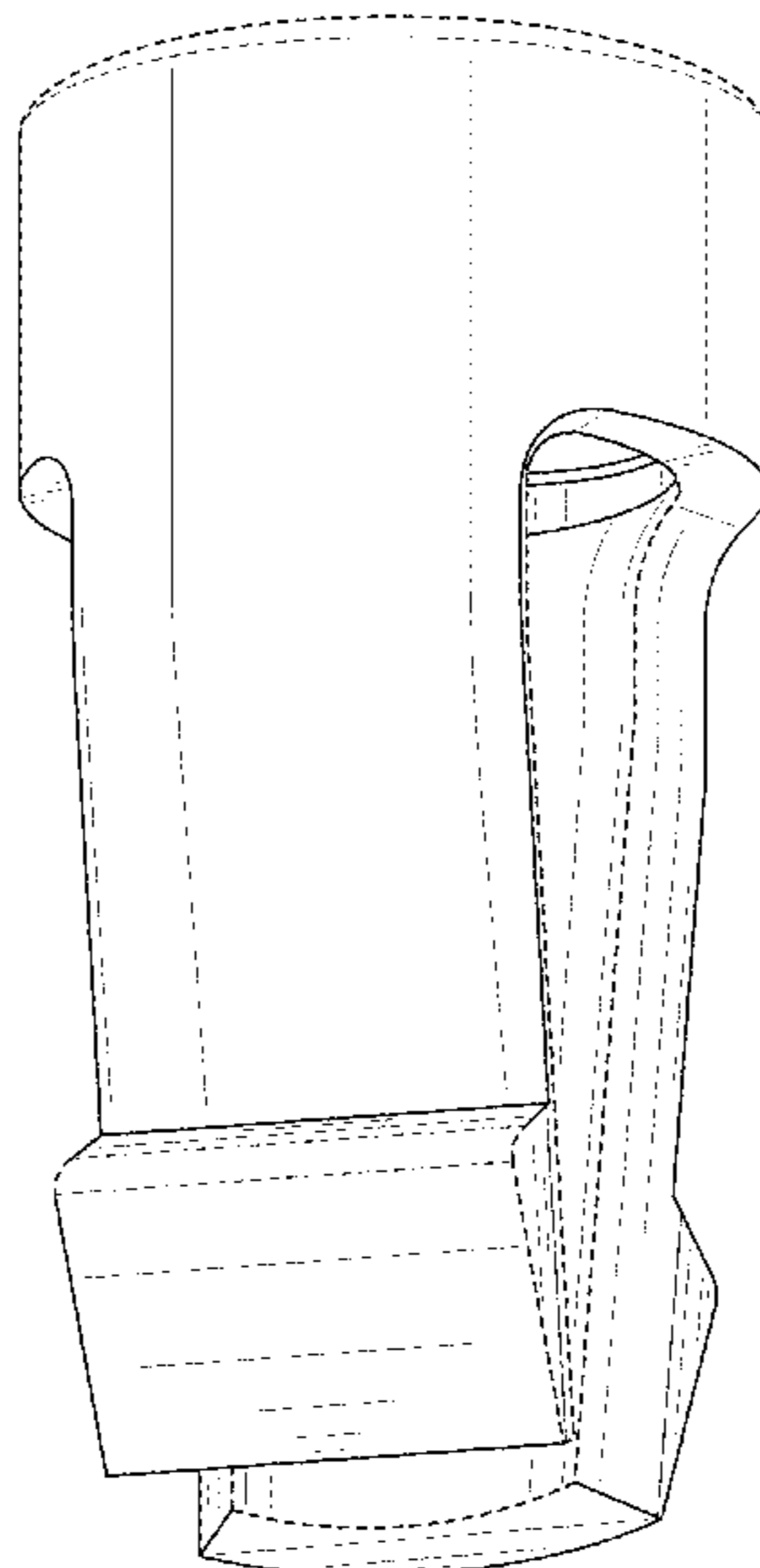
FIG. 1 is a perspective view of an expandable collet body of a single sided fastening system showing my new design; FIG. 2 is a front elevation view thereof, to which the rear elevation view is a mirror image; FIG. 3 is a side elevation view thereof, to which the opposing side elevation view is a mirror image; FIG. 4 is a top plan view thereof; and, FIG. 5 is a bottom plan view thereof. The broken lines in the drawings illustrate portions of the expandable collet body that form no part of the claimed design.

(56) **References Cited**

U.S. PATENT DOCUMENTS

1,978,935 A 10/1934 Douglas
2,370,336 A 2/1945 Wallace
2,379,786 A 7/1945 Bugg et al.
2,649,884 A 8/1953 Westover
2,775,155 A 12/1956 Tompkins et al.
2,936,015 A 5/1960 Rapata
2,994,242 A 8/1961 Buff et al.
3,469,493 A 9/1969 Fisher
3,669,462 A * 6/1972 Parsons B23B 31/202
279/51

1 Claim, 2 Drawing Sheets



(56)

References Cited

U.S. PATENT DOCUMENTS

6,287,044 B1 9/2001 Huber
 D451,112 S * 11/2001 Trybula D15/140
 D455,162 S * 4/2002 Lisowski D15/140
 D455,766 S * 4/2002 Lisowski D15/140
 D489,078 S * 4/2004 Roy D15/140
 7,455,303 B2 * 11/2008 Draudt B23B 31/123
 279/140
 D655,592 S * 3/2012 Baumann D8/70
 D656,805 S * 4/2012 Baumann D8/70
 D684,833 S * 6/2013 Baumann D15/140
 D700,641 S * 3/2014 Kenji D15/140
 D700,642 S * 3/2014 Kenji D15/140
 D705,283 S * 5/2014 Kenji D15/140
 D715,342 S * 10/2014 Fundakowski D15/140
 D721,747 S * 1/2015 Tokura D15/140
 D721,748 S * 1/2015 Tokura D15/140
 D722,091 S * 2/2015 Tokura D15/140
 D774,866 S * 12/2016 Levey D15/140

D793,831 S * 8/2017 Russell D8/70
 D793,832 S * 8/2017 Russell D8/70
 D793,833 S * 8/2017 Russell D8/70
 2005/0169726 A1 8/2005 McClure
 2011/0008124 A1 1/2011 Niklewicz et al.
 2013/0014376 A1 1/2013 Komsitsky et al.
 2013/0089385 A1* 4/2013 Bozkurt B23B 31/02
 408/147
 2017/0248163 A1 8/2017 McClure

FOREIGN PATENT DOCUMENTS

JP H1151018 A 2/1999
 WO 8701419 A1 3/1987

OTHER PUBLICATIONS

McClure, T., "An Ornamental Design for an Expandable Collet Body," U.S. Appl. No. 29/643,313, filed Apr. 6, 2018, 5 pages.

* cited by examiner

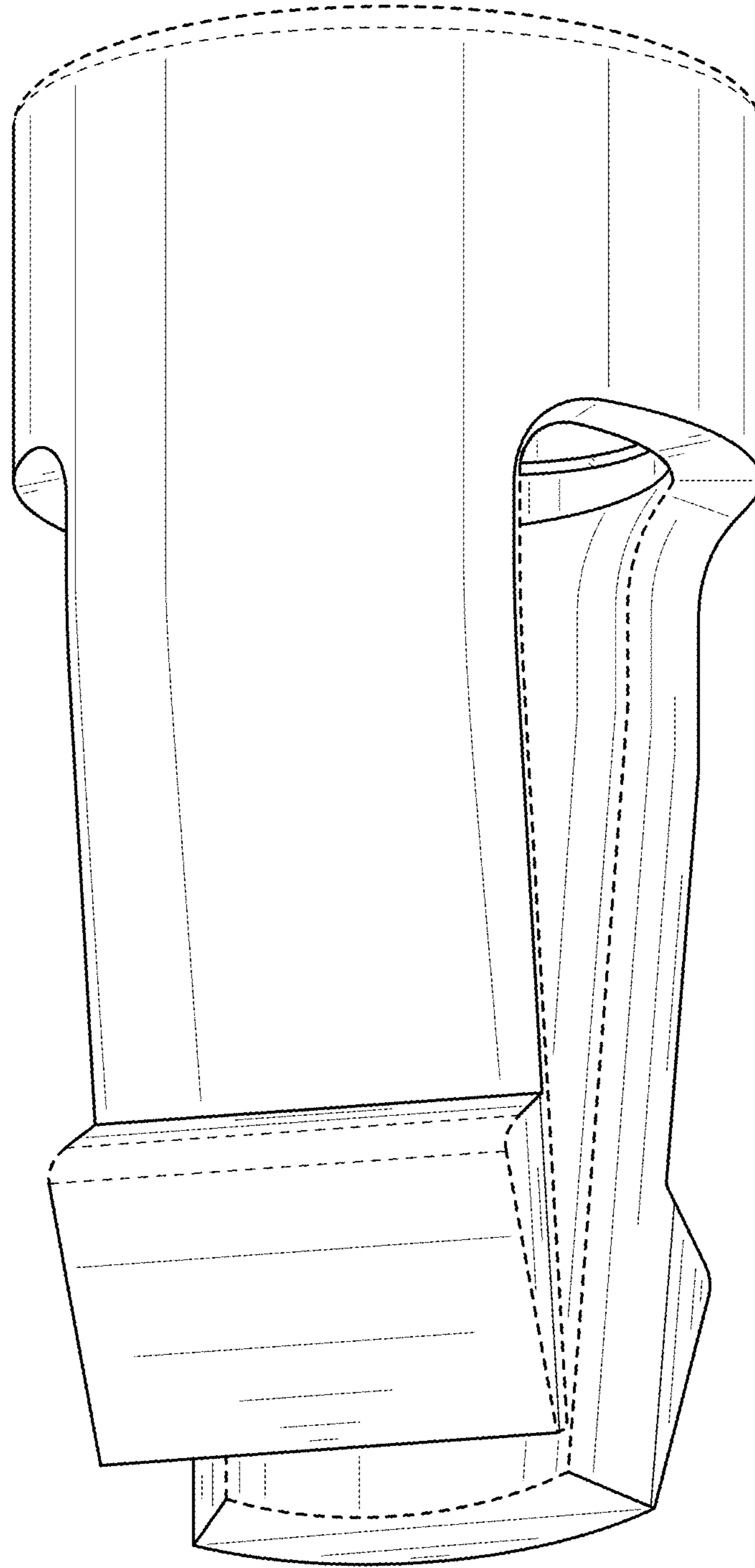


FIG. 1

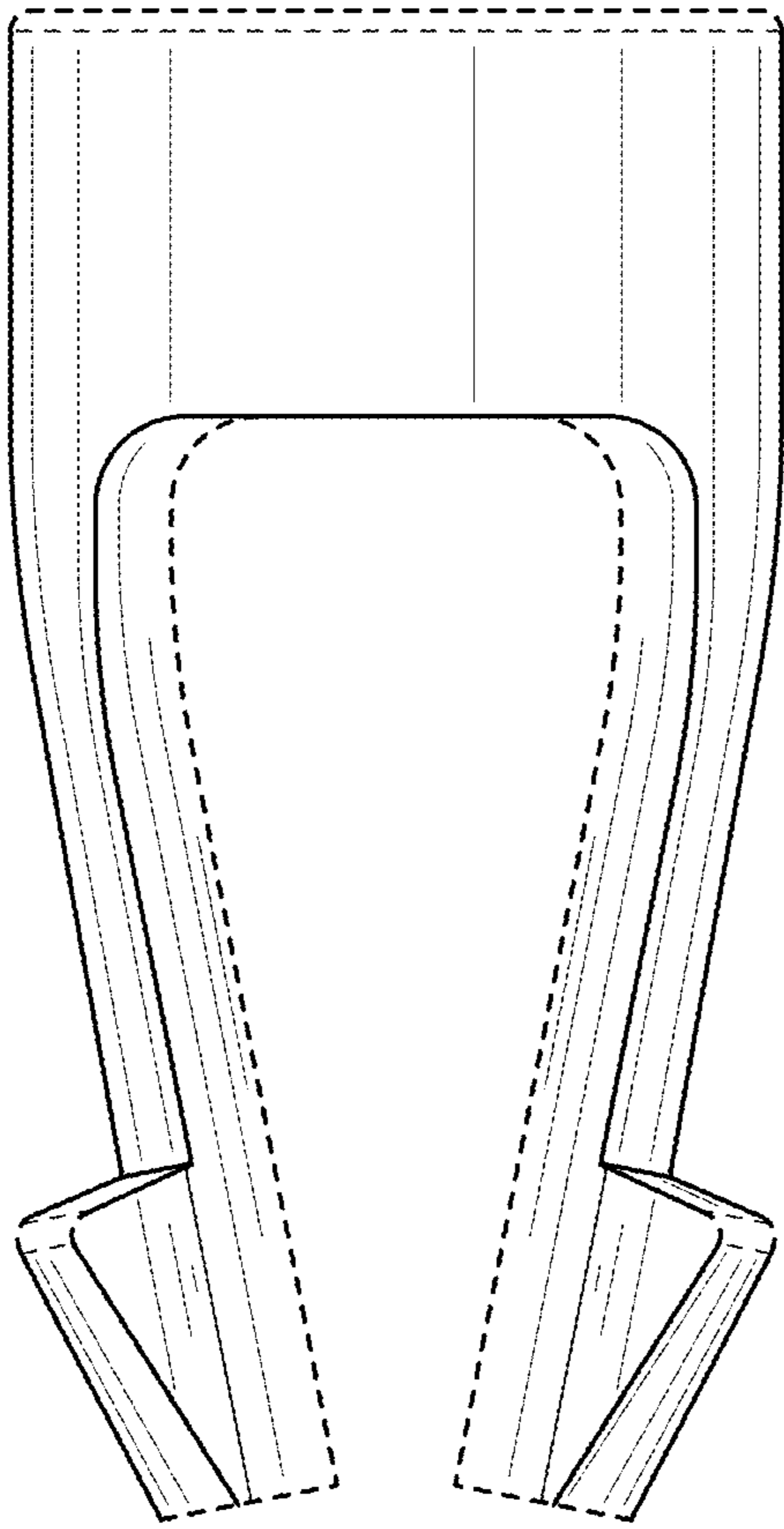


FIG. 2

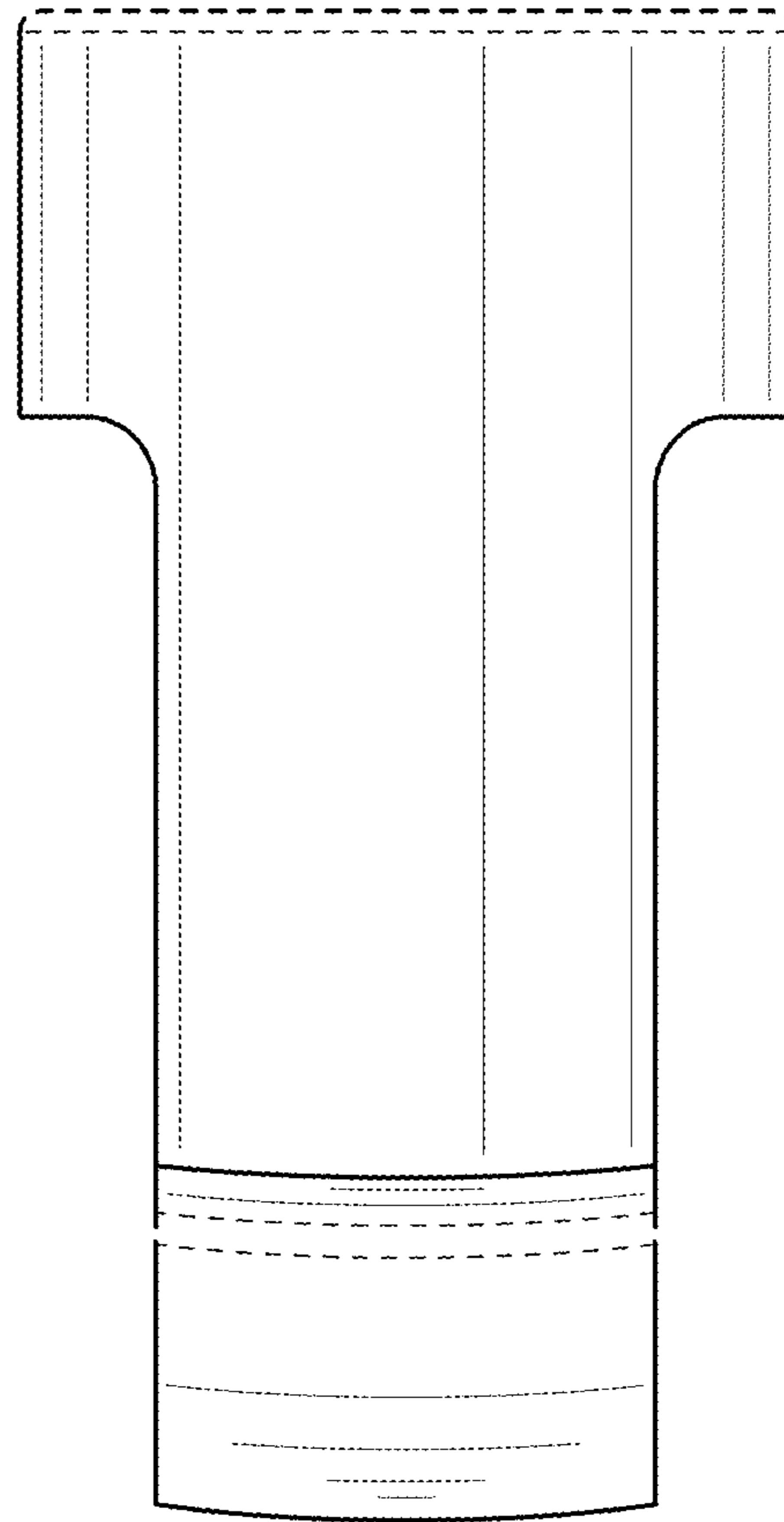


FIG. 3

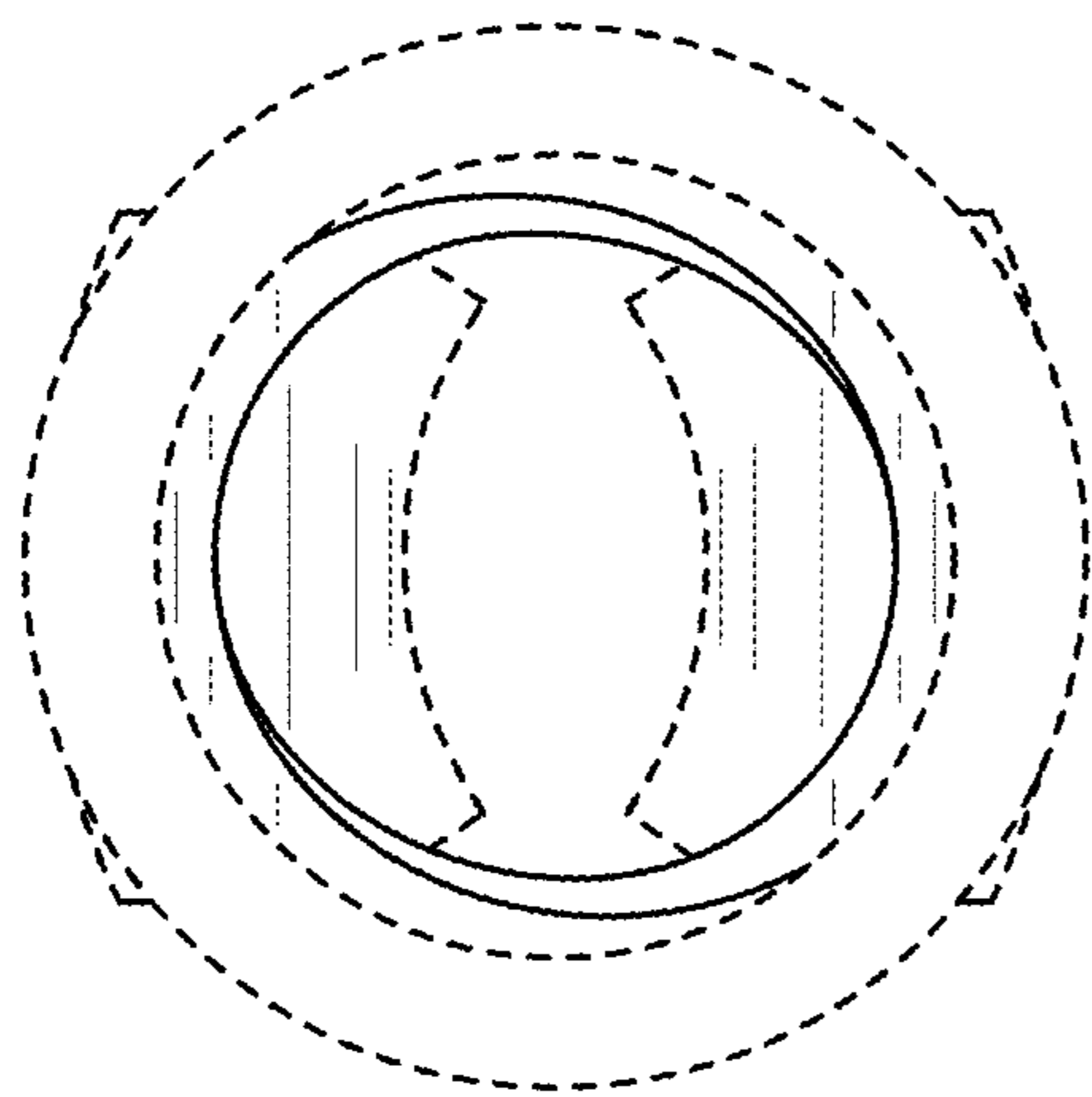


FIG. 4

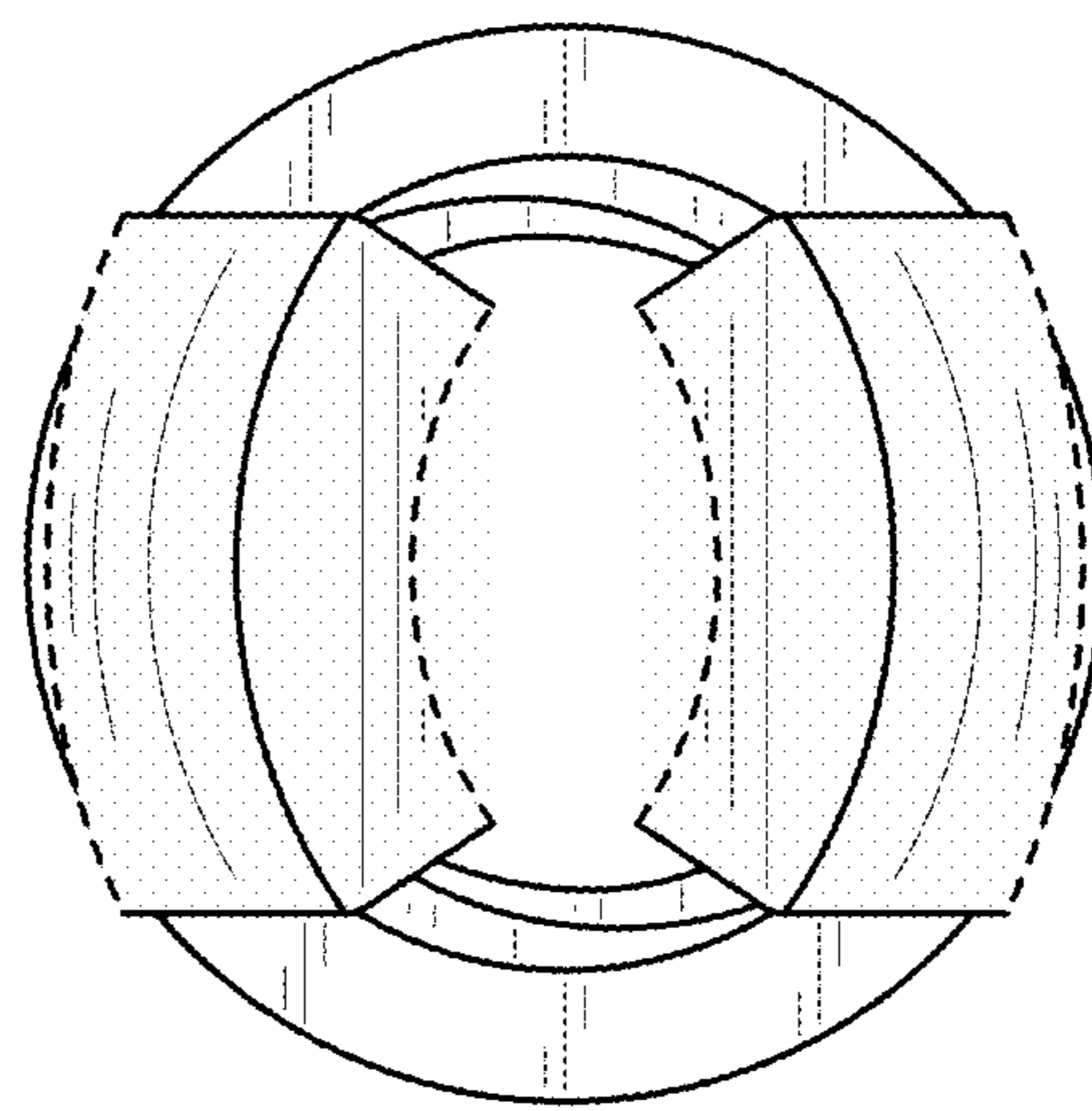


FIG. 5