



US00D871875S

(12) **United States Design Patent**
Paoli

(10) **Patent No.:** **US D871,875 S**

(45) **Date of Patent:** **** Jan. 7, 2020**

(54) **IMPACT WRENCH**

(71) Applicant: **Dino Paoli S.R.L.**, Reggio Emilia (IT)

(72) Inventor: **Patrizia Paoli**, Cadelbosco di Sopra (IT)

(73) Assignee: **Dino Paoli S.r.l.** (IT)

(**) Term: **15 Years**

(21) Appl. No.: **29/631,990**

(22) Filed: **Jan. 4, 2018**

(51) **LOC (12) Cl.** **08-05**

(52) **U.S. Cl.**
USPC **D8/68**

(58) **Field of Classification Search**
USPC D8/61, 67, 68
CPC . B21J 15/043; B21J 15/22; B21J 15/36; B21J 15/326
See application file for complete search history.

(56) **References Cited**

U.S. PATENT DOCUMENTS

D256,980 S *	9/1980	Adams	D8/68
D261,222 S *	10/1981	Bunyea	D8/68
D327,830 S *	7/1992	Fisher	D8/68
D382,184 S *	8/1997	Sung	D8/61
D403,219 S *	12/1998	Bosten	D8/68
D404,276 S *	1/1999	Ghode	D8/68
D461,110 S *	8/2002	Izumisawa	D8/68
D497,787 S *	11/2004	Liao	D8/68
D515,377 S *	2/2006	Chung	D8/68
D525,100 S *	7/2006	Huang	D8/68
D605,490 S *	12/2009	Aglassinger	D8/68
D657,222 S *	4/2012	Steinfels	D8/68

D664,413 S *	7/2012	Steinfels	D8/68
D678,025 S *	3/2013	Naksen	D8/68
D684,028 S *	6/2013	Costoli	173/90
D691,444 S *	10/2013	Tirone	D8/68
D700,820 S *	3/2014	Cooper	D8/68
D700,822 S *	3/2014	Tschopp	D8/68
D707,522 S *	6/2014	Naksen	D8/68
D713,703 S *	9/2014	Wang	D8/68
D716,125 S *	10/2014	Yaschur	D8/68
D774,860 S *	12/2016	Colin	D8/68
D774,863 S *	12/2016	Naksen	D8/68
D775,919 S *	1/2017	Lee	D8/68
D801,773 S *	11/2017	Nystrom	D8/68

* cited by examiner

Primary Examiner — Darlington Ly

(74) *Attorney, Agent, or Firm* — Laubscher & Laubscher, P.C.

(57) **CLAIM**

The ornamental design for an impact wrench, as shown.

DESCRIPTION

FIG. 1 is a front perspective view of an impact wrench showing my new design;

FIG. 2 is a bottom perspective view thereof;

FIG. 3 is a front elevation view thereof;

FIG. 4 is a rear elevation view thereof;

FIG. 5 is a right side elevation view thereof;

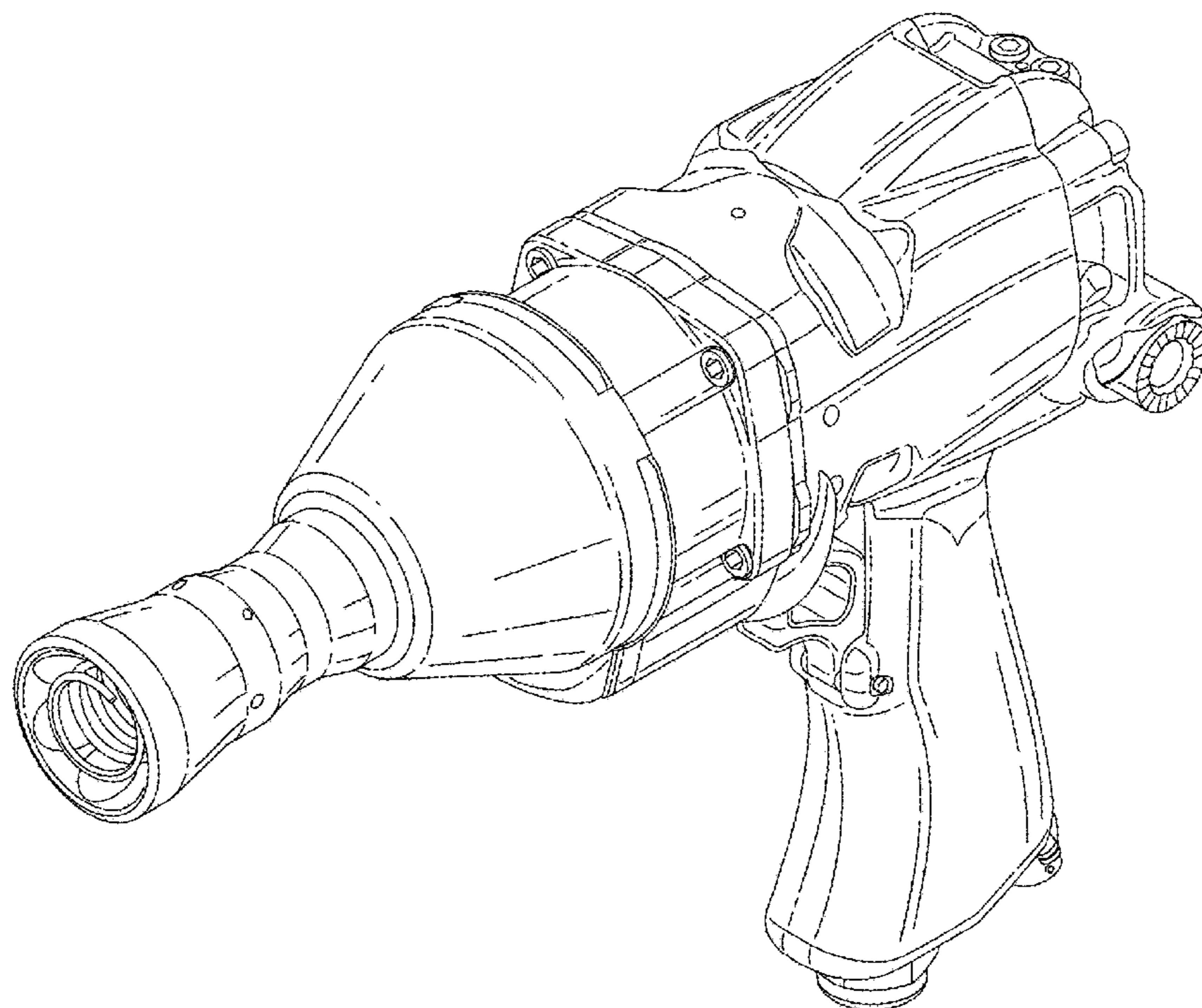
FIG. 6 is a left side elevation view thereof;

FIG. 7 is a top plan view thereof; and,

FIG. 8 is a bottom plan view thereof.

The broken lines in the drawings illustrate portions of the impact wrench that form no part of the claimed design.

1 Claim, 7 Drawing Sheets



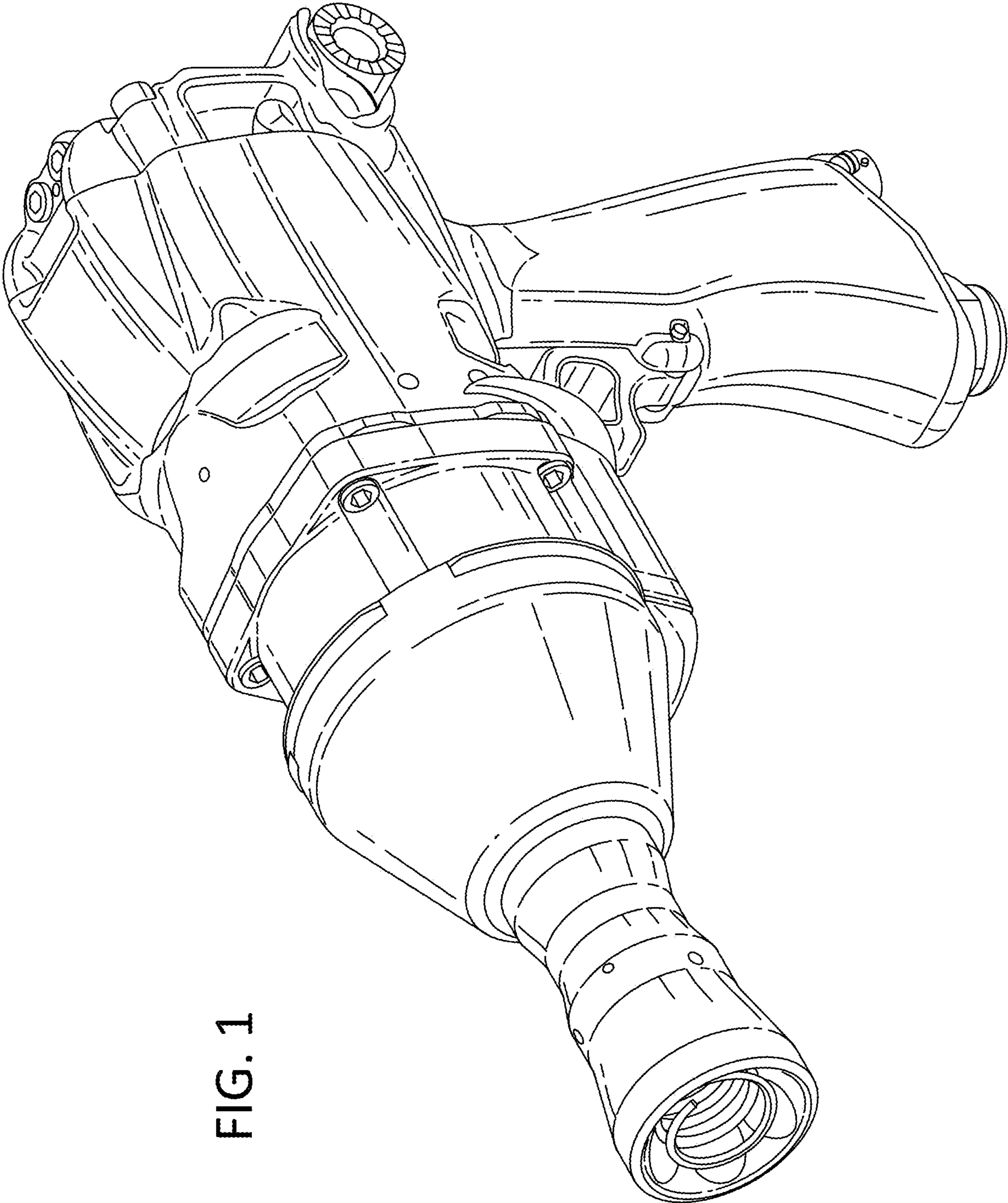


FIG. 1

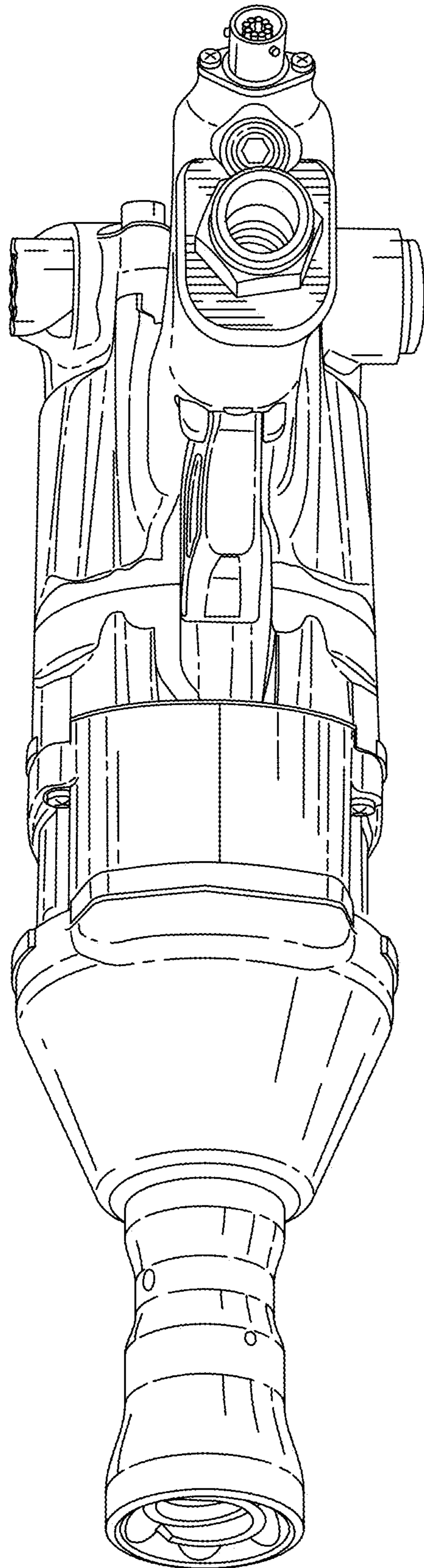


FIG. 2

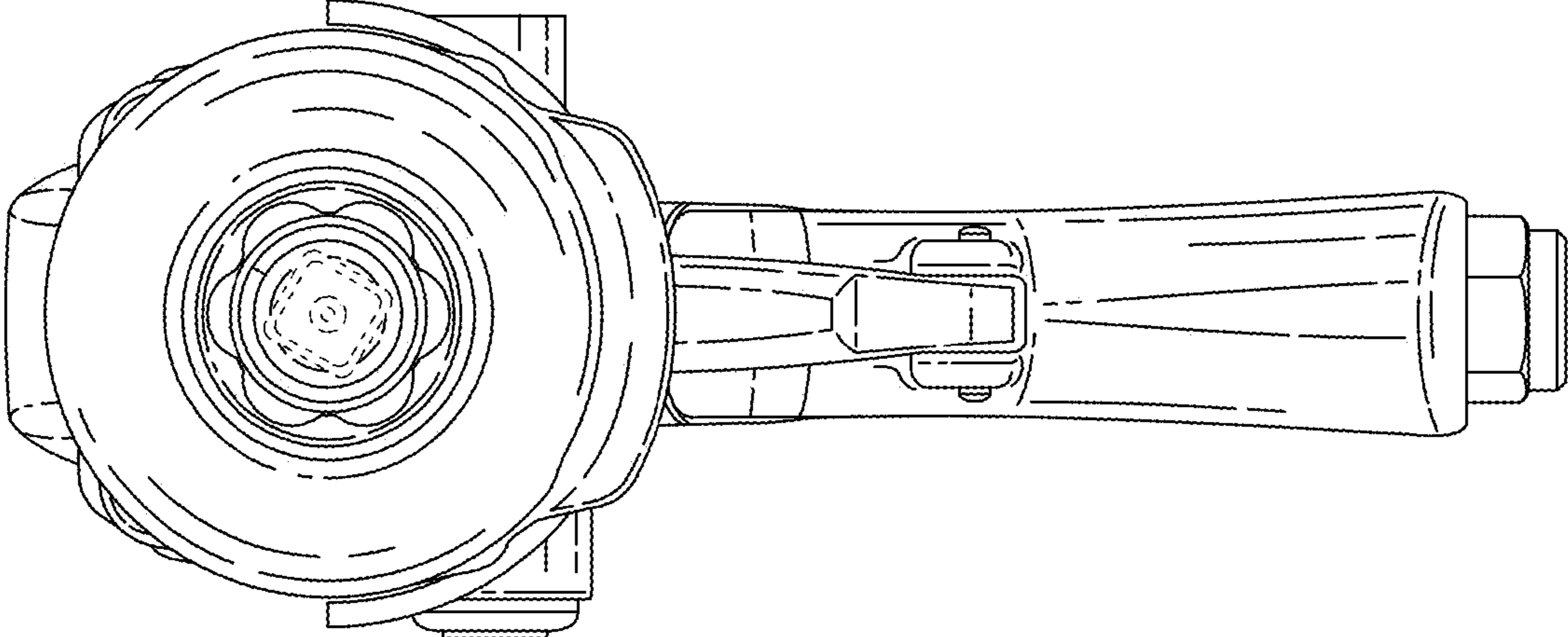


FIG. 3

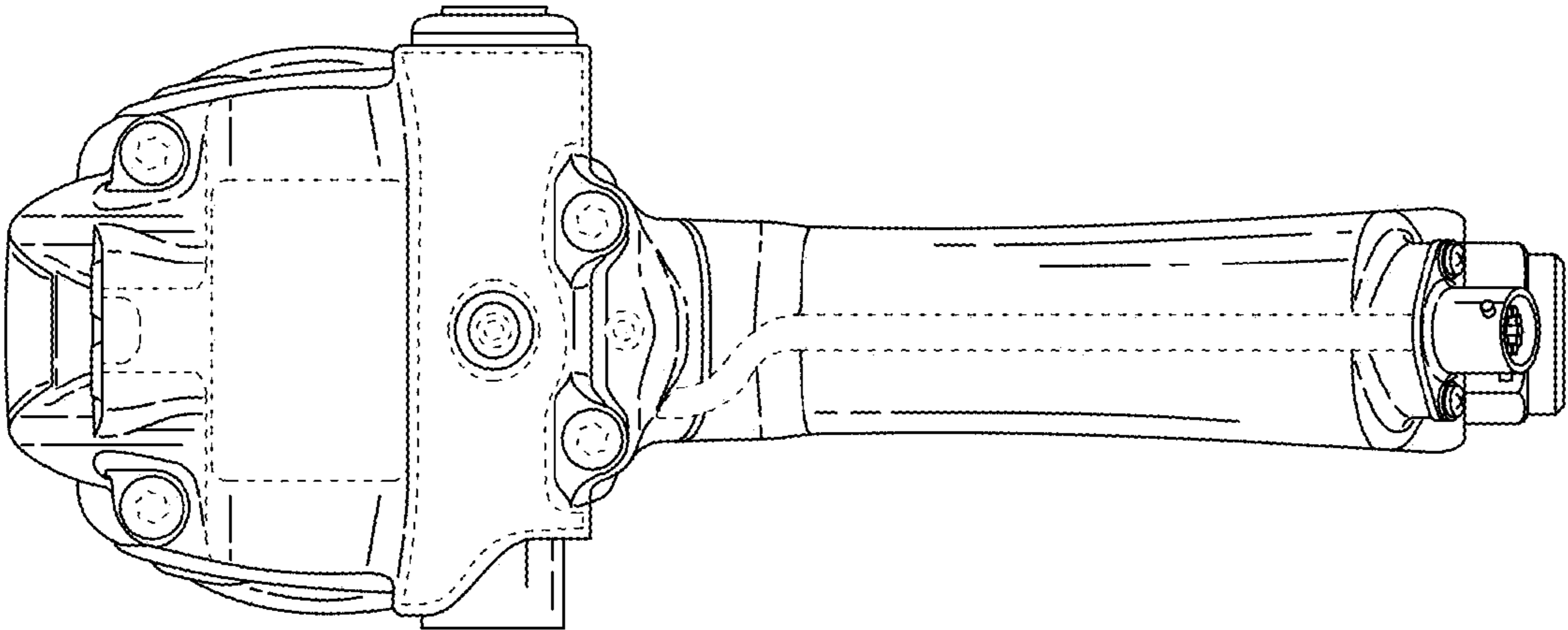


FIG. 4

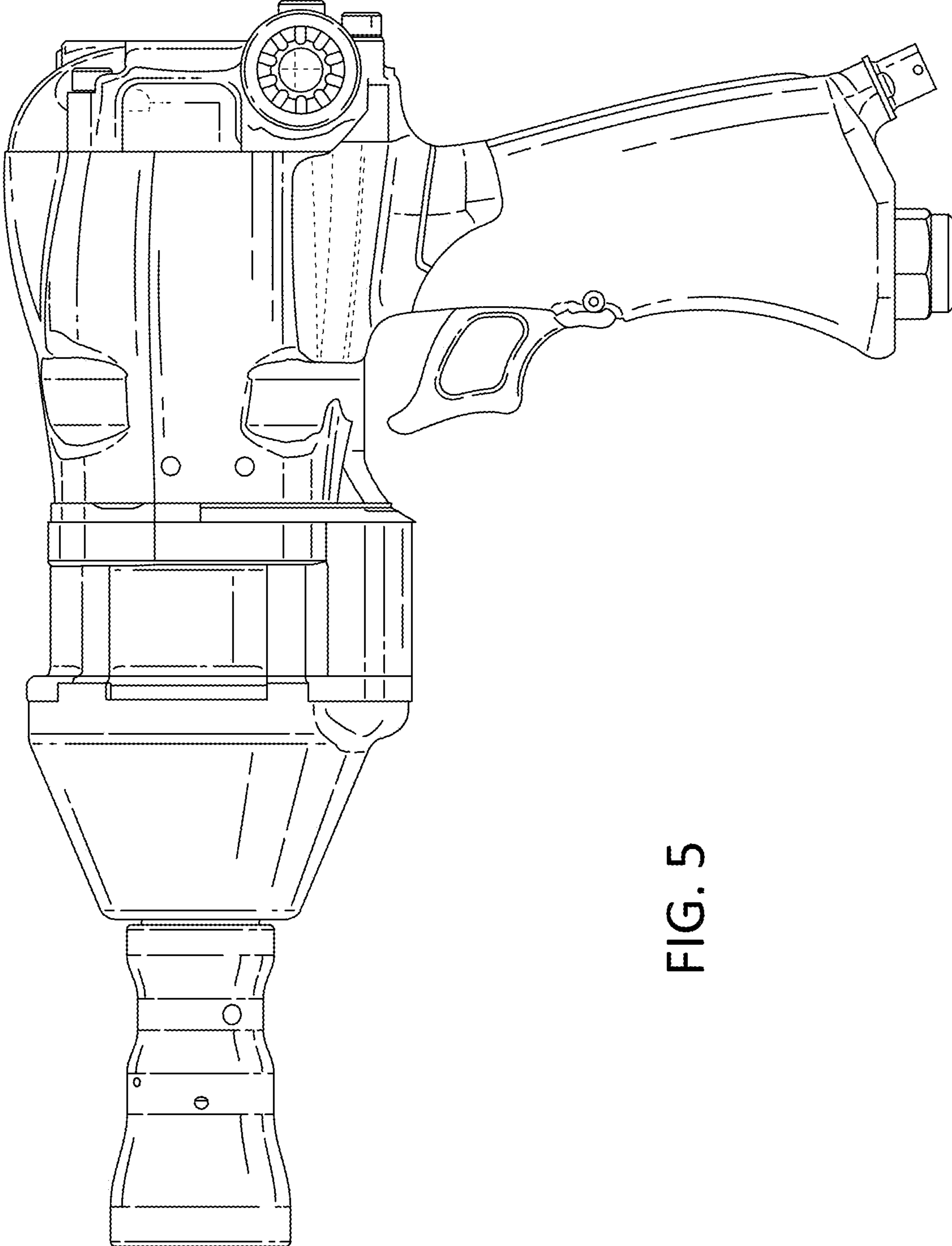


FIG. 5

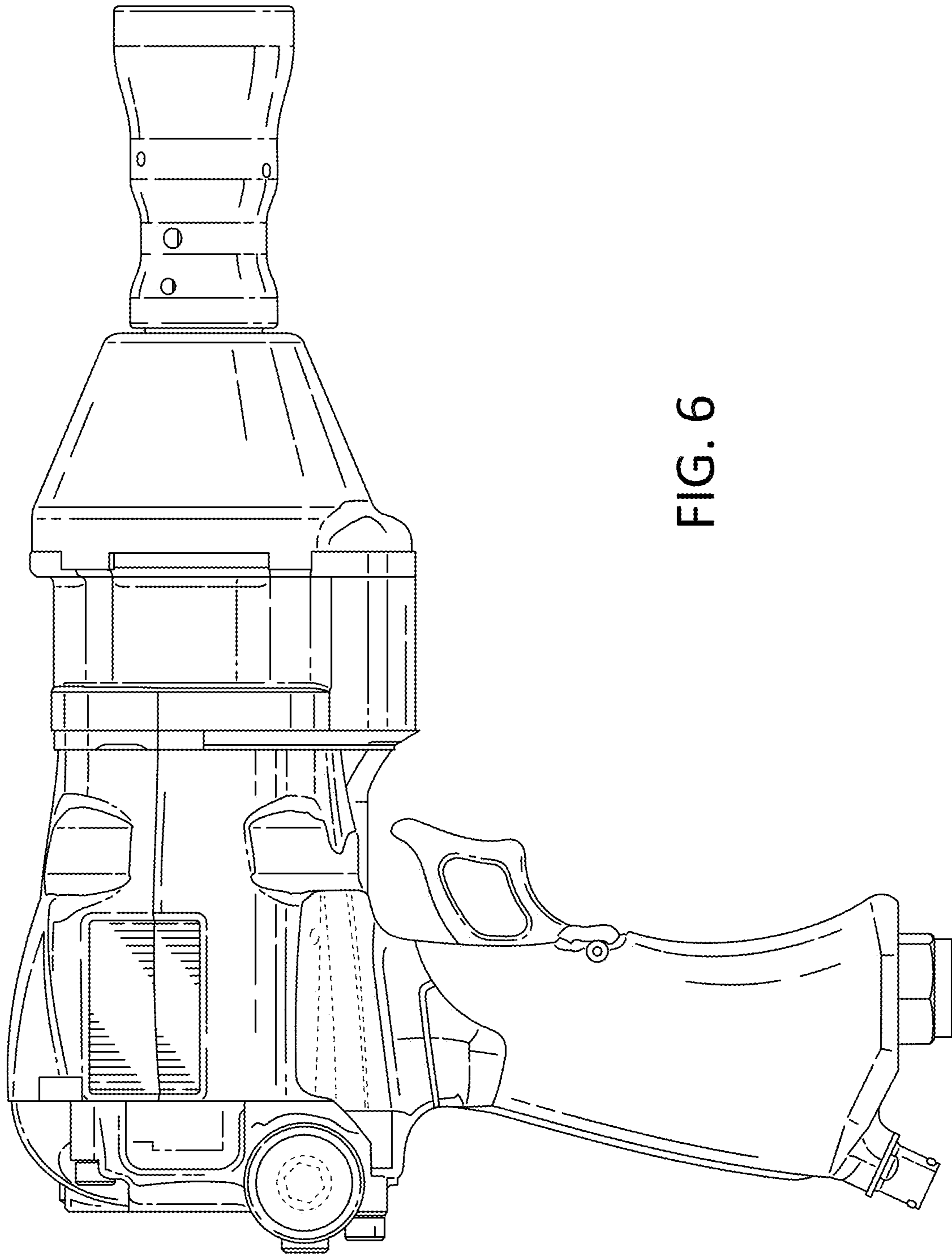


FIG. 6

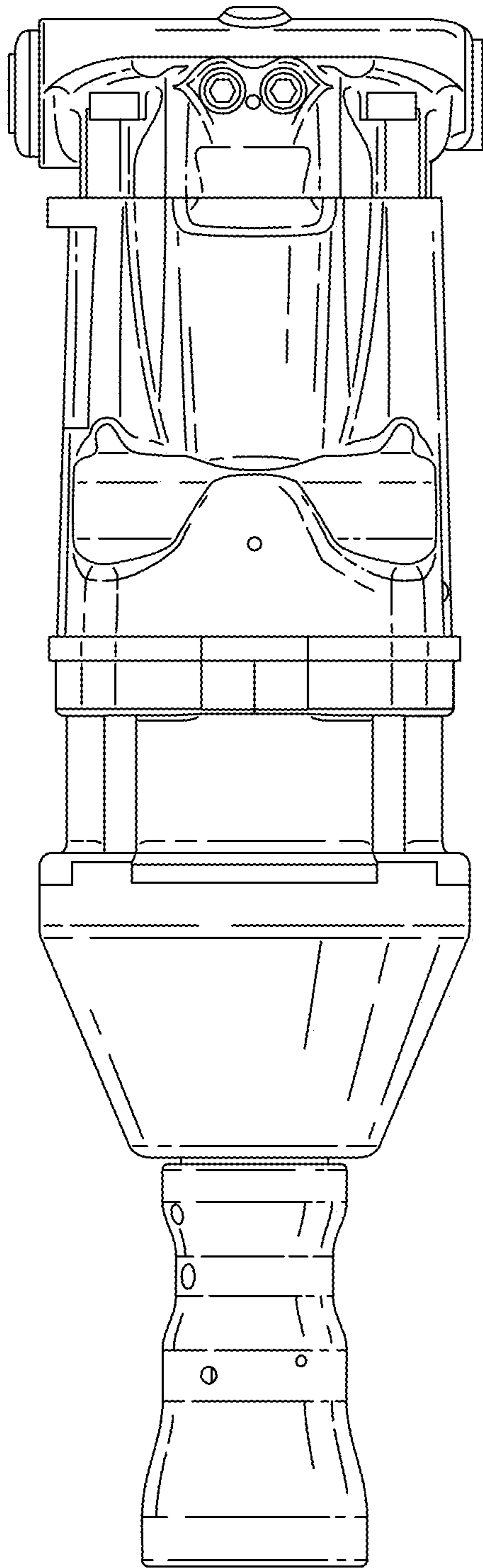


FIG. 7

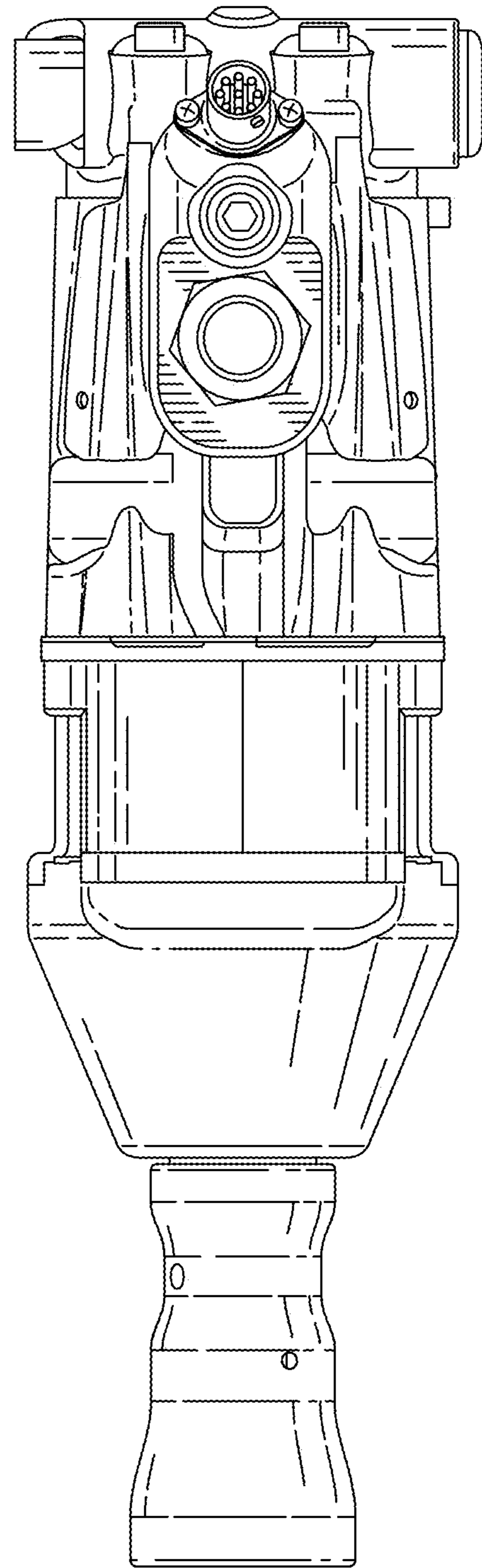


FIG. 8