



US00D871874S

(12) **United States Design Patent**
Wang

(10) **Patent No.:** **US D871,874 S**

(45) **Date of Patent:** **** Jan. 7, 2020**

(54) **STAPLE REMOVER**

(71) Applicant: **Yun L. Wang**, Henderson, NV (US)

(72) Inventor: **Yun L. Wang**, Henderson, NV (US)

(**) Term: **15 Years**

(21) Appl. No.: **29/644,061**

(22) Filed: **Apr. 13, 2018**

(51) **LOC (12) Cl.** **08-05**

(52) **U.S. Cl.**
USPC **D8/48**

(58) **Field of Classification Search**
USPC D8/98, 107, 102, 103, 104, 48, 99, 41;
D19/65, 36

CPC B25C 11/00; B25C 5/13; B25C 5/15
See application file for complete search history.

(56) **References Cited**

U.S. PATENT DOCUMENTS

| | | | | | |
|-----------|------|---------|-----------|-------|----------------------|
| 2,079,672 | A * | 5/1937 | Allen | | B25C 11/02 254/28 |
| 3,143,800 | A * | 8/1964 | Vizzi | | B25C 11/02 30/261 |
| 3,494,591 | A * | 2/1970 | Fairchild | | B25C 11/02 254/28 |
| 3,764,108 | A * | 10/1973 | Dahlin | | B25C 11/02 254/28 |
| D404,272 | S * | 1/1999 | Courtenay | | D8/48 |
| 5,938,178 | A * | 8/1999 | Oh | | B25C 11/02 254/28 |
| 6,349,923 | B1 * | 2/2002 | Goodell | | B25C 11/02 254/28 |

| | | | | | |
|-----------|------|---------|---------|-------|----------------------|
| D463,724 | S * | 10/2002 | Jacquet | | D8/48 |
| D490,287 | S * | 5/2004 | Bodum | | D8/48 |
| 7,090,198 | B1 * | 8/2006 | Gurmu | | B25C 11/02 254/28 |
| D596,010 | S * | 7/2009 | Cheldin | | D8/104 |
| D645,314 | S * | 9/2011 | Yuan | | D8/48 |
| 8,083,211 | B2 * | 12/2011 | Marks | | B25C 11/02 254/28 |

* cited by examiner

Primary Examiner — Janice Hallmark

Assistant Examiner — Harold E Blackwell, II

(74) *Attorney, Agent, or Firm* — Weiss & Moy, P.C.;
Jeffrey D. Moy

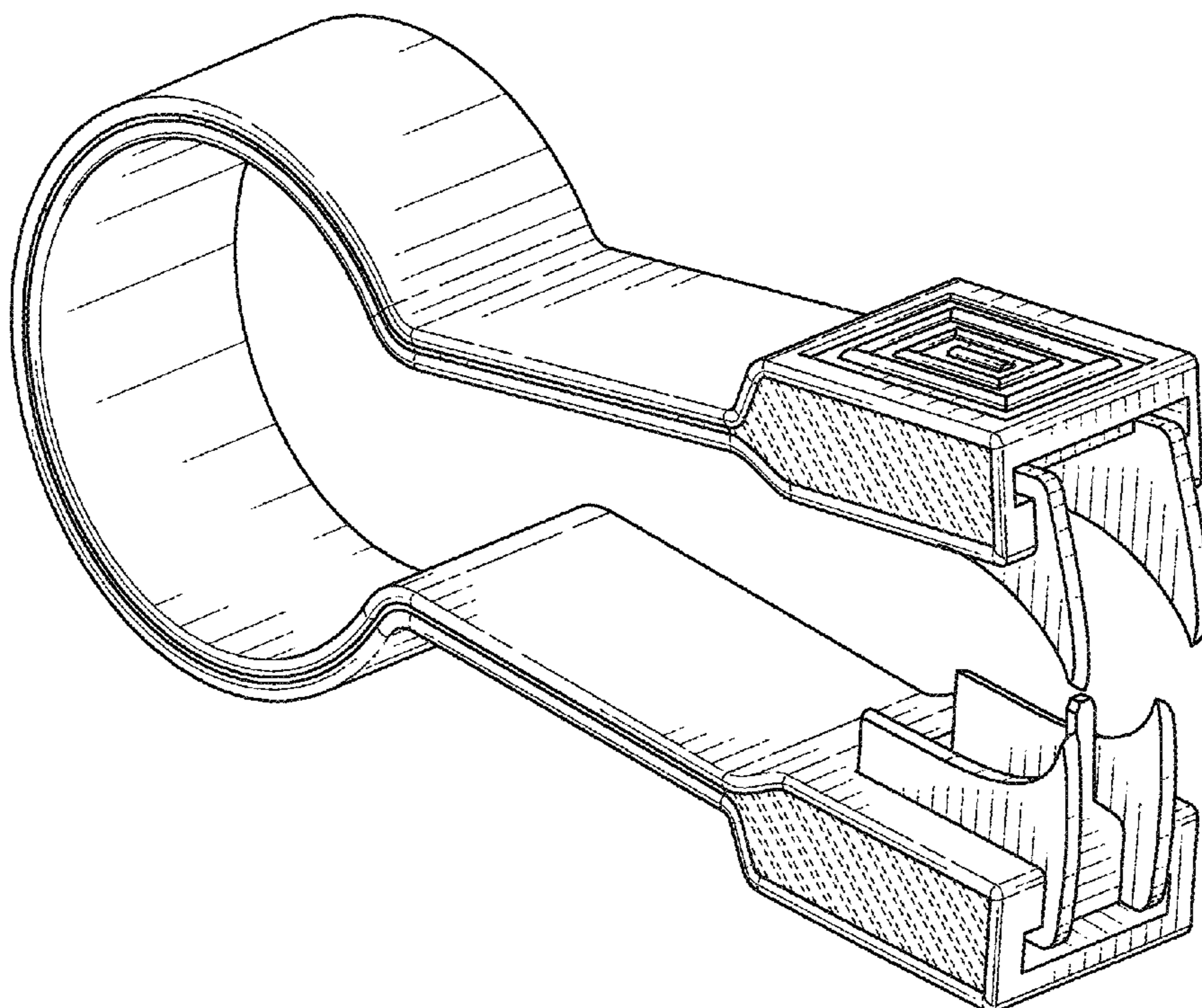
(57) **CLAIM**

The ornamental design for a staple remover, as shown and described.

DESCRIPTION

FIG. 1 is a perspective view of a staple remover;
FIG. 2 is a front view of the staple remover;
FIG. 3 is a rear view of the staple remover;
FIG. 4 is a left-side view of the staple remover, the right side being a minor image thereof;
FIG. 5 is a top view of the staple remover; and,
FIG. 6 is a bottom view of the staple remover.
The broken lines in the drawings depict portions of the staple remover that form no part of the claimed design.

1 Claim, 3 Drawing Sheets



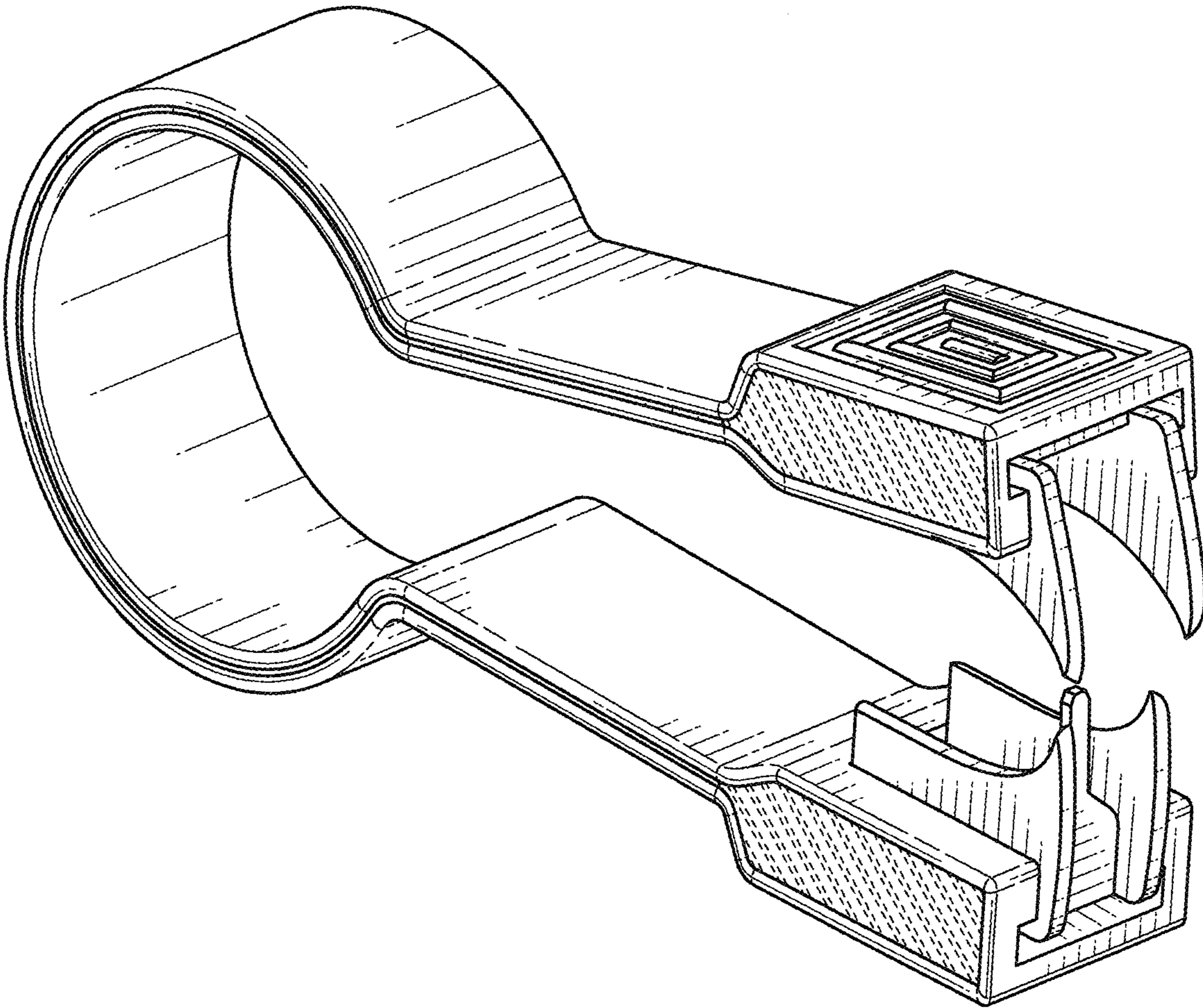


FIG. 1

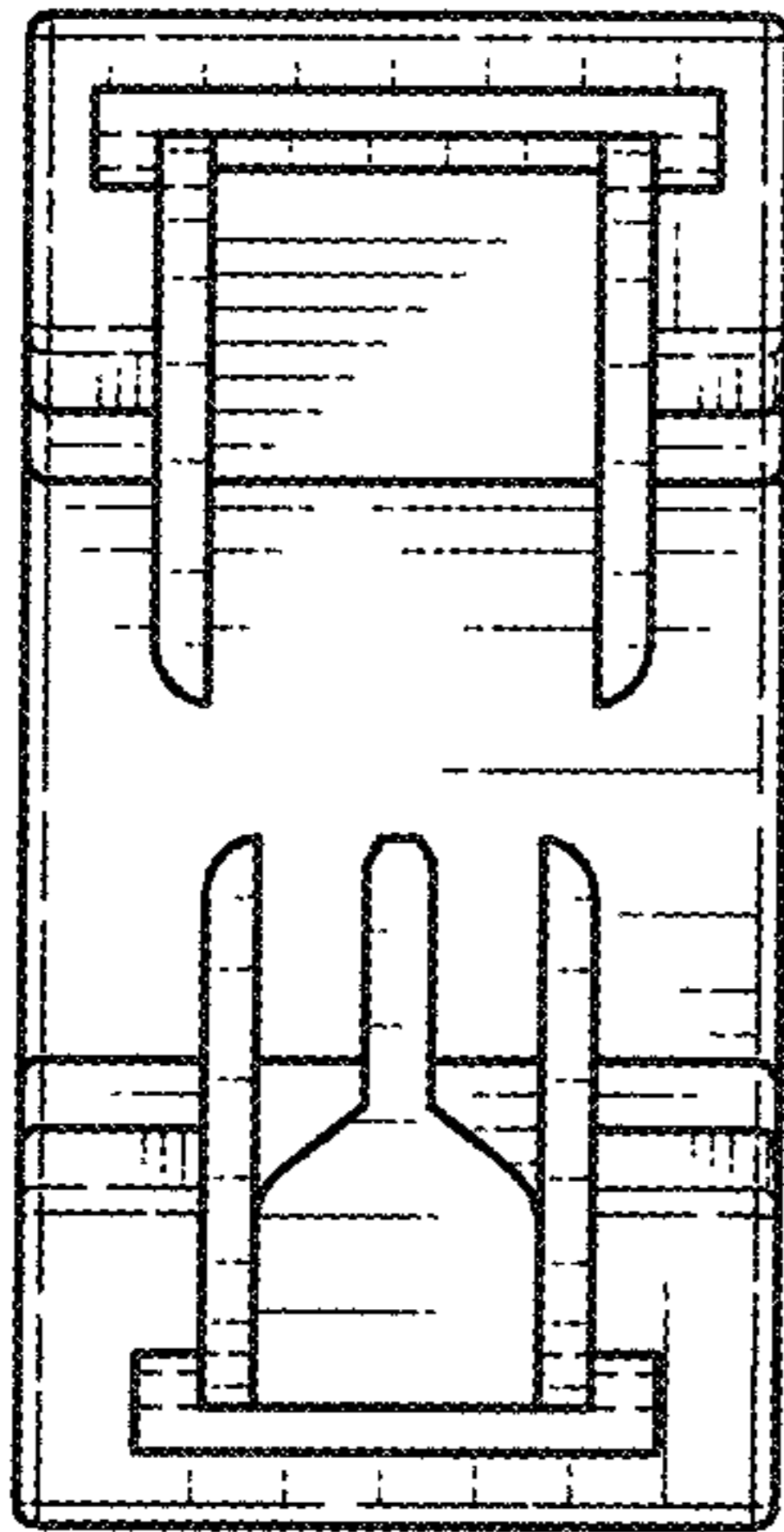


FIG. 2

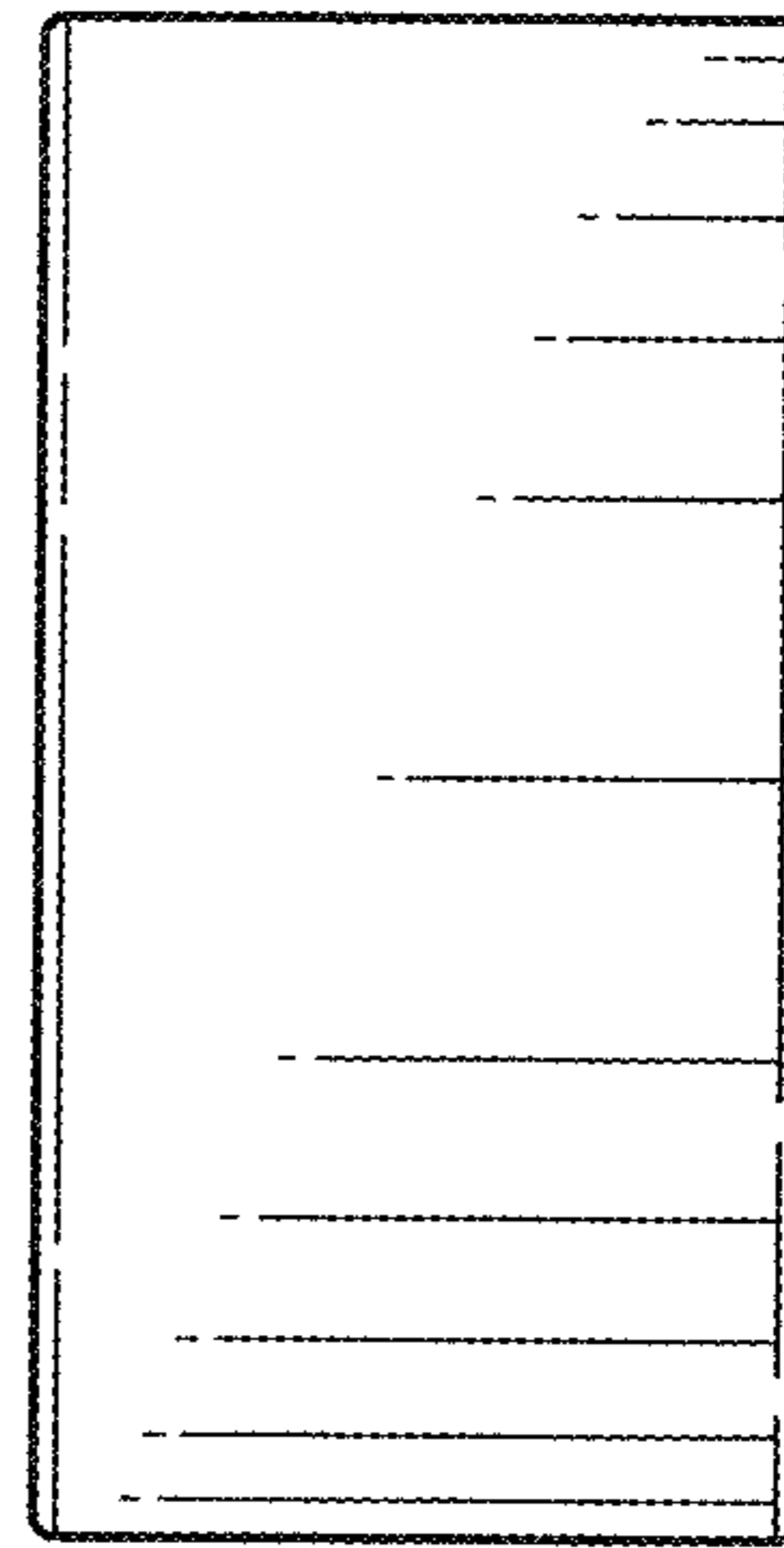


FIG. 3

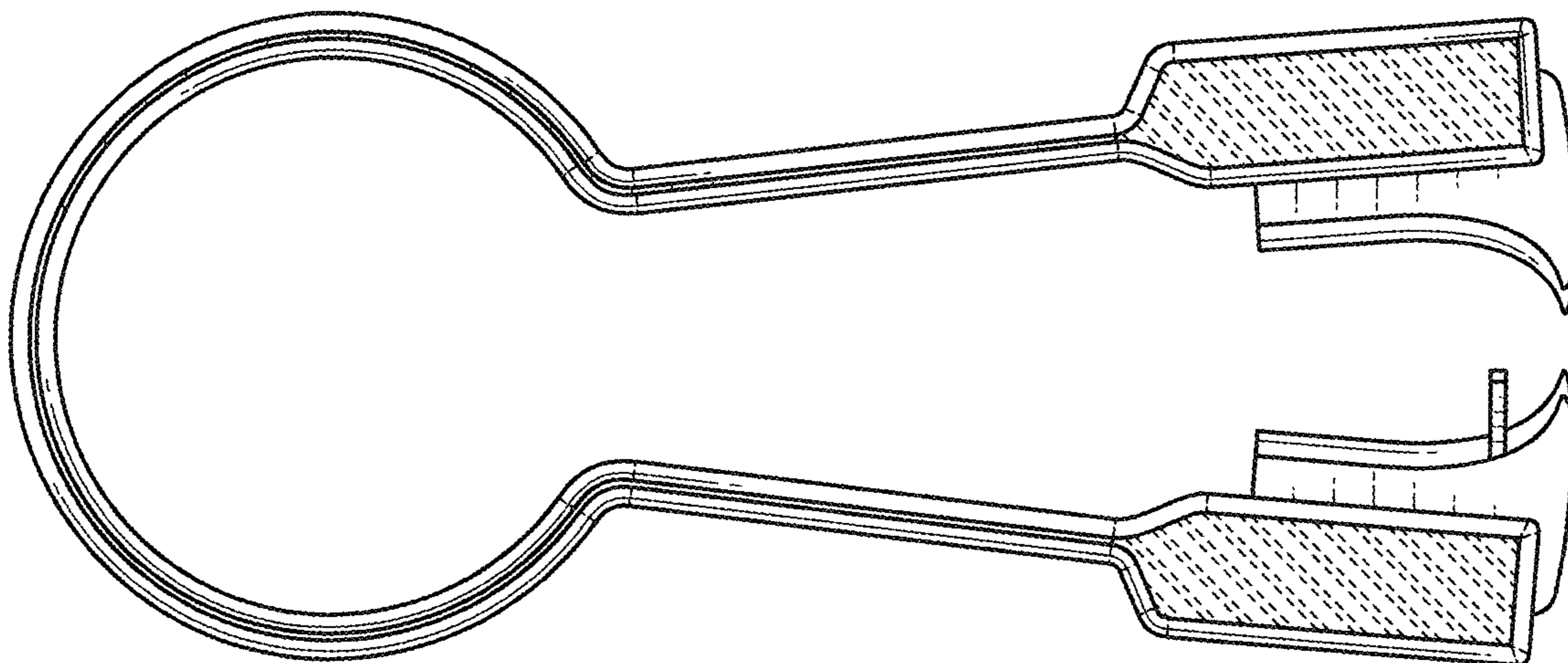


FIG. 4

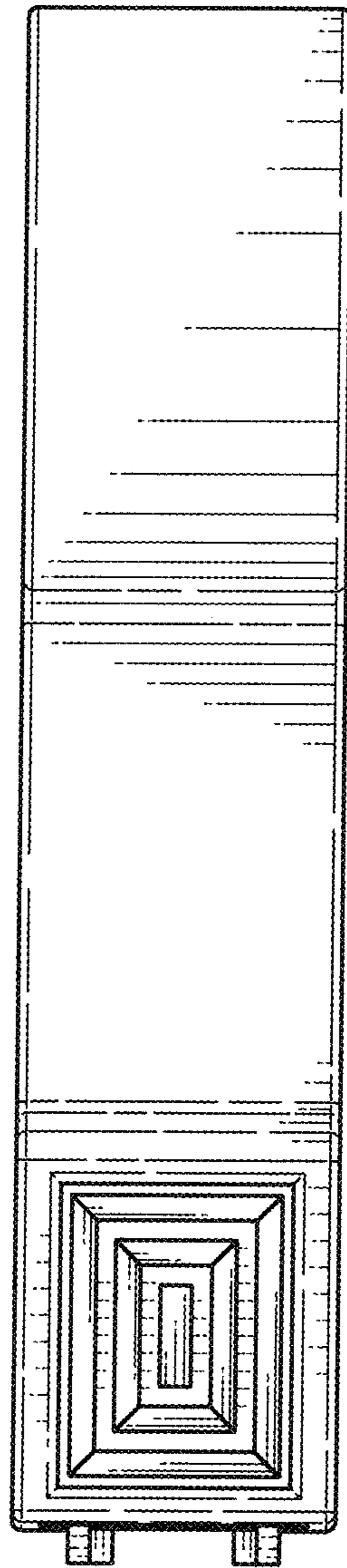


FIG. 5

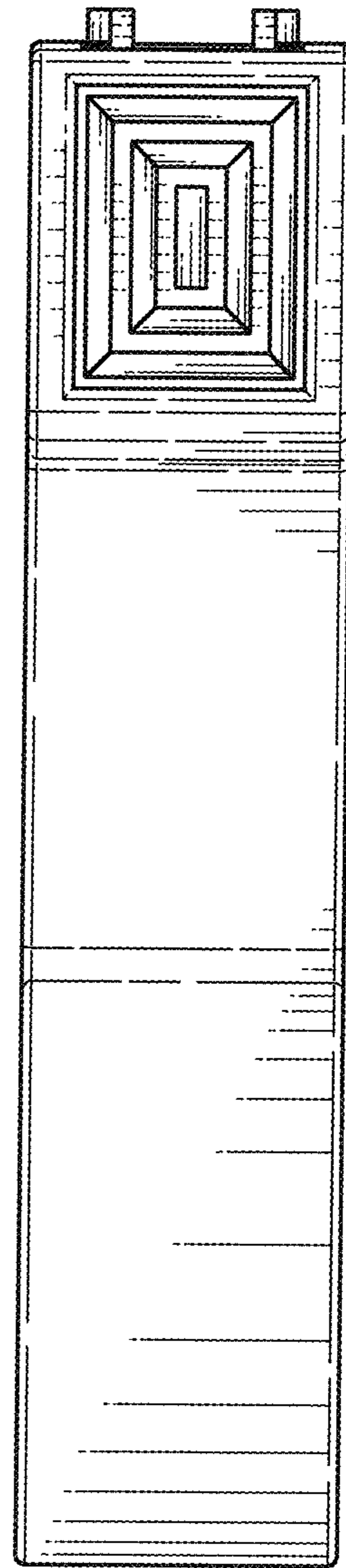


FIG. 6