



US00D871871S

(12) **United States Design Patent**
Yang et al.

(10) **Patent No.:** **US D871,871 S**

(45) **Date of Patent:** **** Jan. 7, 2020**

- (54) **CORDLESS HEAT GUN**
- (71) Applicant: **Zhejiang Prulde Electric Appliance Co., Ltd., Jinhua (CN)**
- (72) Inventors: **Weiming Yang, Jinhua (CN); Ting Han, Jinhua (CN)**
- (73) Assignee: **Zhejiang Prulde Electric Appliance Co., Ltd, Jinhua, Zhejiang (TW)**
- (**) Term: **15 Years**
- (21) Appl. No.: **29/655,956**
- (22) Filed: **Jul. 9, 2018**
- (51) **LOC (12) Cl.** **08-05**
- (52) **U.S. Cl.**
USPC **D8/29.1**
- (58) **Field of Classification Search**
USPC D8/29.1, 29.2, 30, 61, 67, 68; D28/13
CPC A45D 20/08; A45D 20/10; F24H 3/00;
F24H 3/0423; F16M 13/00
See application file for complete search history.

- D552,443 S * 10/2007 Aglassinger D8/29.1
- D615,835 S * 5/2010 Netzler D8/29.1
- D639,129 S * 6/2011 Van Wambeke D8/29.1
- D641,220 S * 7/2011 Shi D8/29.1
- D655,994 S * 3/2012 Schoch D8/68
- D664,820 S * 8/2012 Furling D8/29.1
- D740,629 S * 10/2015 Furling D8/29.1
- D803,649 S * 11/2017 van der Rest D8/68
- D846,963 S * 4/2019 van der Rest D8/68

* cited by examiner

Primary Examiner — Philip S Hyder

(74) *Attorney, Agent, or Firm* — Muncy, Geissler, Olds & Lowe, P.C.

(57) **CLAIM**

The ornamental design for a cordless heat gun, as shown and described.

DESCRIPTION

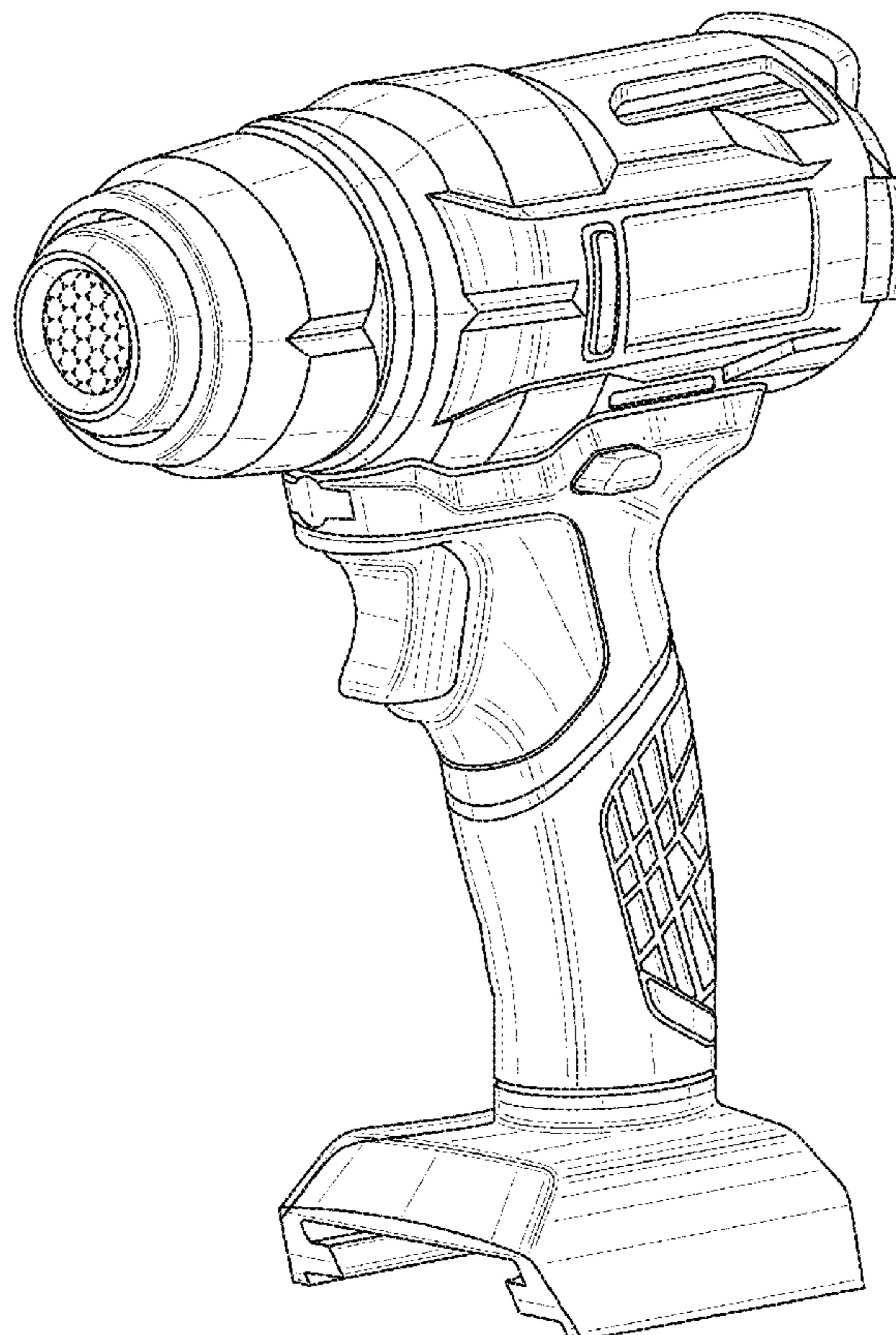
FIG. 1 is a front, right side view of a cordless heat gun showing our new design;
 FIG. 2 is a right, side view thereof;
 FIG. 3 is a left, side view thereof;
 FIG. 4 is a front view thereof;
 FIG. 5 is a rear view thereof;
 FIG. 6 is a top plan view thereof; and,
 FIG. 7 is a bottom plan view thereof.
 The broken lines illustrate portions of the cordless heat gun and form no part of the claimed design.

1 Claim, 7 Drawing Sheets

(56) **References Cited**

U.S. PATENT DOCUMENTS

- D457,407 S * 5/2002 Pretzell D8/29.1
- D481,277 S * 10/2003 Waldron D8/29.1
- D516,883 S * 3/2006 Popov D8/29.1



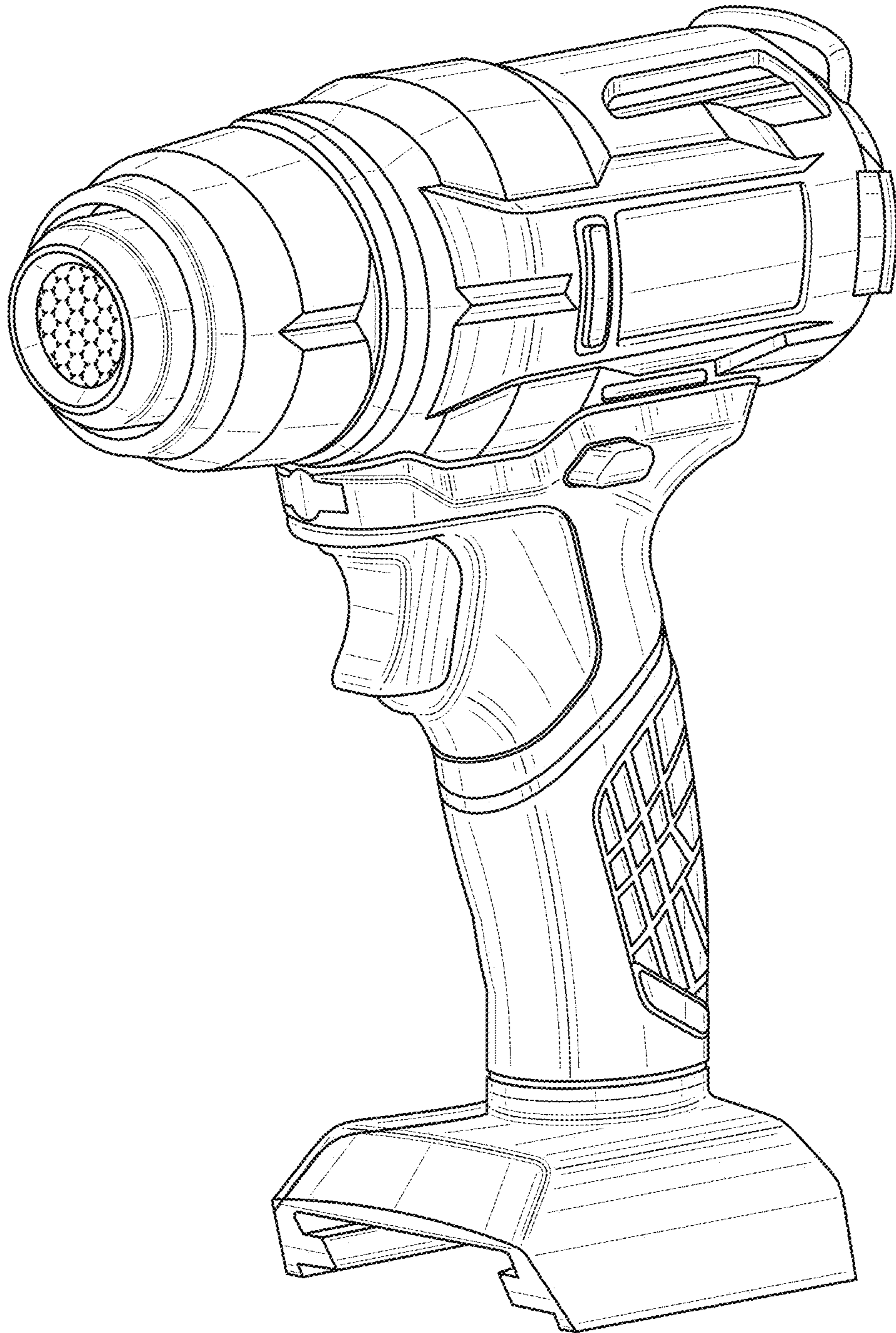


FIG. 1

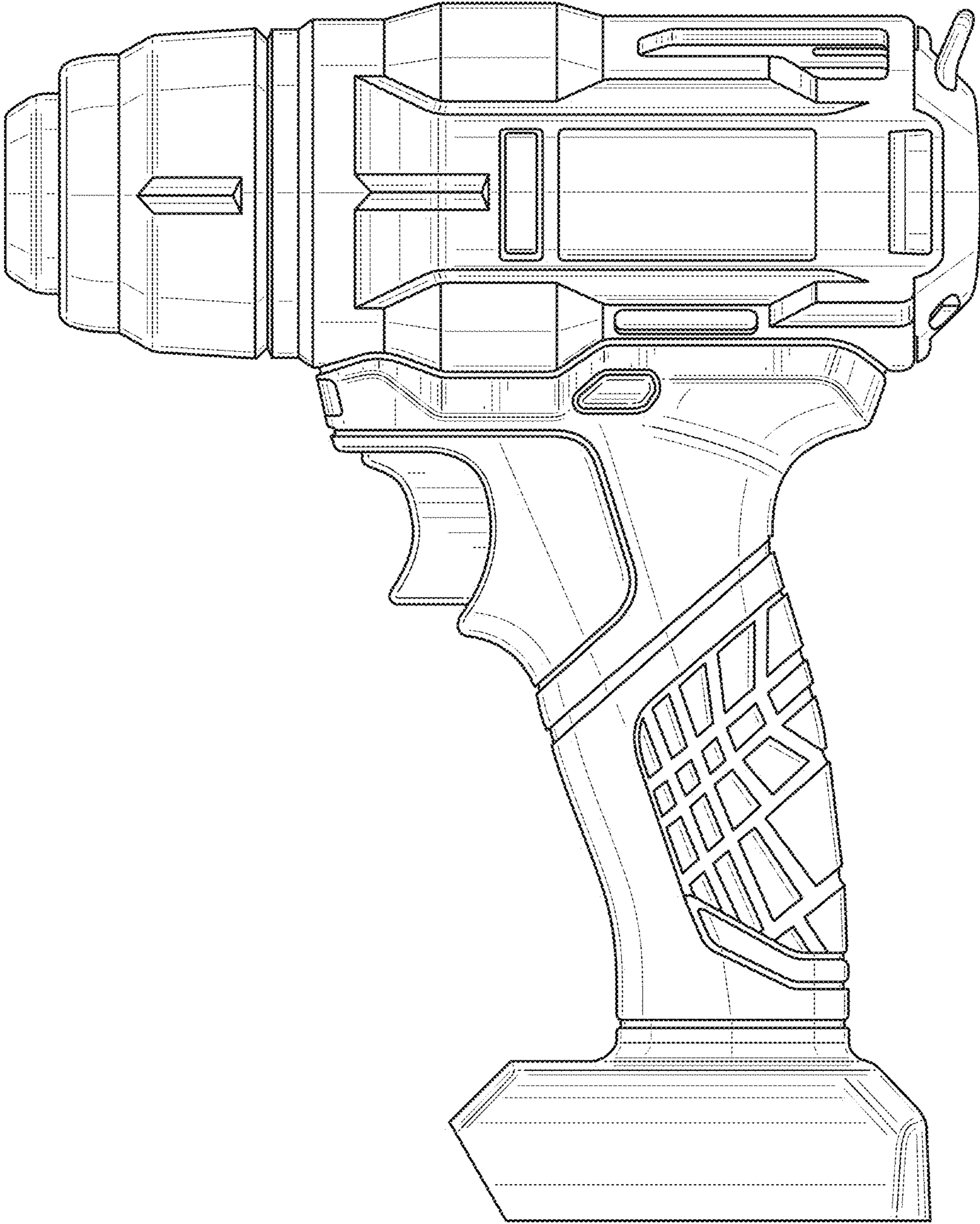


FIG. 2

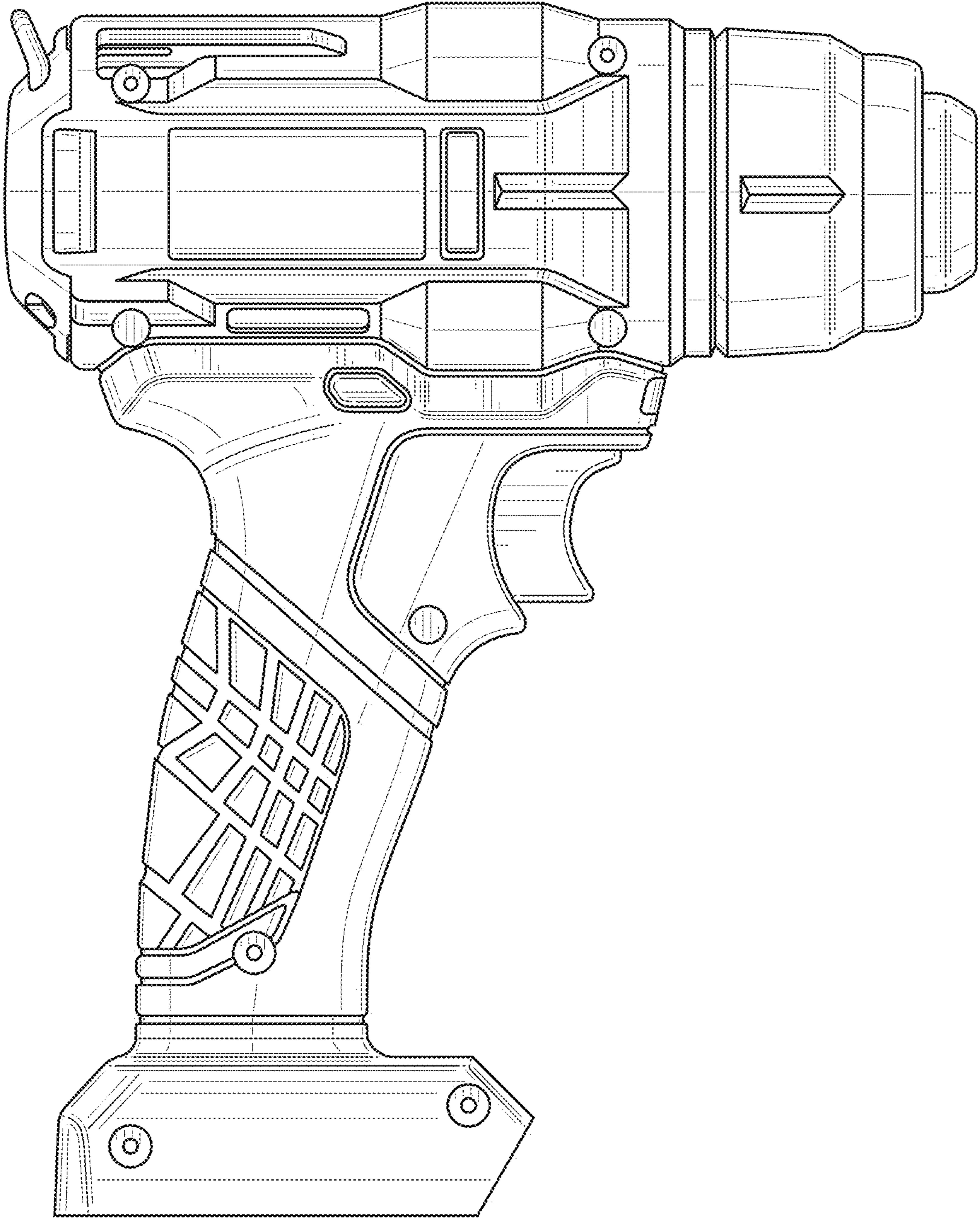


FIG. 3

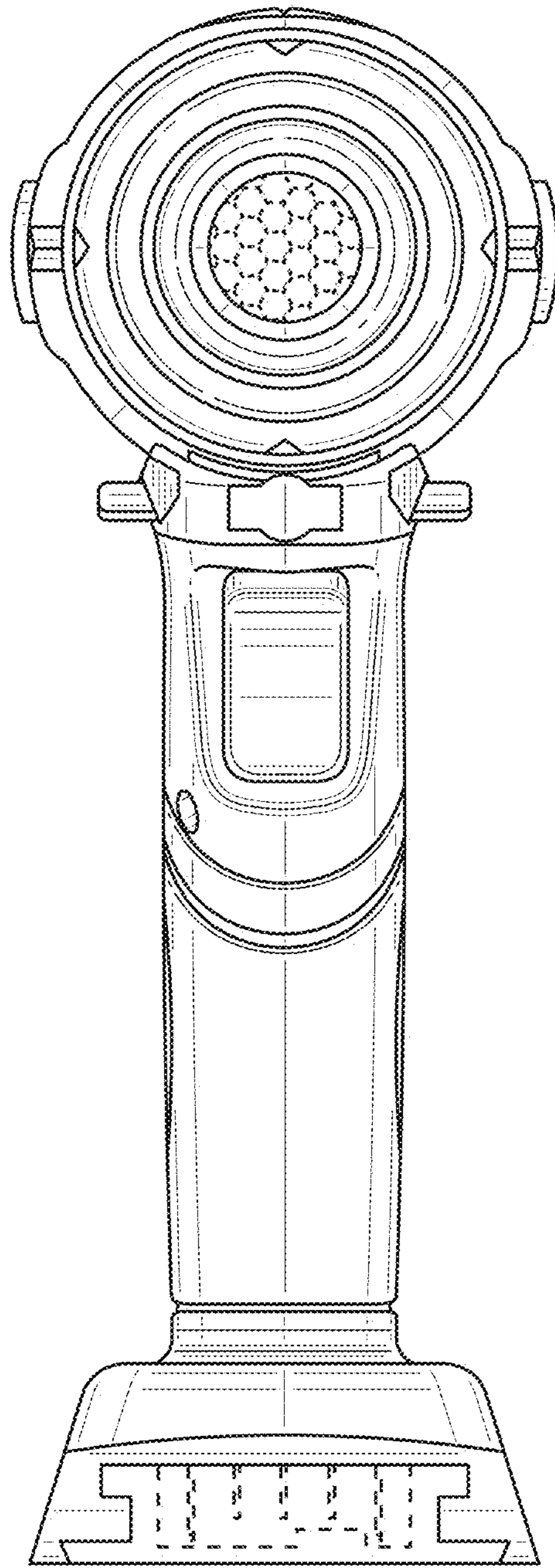


FIG. 4

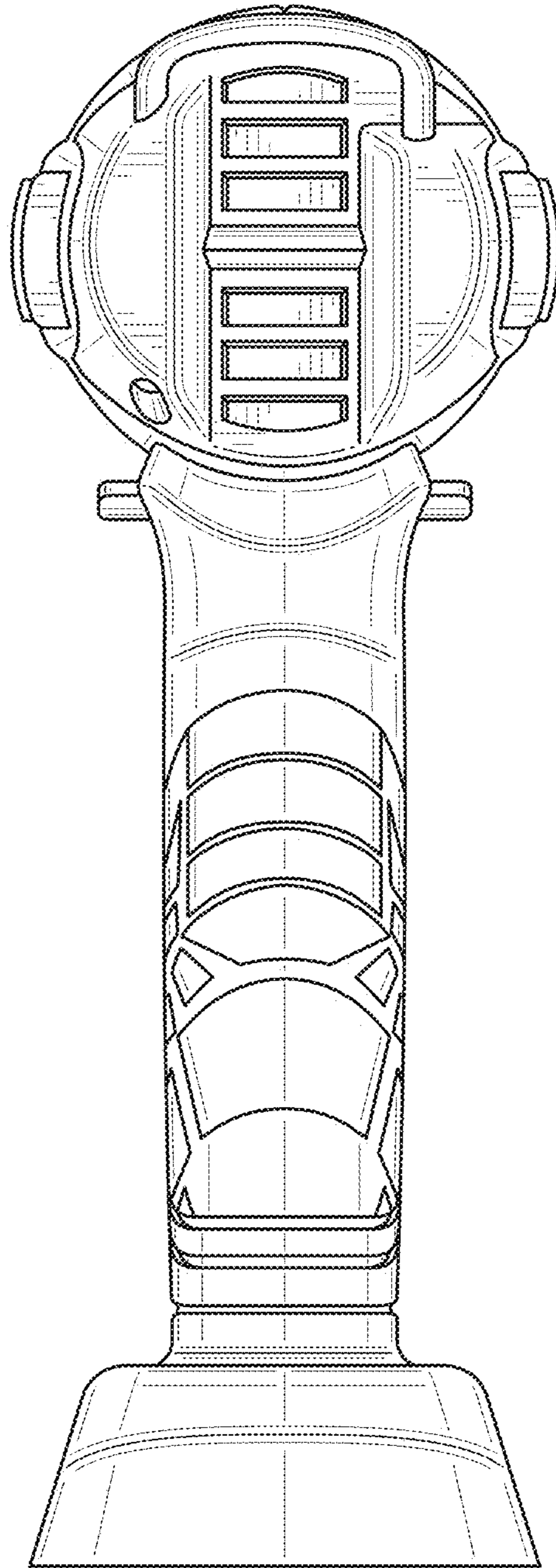


FIG. 5

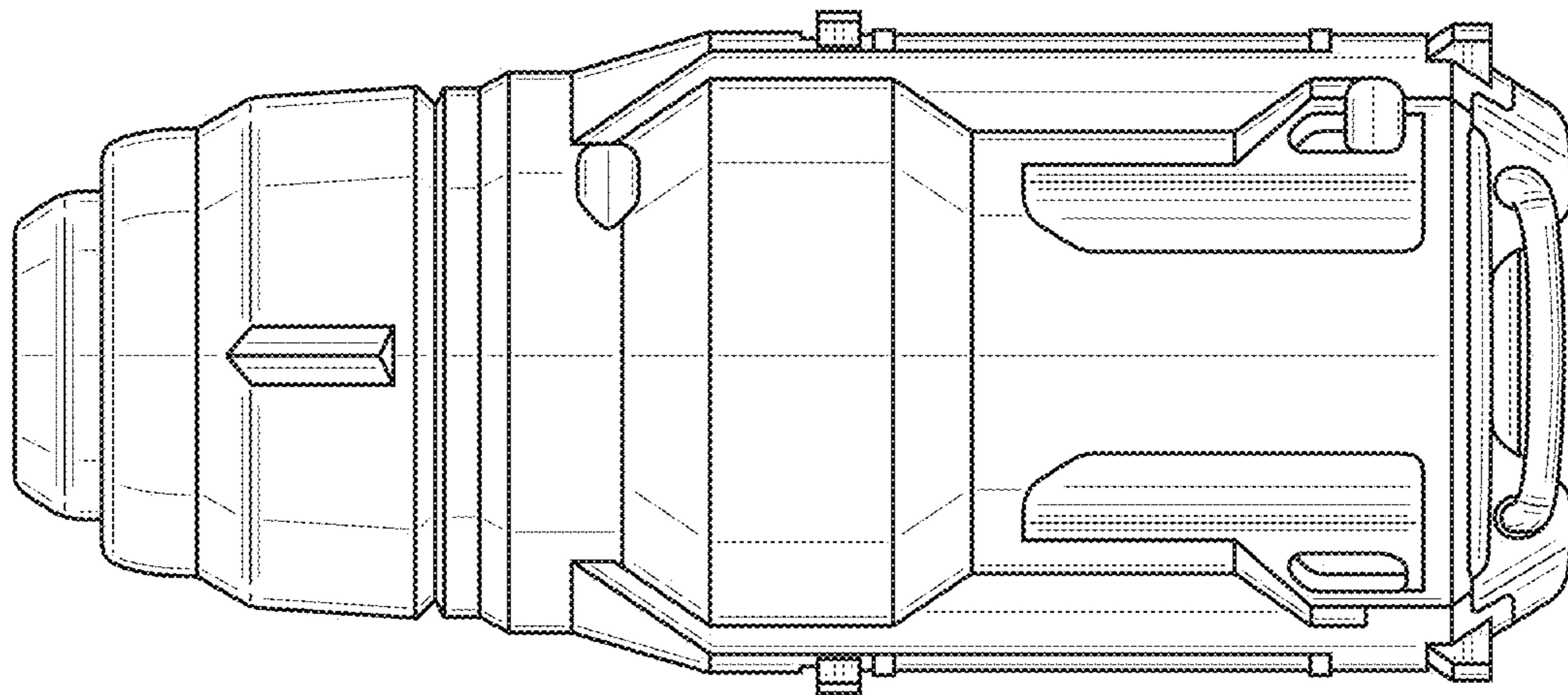


FIG. 6

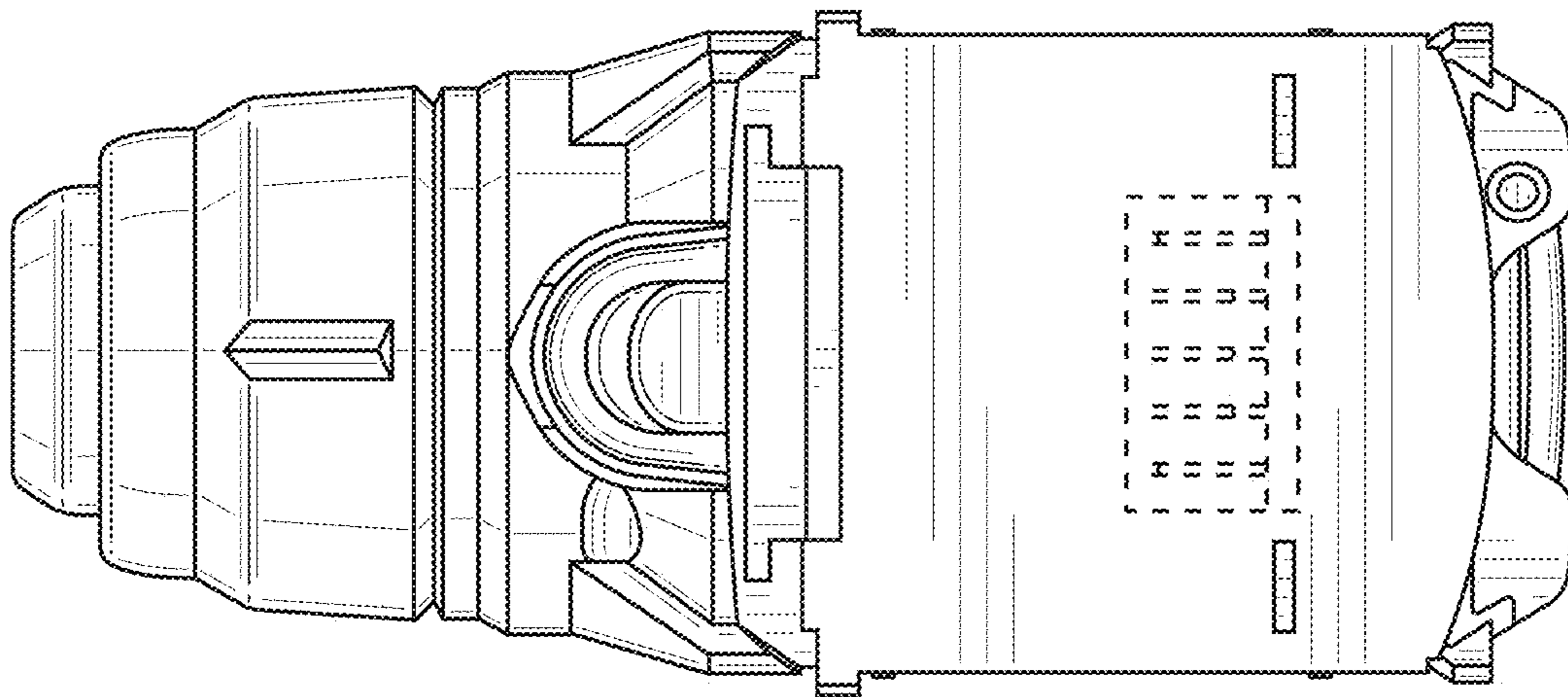


FIG. 7