



US00D871866S

(12) **United States Design Patent**
Roth

(10) **Patent No.:** **US D871,866 S**
(45) **Date of Patent:** **** Jan. 7, 2020**

(54) **CARTRIDGE PRESS**
(71) Applicant: **Marco Roth**, Haibach (DE)
(72) Inventor: **Marco Roth**, Haibach (DE)
(**) Term: **15 Years**
(21) Appl. No.: **29/656,962**
(22) Filed: **Jul. 18, 2018**
(30) **Foreign Application Priority Data**
Jan. 19, 2018 (EM) 004 672 285-0002
(51) **LOC (12) Cl.** **08-05**
(52) **U.S. Cl.**
USPC **D8/14.1**
(58) **Field of Classification Search**
USPC D8/14, 14.1, 30, 51, 68
CPC B05C 17/00553; B05C 17/012; B05C
17/00506; B05C 17/00; B05C 17/003;
B05C 17/0103
See application file for complete search history.

(56) **References Cited**
U.S. PATENT DOCUMENTS
D413,235 S * 8/1999 Hwang D8/14.1
7,063,240 B1 * 6/2006 Niswonger B05C 17/0103
222/1
7,073,691 B2 * 7/2006 Rumrill B05C 17/01
222/327
D703,020 S * 4/2014 Zhu D8/68

D713,223 S * 9/2014 Herman B05C 17/01
D8/14.1
8,857,672 B2 * 10/2014 Naughton B05C 17/01
222/325
D751,876 S * 3/2016 Herman D8/14.1
D788,553 S * 6/2017 Hung D8/14.1
D859,940 S * 9/2019 Herman D8/14.1

* cited by examiner
Primary Examiner — Philip S Hyder
(74) *Attorney, Agent, or Firm* — Ladas & Parry LLP;
Malcolm J. MacDonald

(57) **CLAIM**
The ornamental design for a cartridge press, as shown and described.

DESCRIPTION
The patent or application file contains at least one drawing executed in color. Copies of this patent or patent application publication with color drawing(s) will be provided by the Office upon request and payment of the necessary fee.
FIG. 1 is front perspective view of a cartridge press showing my new design;
FIG. 2 is a front elevational view thereof;
FIG. 3 is a rear elevational view thereof;
FIG. 4 is left side elevational view thereof;
FIG. 5 is a right side elevational view thereof;
FIG. 6 is a top plan view thereof; and,
FIG. 7 is a bottom plan view thereof.

1 Claim, 7 Drawing Sheets
(7 of 7 Drawing Sheet(s) Filed in Color)





FIG. 1

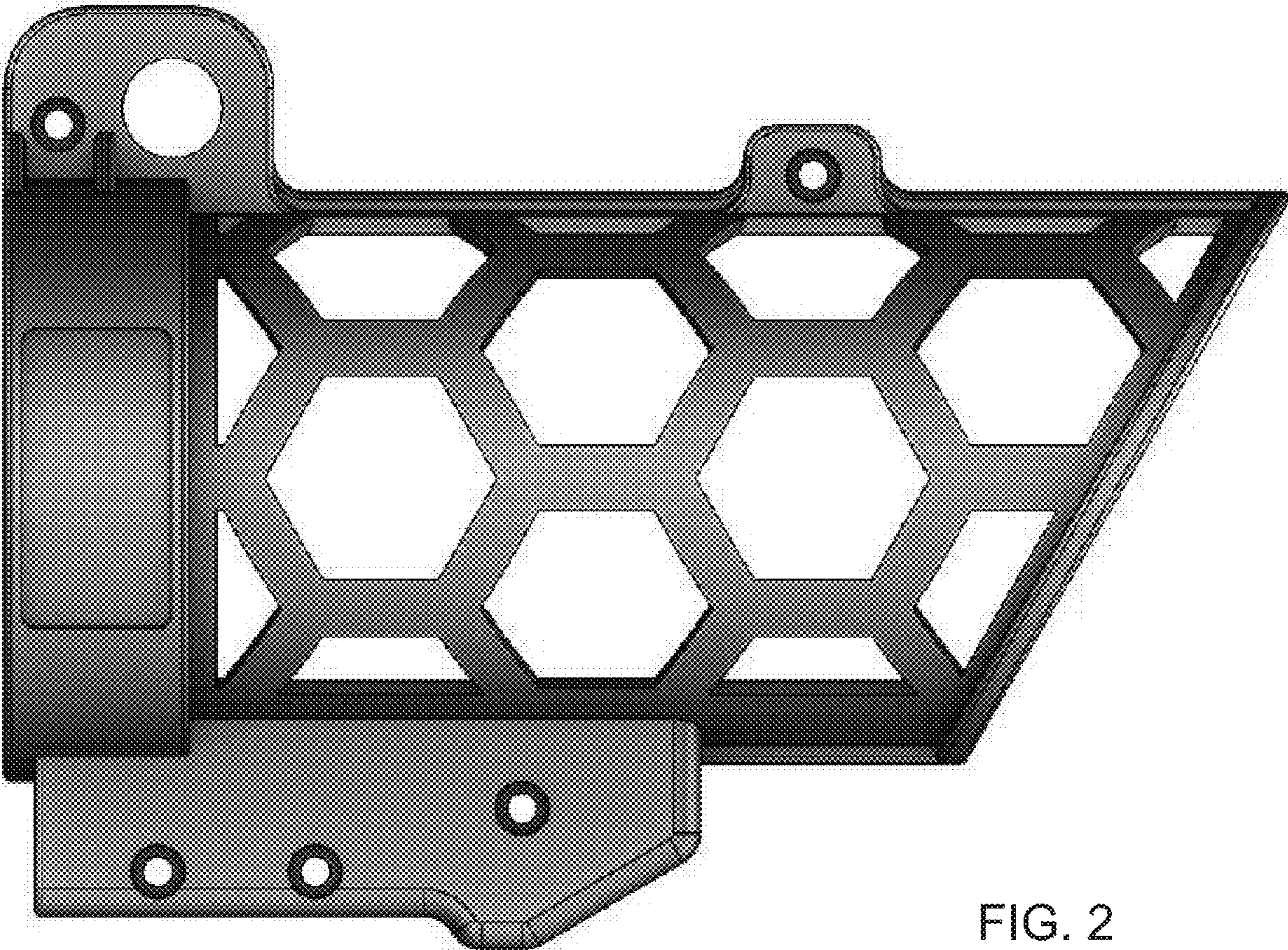


FIG. 2

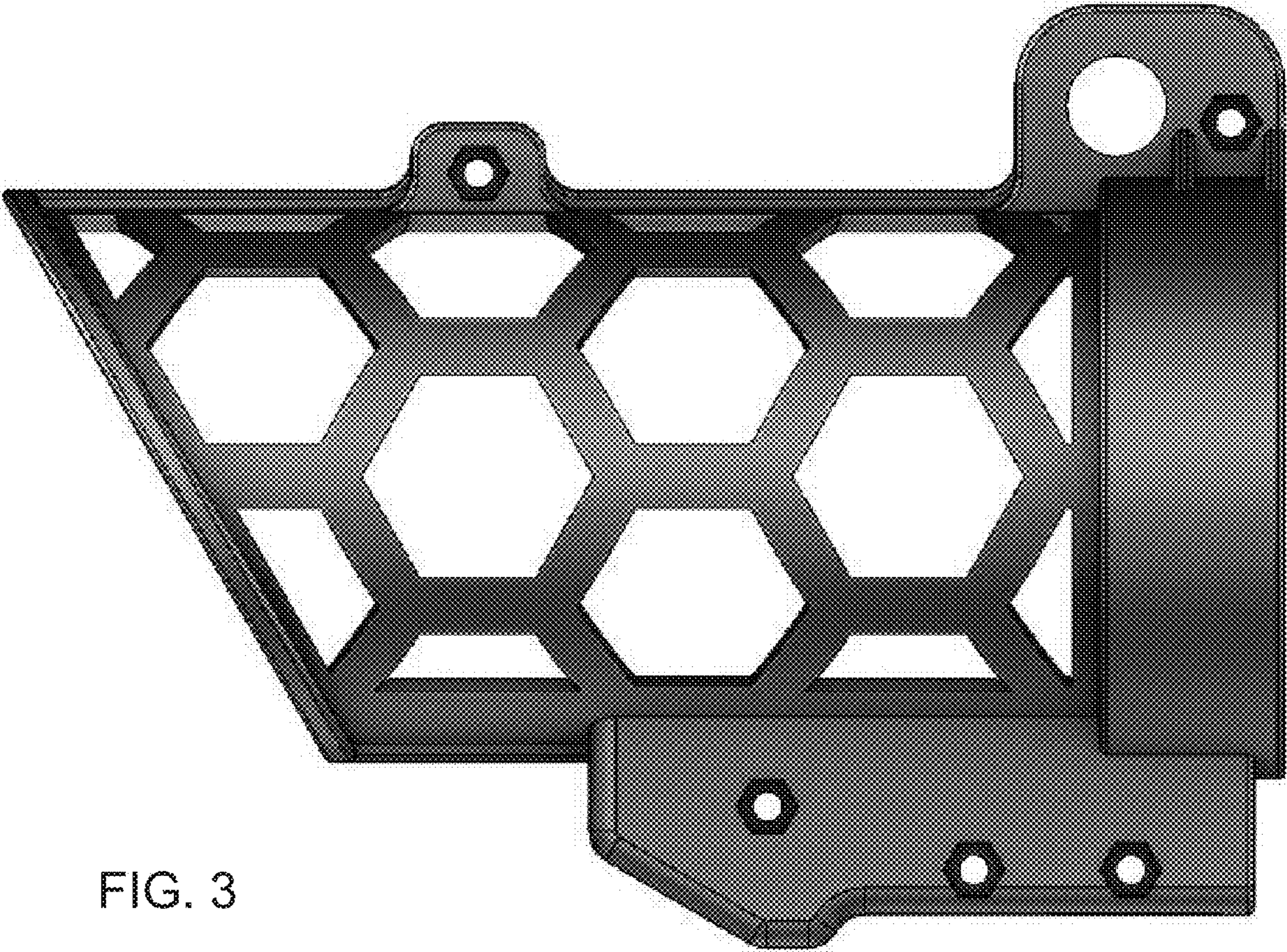


FIG. 3

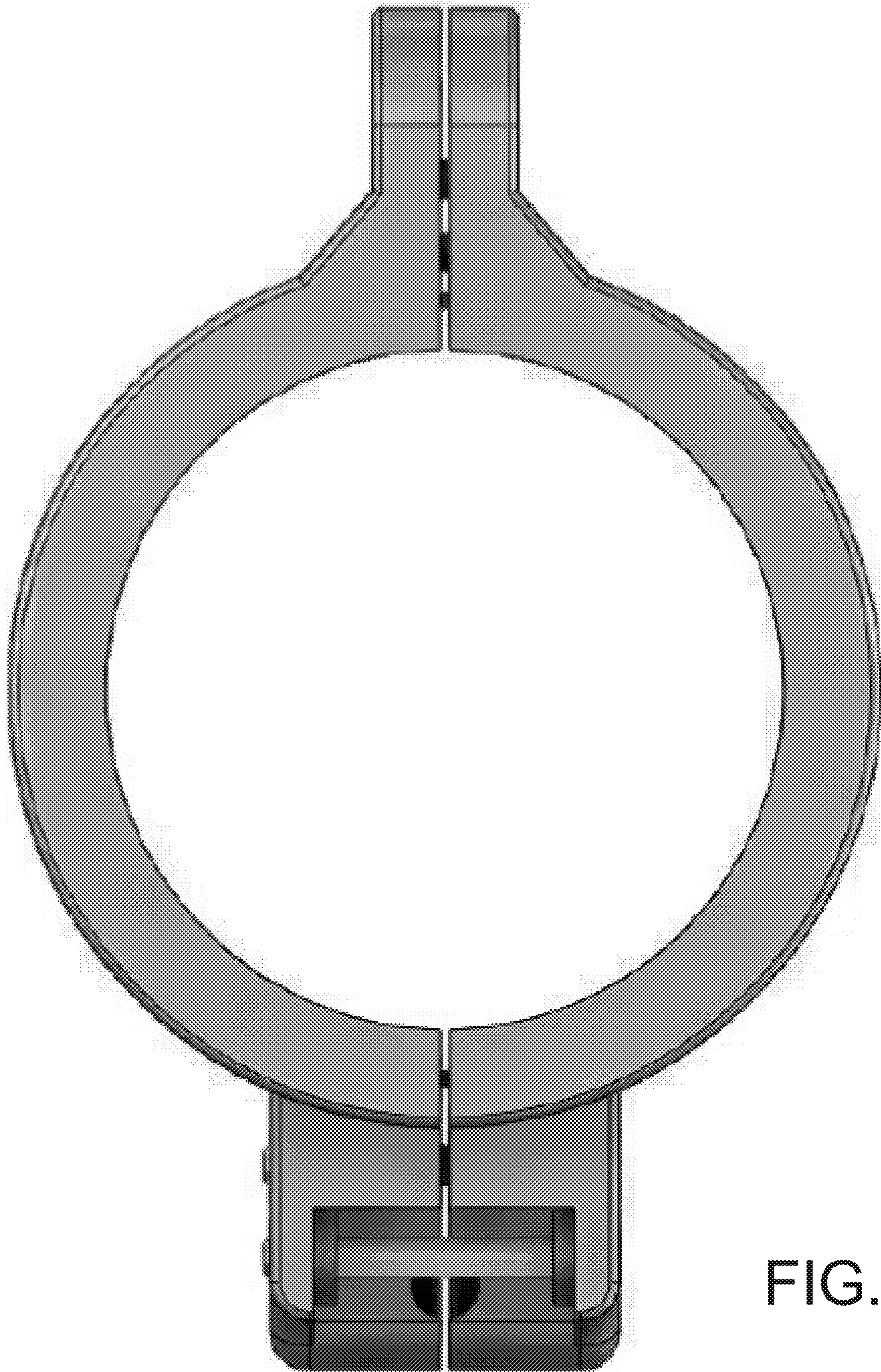


FIG. 4

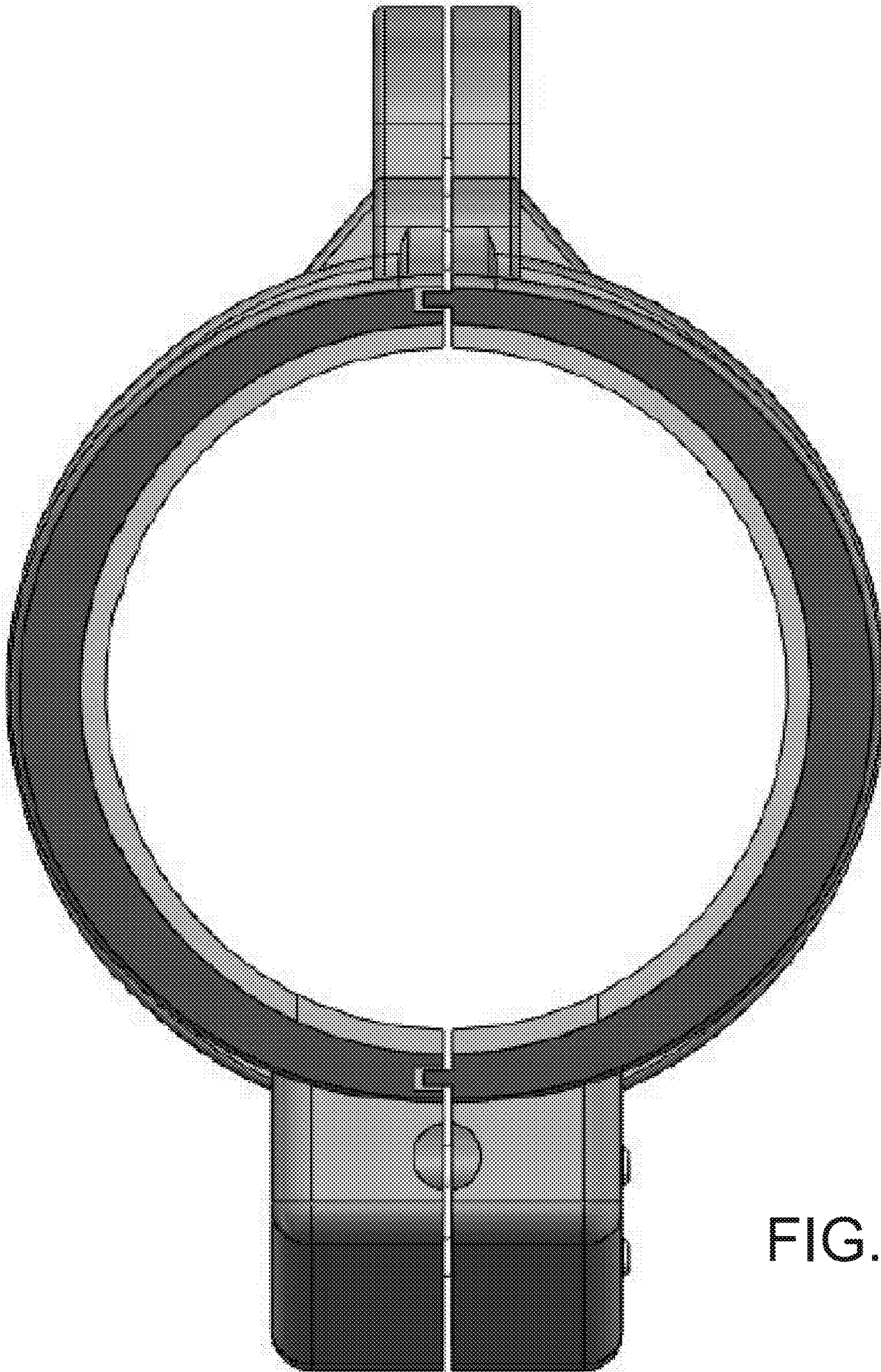


FIG. 5

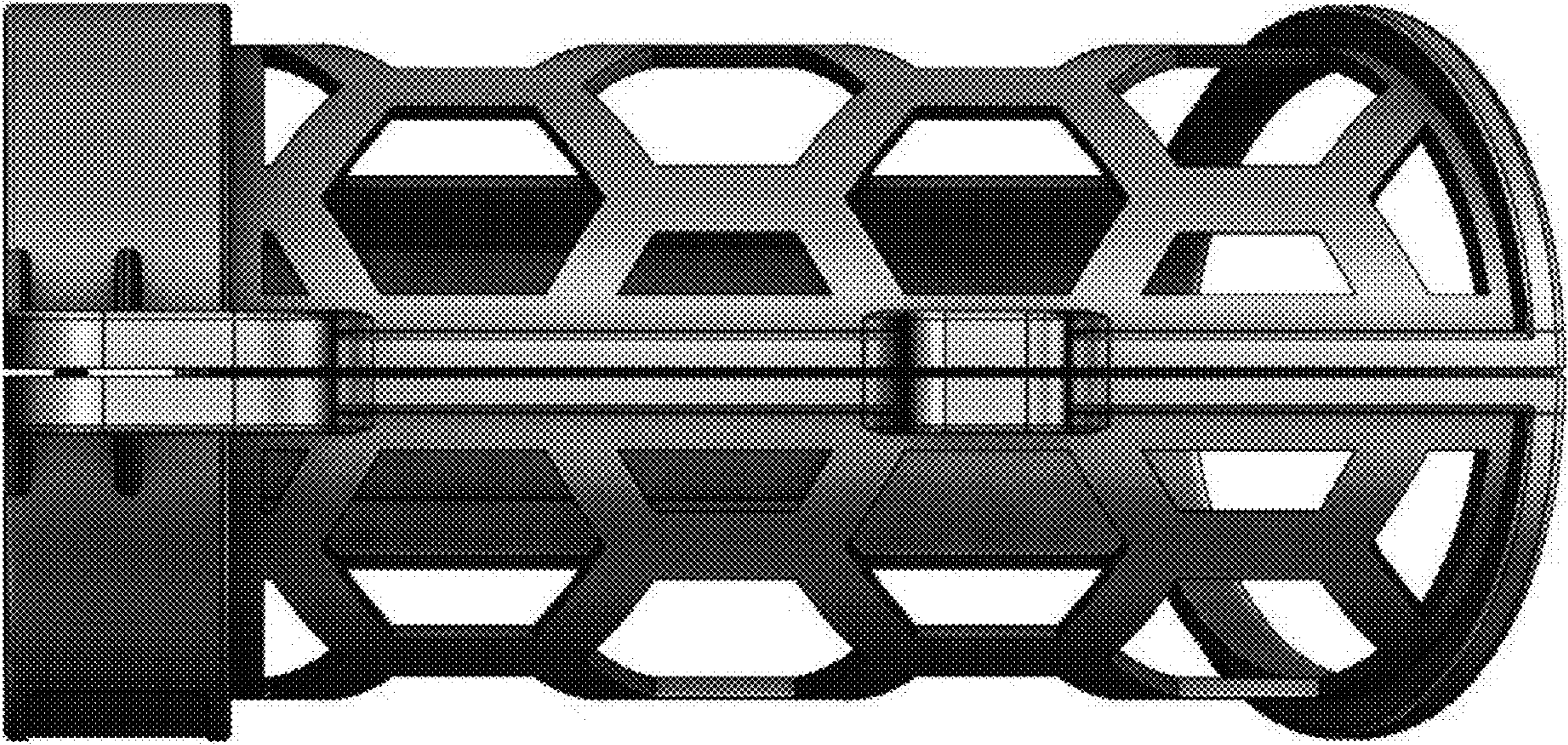


FIG. 6

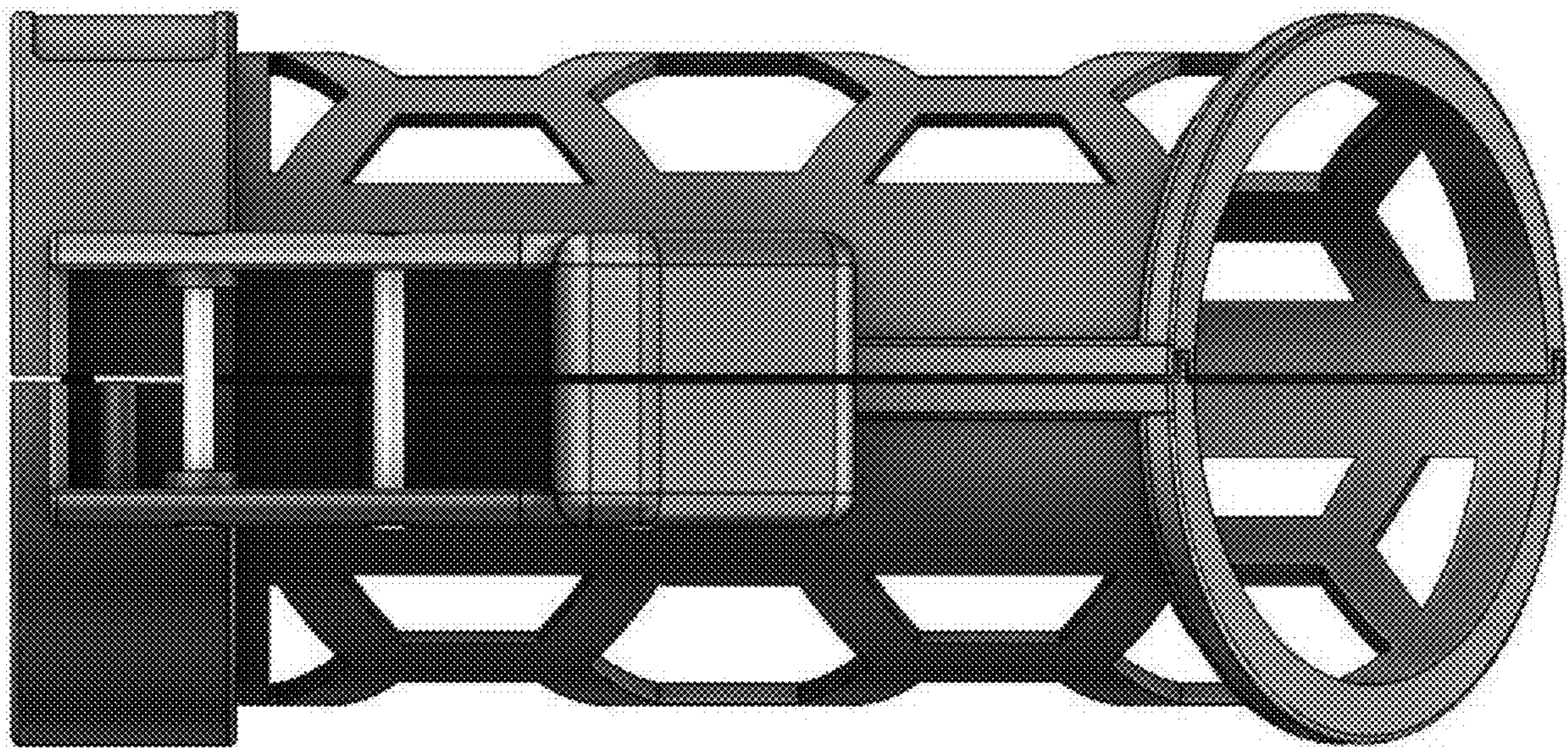


FIG. 7