



US00D871865S

(12) **United States Design Patent**
Higgins

(10) **Patent No.:** **US D871,865 S**

(45) **Date of Patent:** **** Jan. 7, 2020**

(54) **FOLDABLE TOOL FOR INSTALLATION OF
A CHILD CAR SEAT IN A VEHICLE**

(71) Applicant: **Dana A. Higgins**, Orlando, FL (US)

(72) Inventor: **Dana A. Higgins**, Orlando, FL (US)

(**) Term: **15 Years**

(21) Appl. No.: **29/685,441**

(22) Filed: **Mar. 28, 2019**

(51) **LOC (12) Cl.** **08-05**

(52) **U.S. Cl.**
USPC **D8/14**

(58) **Field of Classification Search**
USPC D8/14, 51, 88, 89, 105, 107
CPC .. B25B 9/00; B60N 2/2806; B60N 2022/025;
B60R 22/00; B60R 22/105
See application file for complete search history.

(56) **References Cited**

U.S. PATENT DOCUMENTS

- 5,197,176 A * 3/1993 Reese B25B 33/00
29/270
- 5,496,083 A * 3/1996 Shouse, Jr. B25B 9/00
29/278
- 5,620,231 A * 4/1997 Marker B60N 2/265
29/278
- D384,255 S * 9/1997 Beckner D8/16
- 6,430,979 B1 * 8/2002 Meier B21D 39/048
72/21.4
- 9,085,447 B1 * 7/2015 Royall B25J 1/04

- D828,154 S * 9/2018 Senter D8/499
- 2002/0062543 A1 * 5/2002 Dittmar B25B 9/00
29/278
- 2013/0104363 A1 * 5/2013 Allen B60N 2/2806
29/428

* cited by examiner

Primary Examiner — Philip S Hyder
(74) *Attorney, Agent, or Firm* — William M. Hobby, II

(57) **CLAIM**

The ornamental design for a foldable tool for installation of a child car seat in a vehicle, as shown and described.

DESCRIPTION

FIG. 1 is a top and side perspective view of my new foldable tool for installation of a child car seat in a vehicle in a folded position;
 FIG. 2 is a top plan view thereof;
 FIG. 3 is a bottom plan view thereof;
 FIG. 4 is a right side view thereof;
 FIG. 5 is a left side view thereof;
 FIG. 6 is a front end view thereof;
 FIG. 7 is a rear end view thereof;
 FIG. 8 is a top right side perspective view;
 FIG. 9 is rear end view in an open position;
 FIG. 10 is a front end view in an open position;
 FIG. 11 is a top plan view thereof in an open position; and,
 FIG. 12 is a right side view thereof in an open position, the left side being a mirror image of the right side.
 The broken lines depict portions of the foldable tool in which the design is embodied that are not considered part of the claimed design.

1 Claim, 4 Drawing Sheets

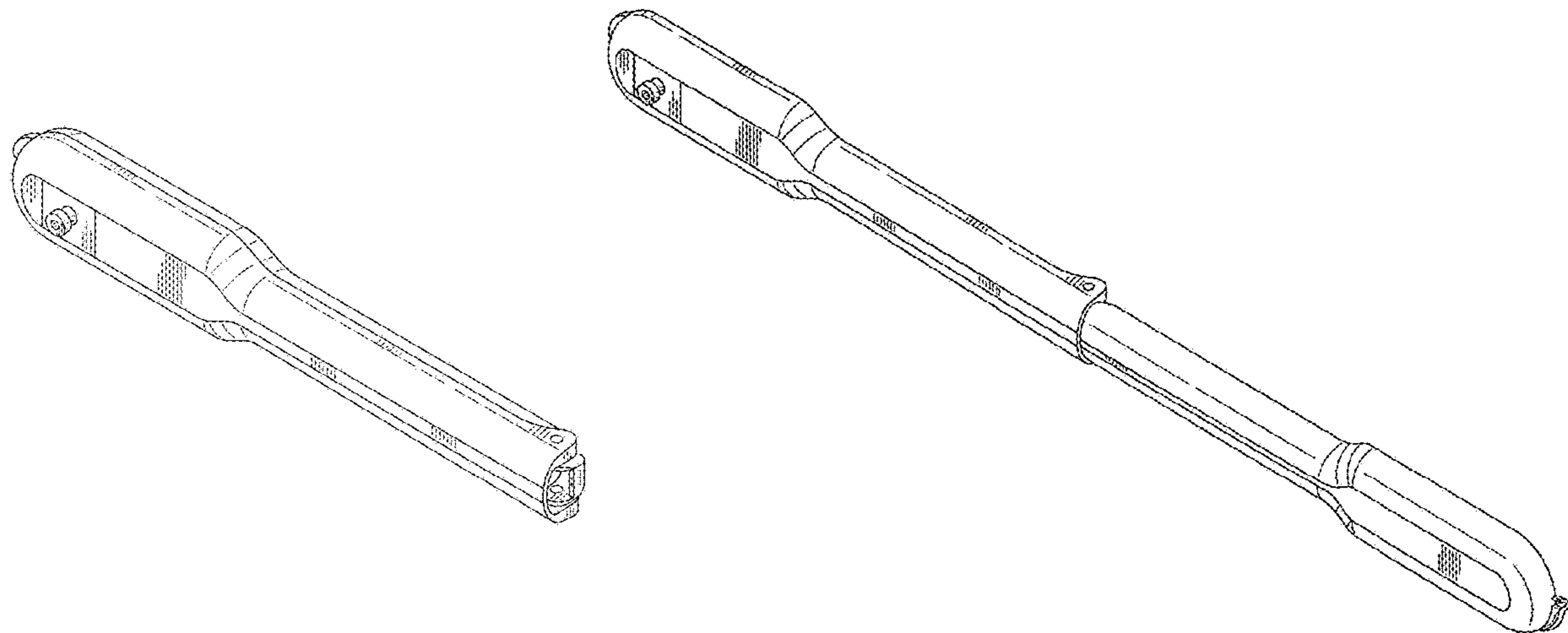


FIG. 1

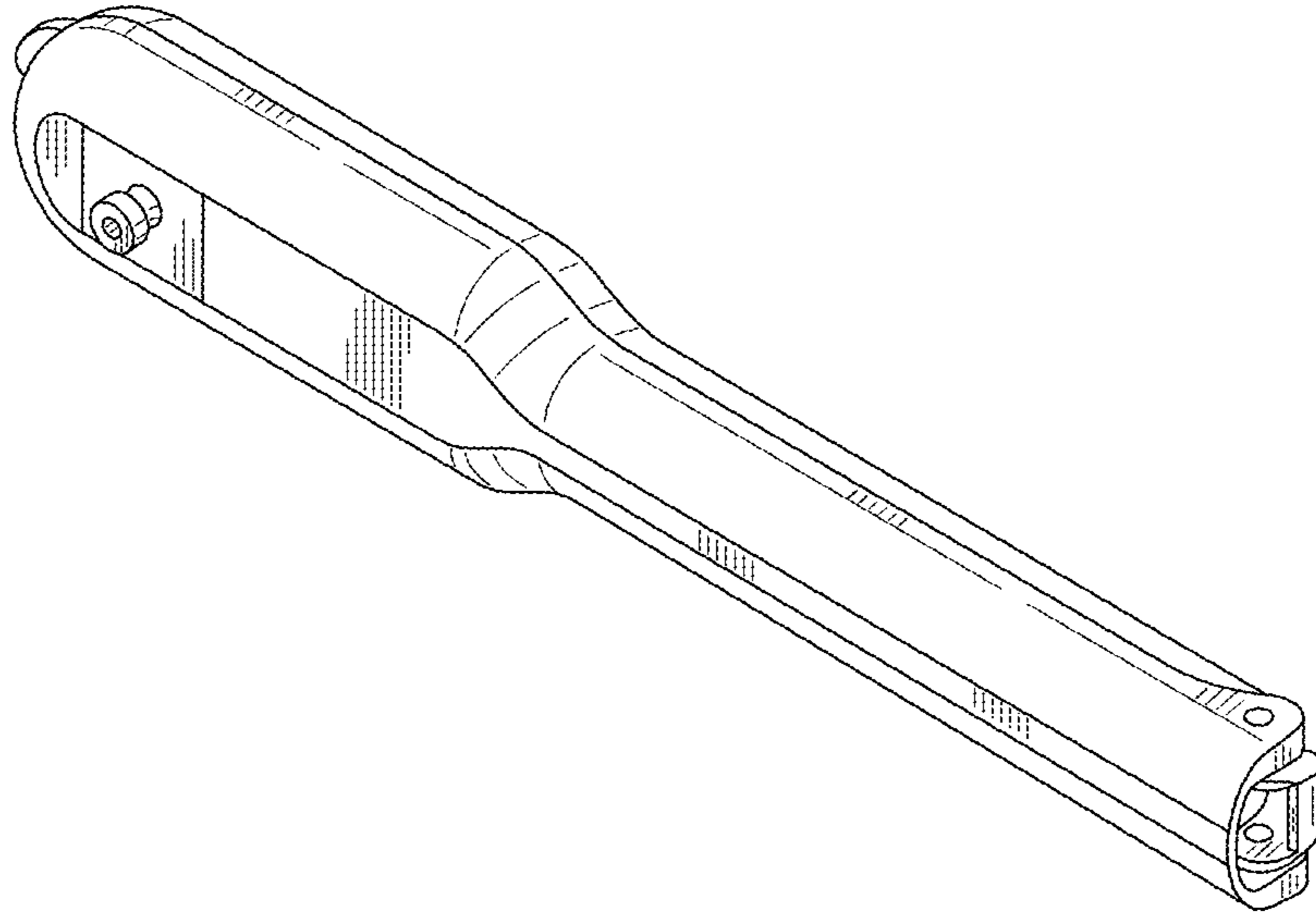


FIG. 2

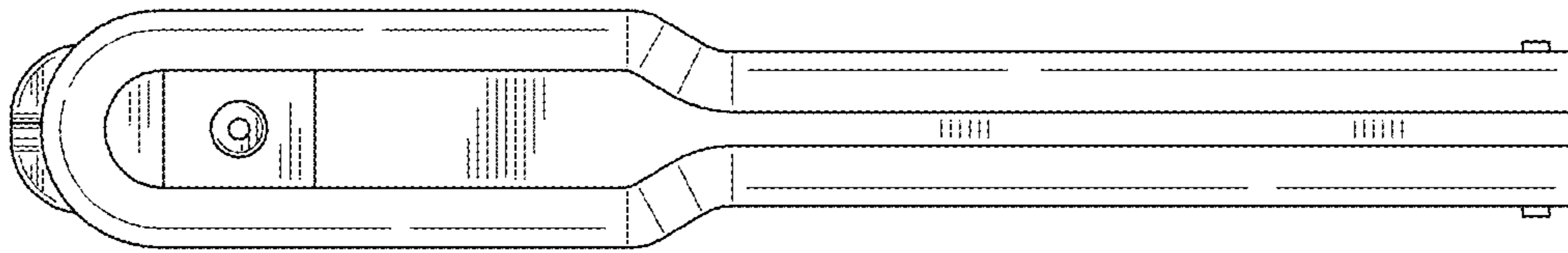


FIG. 3

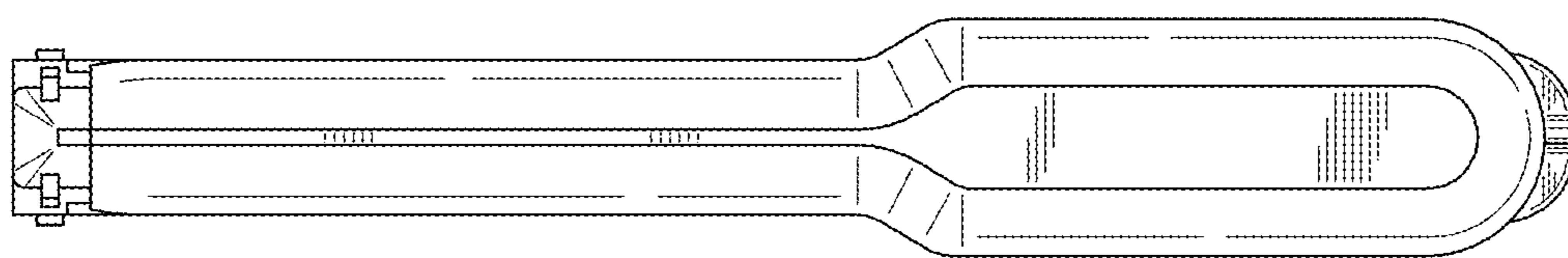


FIG. 4

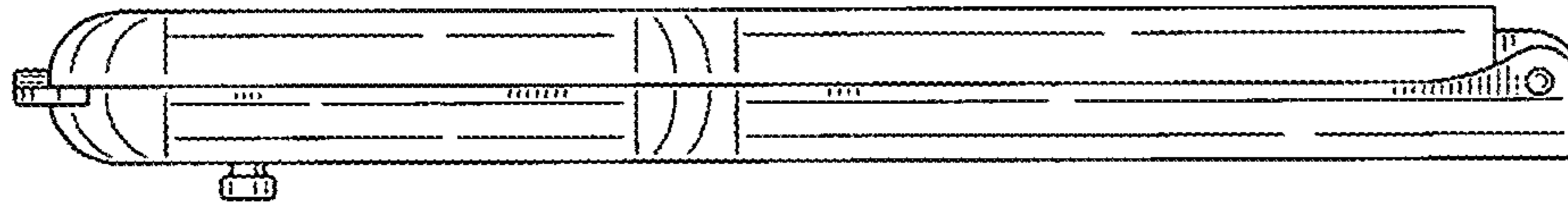


FIG. 5

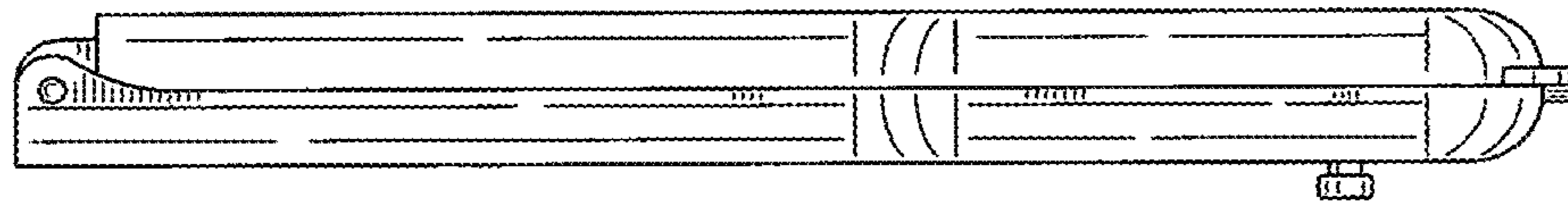


FIG. 6

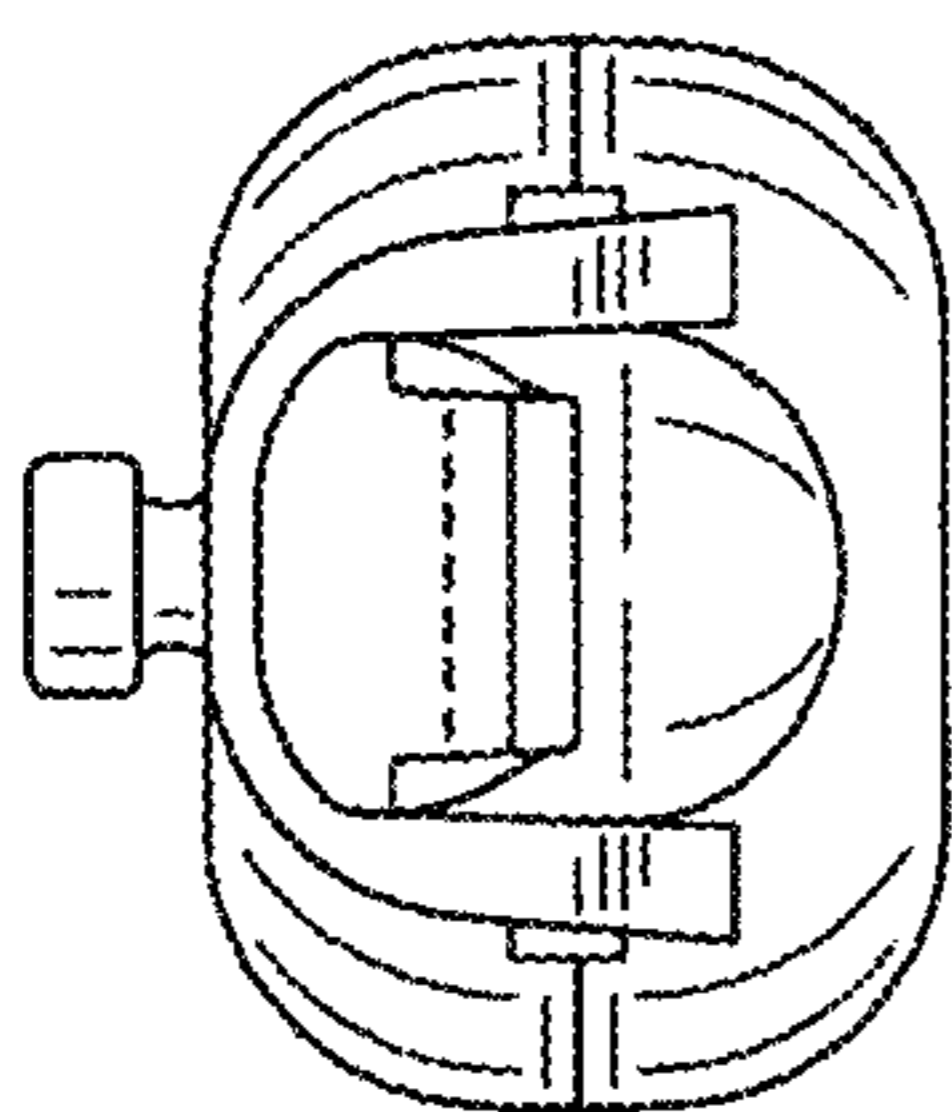


FIG. 7

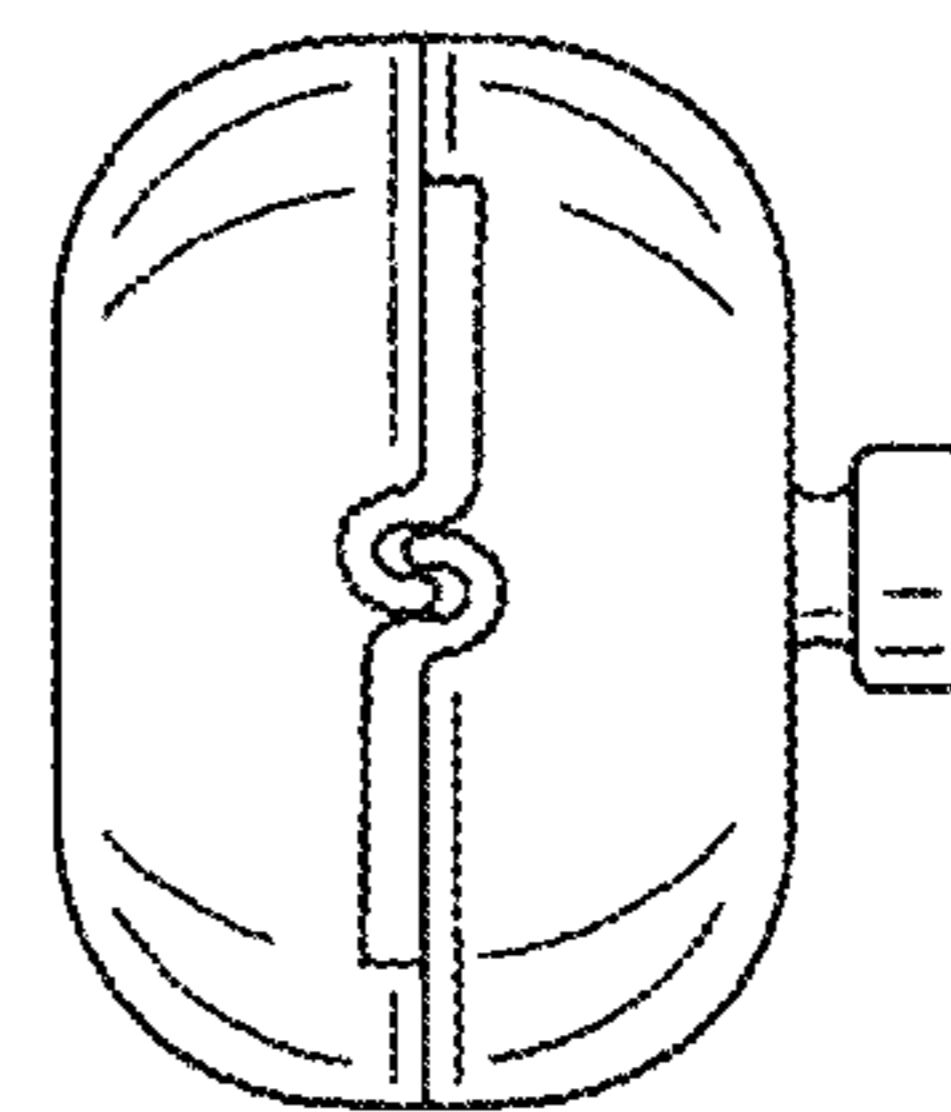


FIG. 9

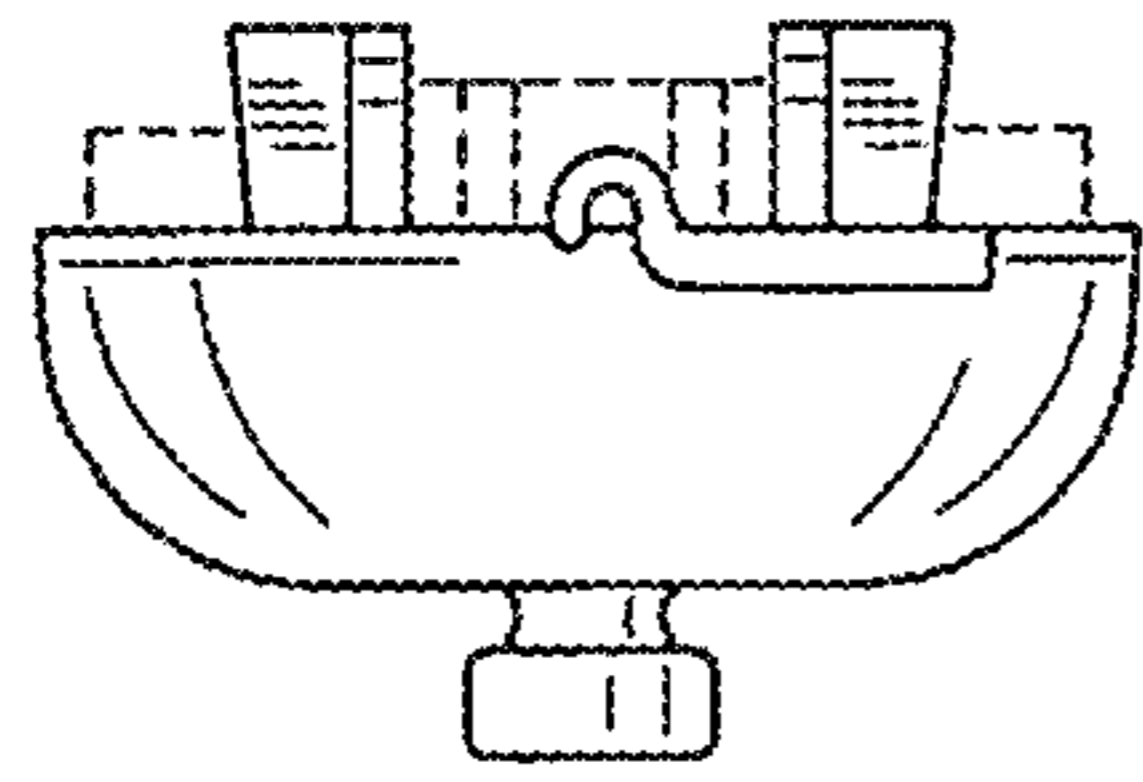


FIG. 8

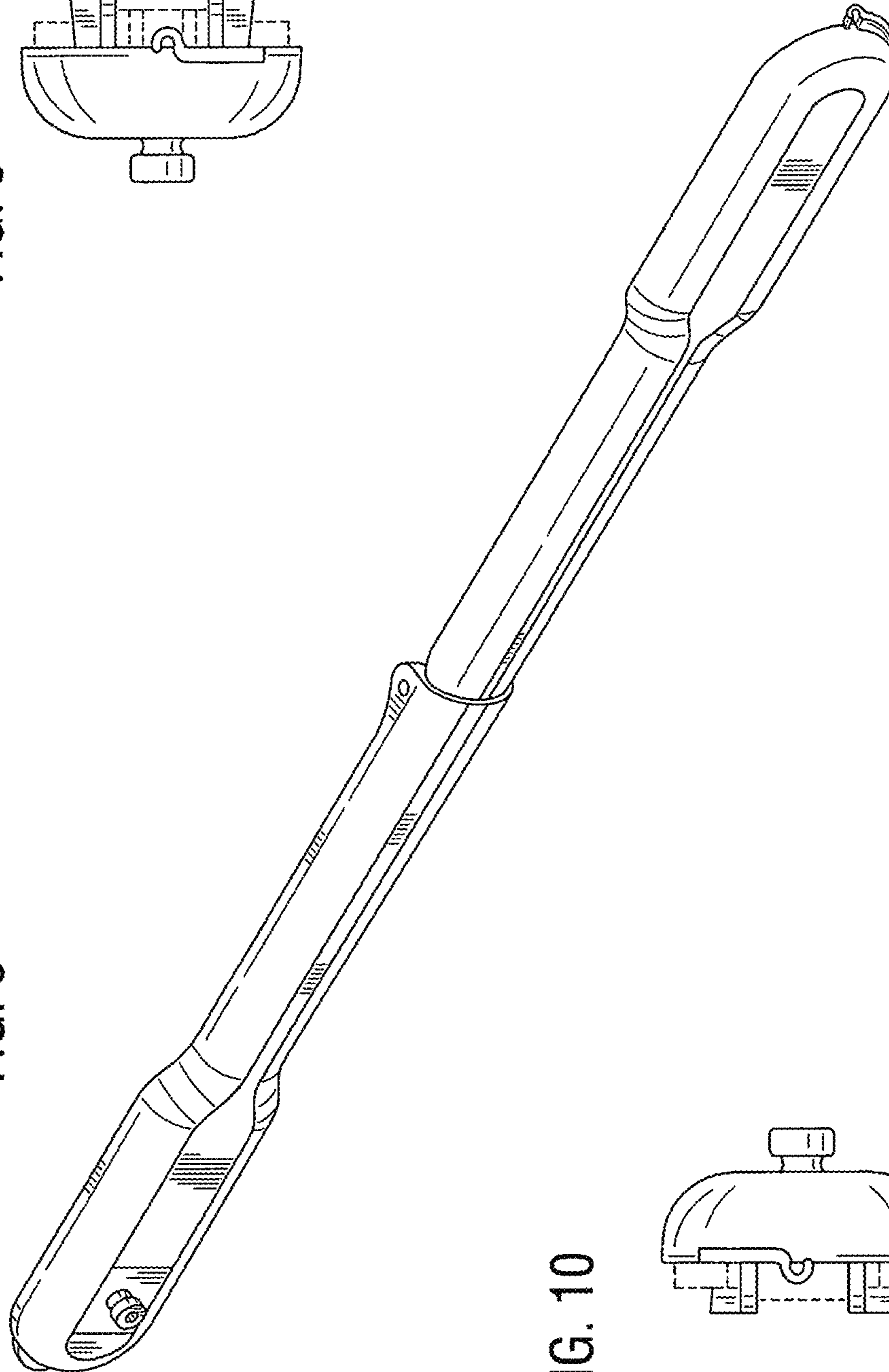


FIG. 10

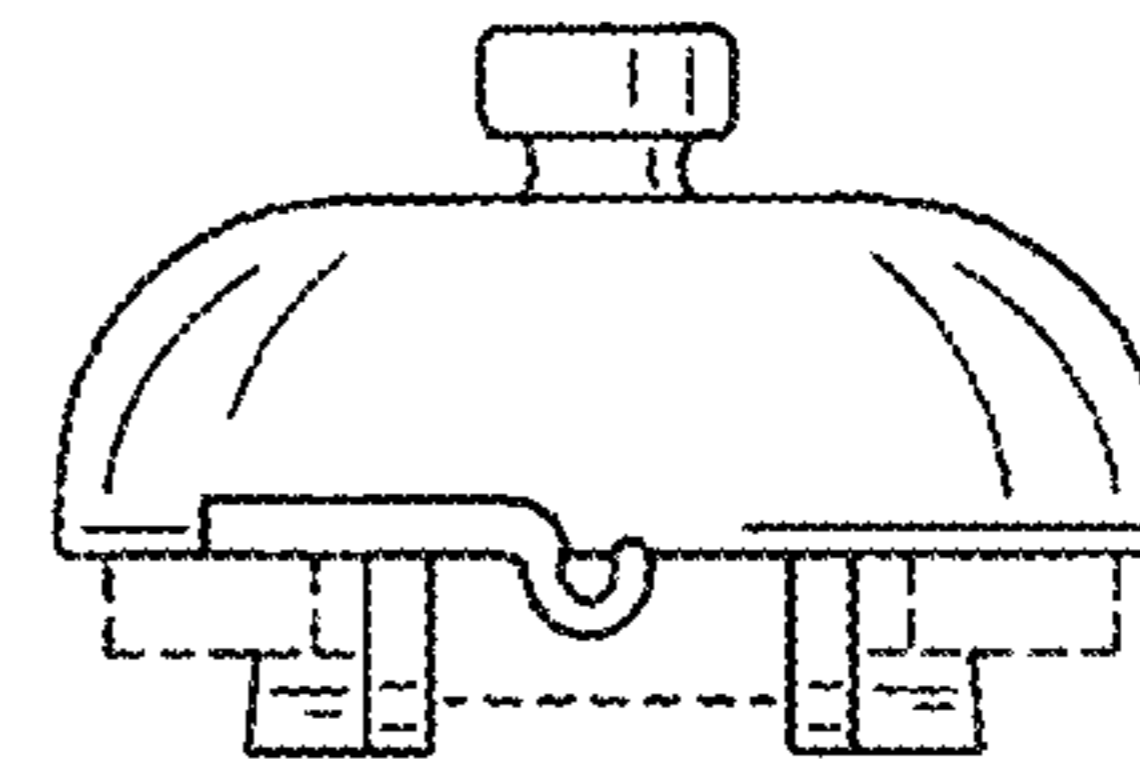


FIG. 11

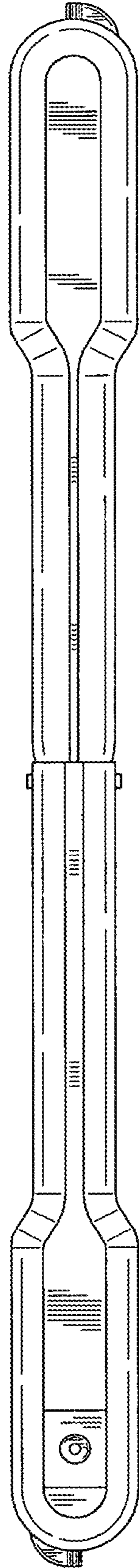


FIG. 12

