



US00D871863S

(12) **United States Design Patent**
Zitter

(10) **Patent No.:** **US D871,863 S**

(45) **Date of Patent:** **** Jan. 7, 2020**

(54) **DECK MOUNTED PLANT HANGER**

2009/0056216 A1* 3/2009 Falk A47G 7/042
47/67

(71) Applicant: **Ronald Zitter**, Elverson, PA (US)

* cited by examiner

(72) Inventor: **Ronald Zitter**, Elverson, PA (US)

Primary Examiner — Wan Laymon

Assistant Examiner — Mark Booker

(**) Term: **15 Years**

(74) *Attorney, Agent, or Firm* — Ken Bower; Lyman Smith

(21) Appl. No.: **29/646,963**

(57) **CLAIM**

(22) Filed: **May 8, 2018**

The ornamental design for a deck mounted plant hanger, as shown and described.

(51) **LOC (12) Cl.** **08-01**

DESCRIPTION

(52) **U.S. Cl.**

USPC **D8/1**

(58) **Field of Classification Search**

USPC D6/513, 329, 512, 403–405, 556–558;
D3/5, 10; D11/131, 143–150, 151–156,
D11/164; 47/65, 65.5, 41.11–41.15,
47/44–47, 63, 65.9, 66.1, 66.2, 66.6, 66.7,
47/67–71; D8/1; D25/100

CPC A47G 7/047; A47G 7/045; A47G 7/02

See application file for complete search history.

FIG. 1 is a front perspective view of the new design showing the mounted on a deck;

FIG. 2 is a front perspective view of the new design;

FIG. 3 is a front elevational view thereof;

FIG. 4 is a back side elevational view thereof;

FIG. 5 is a right side elevational view thereof;

FIG. 6 is a left side elevational view thereof;

FIG. 7 is a top side plan view thereof;

FIG. 8 is a bottom side plan view thereof;

FIG. 9 is a front perspective view thereof, with an enlarged detail of a railing strap thereon; and,

FIG. 10 is a front perspective view thereof, with an enlarged detail of the deck mounted plant hanger thereon.

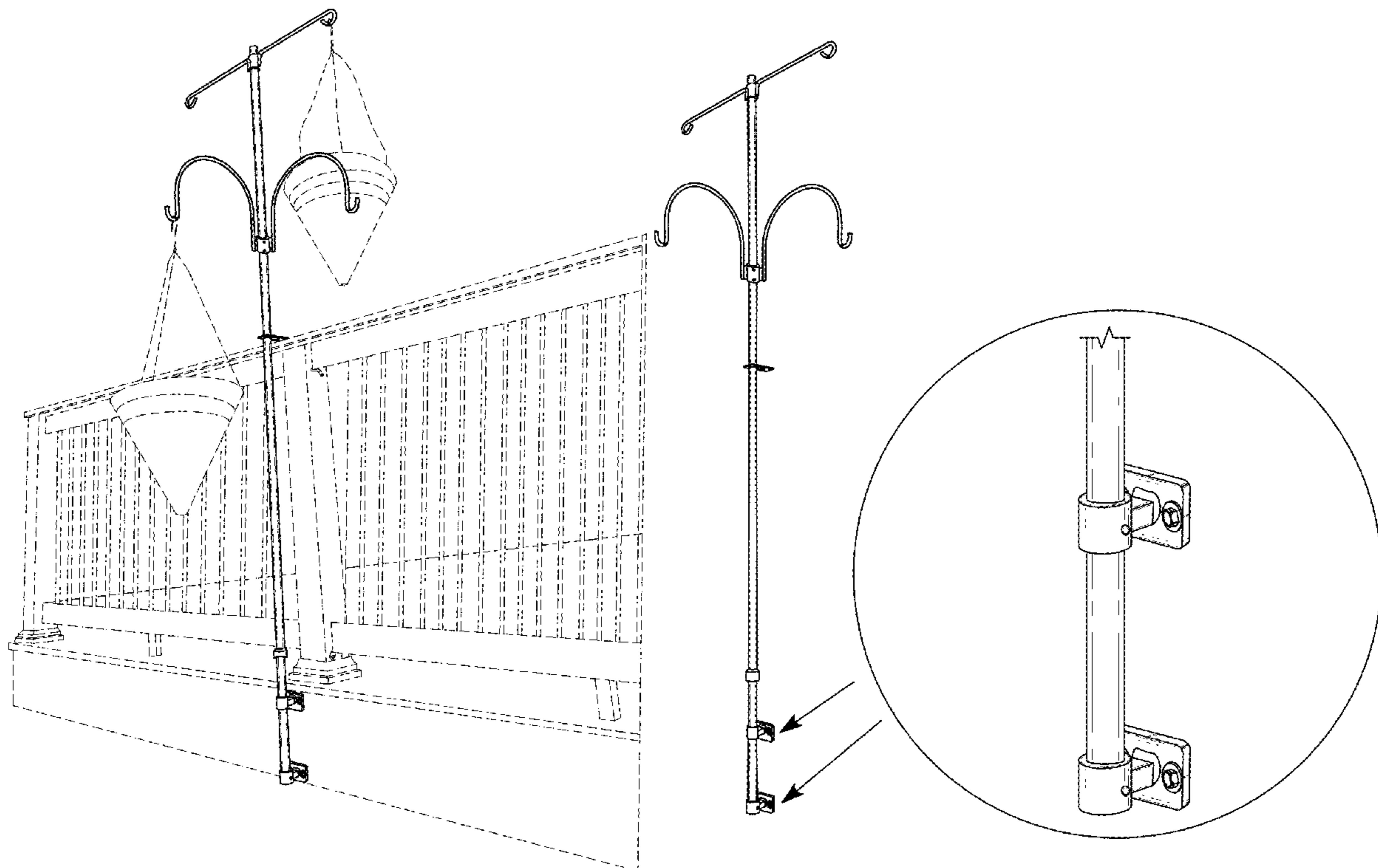
The broken lines shown in the figures represent portions of the deck mounted plant hanger that form no part of the claimed design.

(56) **References Cited**

U.S. PATENT DOCUMENTS

D647,741 S	*	11/2011	White, Jr.	D6/513
D666,021 S	*	8/2012	Tremblay	D6/405
D703,973 S	*	5/2014	Steele	D6/556
D791,014 S	*	7/2017	Hoffman	D11/148

1 Claim, 9 Drawing Sheets



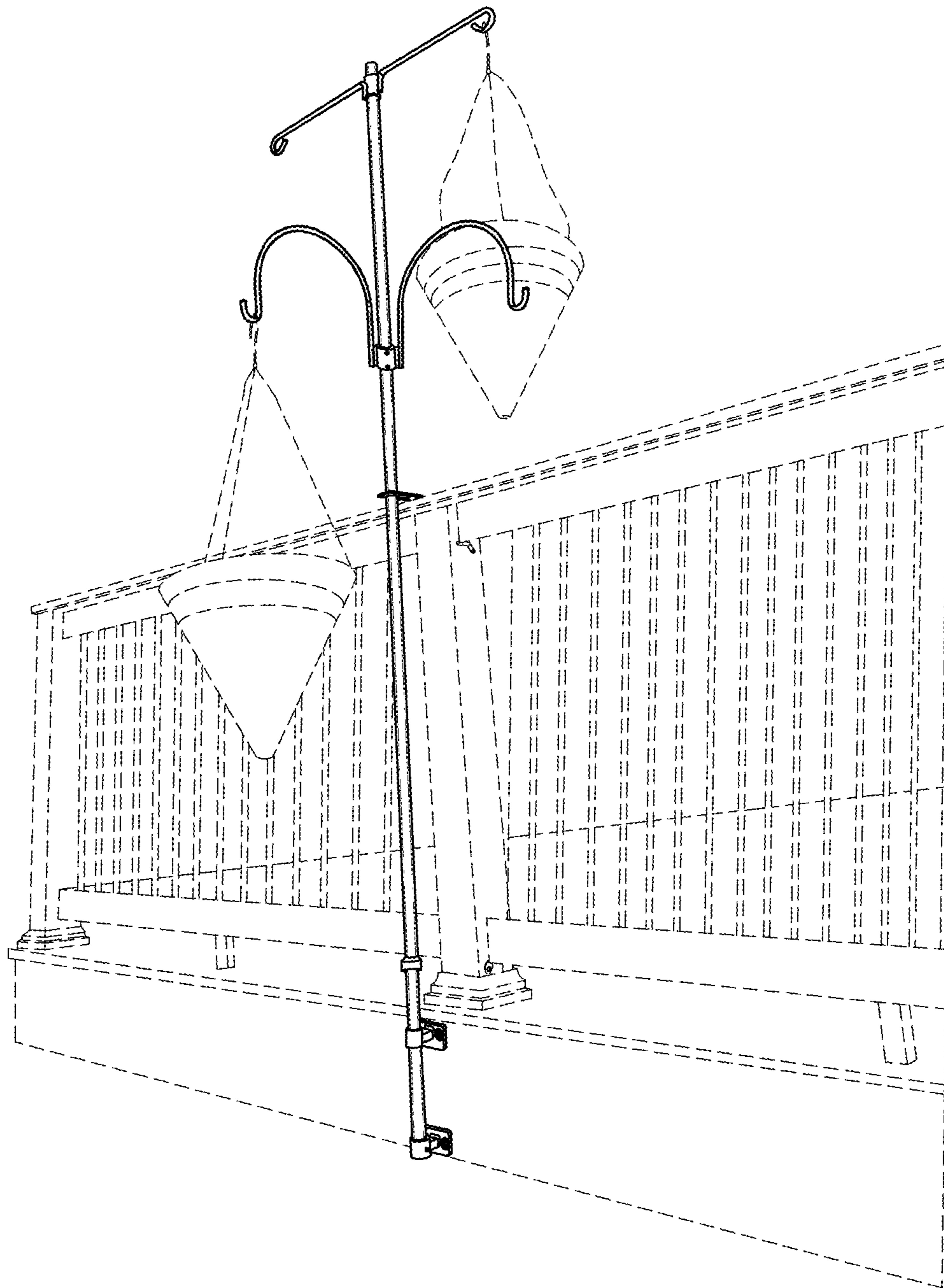


FIG. 1

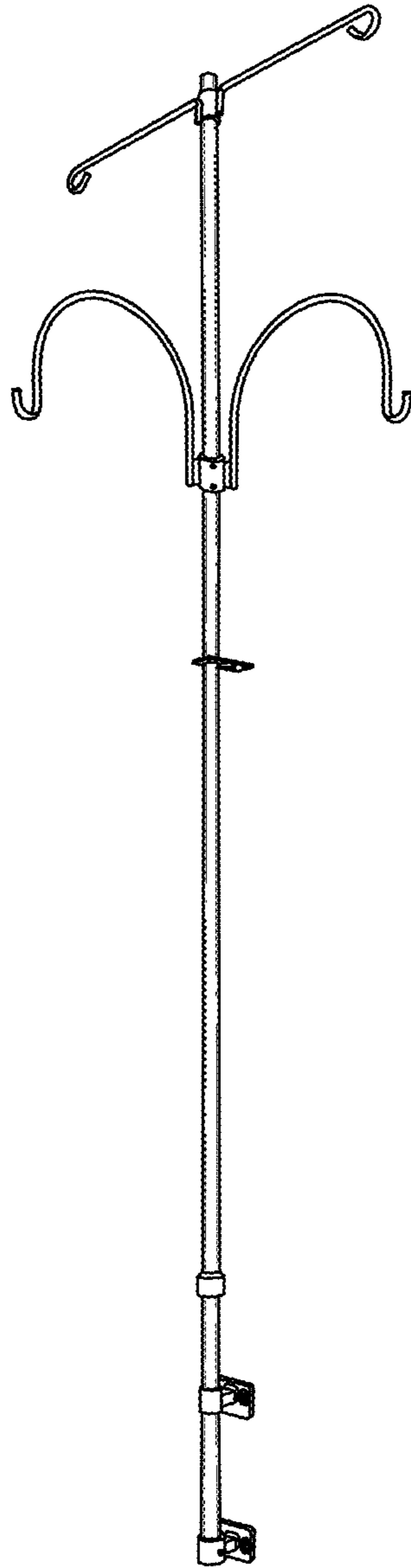


FIG. 2

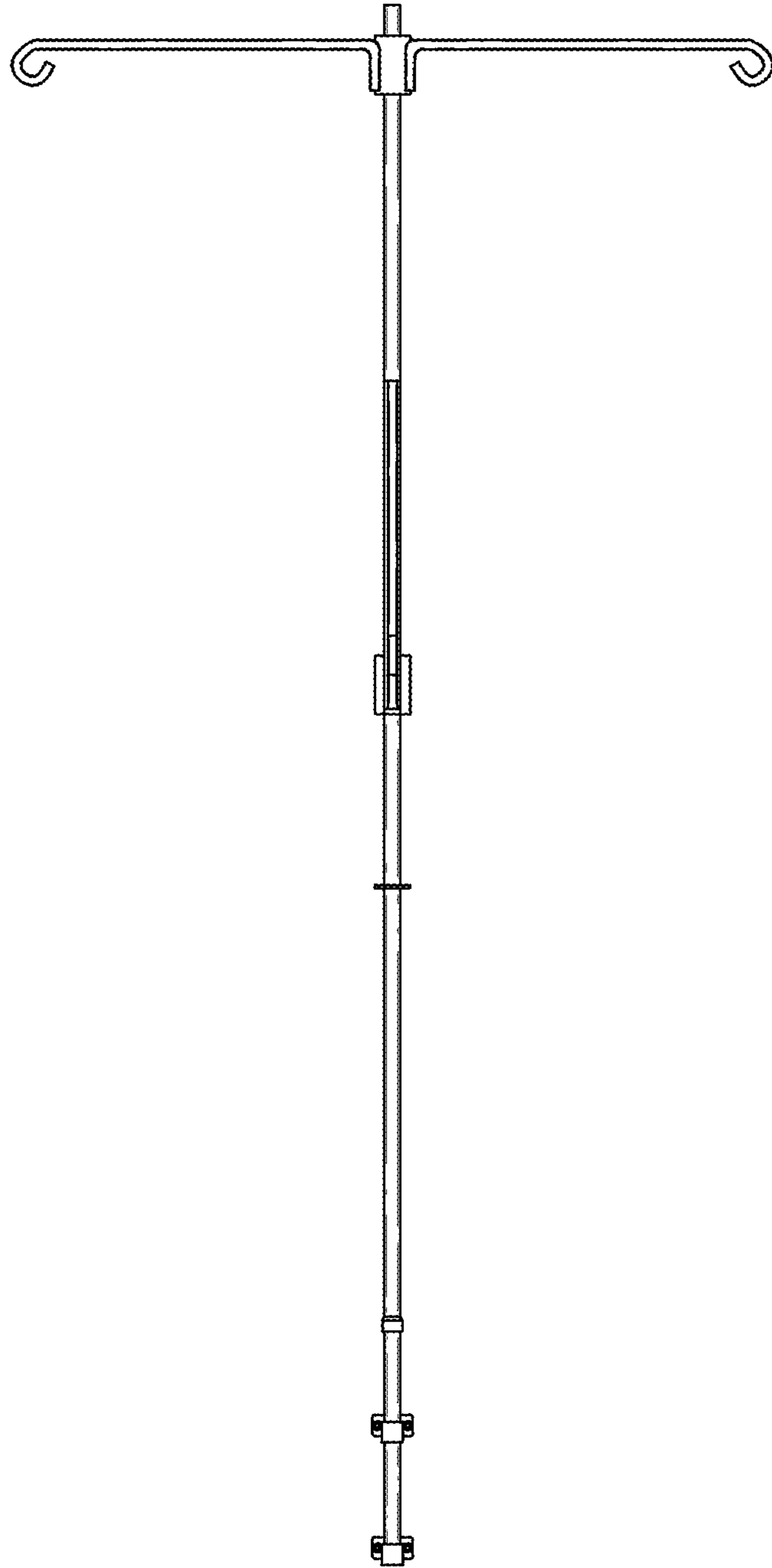


FIG. 3

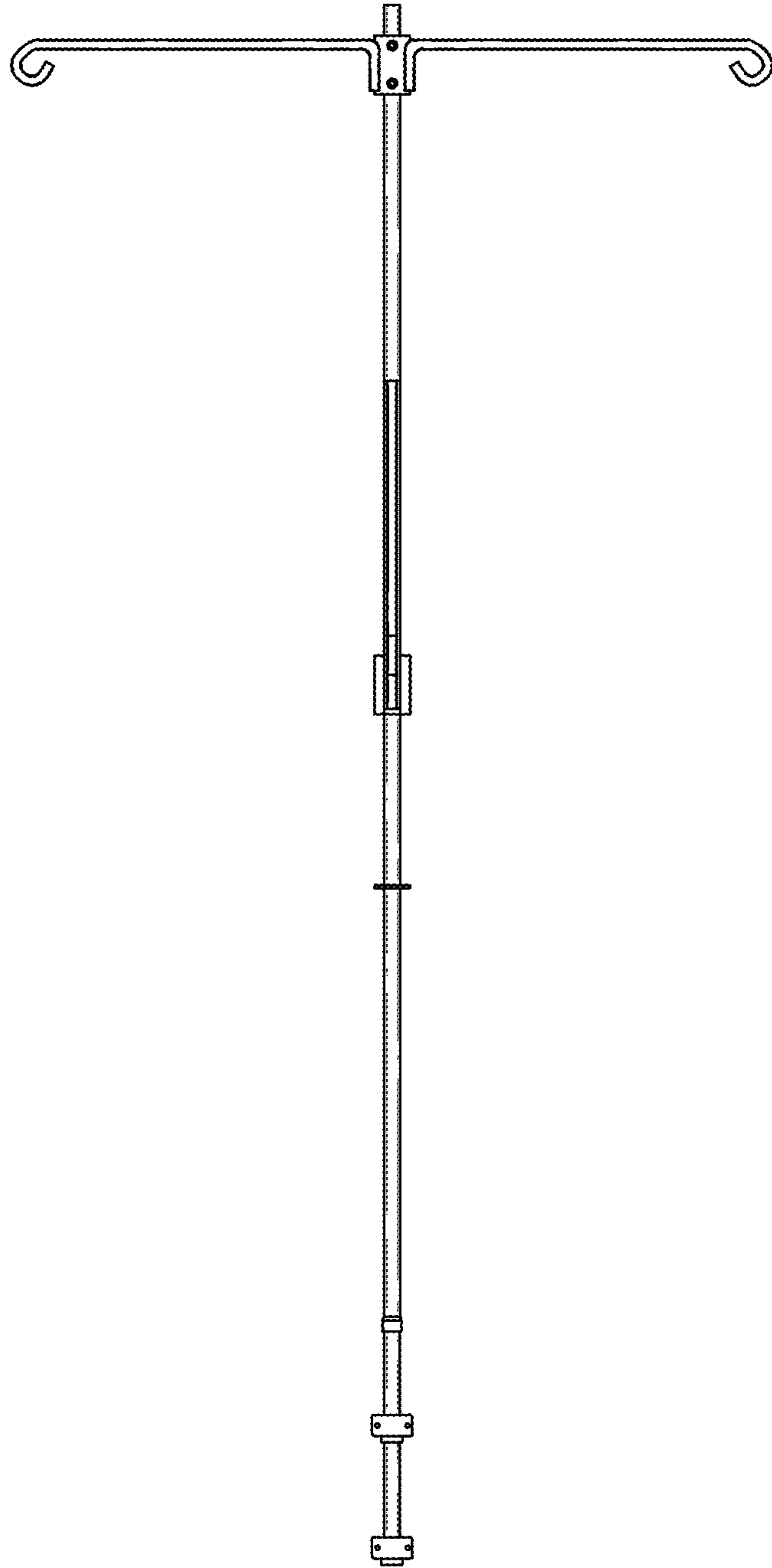


FIG. 4

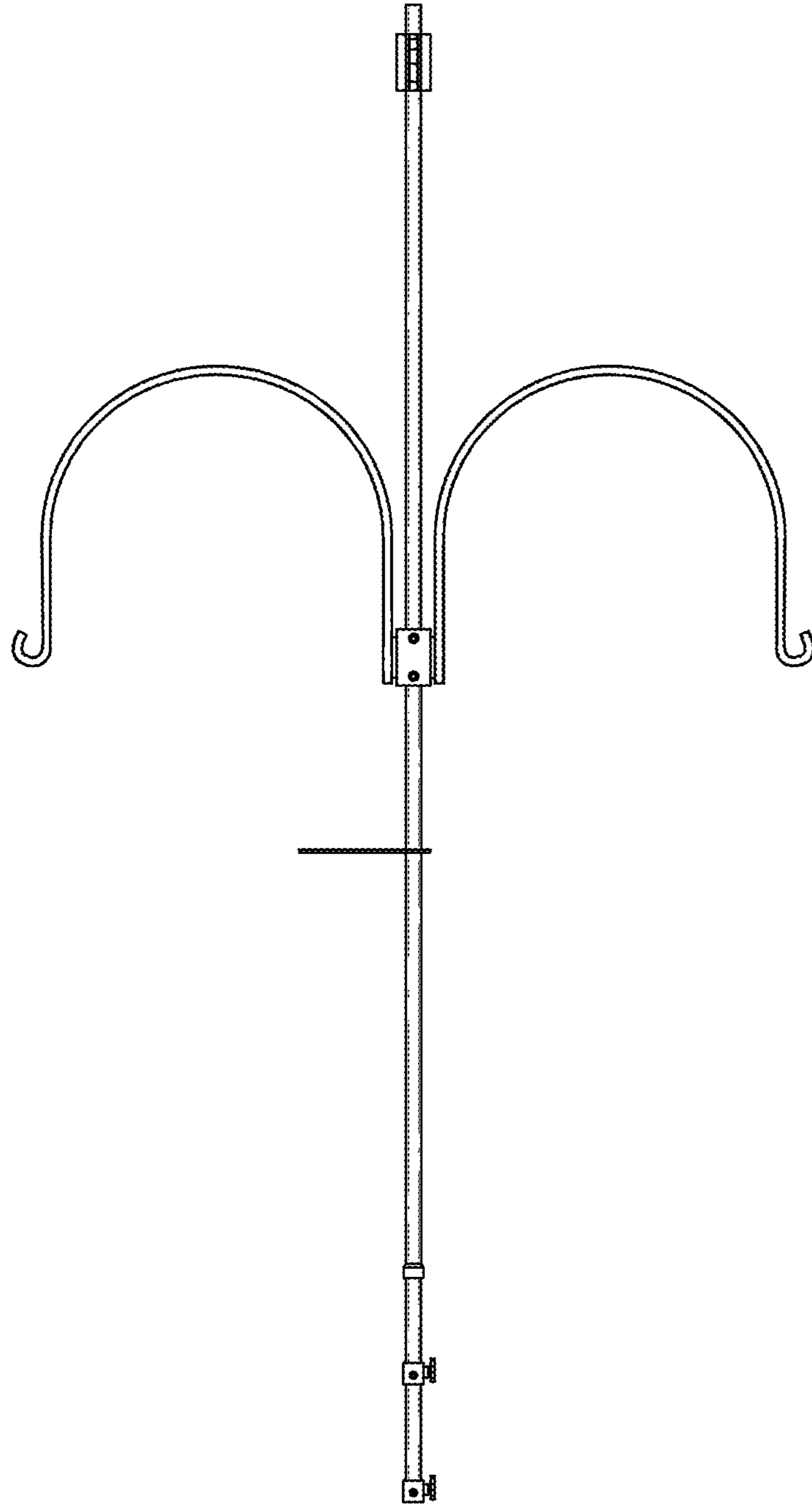


FIG. 5

6/9

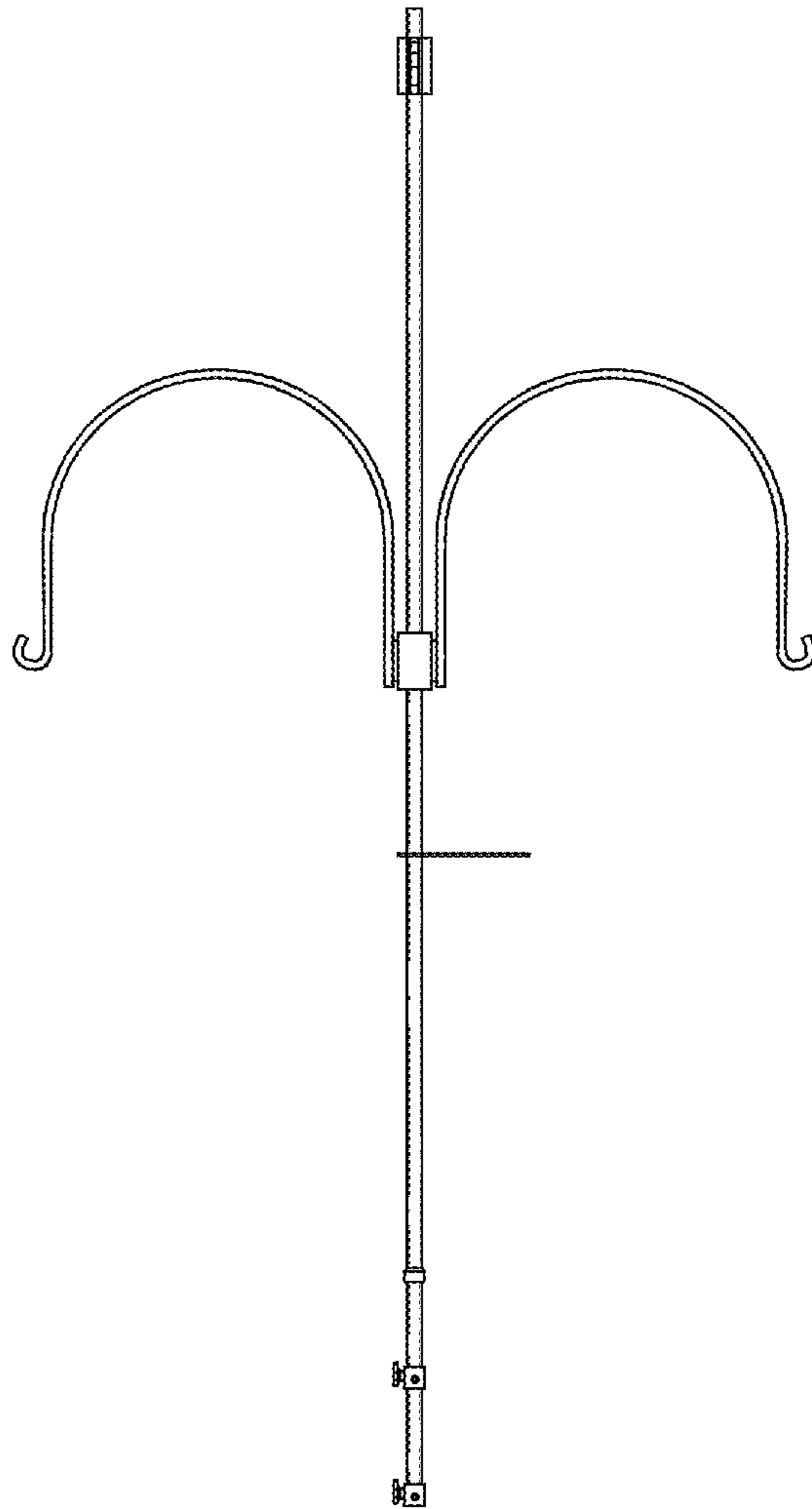


FIG. 6

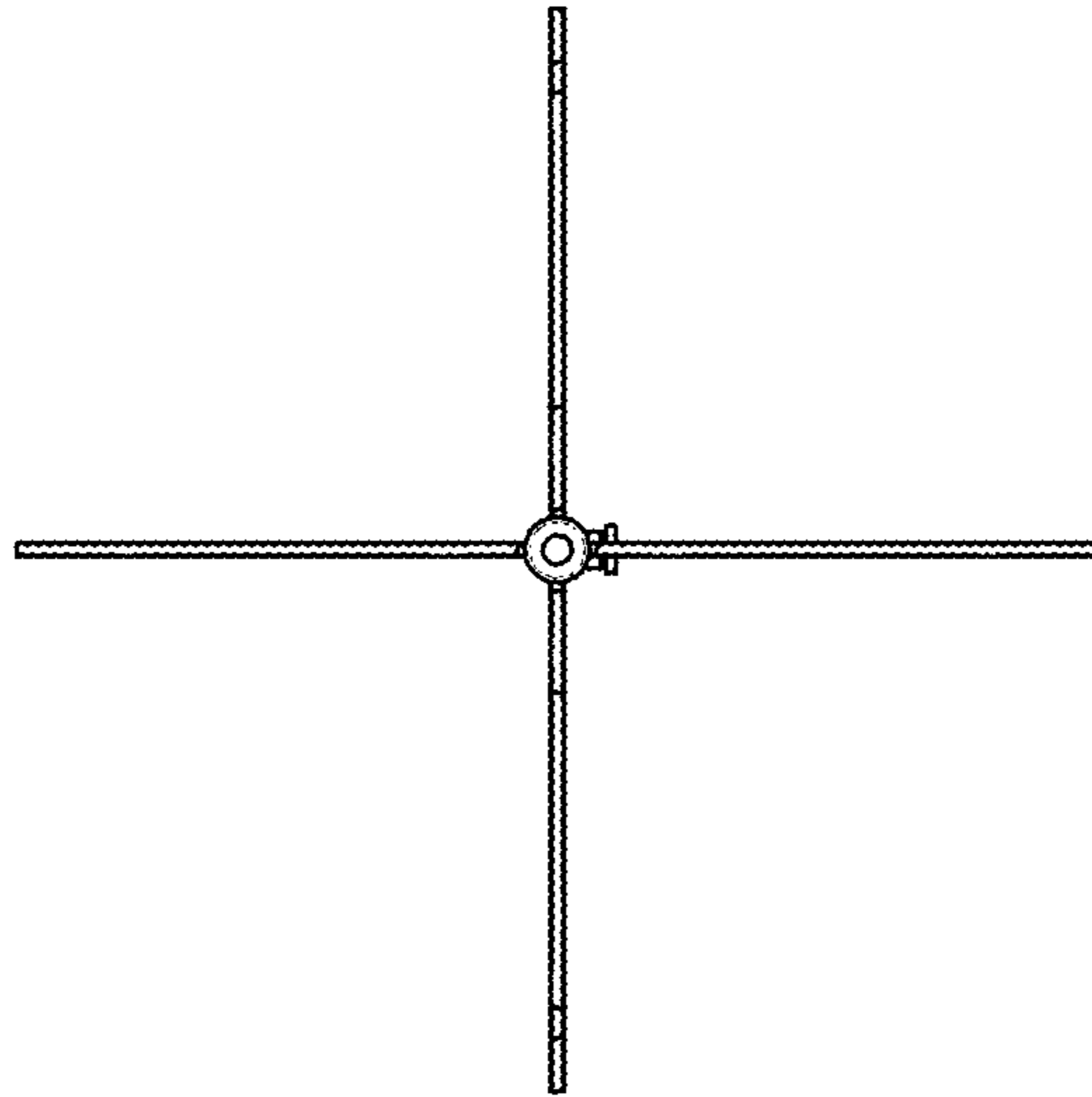


FIG. 7

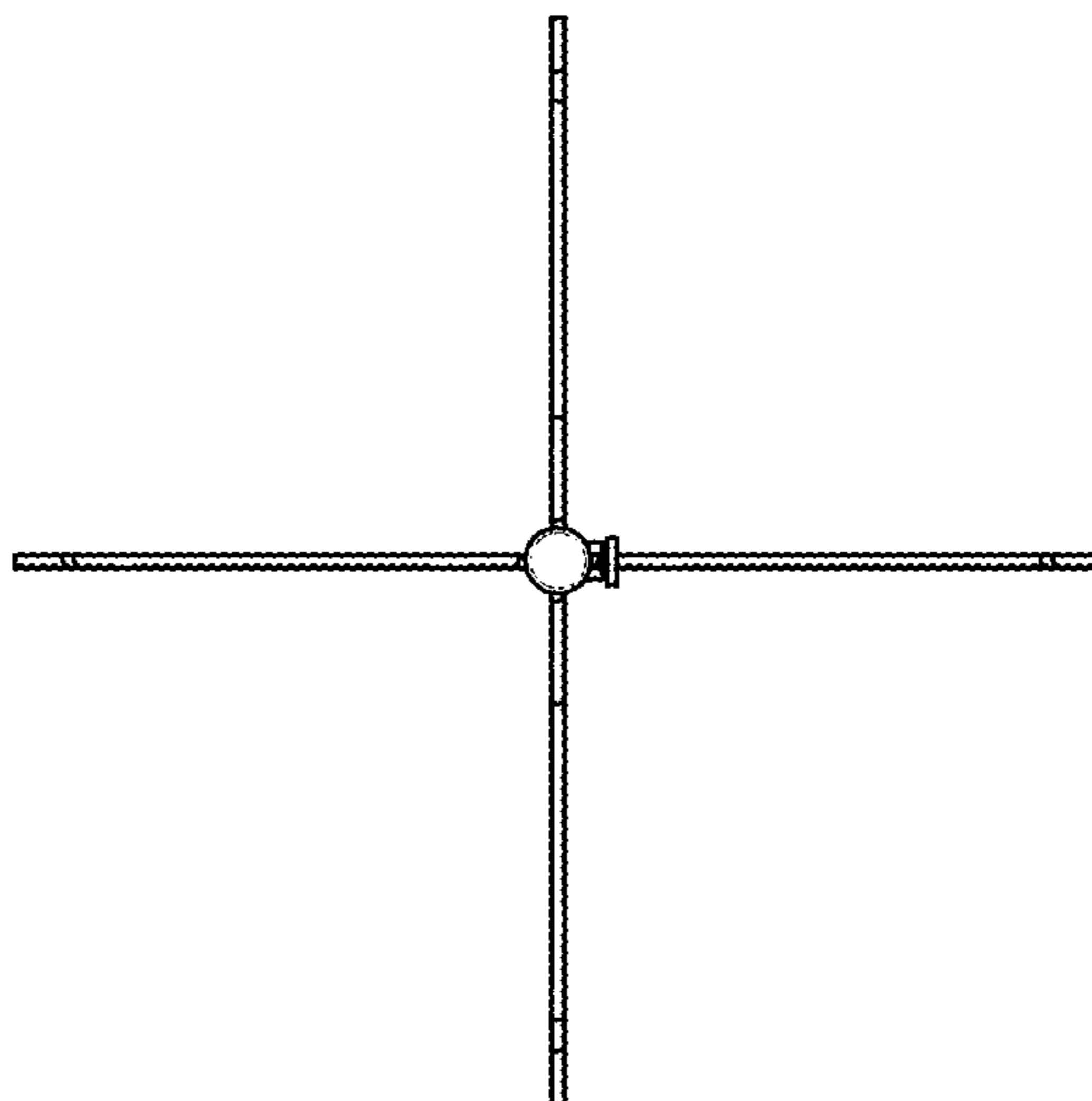


FIG. 8

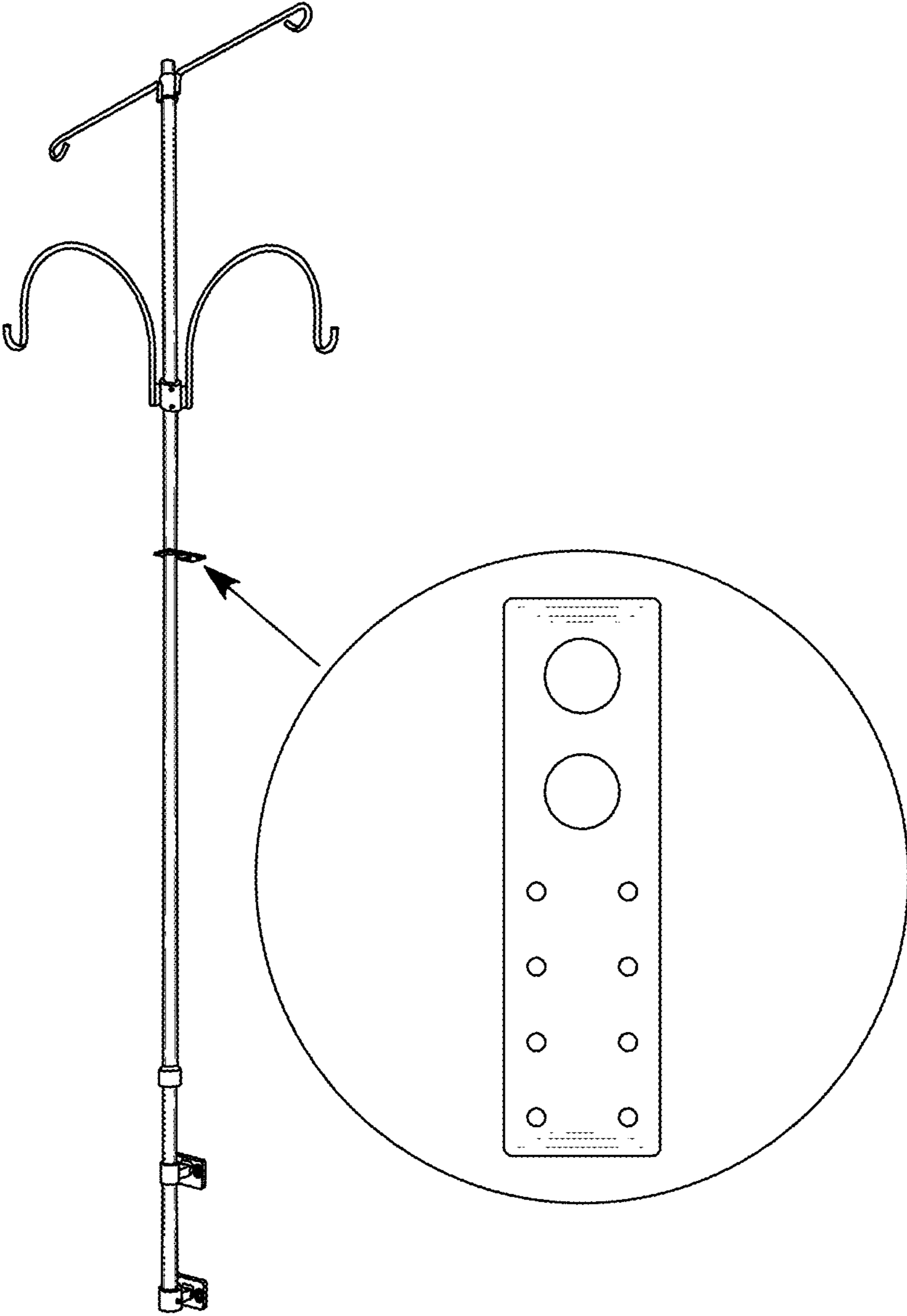


FIG. 9

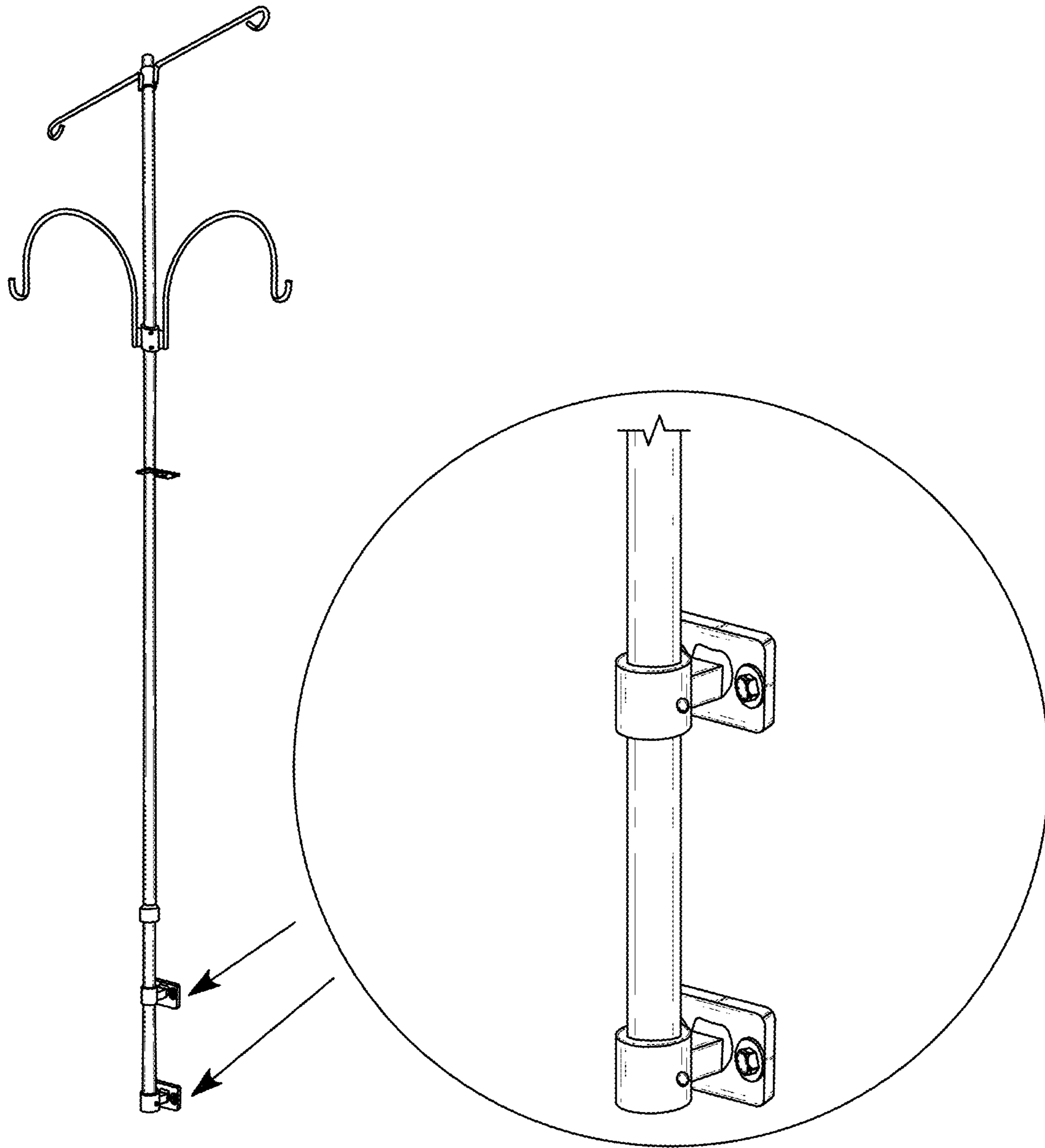


FIG. 10