



US00D871857S

(12) **United States Design Patent** (10) **Patent No.:** **US D871,857 S**  
**Carey** (45) **Date of Patent:** **\*\* Jan. 7, 2020**

(54) **CAKE STAND** 2013/0136829 A1\* 5/2013 Kandel ..... A47G 19/00  
 426/132

(71) Applicant: **American Crafts, L.C.**, Lindon, UT (US) \* cited by examiner

(72) Inventor: **Tavnir J. Carey**, South Jordan, UT (US) *Primary Examiner* — Terry A Wallace

(73) Assignee: **American Crafts, L.C.**, Lindon, UT (US) (74) *Attorney, Agent, or Firm* — Durham Jones & Pinegar, P.C.

(\*\*) Term: **15 Years**

(21) Appl. No.: **29/634,358**

(22) Filed: **Jan. 20, 2018**

(51) **LOC (12) Cl.** ..... **07-06**

(52) **U.S. Cl.**  
 USPC ..... **D7/610**

(58) **Field of Classification Search**  
 USPC ..... D7/610, 601, 558, 559, 584–586  
 CPC ..... A47G 19/00; A47G 19/26; A47B 57/00;  
 A21C 15/00; A21C 15/005; F21V 35/00;  
 A47F 7/0071; A21B 3/00

See application file for complete search history.

(56) **References Cited**

U.S. PATENT DOCUMENTS

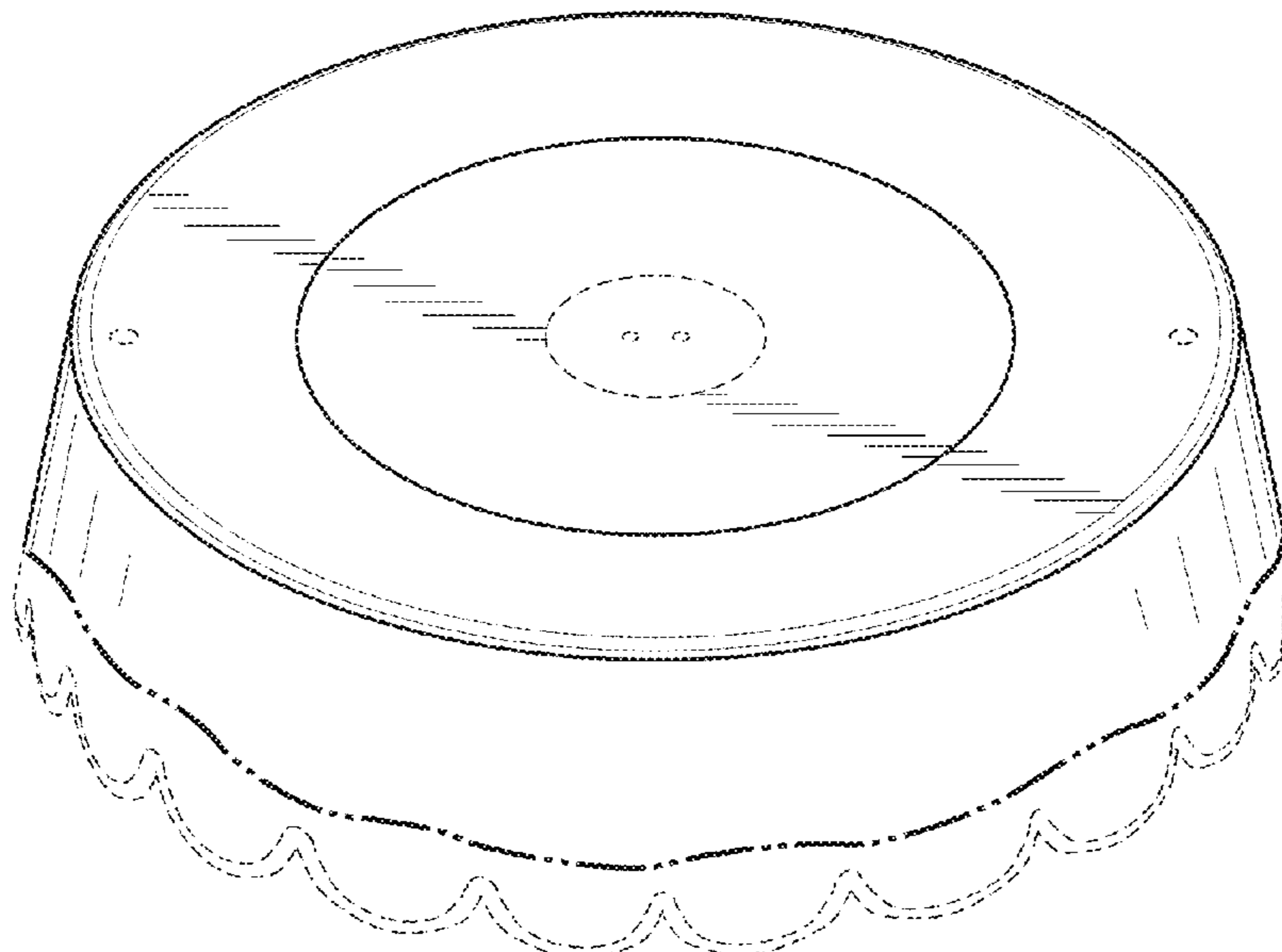
3,690,610 A \* 9/1972 Peirce ..... A21B 3/00  
 248/159  
 3,814,032 A \* 6/1974 McMains ..... A47F 7/0071  
 108/101  
 D357,160 S \* 4/1995 Fritze ..... D6/677.3  
 D362,787 S \* 10/1995 Burke ..... D7/501  
 D803,007 S \* 11/2017 Liao ..... D7/610  
 10,039,398 B1 \* 8/2018 Daneshvar ..... A47G 19/26  
 2010/0330240 A1 \* 12/2010 Jeffery ..... A21C 15/00  
 426/383  
 2011/0303131 A1 \* 12/2011 Goode ..... A47G 19/00  
 108/101

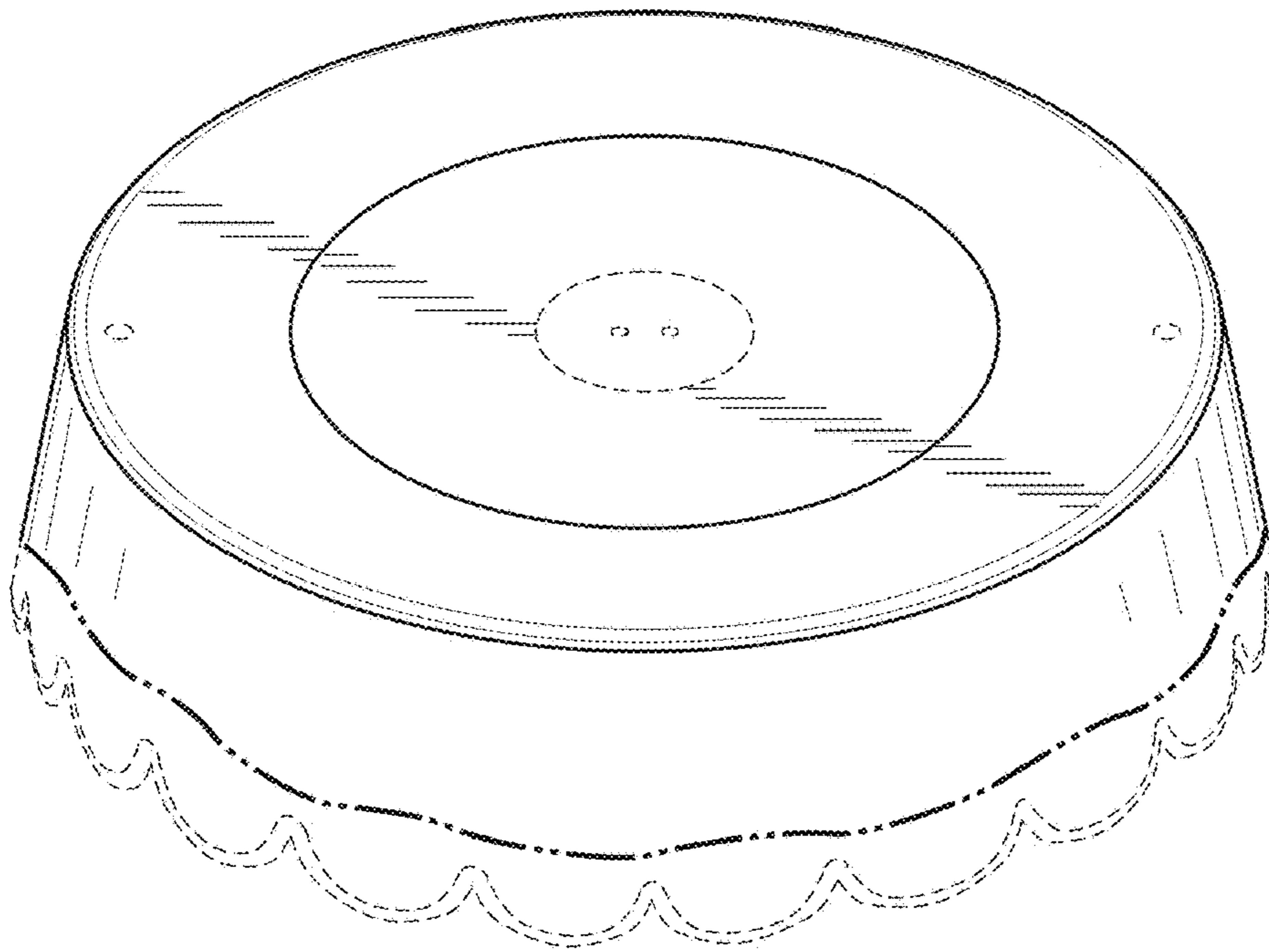
(57) **CLAIM**  
 The ornamental design for a cake stand, as shown and described.

**DESCRIPTION**

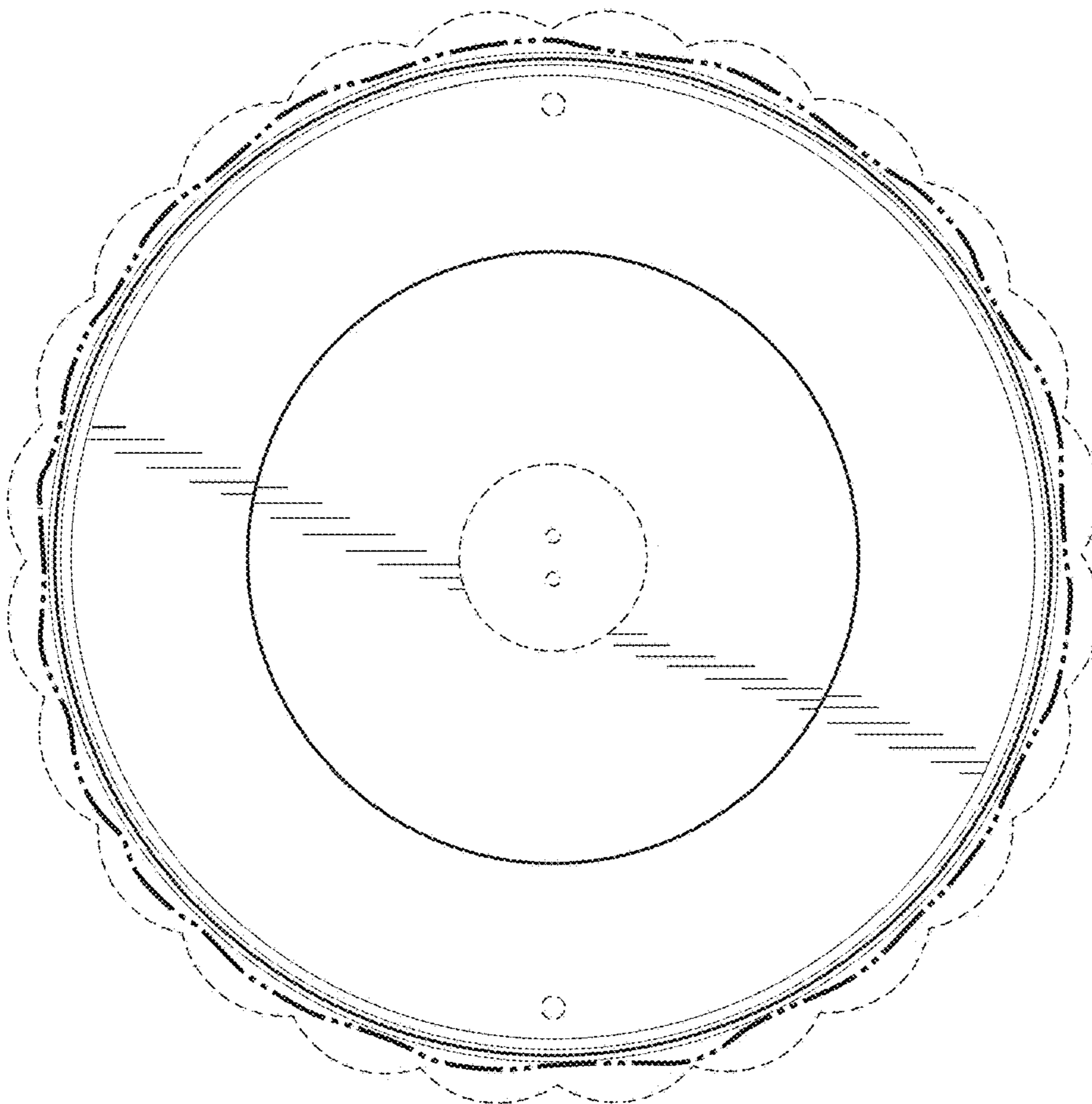
FIG. 1 is a perspective view of my new design for a cake stand;  
 FIG. 2 is a top view of the cake stand shown in FIG. 1;  
 FIG. 3 is a bottom view of the cake stand shown in FIG. 1;  
 FIG. 4 is a side view of the cake stand shown in FIG. 1;  
 FIG. 5 is a perspective view of the cake stand shown in FIG. 1, showing the cake stand in a first arrangement with a foot extending from a base of the cake stand;  
 FIG. 6 is a side view of the cake stand shown in FIG. 1, showing the cake stand in a second arrangement with the foot extending from the base of the cake stand and a second tier of the cake stand in a raised orientation relative to an main tier of an upper surface of the cake stand;  
 FIG. 7 is a perspective view of the cake stand shown in FIG. 1, with the cake stand in a third arrangement with the foot extending from the base of the cake stand, a second tier of the cake stand in a raised orientation, and a third tier of the cake stand in a raised orientation relative to the second tier; and,  
 FIG. 8 is a side view of the cake stand shown in FIG. 1, with the cake stand in the third arrangement shown in FIG. 7.  
 Broken lines are used in the drawings to illustrate features that form no part of the claimed design.  
 The dot dot dash lines are used to show the boundary line of the claimed design not being claimed.

**1 Claim, 5 Drawing Sheets**

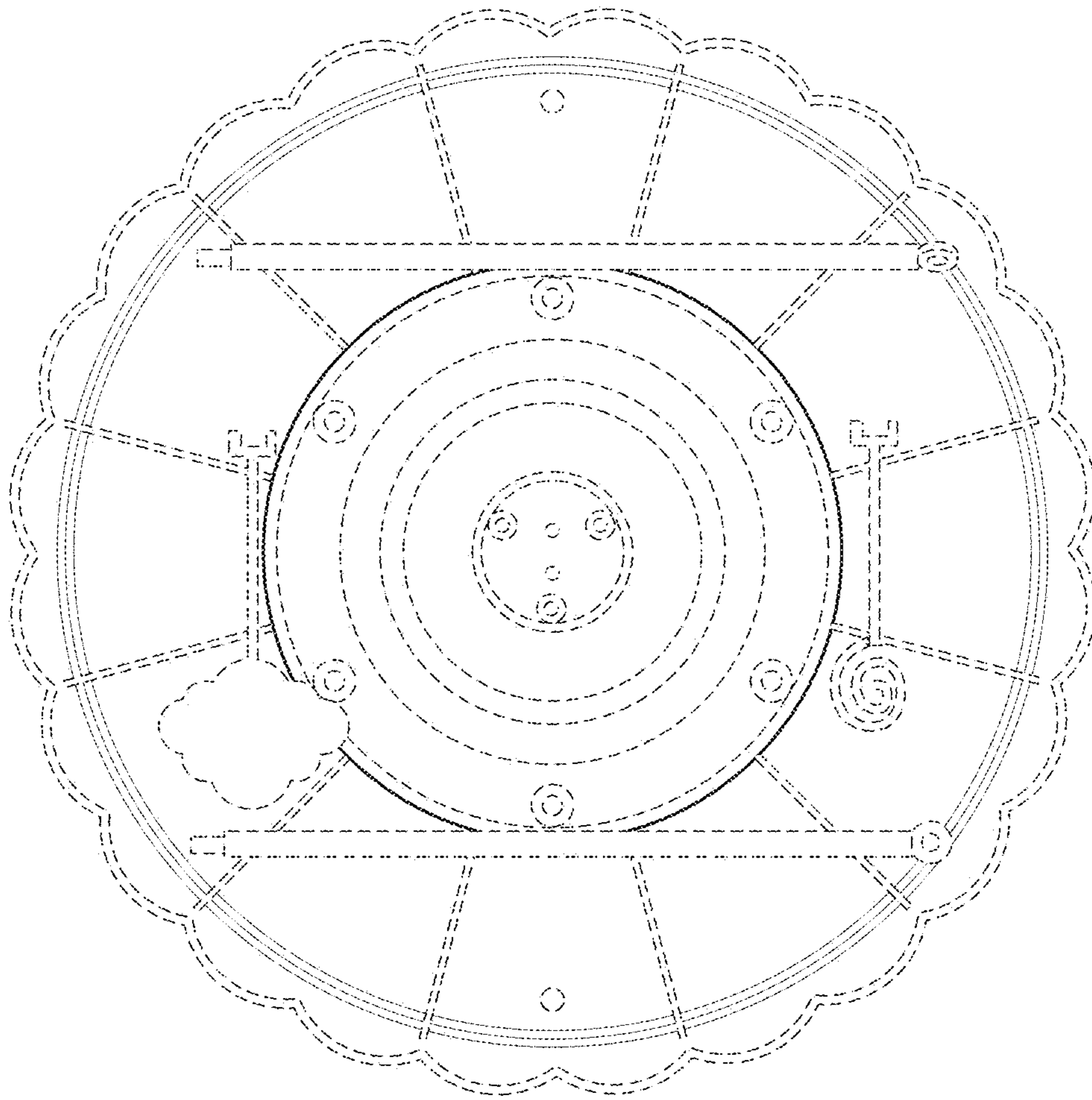




**FIG. 1**



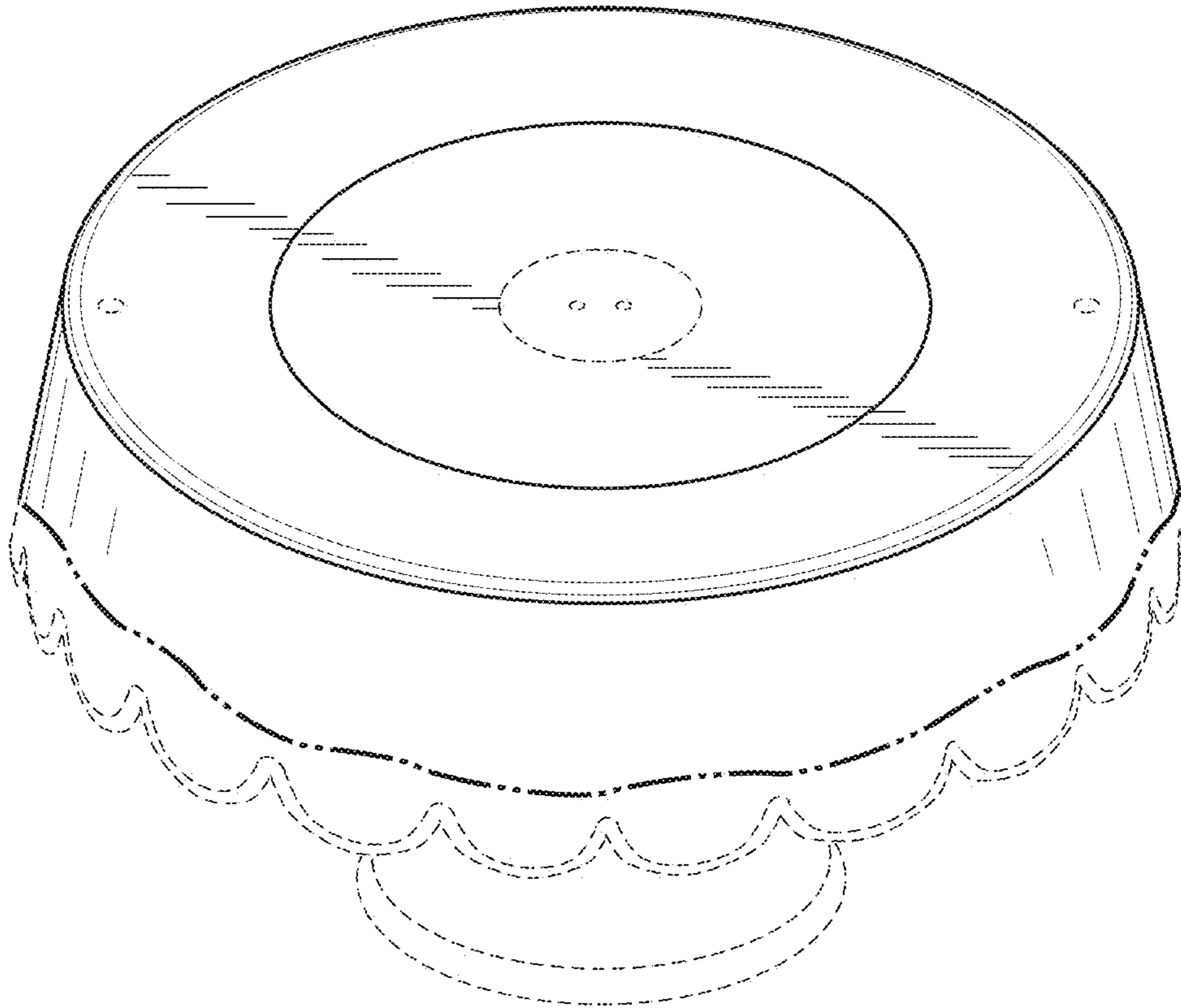
**FIG. 2**



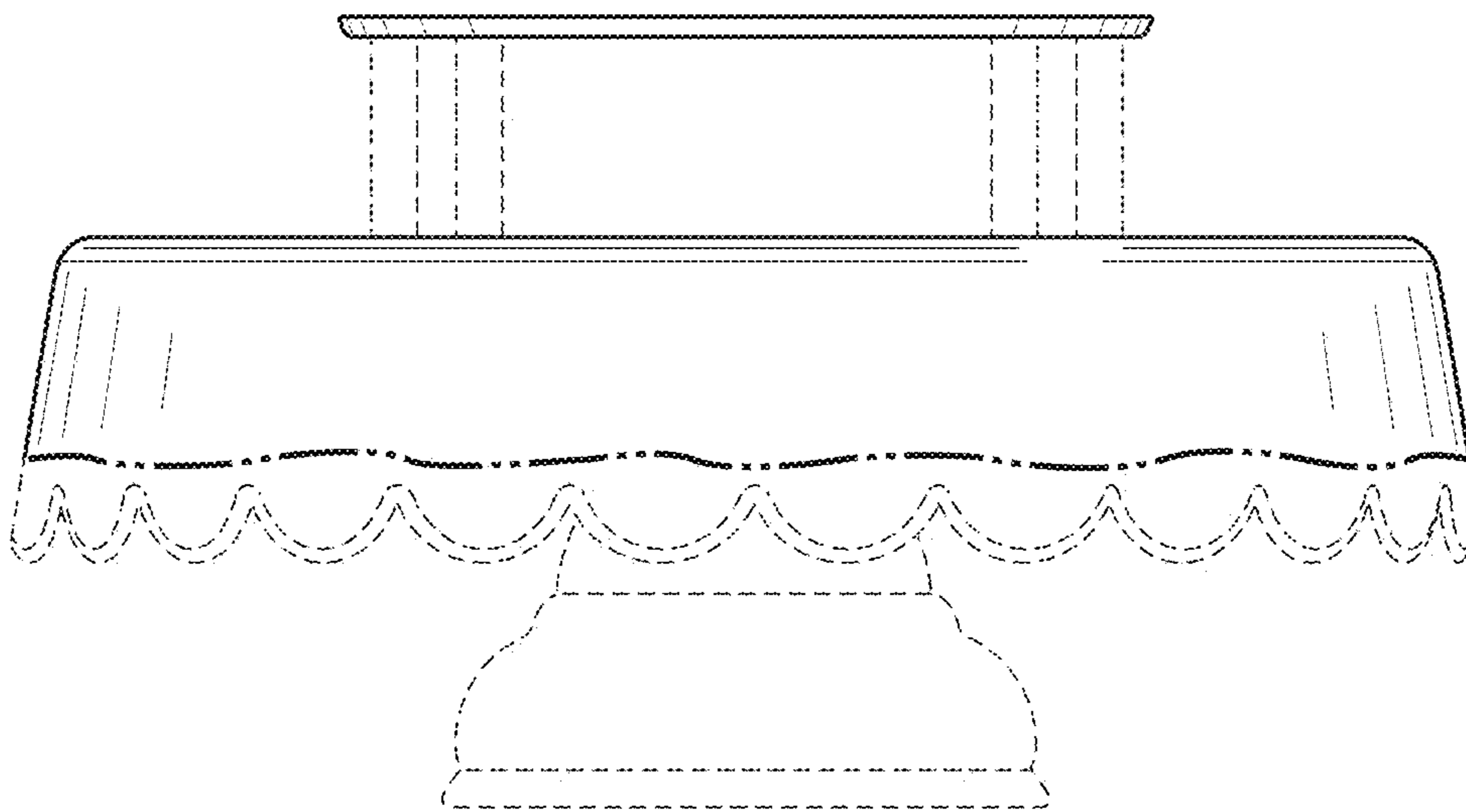
**FIG. 3**



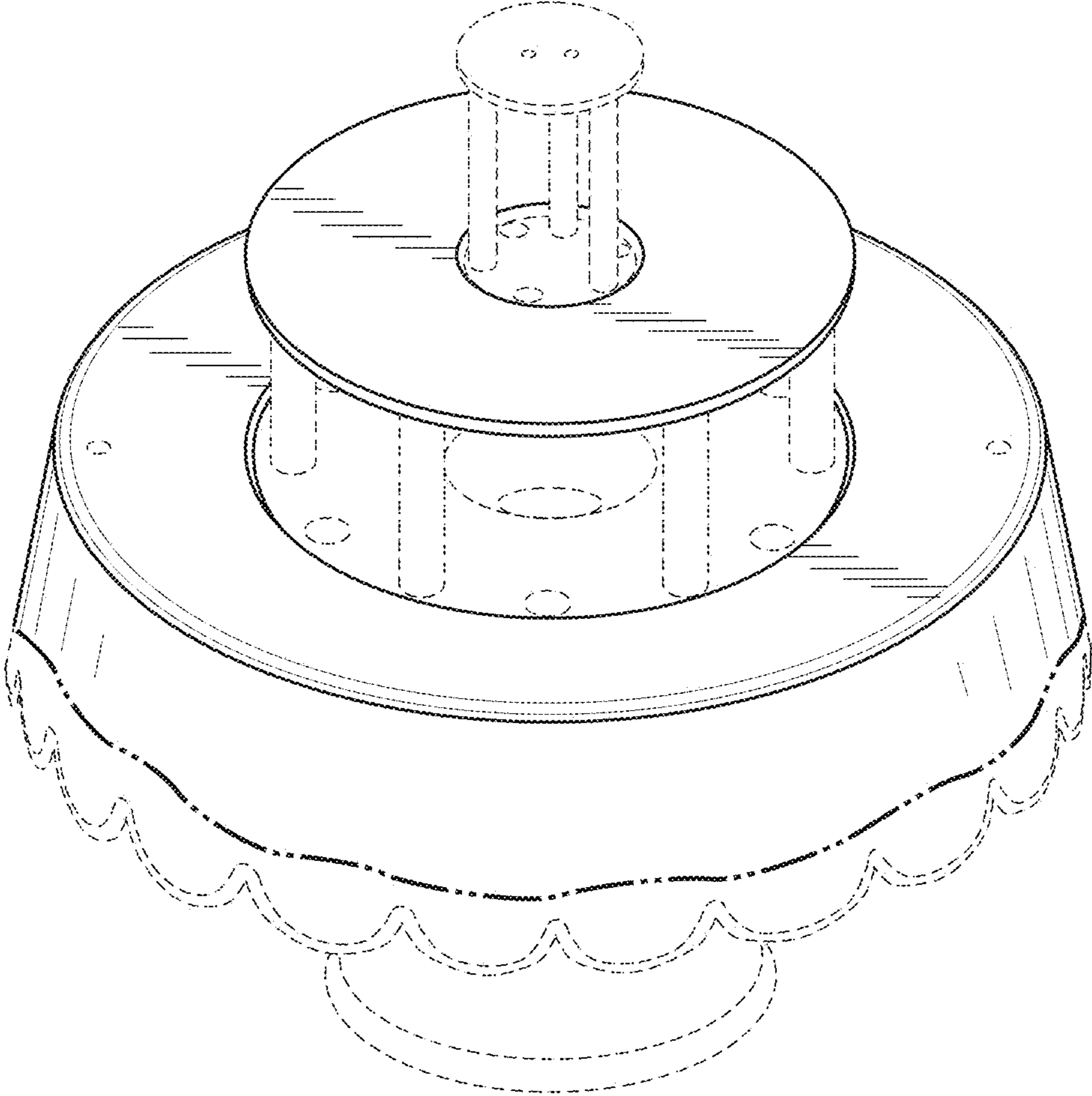
**FIG. 4**



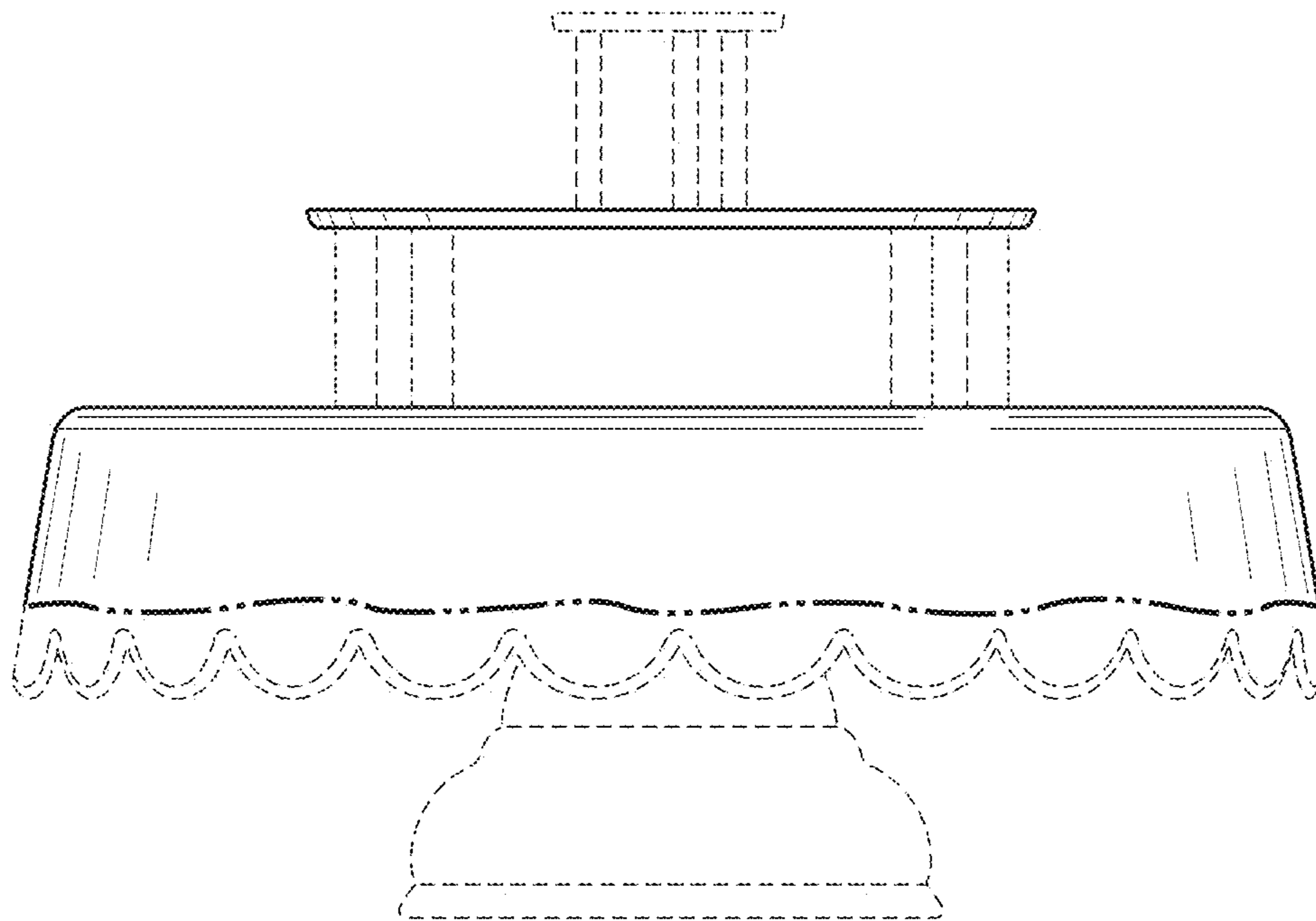
**FIG. 5**



**FIG. 6**



**FIG. 7**



**FIG. 8**