



US00D871854S

(12) **United States Design Patent**
Vickery

(10) **Patent No.:** **US D871,854 S**
(45) **Date of Patent:** **** Jan. 7, 2020**

- (54) **INSULATED SHOULDER BAG**
- (71) Applicant: **Initials, Inc.**, Clarkesville, GA (US)
- (72) Inventor: **Britney Vickery**, Clarkesville, GA (US)
- (**) Term: **15 Years**
- (21) Appl. No.: **29/653,320**
- (22) Filed: **Jun. 14, 2018**
- (51) **LOC (12) Cl.** **07-01**
- (52) **U.S. Cl.**
USPC **D7/607**
- (58) **Field of Classification Search**
USPC D7/605-607, 709, 710, 629; D3/283,
D3/289, 232, 233, 273, 274, 276, 301
CPC F25D 2331/804; F25D 3/08; F25D 3/06;
B65D 30/08; B65D 81/3858; B65D
81/3823; B65D 81/3888; B65D 81/18;
B65D 81/3897; B65D 81/3886; B65D
8/18; B65D 31/04; A45D 7/0077; B67D
3/0061; A45C 11/20; A45C 3/00; A45C
3/001; A63B 55/408
See application file for complete search history.

- 6,092,661 A * 7/2000 Mogil A63B 55/408
150/106
- 8,281,950 B2 * 10/2012 Potts A45C 7/0077
220/531
- 2007/0237432 A1 * 10/2007 Mogil A45C 7/0077
383/38
- 2015/0008242 A1 * 1/2015 Kpabar, Jr. B67D 3/0061
222/183
- 2016/0101924 A1 * 4/2016 Mitchell A45C 7/0077
220/592.2

* cited by examiner

Primary Examiner — Terry A Wallace
(74) *Attorney, Agent, or Firm* — Smith Tempel Blaha
LLC; Matthew T. Hoots

(57) **CLAIM**

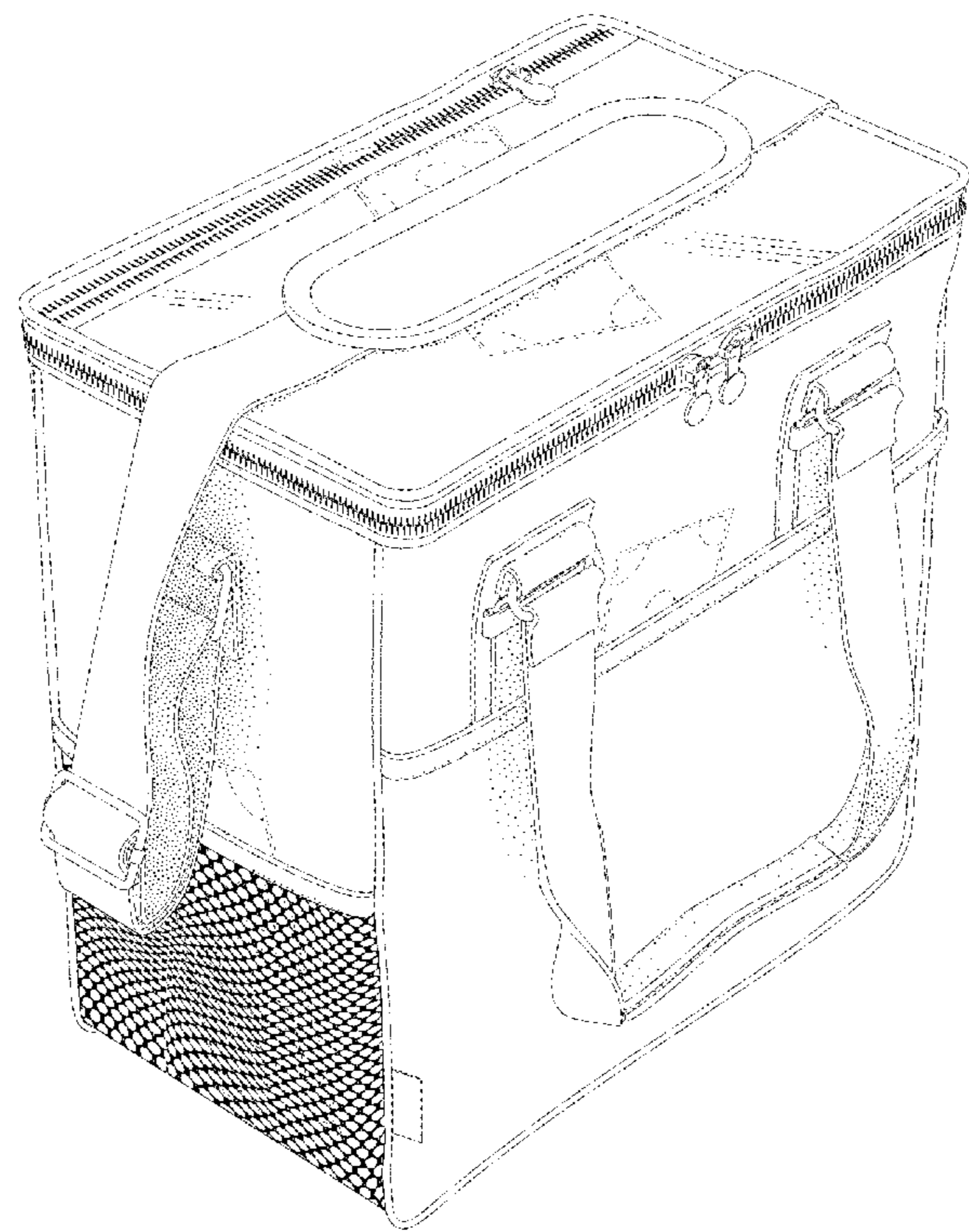
The ornamental design for an insulated shoulder bag, as shown and described.

DESCRIPTION

FIG. 1 is a top and front-side and left-side perspective view of an insulated shoulder bag showing my new design; FIG. 2 is a front-side view thereof; FIG. 3 is a back-side view thereof; FIG. 4 is a left-side view thereof; FIG. 5 is a right-side view thereof; FIG. 6 is a top view thereof; and, FIG. 7 is a bottom view thereof. The broken line showing of the dollar bills in FIGS. 1, 2, 4, 5 and 6 depict environment and form no part of the claimed design.

- (56) **References Cited**
U.S. PATENT DOCUMENTS
4,805,776 A * 2/1989 Namgyal A45C 3/00
206/523
D328,550 S * 8/1992 Mogil D7/605
D387,249 S * 12/1997 Mogil D7/607
6,068,402 A * 5/2000 Freese A45C 11/20
383/108

1 Claim, 7 Drawing Sheets



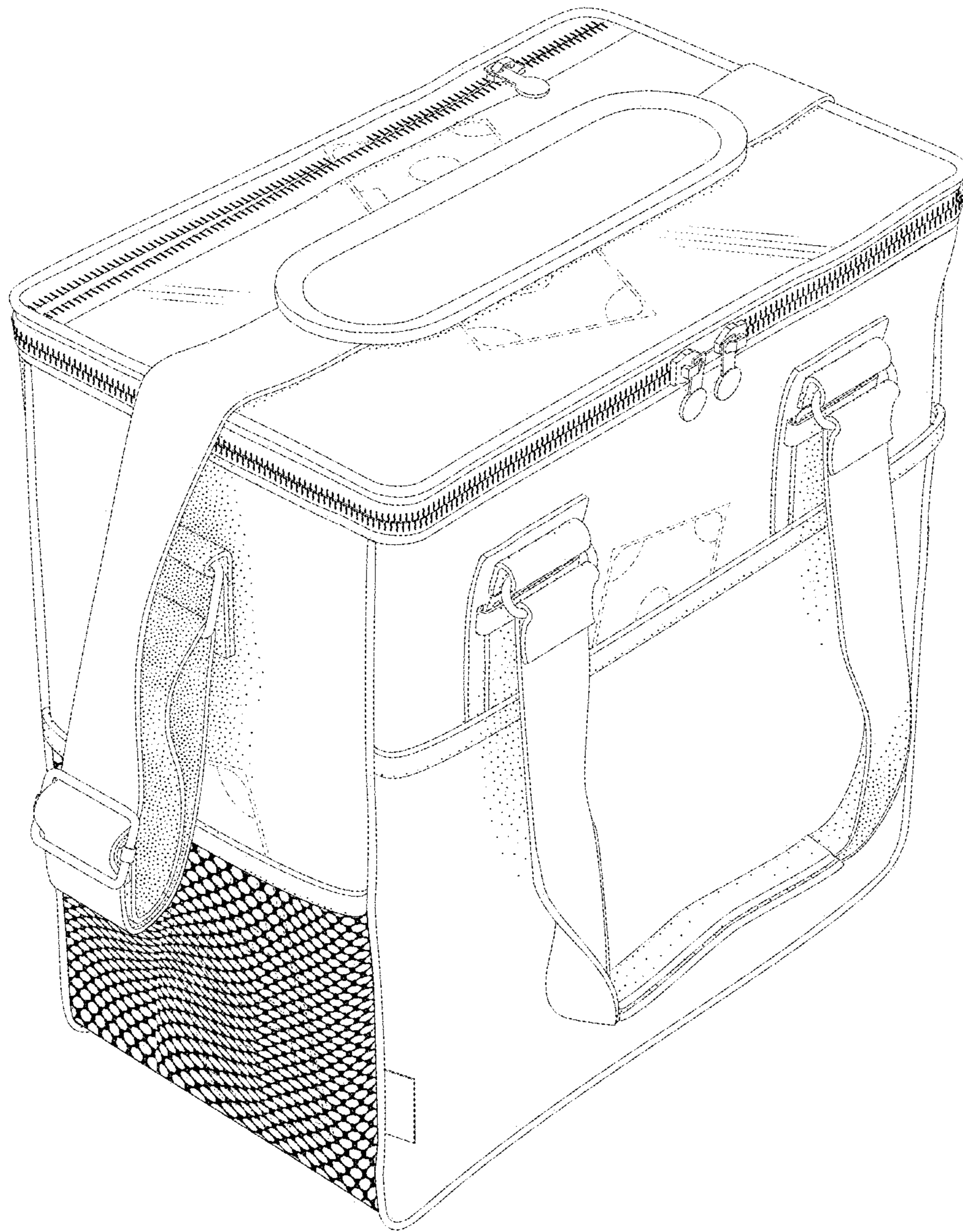


FIG. 1

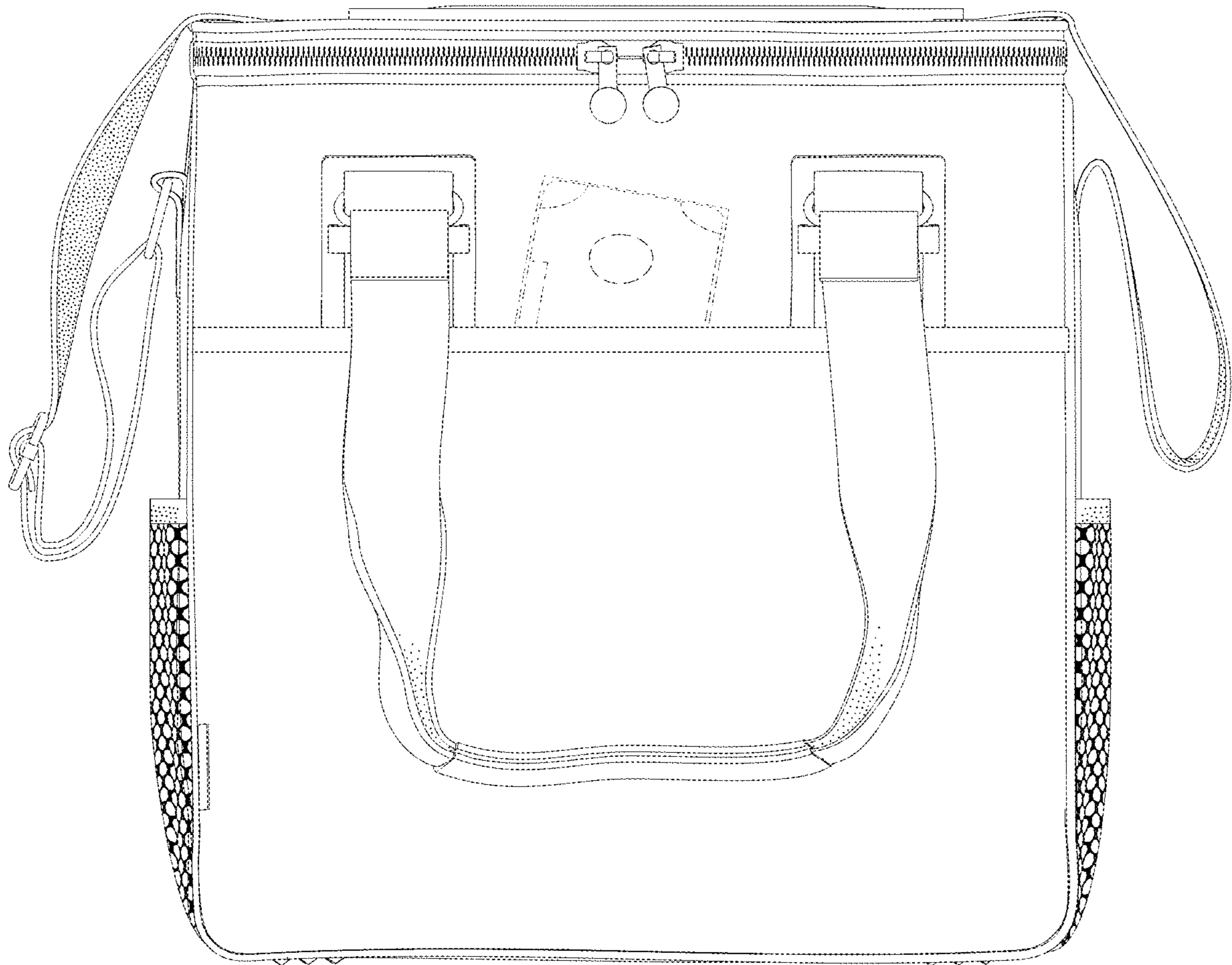


FIG. 2



FIG. 3

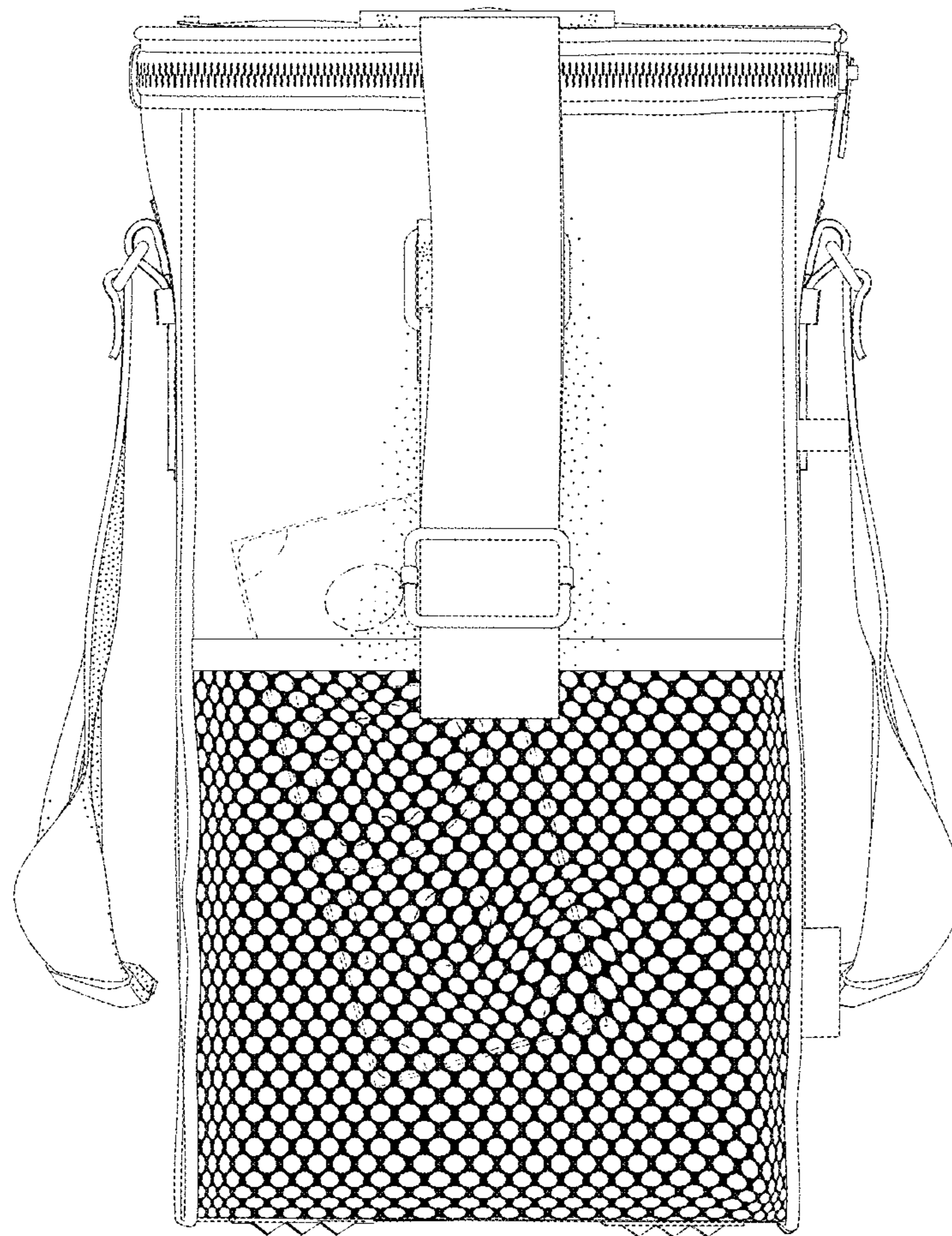


FIG. 4

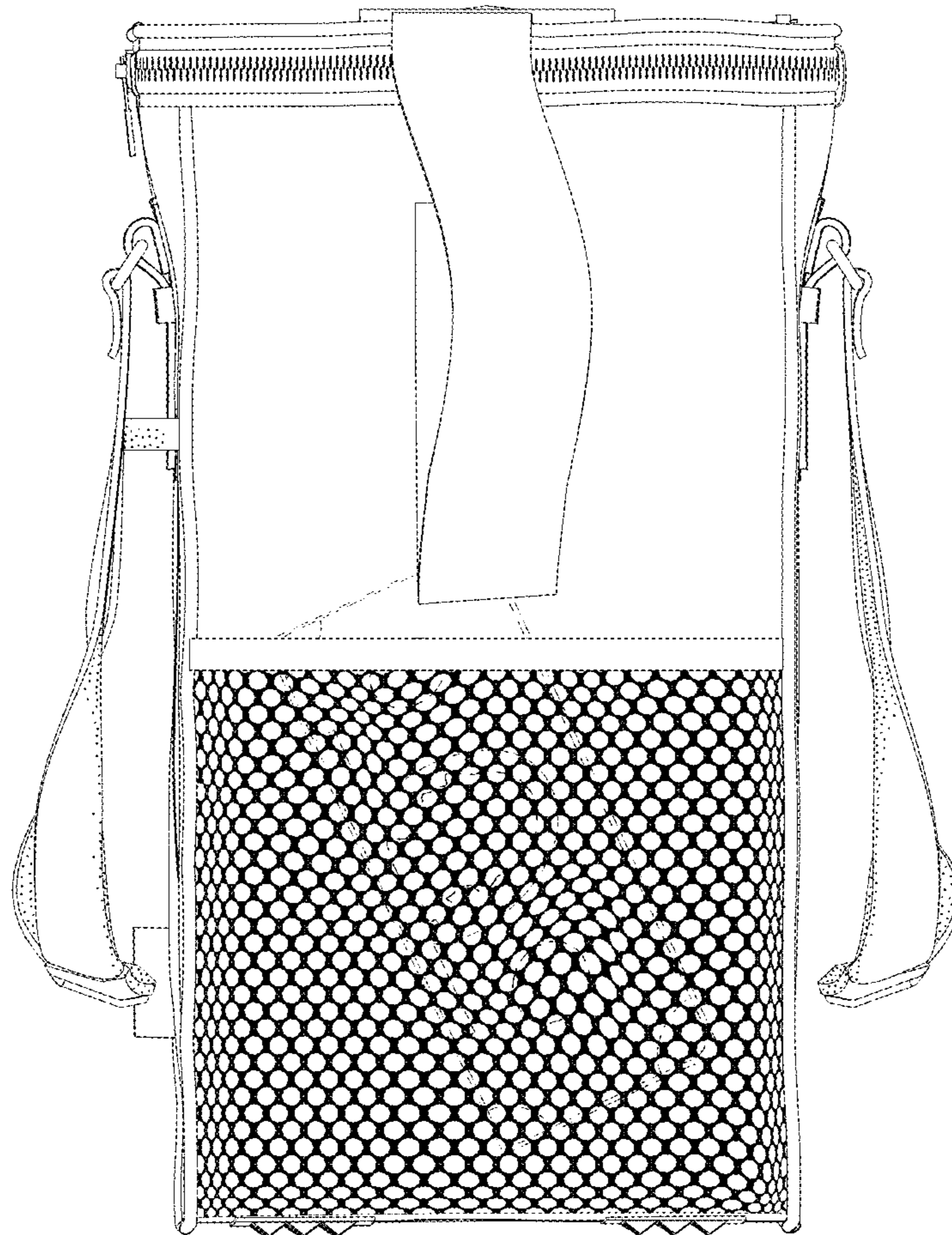


FIG. 5

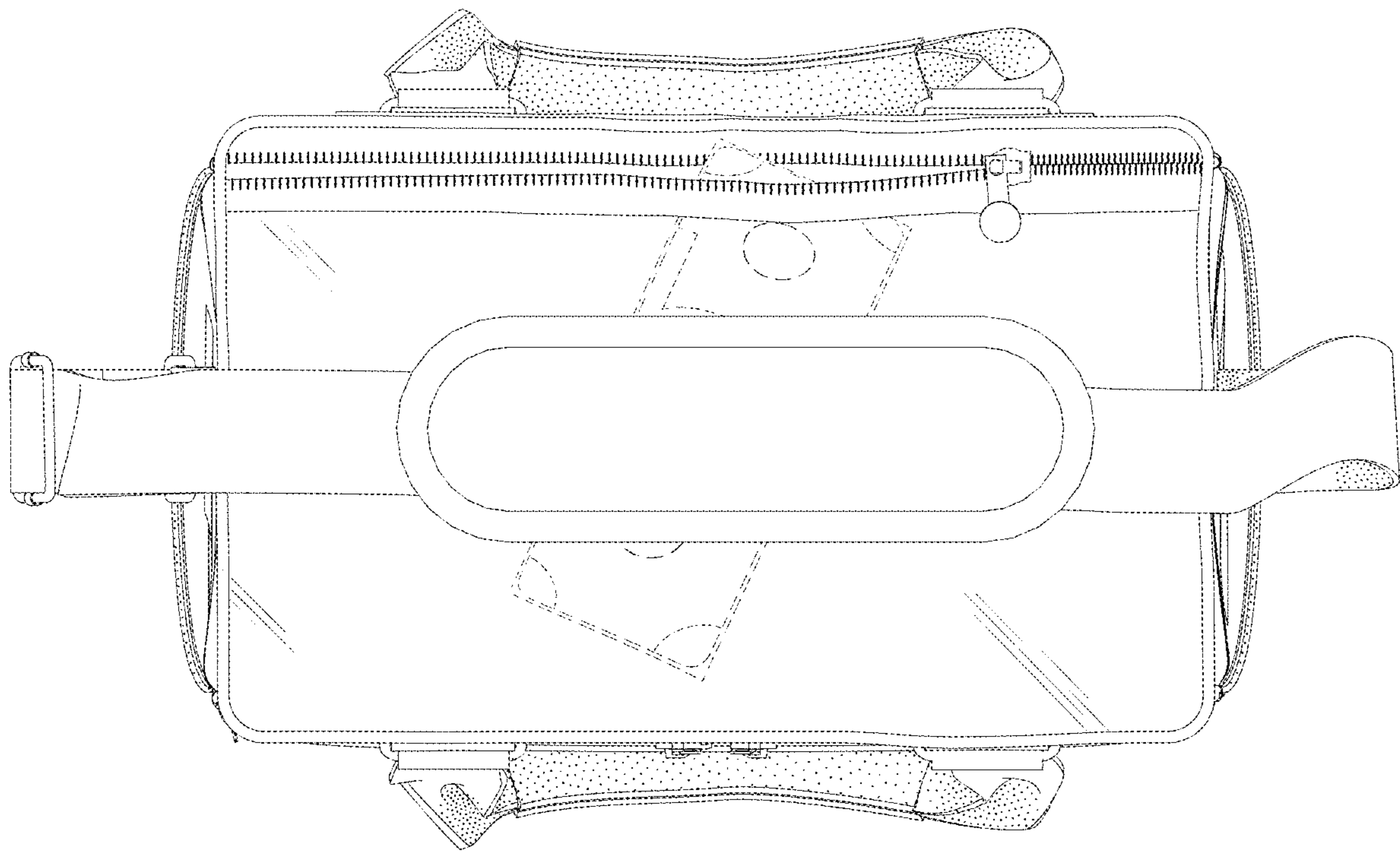


FIG. 6

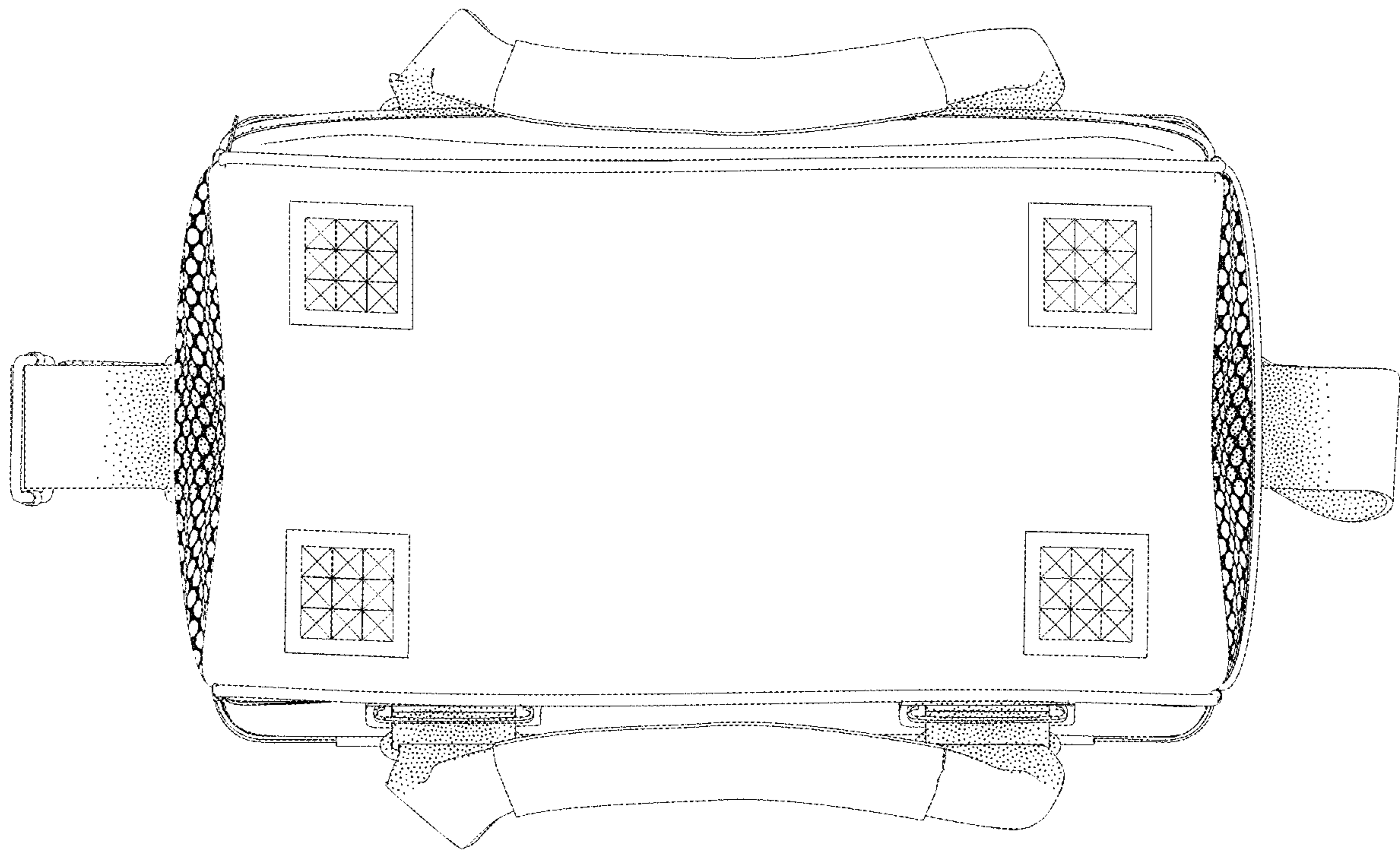


FIG. 7