

US00D871853S

(12) **United States Design Patent**
Kemker

(10) **Patent No.:** **US D871,853 S**
(45) **Date of Patent:** **** Jan. 7, 2020**

- (54) **SET OF BOWLS**
- (71) Applicant: **Vorwerk & Co. Interholding GmbH**,
Wuppertal (DE)
- (72) Inventor: **Uwe Kemker**, Wuppertal (DE)
- (73) Assignee: **Vorwerk & Co. Interholding GmbH**,
Wuppertal (DE)
- (**) Term: **15 Years**
- (21) Appl. No.: **29/662,620**
- (22) Filed: **Sep. 6, 2018**
- (30) **Foreign Application Priority Data**
 - Mar. 7, 2018 (EM) 004744415-0005
 - Mar. 7, 2018 (EM) 004744415-0006
- (51) **LOC (12) Cl.** **07-01**
- (52) **U.S. Cl.**
USPC **D7/584**
- (58) **Field of Classification Search**
USPC D7/500, 587, 565, 560, 543, 584;
D30/130
CPC A47G 19/025; A47G 19/02
See application file for complete search history.

D504,197 S *	4/2005	Huthmaker	D30/129
D505,830 S *	6/2005	Smith	D7/509
D514,385 S *	2/2006	Smith	D7/509
D514,884 S *	2/2006	Smith	D7/509
D568,686 S *	5/2008	Luft	D7/543
D618,861 S *	6/2010	Bahnean	D30/130
D627,198 S *	11/2010	Hull	D7/500
D672,209 S *	12/2012	Lion	D7/629
D672,618 S *	12/2012	Stamper	D7/602
D684,430 S *	6/2013	Holdering	D7/555
D701,430 S *	3/2014	Hohnstein	D7/553.8
D771,443 S *	11/2016	Griffin	D7/505
D799,274 S *	10/2017	Hewitt	D7/531
D800,501 S *	10/2017	Rummel	D7/509
D830,124 S *	10/2018	Krivos	D7/413
D836,397 S *	12/2018	Silsby	A47J 19/022
				D7/523
D839,678 S *	2/2019	Bruner	D7/531
D845,076 S *	4/2019	Brownell	D7/545
D847,577 S *	5/2019	Khan	D7/523
D847,578 S *	5/2019	Khan	D7/523
D847,579 S *	5/2019	Khan	D7/523

(Continued)

Primary Examiner — Cynthia R Underwood
(74) *Attorney, Agent, or Firm* — Stetina Brunda Garred and Brucker

(57) **CLAIM**

The ornamental design for the set of bowls, as shown and described.

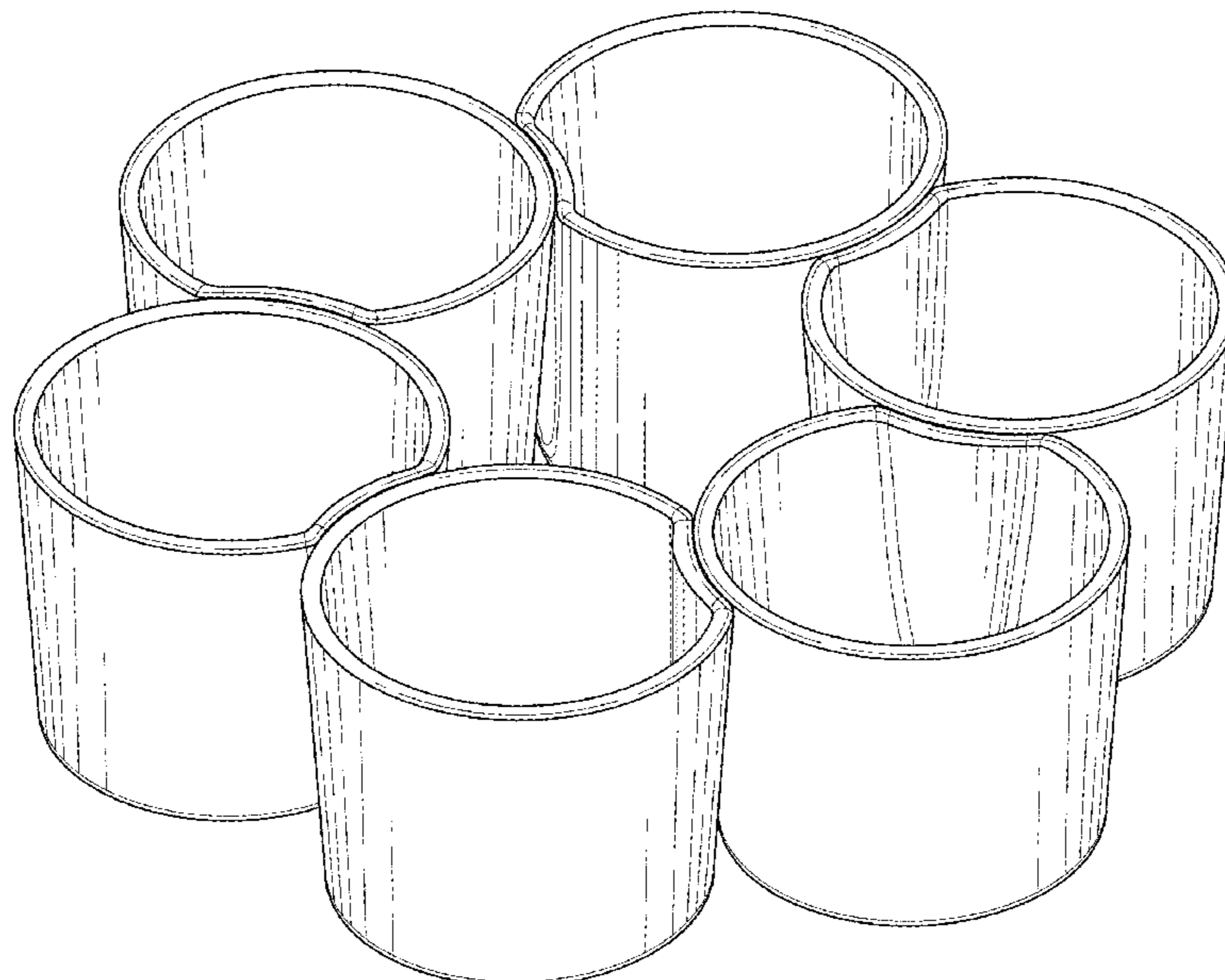
DESCRIPTION

FIG. 1 is a front perspective view of the set of bowls showing my new design;
FIG. 2 is a front view thereof;
FIG. 3 is a rear view of thereof;
FIG. 4 is a right side view thereof;
FIG. 5 is a left side view thereof;
FIG. 6 is a top view thereof; and,
FIG. 7 is a bottom view thereof.

1 Claim, 5 Drawing Sheets

- (56) **References Cited**
U.S. PATENT DOCUMENTS

D207,198 S *	3/1967	Robert	D30/133
D259,625 S *	6/1981	Hamilton	D9/428
D276,401 S *	11/1984	Daenen	D7/602
D276,402 S *	11/1984	Daenen	D7/602
D280,281 S *	8/1985	Conti	D7/602
D353,083 S *	12/1994	Simon	D3/316
D399,099 S *	10/1998	Cousins	D7/615
D400,402 S *	11/1998	Petkovich, Jr.	D7/549
D446,684 S *	8/2001	Price	D7/509



(56)

References Cited

U.S. PATENT DOCUMENTS

D850,857 S * 6/2019 Bruner D7/531
2008/0011235 A1* 1/2008 Bahnean A01K 5/0114
119/61.5

* cited by examiner

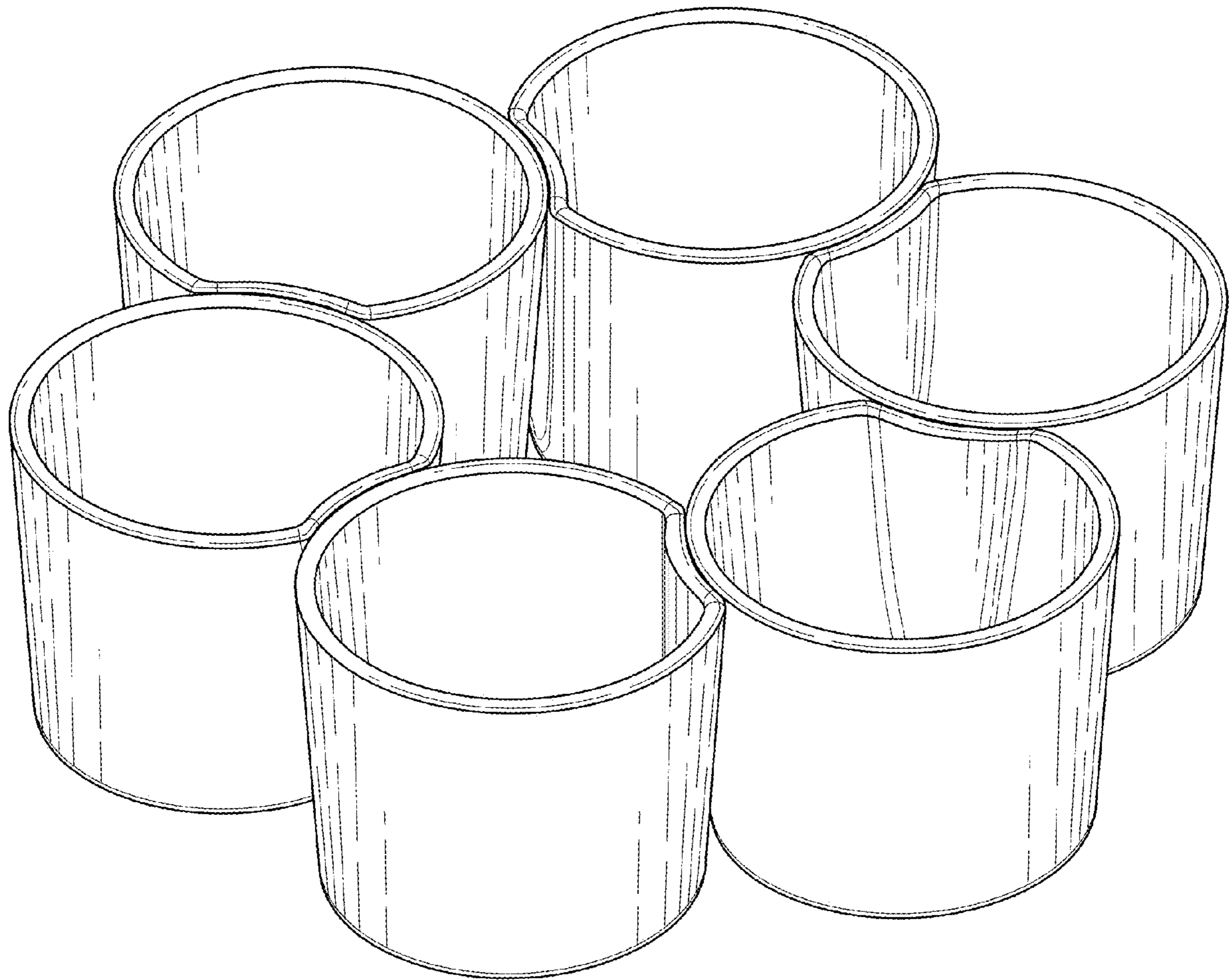


FIG. 1

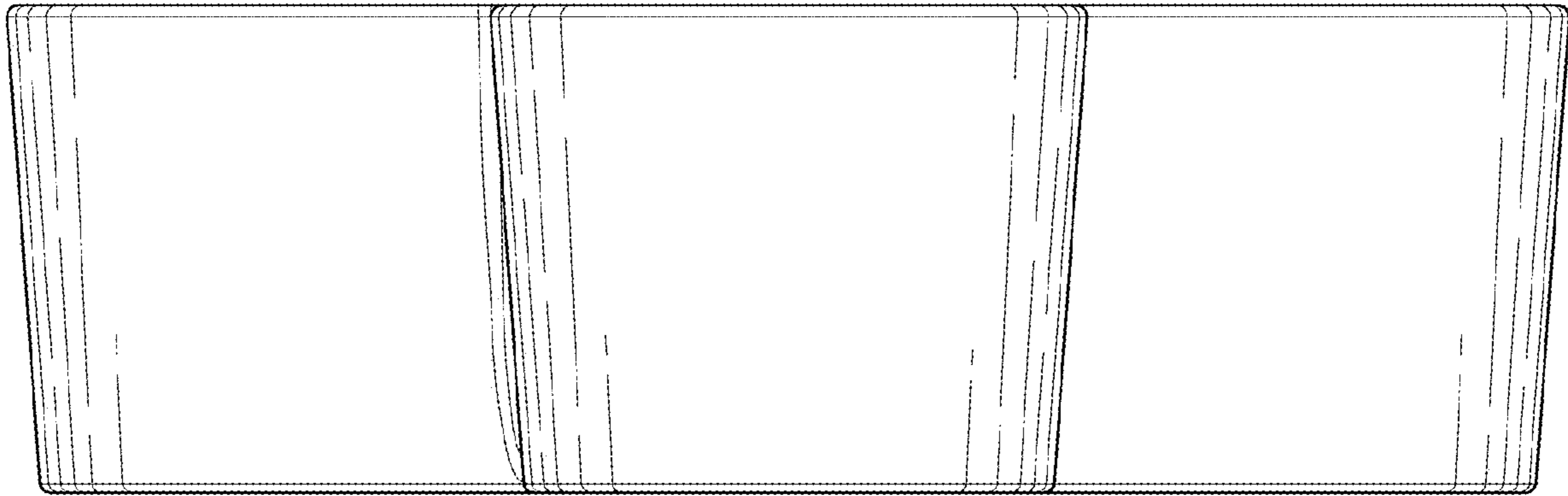


FIG. 2

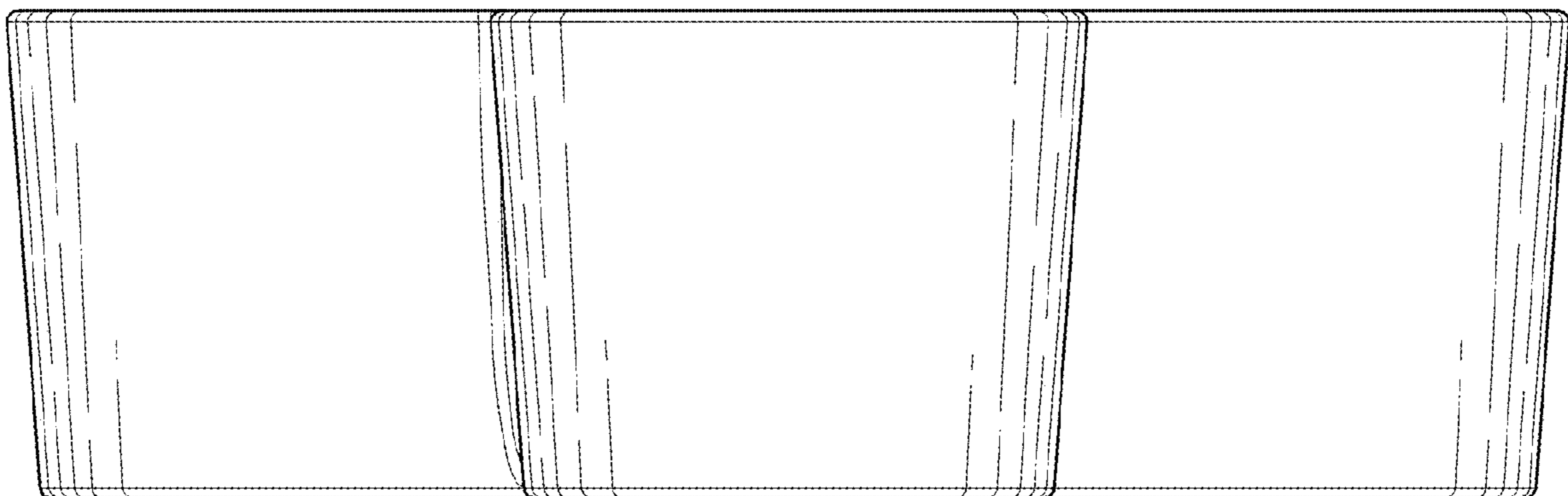


FIG. 3

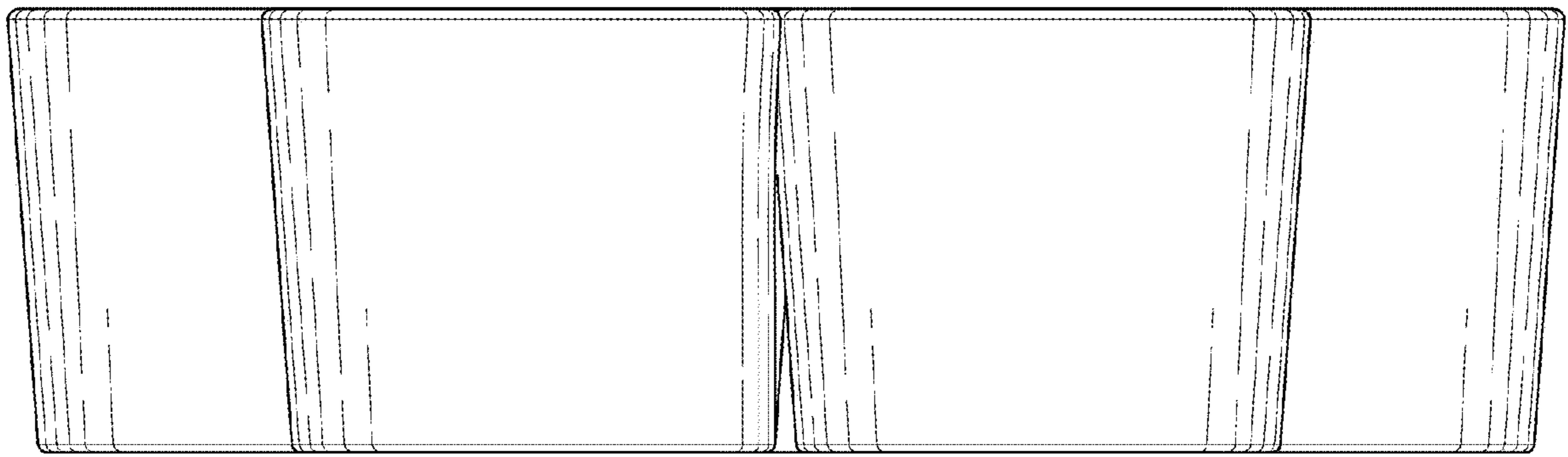


FIG. 4

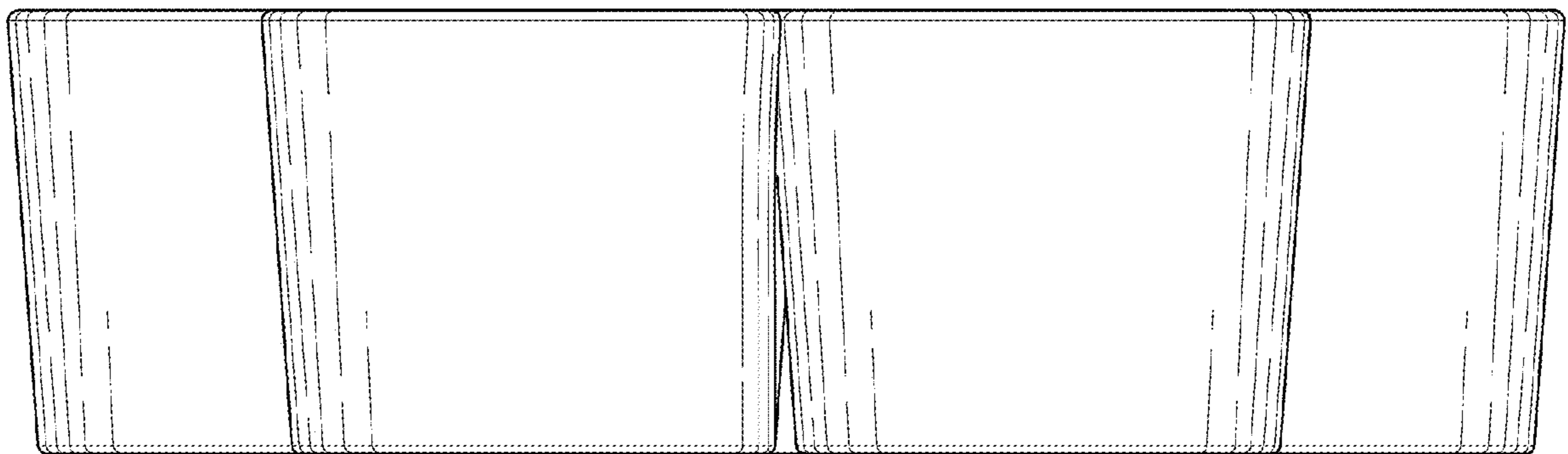


FIG. 5

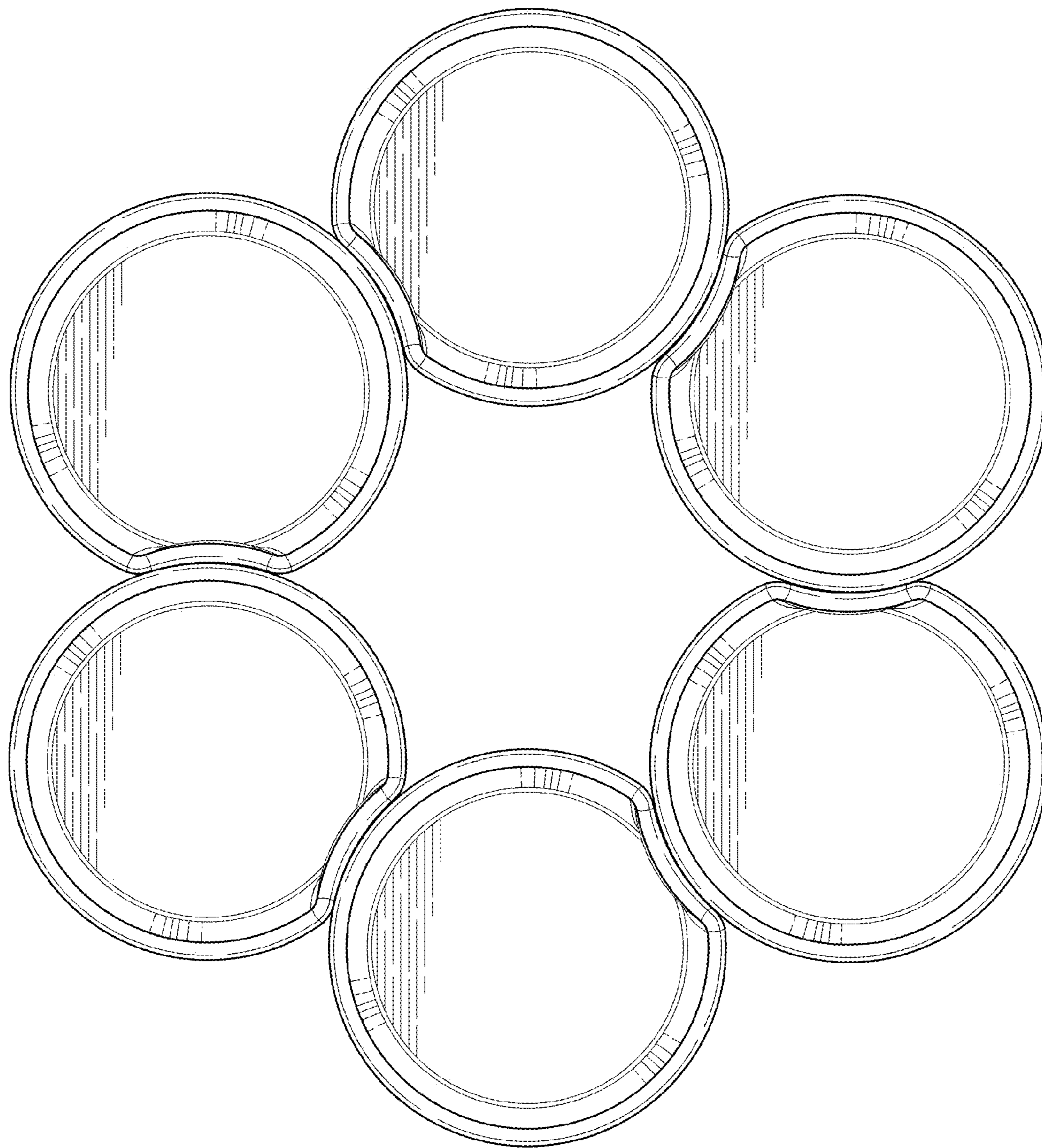


FIG. 6

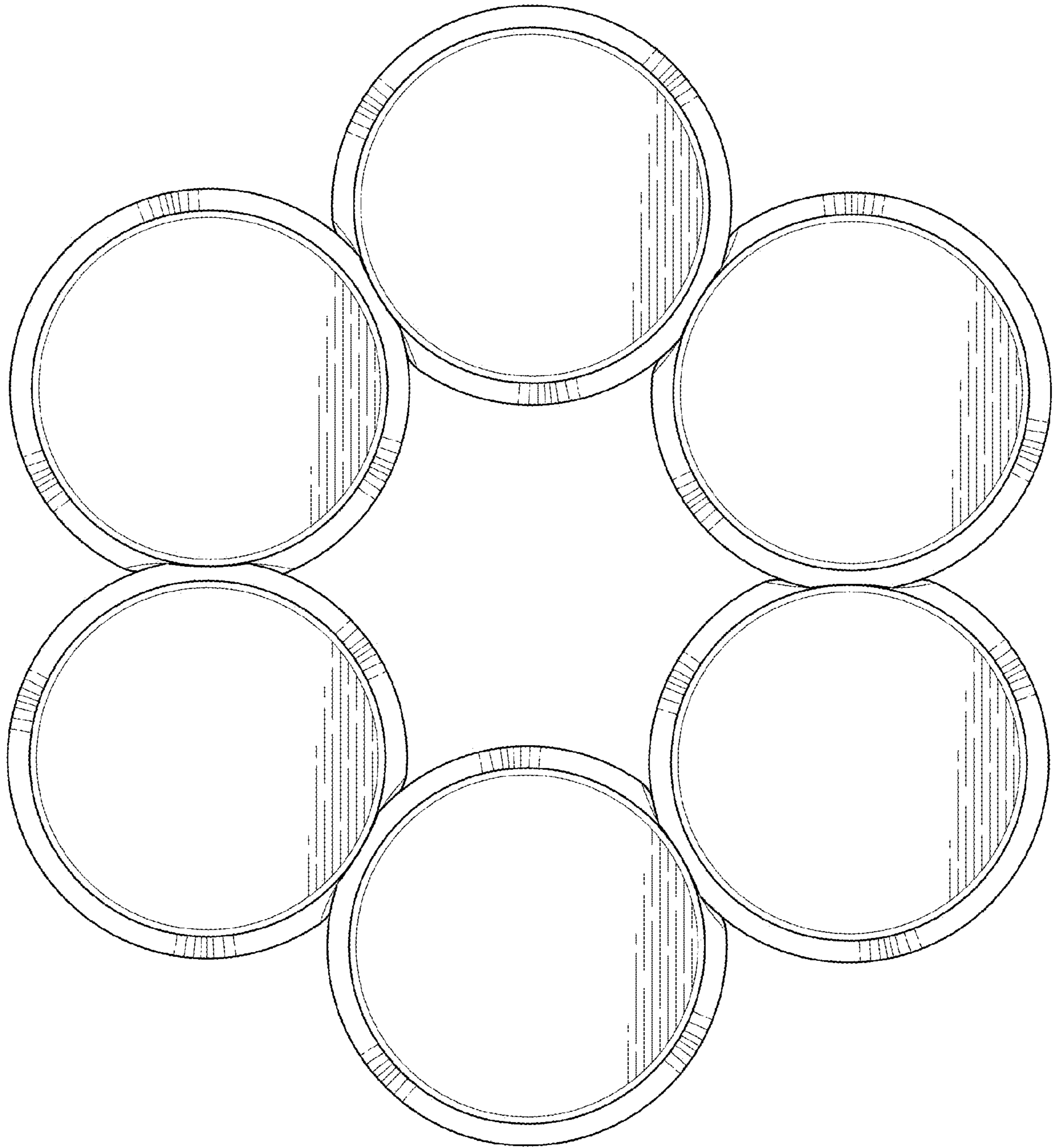


FIG. 7