



US00D871849S

(12) **United States Design Patent**
Ko et al.

(10) **Patent No.:** **US D871,849 S**

(45) **Date of Patent:** **** Jan. 7, 2020**

(54) **CUP**

(71) Applicant: **Huskee Tech Pty Ltd**, North Ryde (AU)

(72) Inventors: **Edward Ko**, Redfern (AU); **Andrew Simpson**, Redfern (AU)

(73) Assignee: **HUSKEE TECH PTY LTD**, North Ryde (AU)

(**) Term: **15 Years**

(21) Appl. No.: **29/617,810**

(22) Filed: **Sep. 15, 2017**

(30) **Foreign Application Priority Data**

Mar. 17, 2017 (AU) 201711573
 May 10, 2017 (CN) 2017 3 0168664

(51) **LOC (12) Cl.** **07-01**

(52) **U.S. Cl.**
 USPC **D7/531; D7/523; D7/530**

(58) **Field of Classification Search**
 USPC D7/507, 509, 510, 511, 523, 528, 529, D7/530, 531, 397, 622, 533, 536, 500, D7/608; D9/523, 552, 542, 569, 530, D9/531, 570, 453, 500, 452, 444, 439, D9/434, 435
 CPC A47G 19/22; A47G 19/2272; A47G 19/2205; B65D 1/265; B65D 47/066; B65D 85/804; B65D 41/04; A47J 43/27; A47J 41/02; A47J 41/0077; A47J 41/0088; A47J 41/028; A47J 31/407; A47J 31/40; A45F 3/16
 See application file for complete search history.

(56) **References Cited**

U.S. PATENT DOCUMENTS

3,558,001 A * 1/1971 Fritz B65D 1/44
 220/614
 D248,358 S * 7/1978 Thomas D7/531

5,071,060 A * 12/1991 DeFelice B65D 1/265
 220/675
 D338,302 S * 8/1993 Shafer D34/1
 D398,649 S * 9/1998 Ricci D19/77
 D454,304 S * 3/2002 Kim D9/429
 D573,390 S * 7/2008 Ablo D7/300
 D578,350 S * 10/2008 Eide D7/509
 D595,090 S * 6/2009 Benson D7/509
 D621,221 S * 8/2010 Henry D7/531
 D634,200 S * 3/2011 Taber D9/453
 D655,982 S * 3/2012 Liu D7/509
 D718,577 S * 12/2014 Gonzales D7/523
 D752,972 S * 4/2016 Goldstein D9/429
 D779,275 S * 2/2017 Crosby D7/523
 D782,150 S * 3/2017 Briganti D1/122
 D811,821 S * 3/2018 Arora D7/523
 D819,405 S * 6/2018 Li D7/531
 D836,442 S * 12/2018 Wood D9/453
 D838,171 S * 1/2019 Wood D9/453
 2001/0050287 A1 * 12/2001 Namba B65D 1/265
 220/592.17

(Continued)

Primary Examiner — Jae Liang

(74) Attorney, Agent, or Firm — Joseph G. Chu; JCIP

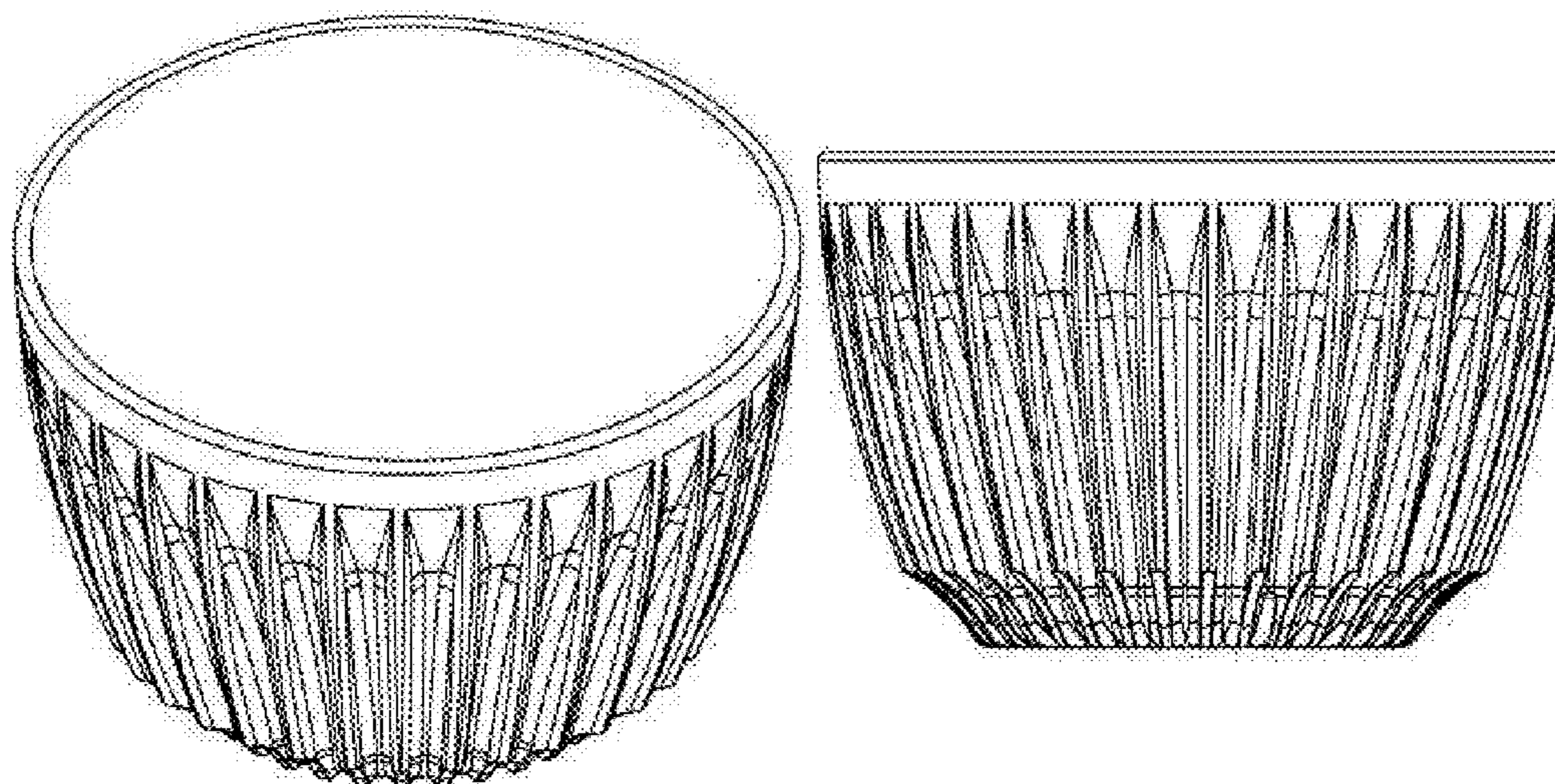
(57) **CLAIM**

The ornamental design for a cup, as shown and described.

DESCRIPTION

FIG. 1 is a top perspective view of a cup;
 FIG. 2 is a bottom perspective view of the cup;
 FIG. 3 is a cross-sectional view of the cup showing a section taken along line 3-3 of FIG. 6;
 FIG. 4 is a side view of the cup;
 FIG. 5 is an enlarged top view of the cup; and,
 FIG. 6 is a bottom view of the cup.

1 Claim, 6 Drawing Sheets



(56)

References Cited

U.S. PATENT DOCUMENTS

2016/0137332 A1* 5/2016 Crosby B65D 1/265
206/459.5

* cited by examiner

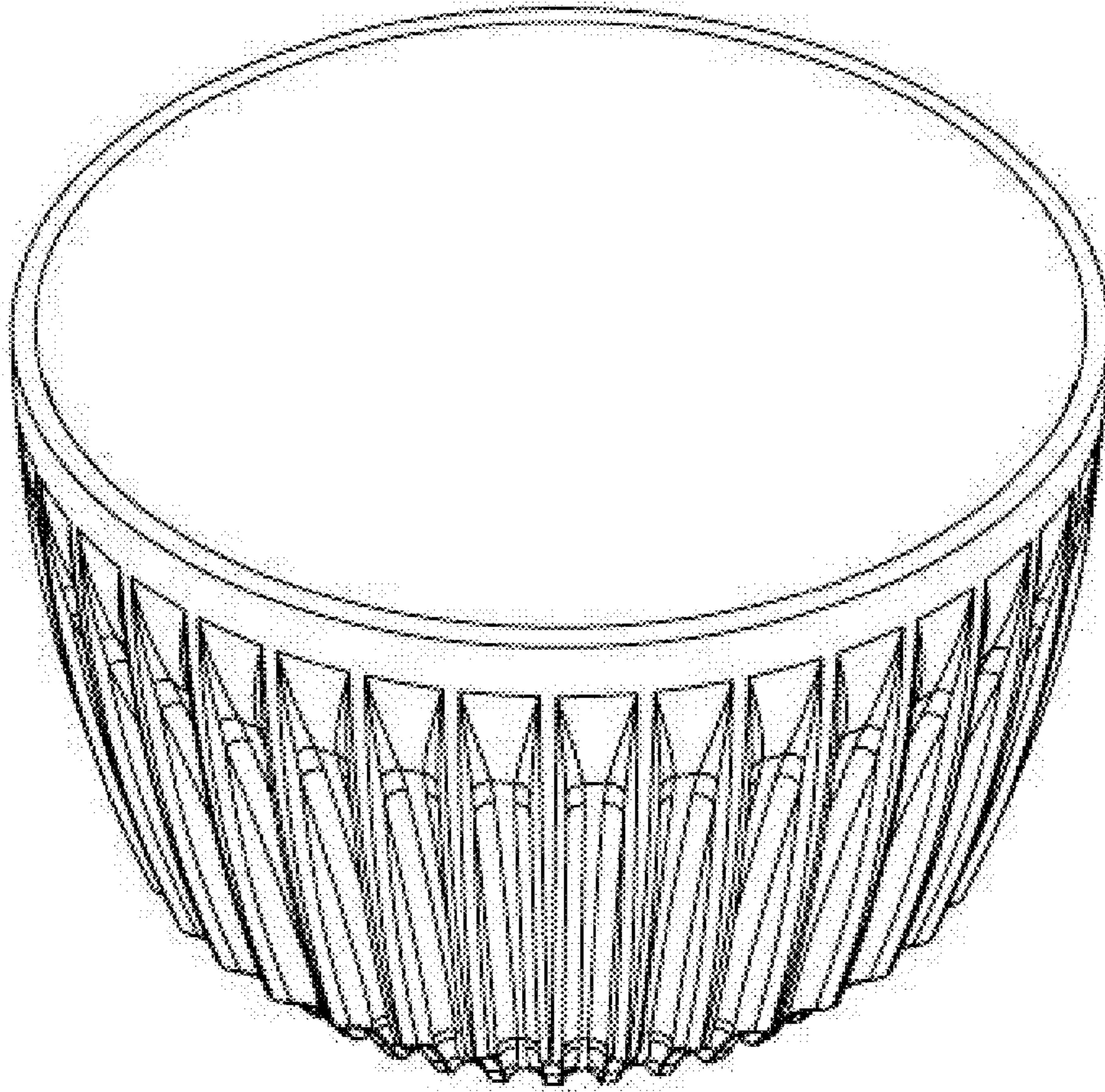


FIG. 1

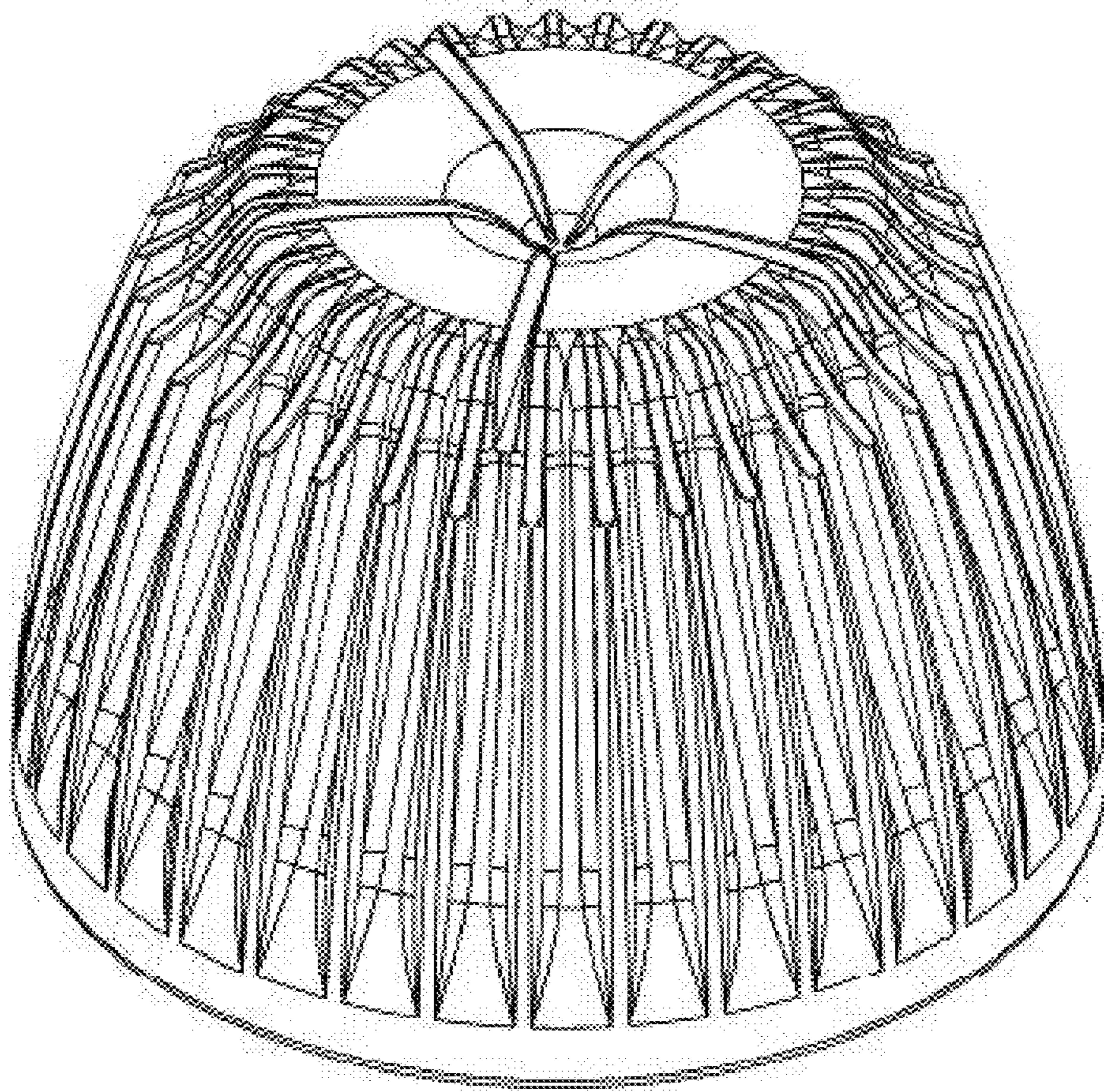


FIG. 2

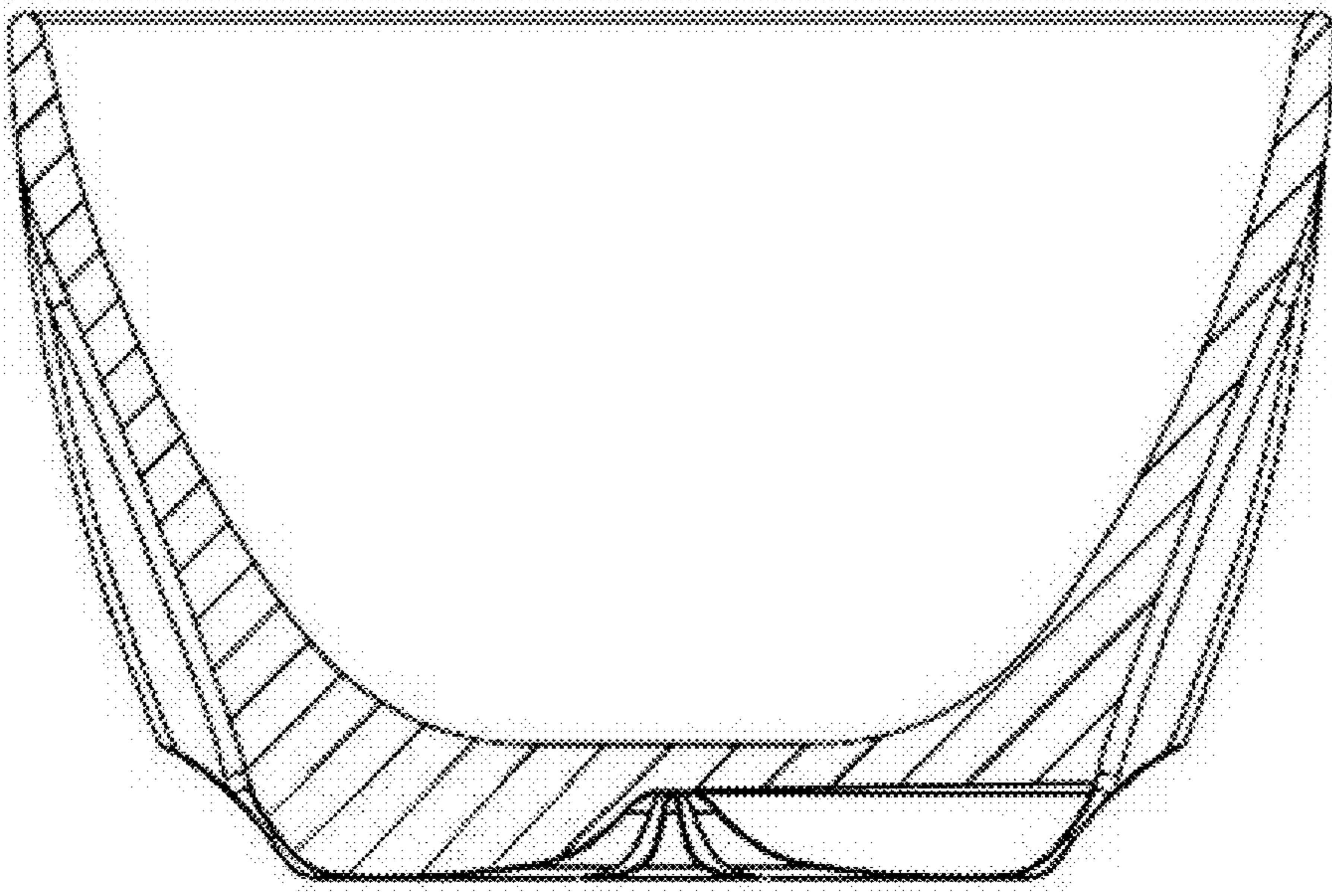


FIG. 3

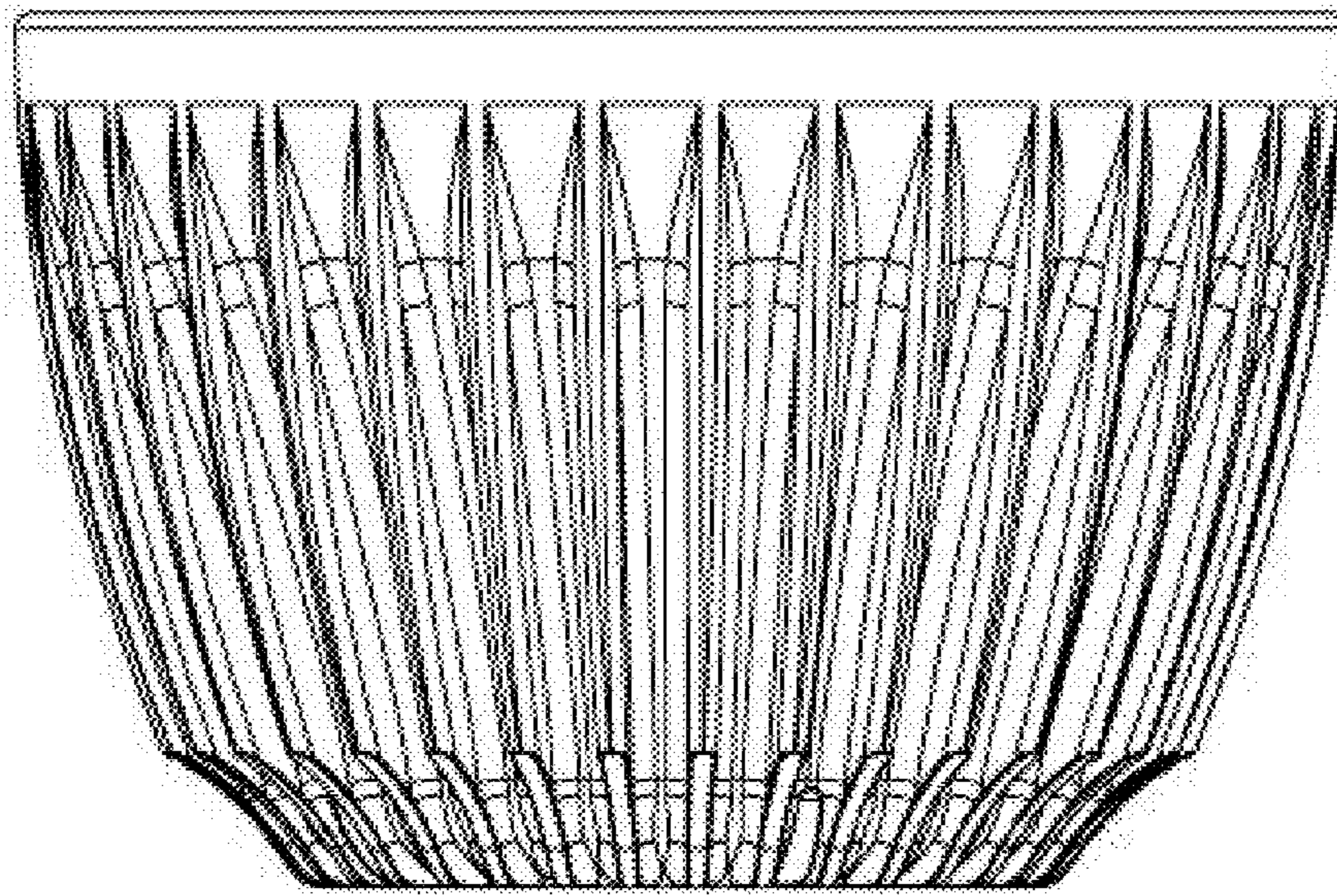


FIG. 4

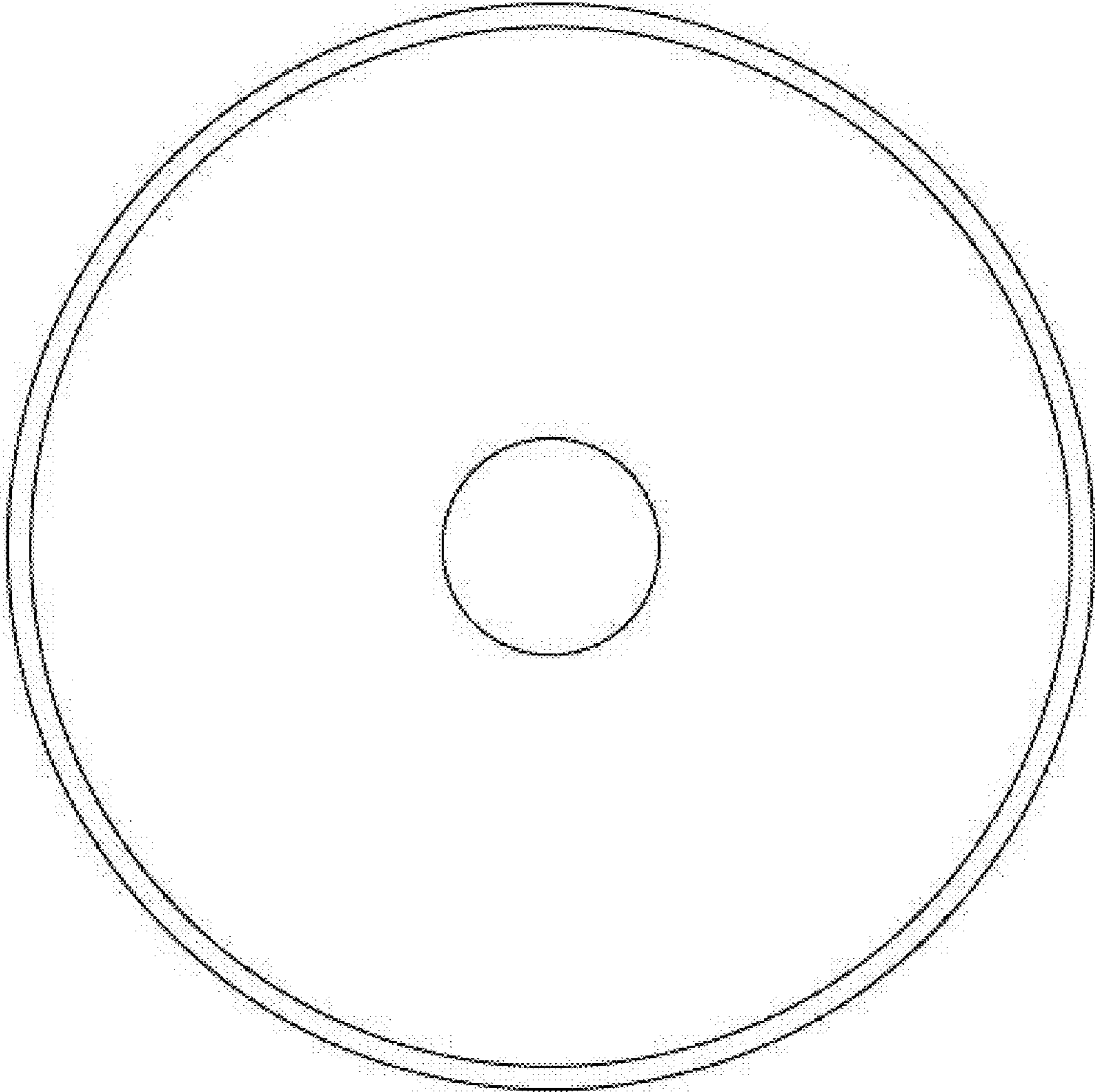


FIG. 5

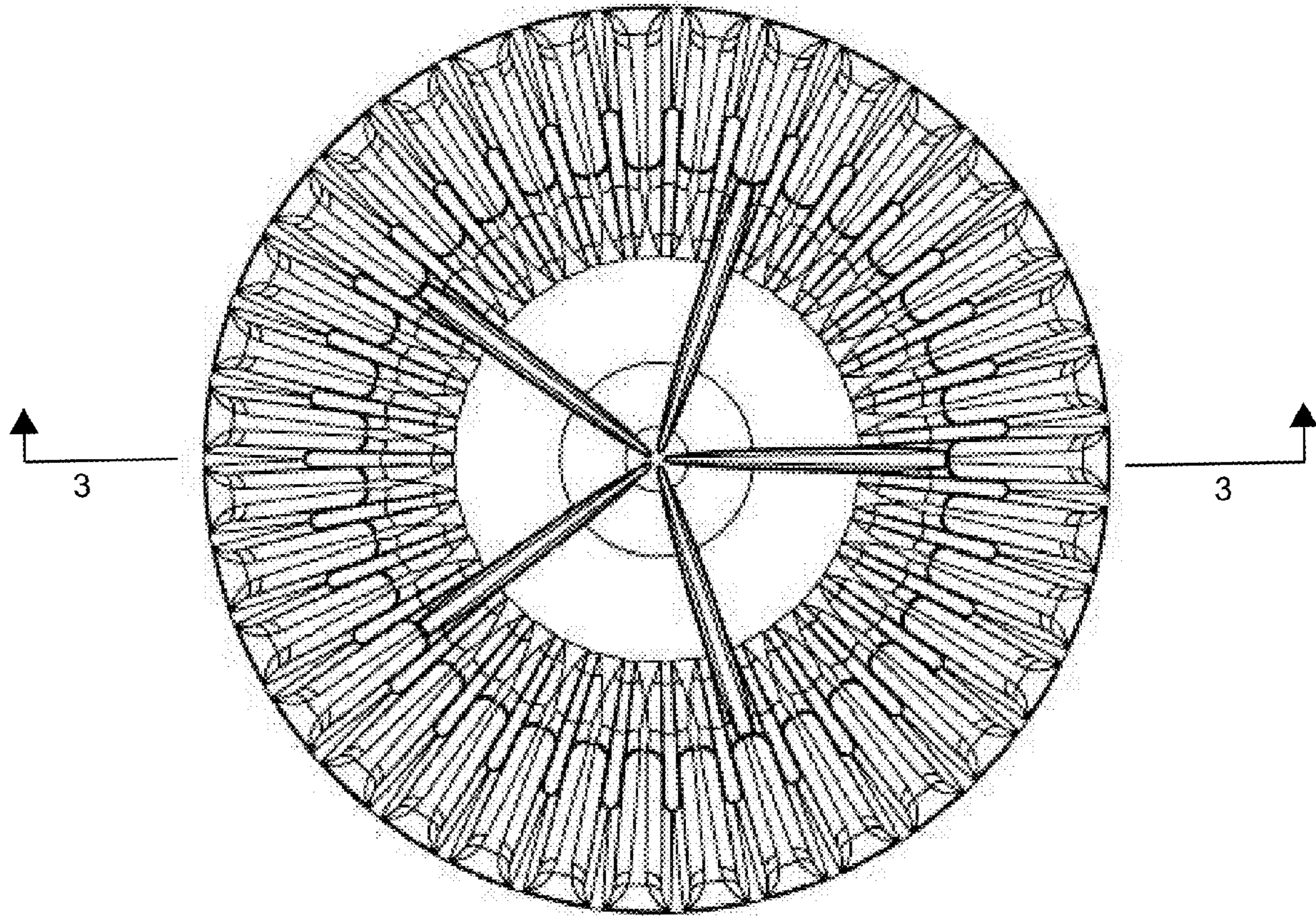


FIG. 6