



US00D871848S

(12) **United States Design Patent**
Flores

(10) **Patent No.:** **US D871,848 S**
(45) **Date of Patent:** **** Jan. 7, 2020**

- (54) **MARTINI GLASS**
- (71) Applicant: **Rich Flores**, Laguna Beach, CA (US)
- (72) Inventor: **Rich Flores**, Laguna Beach, CA (US)
- (**) Term: **15 Years**
- (21) Appl. No.: **29/646,546**
- (22) Filed: **May 4, 2018**
- (51) **LOC (12) Cl.** **07-01**
- (52) **U.S. Cl.**
USPC **D7/524; D7/528**
- (58) **Field of Classification Search**
USPC D7/507, 509, 510, 511, 523, 570, 529,
D7/524, 537, 526, 528, 532, 393, 213,
D7/514, 515, 513, 530, 396.6, 387, 396.2,
D7/397, 398; 220/592.16, 592.17;
D10/118; D9/500, 501, 503, 516, 517,
D9/518, 548, 549, 558, 715, 716, 719
CPC A47G 19/2205; A47G 19/2227; A47G
19/22; A45F 3/20; A47J 41/02; A47J
41/0077; A47J 43/27
See application file for complete search history.

- D717,603 S * 11/2014 Federighi D7/509
- D740,062 S * 10/2015 Burroughs D7/300
- 9,204,744 B2 * 12/2015 Vacanti A47G 19/2205
- D756,708 S * 5/2016 Paustian D7/524
- D781,655 S * 3/2017 Koch D7/509
- 2012/0152263 A1 * 6/2012 Schoenfeld A24F 3/00
131/186
- 2014/0097105 A1 * 4/2014 Mansoorian A47G 19/2205
206/217

OTHER PUBLICATIONS

<https://www.amazon.com/ORCA-Chasertini-Martini-Cup-8-oz/dp/B019NMTVH8> (Year: 2017).*

https://www.amazon.com/Oggi-8-Ounce-Stainless-Martini-Goblets/dp/B00032HGBG/ref=pd_rhf_dp_p_img_1?encoding=UTF8&psc=1&refRID=AQQXD0GH7ANTHCS73G45 (Year: 2004).*

* cited by examiner

Primary Examiner — Jae Liang
(74) *Attorney, Agent, or Firm* — Dunlap Bennett & Ludwig PLLC; Brendan E. Squire

(57) **CLAIM**

The ornamental design for a martini glass, as shown and described.

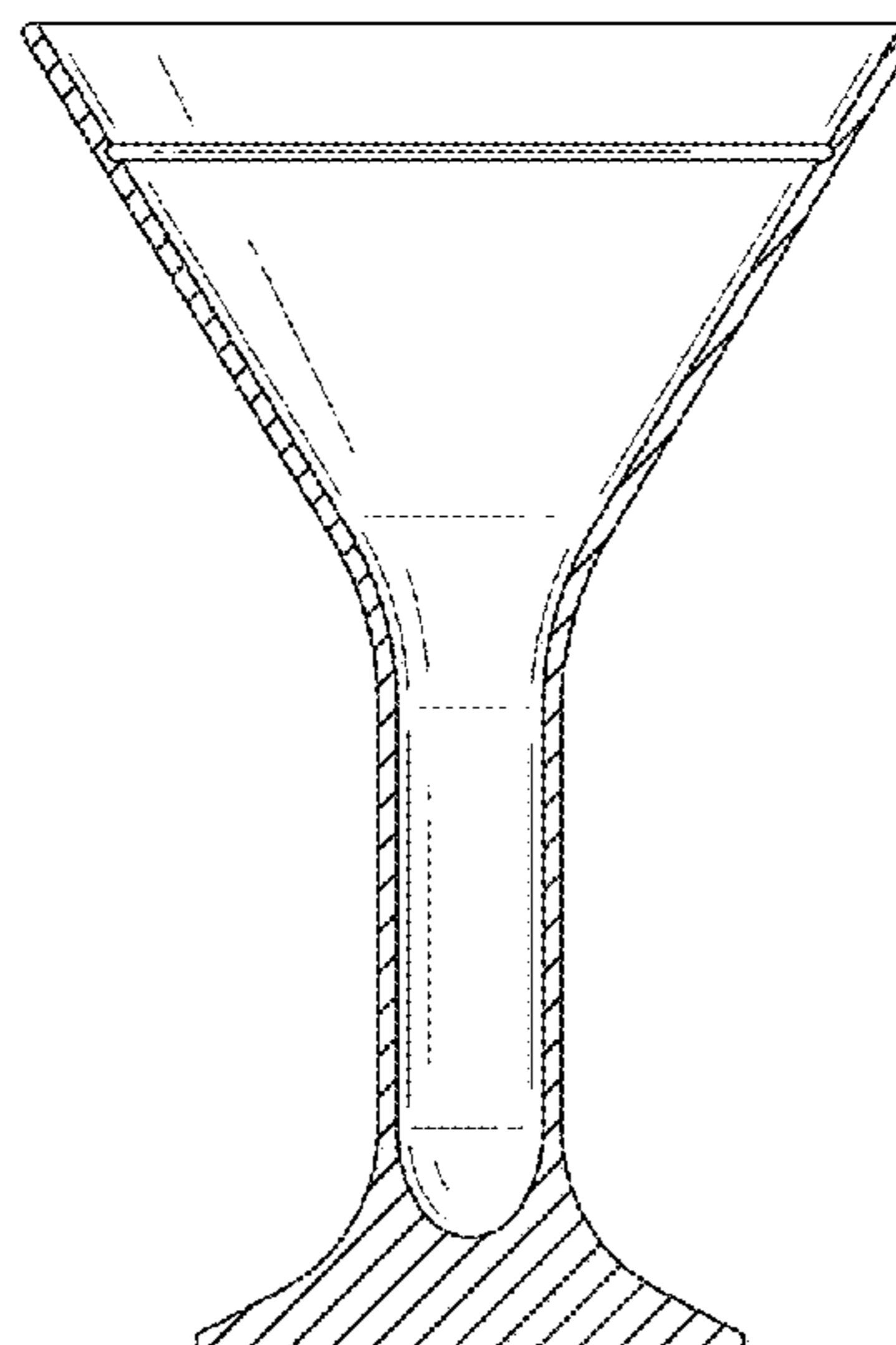
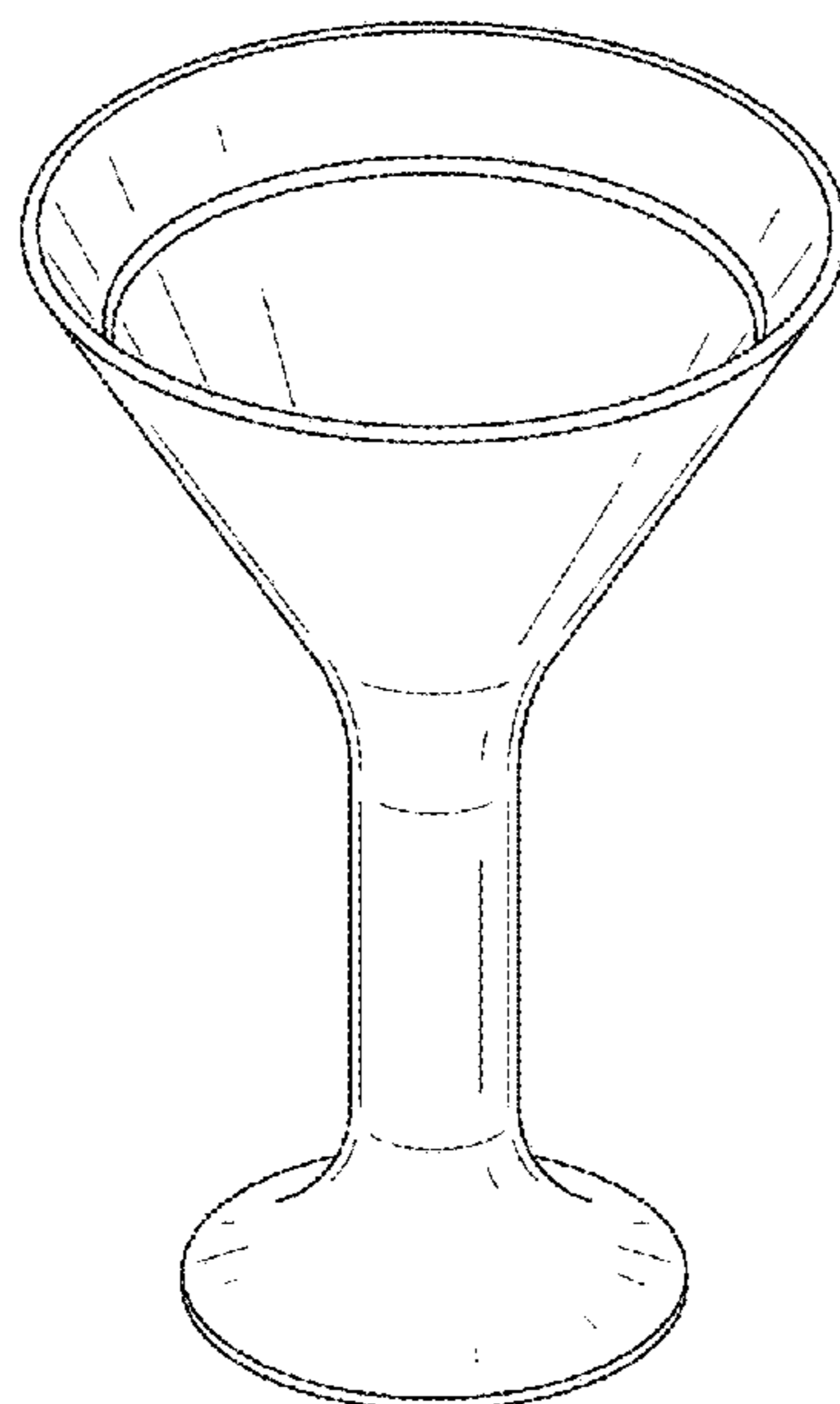
DESCRIPTION

FIG. 1 is a front perspective view of a martini glass showing my new design;
FIG. 2 is a front elevation view thereof, the left side elevation view, the right side elevation view, and the rear elevation view being identical images thereof;
FIG. 3 is a top plan view thereof;
FIG. 4 is a bottom plan view thereof; and,
FIG. 5 is a cross-sectional view taken on line 5-5 of FIG. 2.

1 Claim, 3 Drawing Sheets

(56) **References Cited**
U.S. PATENT DOCUMENTS

- 3,008,678 A * 11/1961 Roumeliotis A47G 19/03
220/495.03
- D429,603 S * 8/2000 Lipson D7/300.2
- D454,757 S * 3/2002 Lack D7/509
- D515,359 S * 2/2006 Andrews D7/523
- D527,223 S * 8/2006 Thun D7/523
- D543,783 S * 6/2007 Goldberg D7/511
- D563,724 S * 3/2008 Bodum D7/509
- D602,309 S * 10/2009 Pourounidis D7/524
- D679,945 S * 4/2013 Romley D7/524
- D698,200 S * 1/2014 Lauwagie D7/509



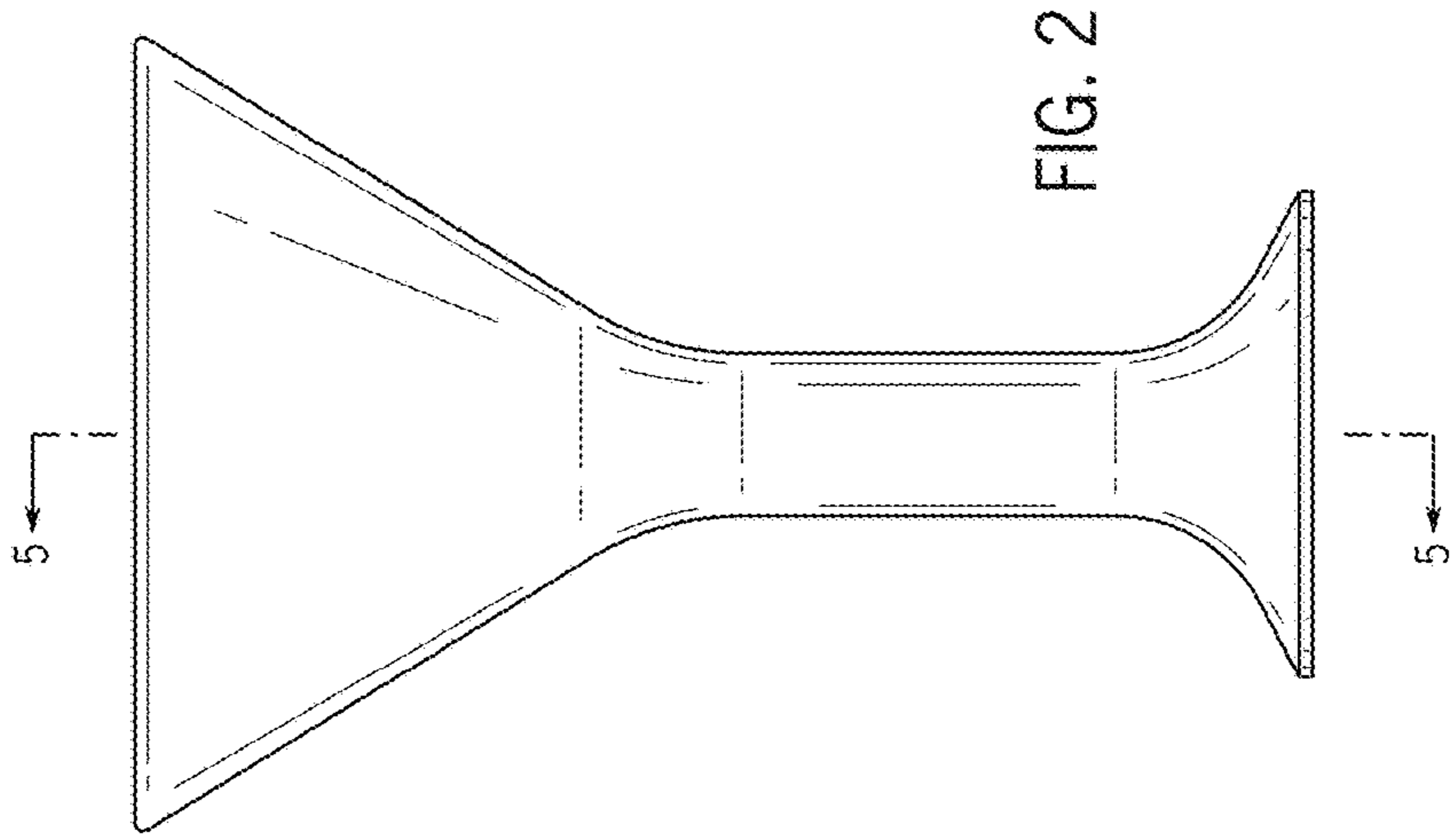


FIG. 2

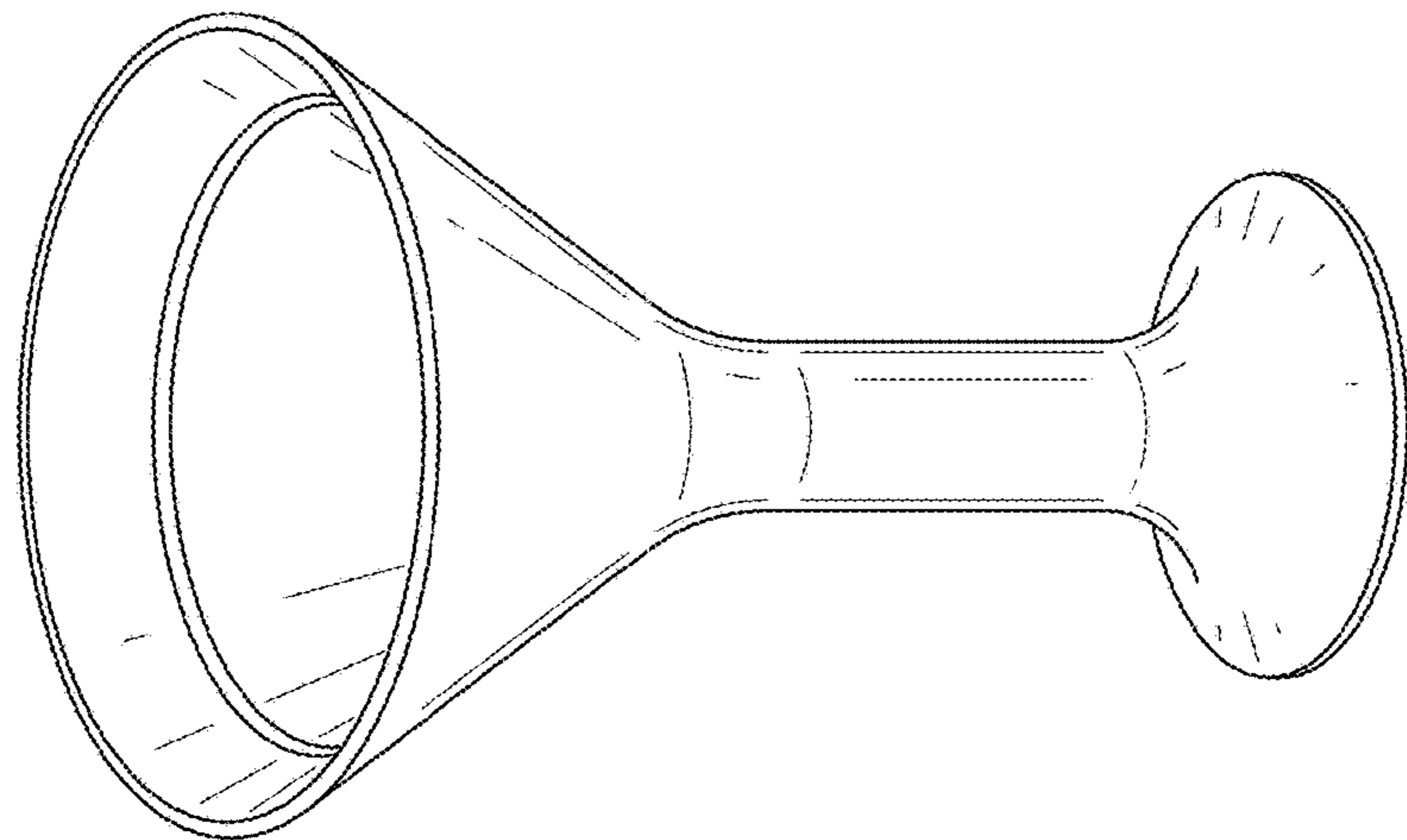


FIG. 1

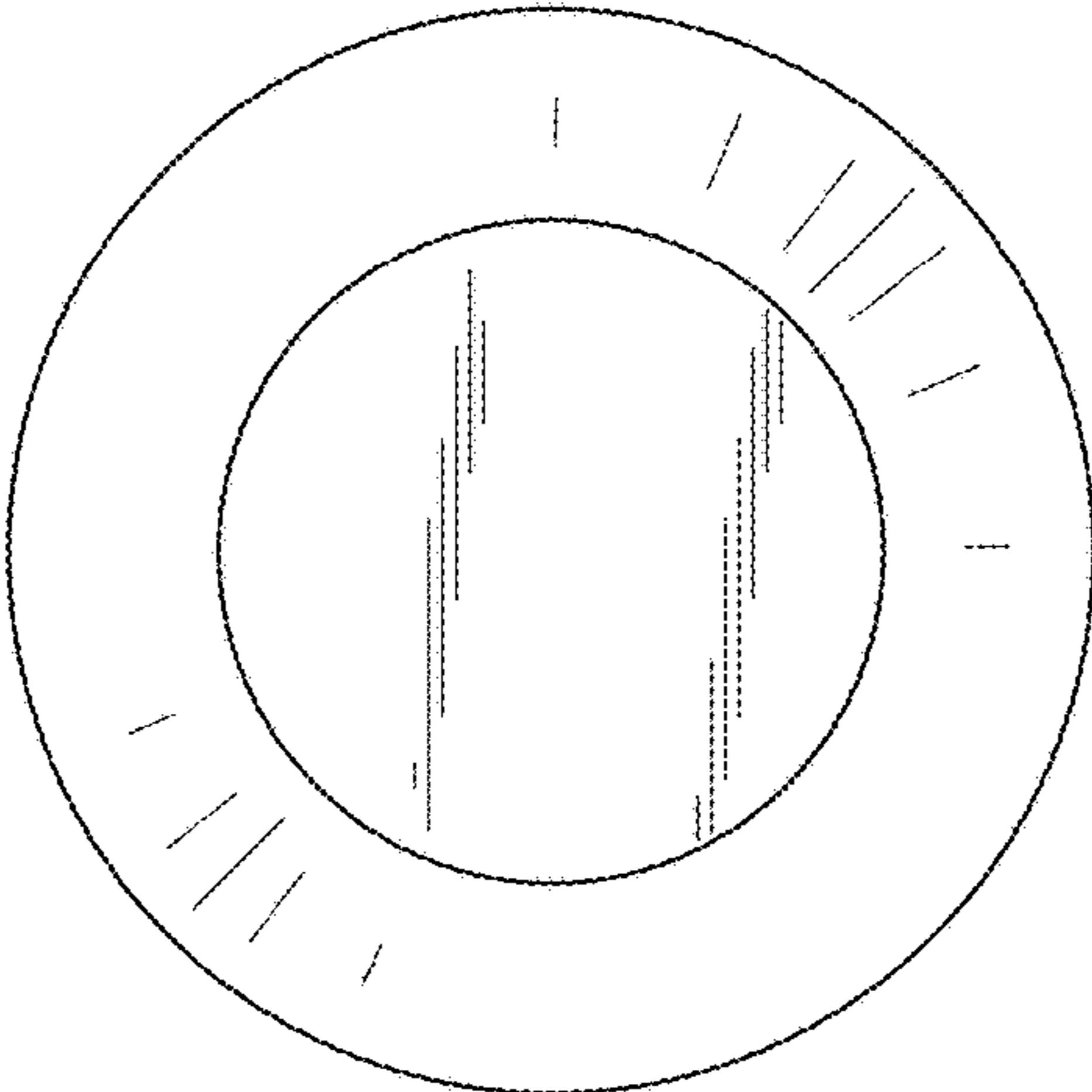


FIG. 4

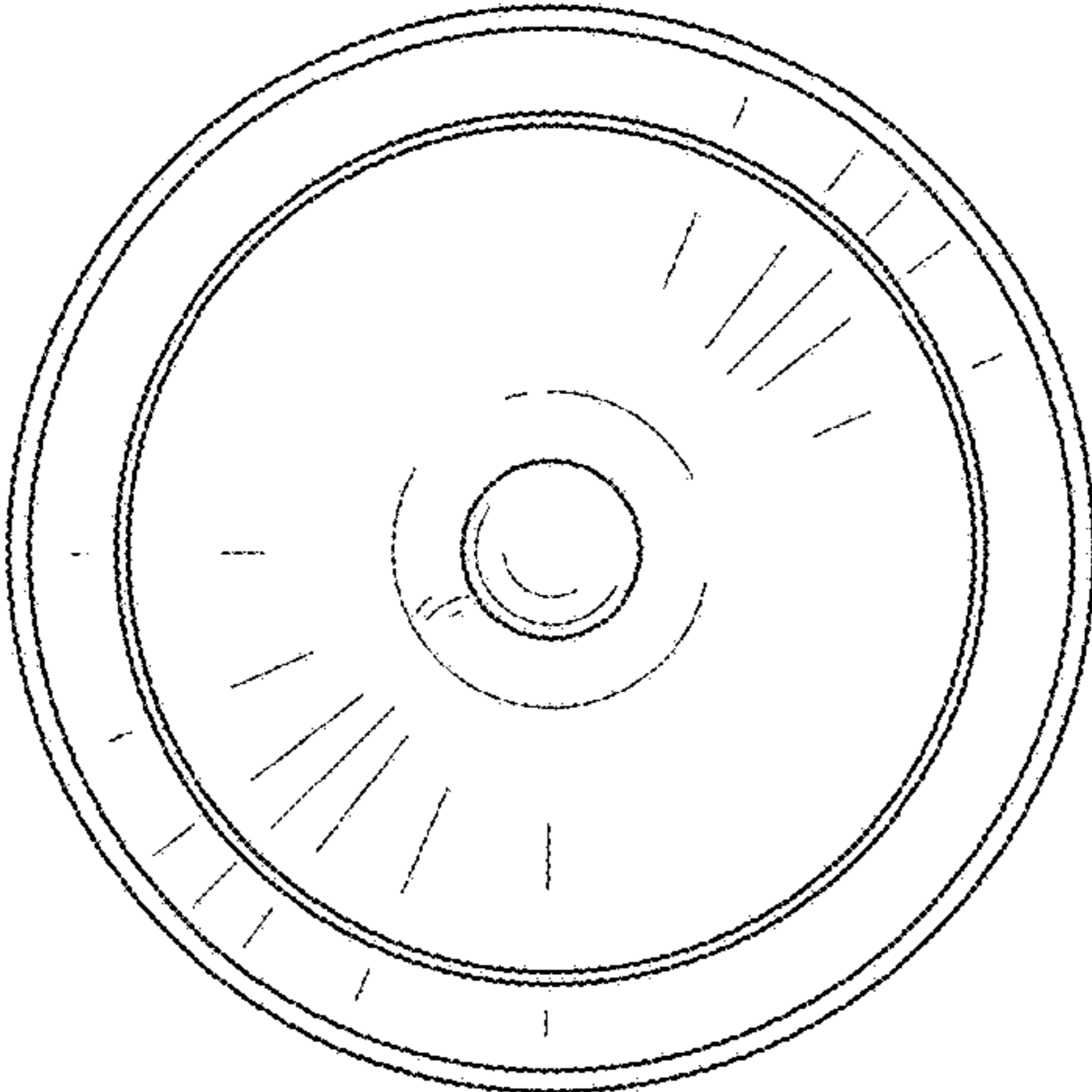


FIG. 3

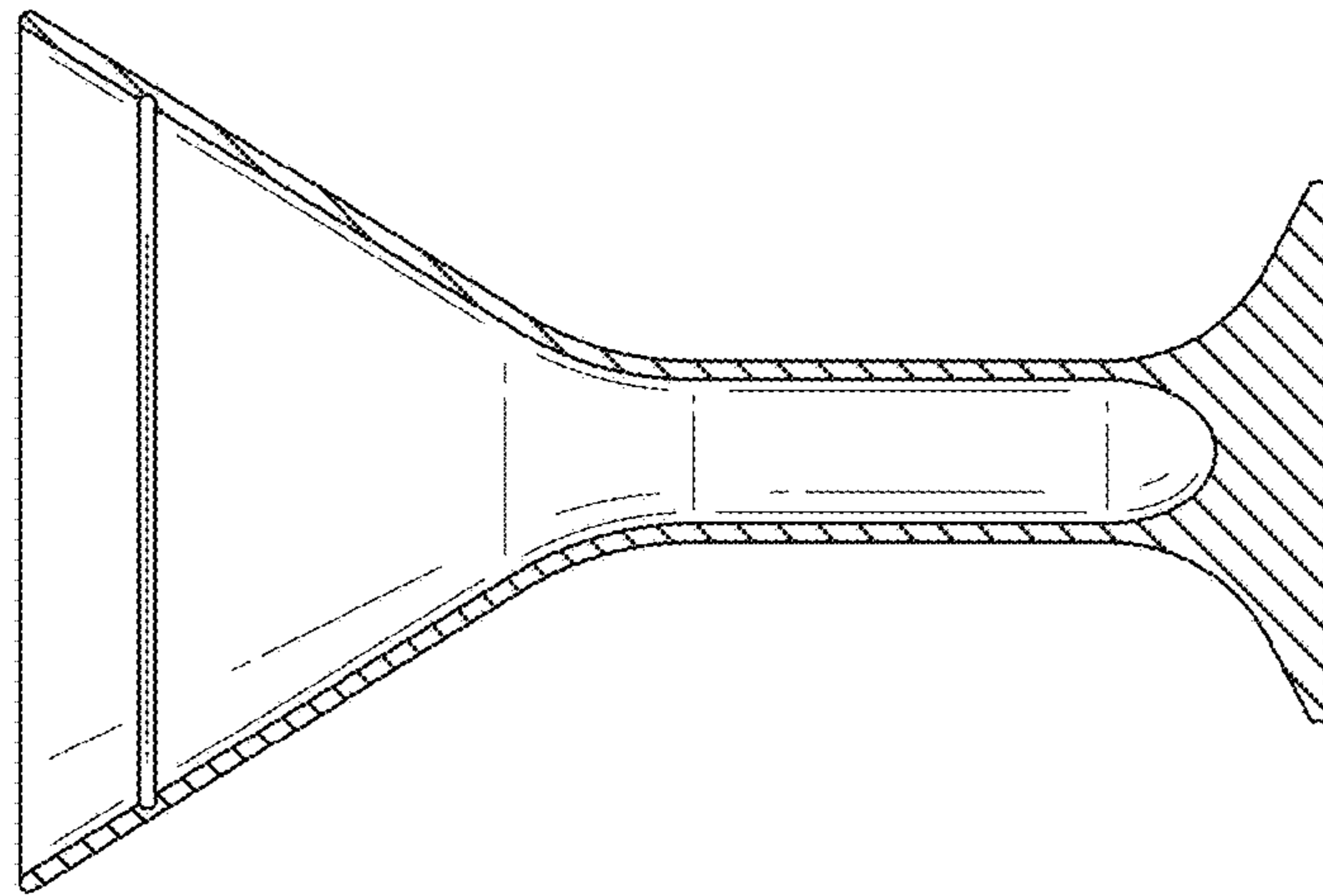


FIG. 5