



US00D871847S

(12) **United States Design Patent** (10) **Patent No.:** **US D871,847 S**
Delgado Carmona (45) **Date of Patent:** **** Jan. 7, 2020**

(54) **COMMUTER MUG**

(71) Applicant: **Dart Industries Inc.**, Orlando, FL (US)

(72) Inventor: **Sara L. Delgado Carmona**, Orlando, FL (US)

(73) Assignee: **Dart Industries Inc.**, Orlando, FL (US)

(**) Term: **15 Years**

(21) Appl. No.: **29/673,240**

(22) Filed: **Dec. 13, 2018**

(51) **LOC (12) Cl.** **07-01**

(52) **U.S. Cl.**
 USPC **D7/523; D7/510; D7/532**

(58) **Field of Classification Search**
 USPC D7/507, 509, 510, 511, 529, 531, 532,
 D7/523, 533, 534, 535, 536, 392.1, 296.1,
 D7/396.2, 387, 300.1, 591, 688, 665;
 D9/500, 50, 502, 503, 504, 516, 556, 569,
 D9/542, 530, 531; D3/202
 CPC A47G 19/22; A47G 19/2288; A47G
 19/2205; A47G 19/2227; B65D 1/265;
 A47J 43/27; A45F 3/16
 See application file for complete search history.

(56) **References Cited**

U.S. PATENT DOCUMENTS

D254,241 S *	2/1980	Morin	D7/612
D265,628 S *	8/1982	Redaelli	D9/418
D290,323 S *	6/1987	Weernink	D7/511
D298,902 S *	12/1988	Pomroy	D1/116
D310,781 S *	9/1990	Scott, III	D9/504
D375,870 S *	11/1996	Stonehouse	D7/509

D540,124 S *	4/2007	Ross	D7/509
D572,082 S	7/2008	Kortleven	
D583,627 S	12/2008	Kortleven	
D623,475 S *	9/2010	Aarnoudse	D7/510
D703,008 S *	4/2014	Wampold	D7/606
D754,999 S *	5/2016	Gamelli	D7/300.1
D767,333 S *	9/2016	Picozza	D7/376
D767,938 S *	10/2016	Picozza	D7/376
D774,827 S *	12/2016	Miller	D7/507
D778,095 S *	2/2017	Gamelli	D7/300.1
D780,526 S *	3/2017	Liljedahl	D7/608
D795,643 S *	8/2017	Barlow	D7/510
D809,922 S *	2/2018	Blagojevic	D9/503
D815,906 S *	4/2018	Yee	D7/511
D837,595 S *	1/2019	Ward	D7/507
D848,208 S *	5/2019	Medford	D7/396.2
2006/0102584 A1 *	5/2006	Wellman	B65D 41/3495 215/228
2013/0126369 A1 *	5/2013	Gamelli	B65D 47/122 206/217

* cited by examiner

Primary Examiner — Jae Liang
 (74) *Attorney, Agent, or Firm* — Taylor J. Ross

(57) **CLAIM**

The ornamental design for a commuter mug, as shown and described.

DESCRIPTION

FIG. 1 is a top, front and right side isometric view of a commuter mug showing my new design;
 FIG. 2 is a bottom, rear and left side isometric view thereof;
 FIG. 3 is a top plan view thereof;
 FIG. 4 is a bottom plan view thereof; and,
 FIG. 5 is a right side elevation view thereof; the left side, front and rear elevation views being identical thereto.

1 Claim, 4 Drawing Sheets

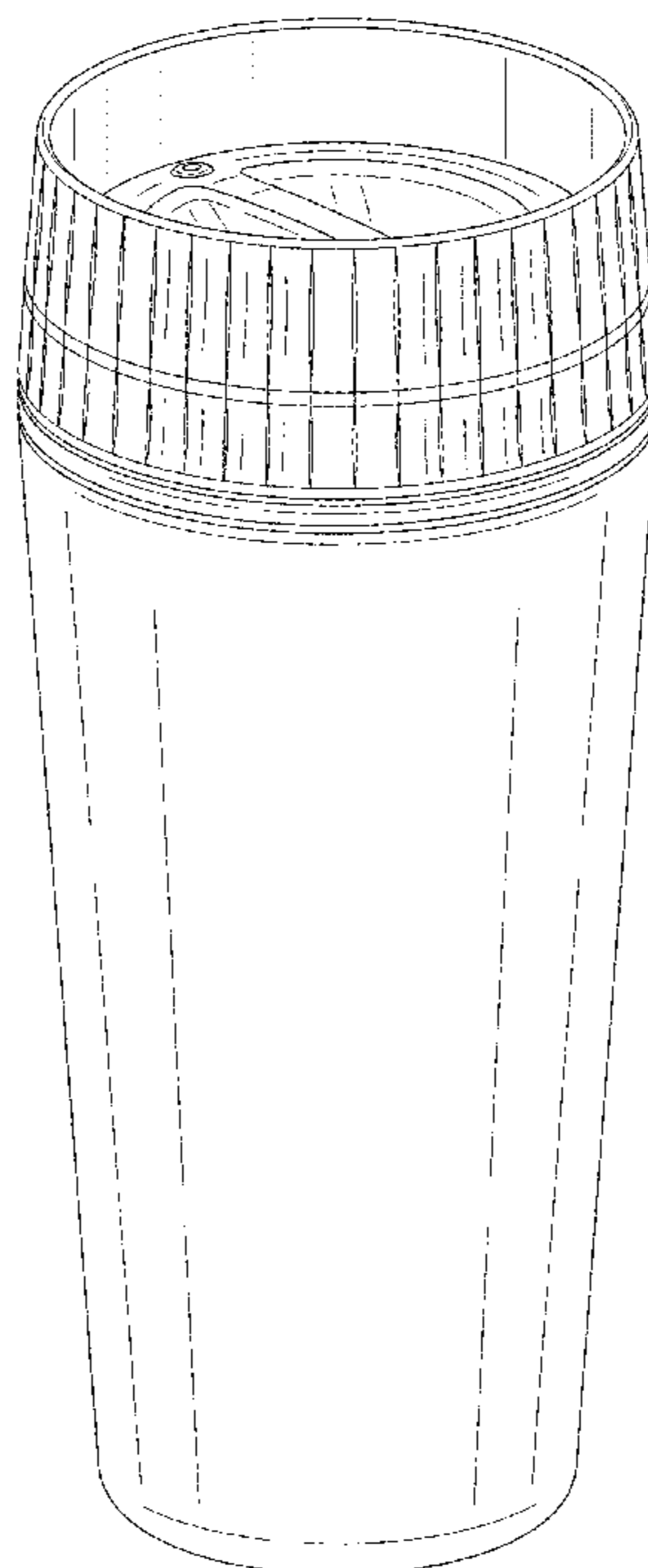


FIG. 1

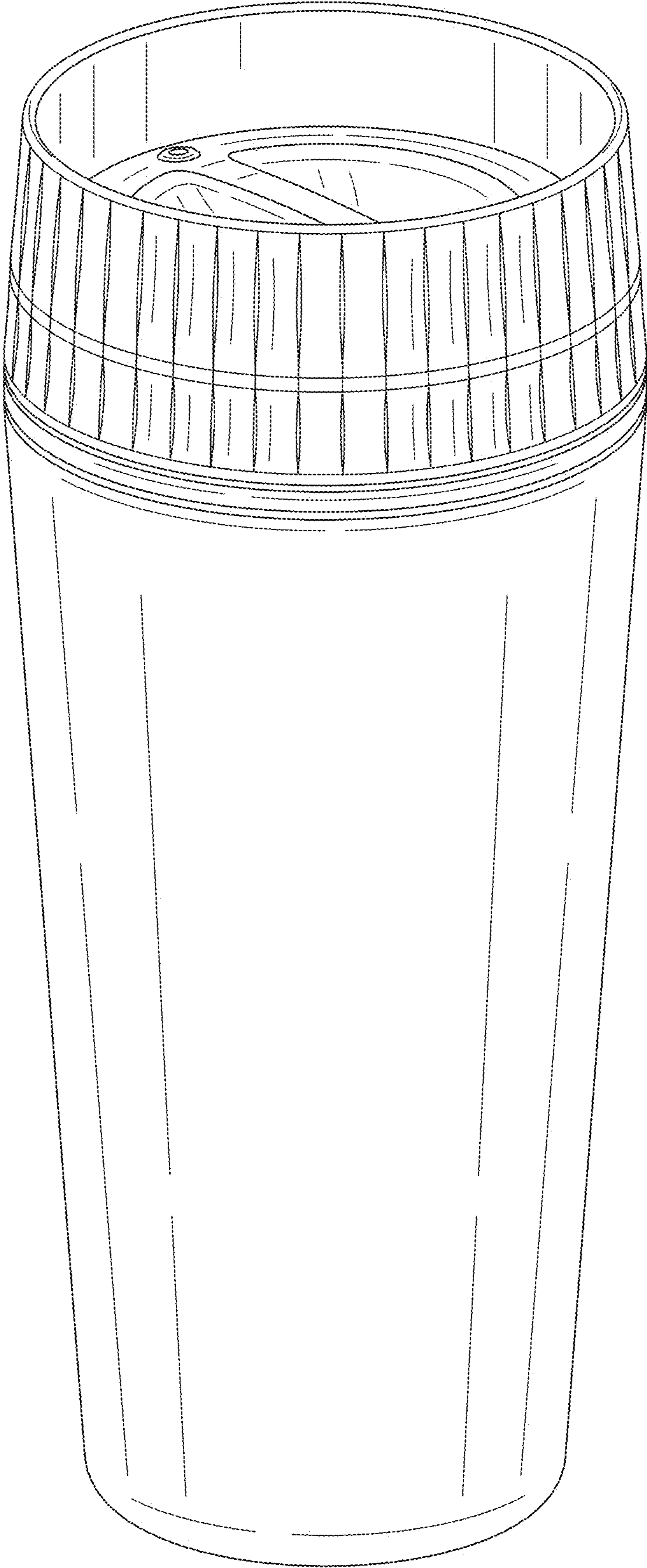


FIG. 2

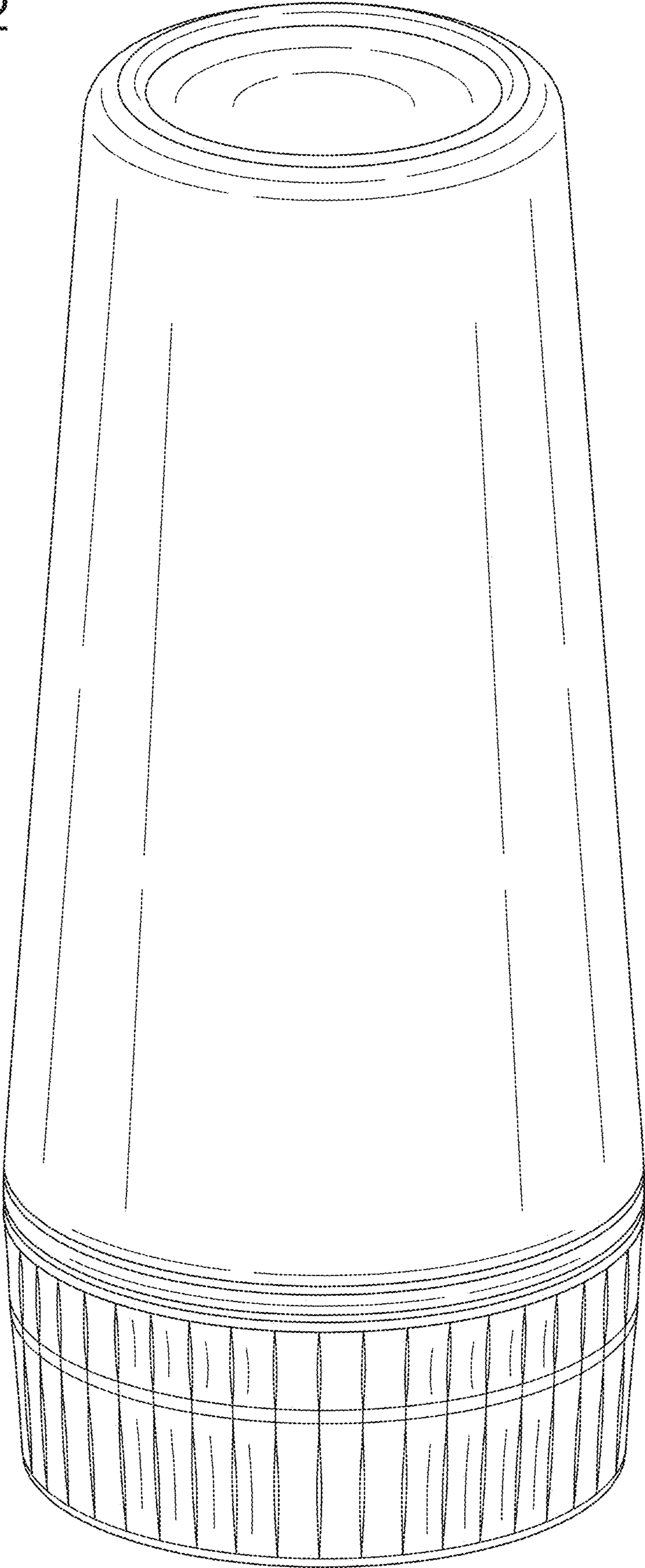


FIG. 3

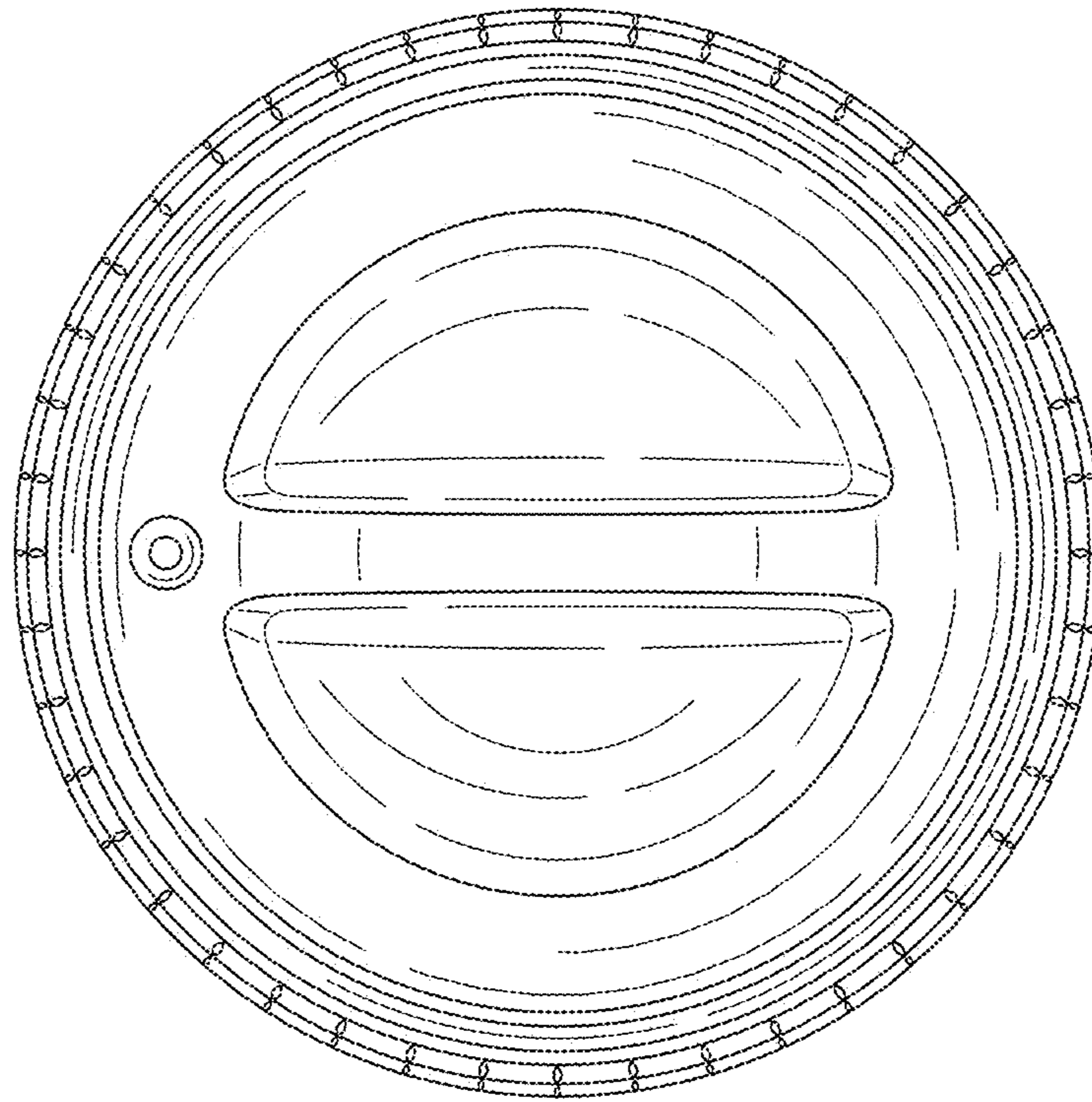


FIG. 4

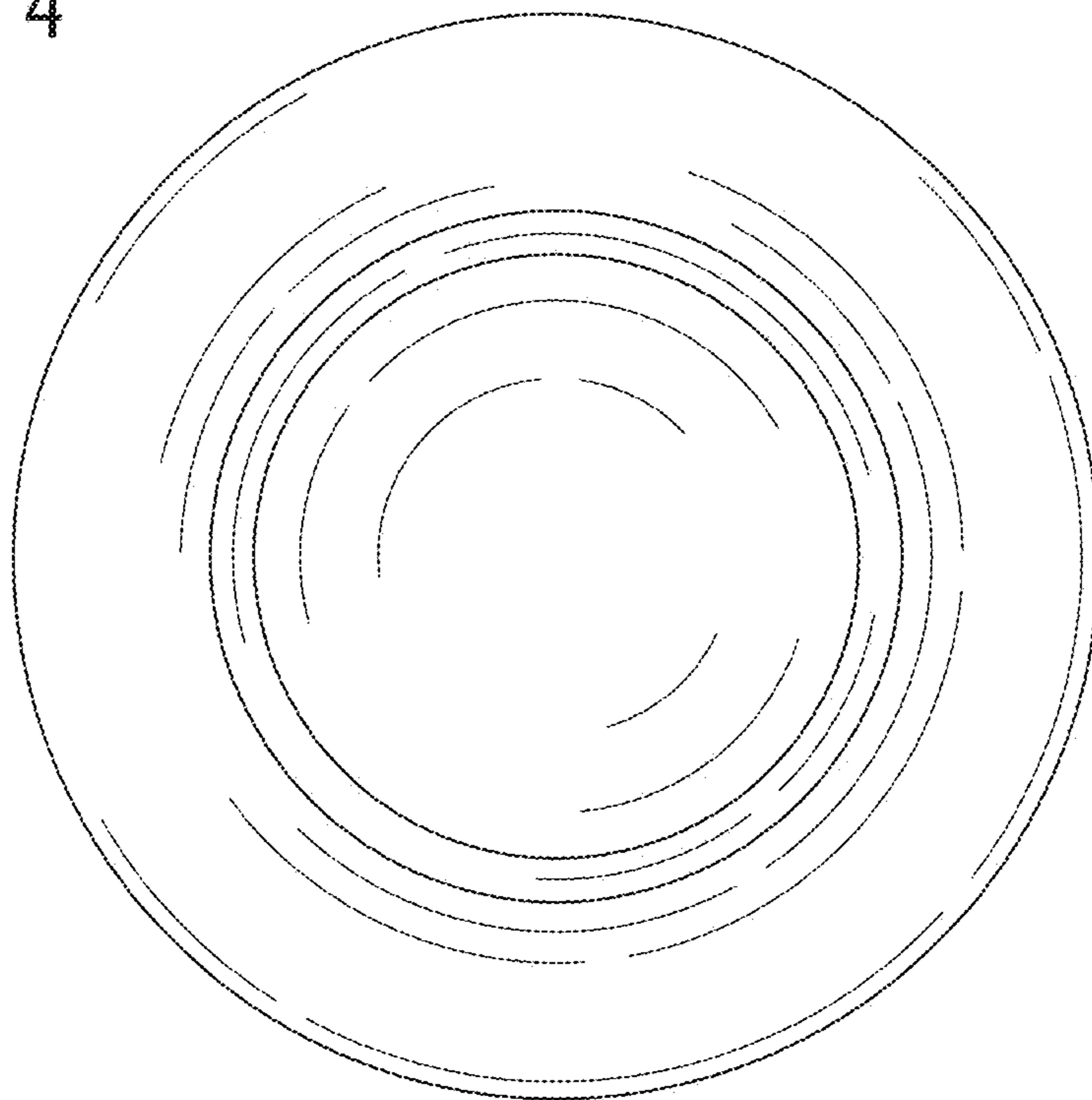


FIG. 5

