



US00D871844S

(12) **United States Design Patent** (10) **Patent No.:** **US D871,844 S**
Adams, Jr. et al. (45) **Date of Patent:** **** Jan. 7, 2020**

(54) **FLUID CONTAINER WITH CAP AND CUP**
(71) Applicant: **Klean Kanteen, Inc.**, Chico, CA (US)
(72) Inventors: **Richard John Adams, Jr.**, Bozeman, MT (US); **Joshua James Birkle**, Chico, CA (US)
(73) Assignee: **KLEAN KANTEEN, INC.**, Chico, CA (US)
(**) Term: **15 Years**
(21) Appl. No.: **29/628,376**
(22) Filed: **Dec. 4, 2017**
(51) **LOC (12) Cl.** **07-01**
(52) **U.S. Cl.**
USPC **D7/510; D7/511; D7/523; D7/532; D9/504**
(58) **Field of Classification Search**
USPC D7/507, 509, 510, 511, 514, 515, 516, D7/519, 523, 533, 534, 535, 536, 608, D7/300.1, 300.2, 629, 300, 401.1, 392.1, D7/396.2; D9/500, 501, 502, 503, 504, D9/435, 436; D24/197
CPC A47G 19/22; A47G 19/2288; A47G 19/2205; A47G 19/2211; A47G 19/2266; A47G 19/2272; B65D 47/066; A45F 3/16; A47J 41/02; A47J 41/0088
See application file for complete search history.

(56) **References Cited**
U.S. PATENT DOCUMENTS
3,110,408 A * 11/1963 Bramming A47J 41/02 215/12.1
3,465,905 A * 9/1969 Schottanes A47J 41/02 215/6
D222,800 S * 1/1972 Donoghue D9/688
(Continued)

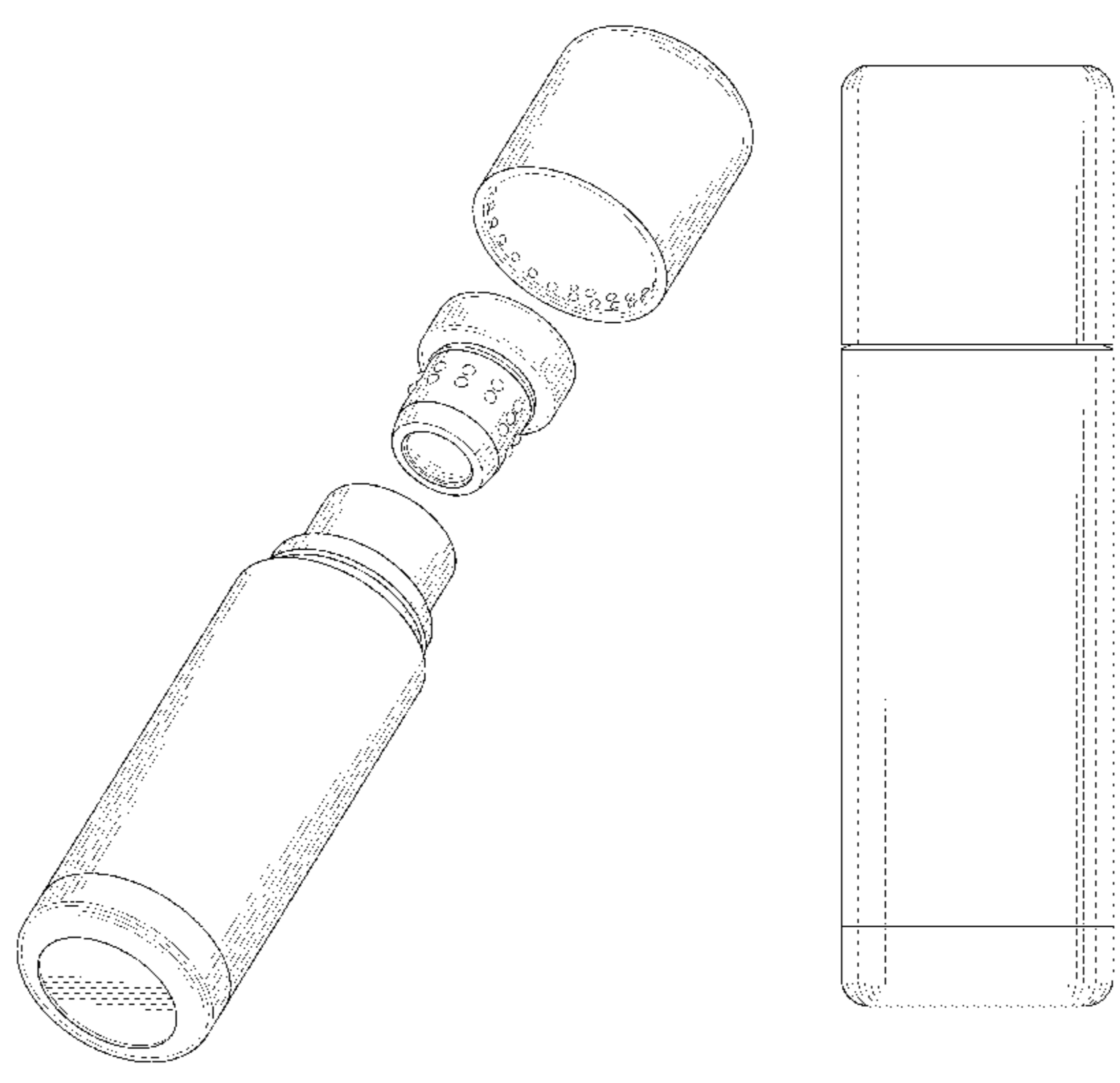
Primary Examiner — Jae Liang

(74) *Attorney, Agent, or Firm* — Alleman Hall Creasman & Tuttle LLP

(57) **CLAIM**
The ornamental design for a fluid container with cap and cup, as shown and described.

DESCRIPTION
FIG. 1 is a front isometric view of an ornamental design for a fluid container with cap and cup showing the new design. FIG. 2 is an exploded view thereof, showing the fluid container with an included cap member and an included cup member, with the cap member and the cup member exploded away. FIG. 3 is a front elevational view of the fluid container with cap and cup of FIG. 1; the rear elevational view being a mirror image thereof; FIG. 4 is a top plan view thereof. FIG. 5 is a bottom plan view thereof. FIG. 6 is a front isometric view of the fluid container, omitting the cap member and the cup member. FIG. 7 is a top plan view thereof. FIG. 8 is a front elevational view thereof. FIG. 9 is a back elevational view thereof. FIG. 10 is a front isometric view of the cap member, omitting the fluid container and the cup member. FIG. 11 is a top plan view thereof. FIG. 12 is a front elevational view thereof. FIG. 13 is a bottom plan view thereof. FIG. 14 is a back elevational view thereof, with the cap member depicted upside down. FIG. 15 is a front isometric view of the cup member, omitting the fluid container and the cap member. FIG. 16 is a cross section view of the cup member of FIG. 15 taken along line 16-16 of FIG. 17. FIG. 17 is a bottom plan view of the cup member of FIG. 15; and, FIG. 18 is a cross section view of the cup member of FIG. 15 taken along line 18-18 of FIG. 17.

1 Claim, 7 Drawing Sheets



(56)

References Cited

U.S. PATENT DOCUMENTS

D259,183 S * 5/1981 Hirtle D9/450
 D278,121 S * 3/1985 Sussman D9/504
 5,052,592 A * 10/1991 Wilken B65D 83/0033
 222/212
 D351,321 S * 10/1994 Steppe, Sr. D7/608
 D383,980 S * 9/1997 Abfier D9/502
 D420,766 S * 2/2000 Coates D28/76
 D438,376 S * 3/2001 Marshall D3/257
 D454,282 S * 3/2002 Mano D7/608
 D457,245 S * 5/2002 Royal D24/197
 D466,814 S * 12/2002 Hurlburt D9/504
 D488,675 S * 4/2004 Moore D7/608
 D491,800 S * 6/2004 Palomino, Jr. D9/504
 D497,778 S * 11/2004 Rich D7/608
 D630,474 S * 1/2011 Gilbert D7/608
 D641,591 S * 7/2011 Tsukida D7/608
 D651,931 S * 1/2012 Molik D11/3
 D652,682 S * 1/2012 Eyal D7/510
 D675,523 S * 2/2013 Bartz D9/443
 D676,748 S * 2/2013 Guillois D9/445
 D693,688 S * 11/2013 Russell D9/454
 D695,138 S * 12/2013 Ball D9/435
 D703,053 S * 4/2014 Park D9/503

D710,236 S * 8/2014 Lee D10/104.2
 D715,156 S * 10/2014 Park D9/688
 D735,514 S * 8/2015 Cheung D7/300
 D737,149 S * 8/2015 Son D9/688
 D769,067 S * 10/2016 Cheung D7/399
 D777,575 S * 1/2017 Harada D9/503
 D779,272 S * 2/2017 Lee D7/510
 D786,679 S * 5/2017 Barroso Miana D9/504
 D799,899 S * 10/2017 Rummel D7/510
 D806,475 S * 1/2018 Pisarevsky D7/507
 D819,894 S * 6/2018 Sung D29/126
 D823,537 S * 7/2018 Beaver D27/191
 D823,689 S * 7/2018 Durand D9/503
 D828,113 S * 9/2018 Fleischhut D7/608
 D836,389 S * 12/2018 Abante D7/392.1
 D838,141 S * 1/2019 Bertsch D7/510
 D841,393 S * 2/2019 Adams, Jr. D7/392.1
 D845,132 S * 4/2019 Otani D9/503
 D846,995 S * 4/2019 El Beaini D9/684
 D853,183 S * 7/2019 Adams, Jr. D7/392.1
 D853,789 S * 7/2019 Adams, Jr. D7/509
 2010/0108695 A1 * 5/2010 Zhang B65D 1/265
 220/592.26
 2015/0359365 A1 * 12/2015 Feeley A47G 19/2272
 220/713
 2019/0069699 A1 * 3/2019 Nichols A47G 19/2288
 * cited by examiner

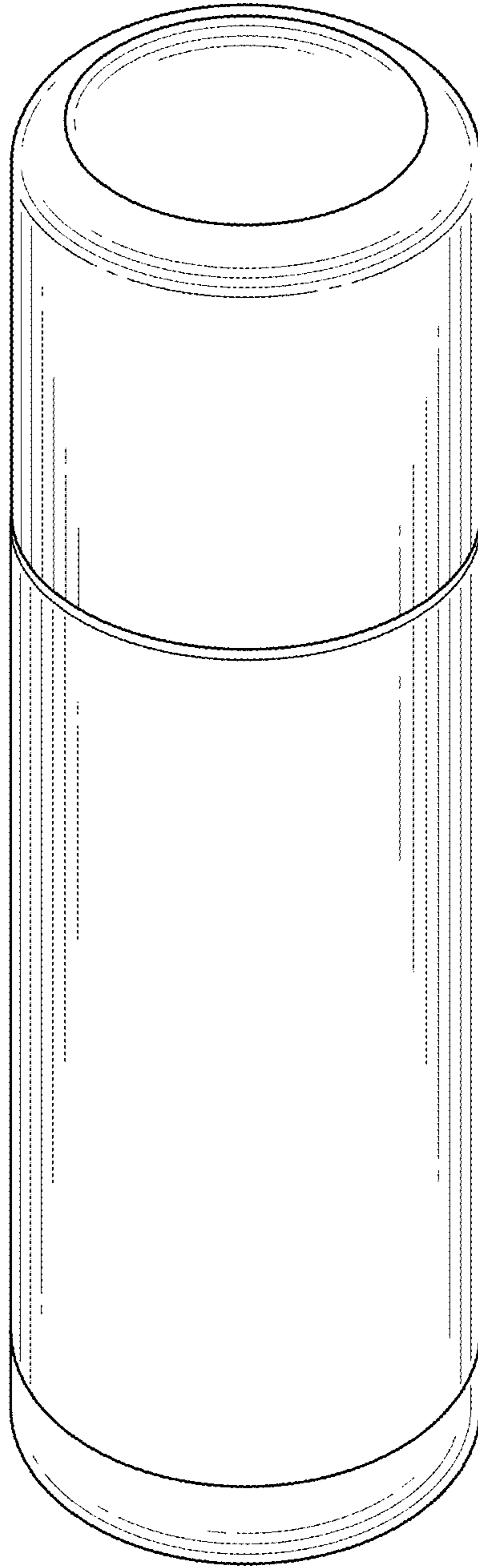


FIG. 1

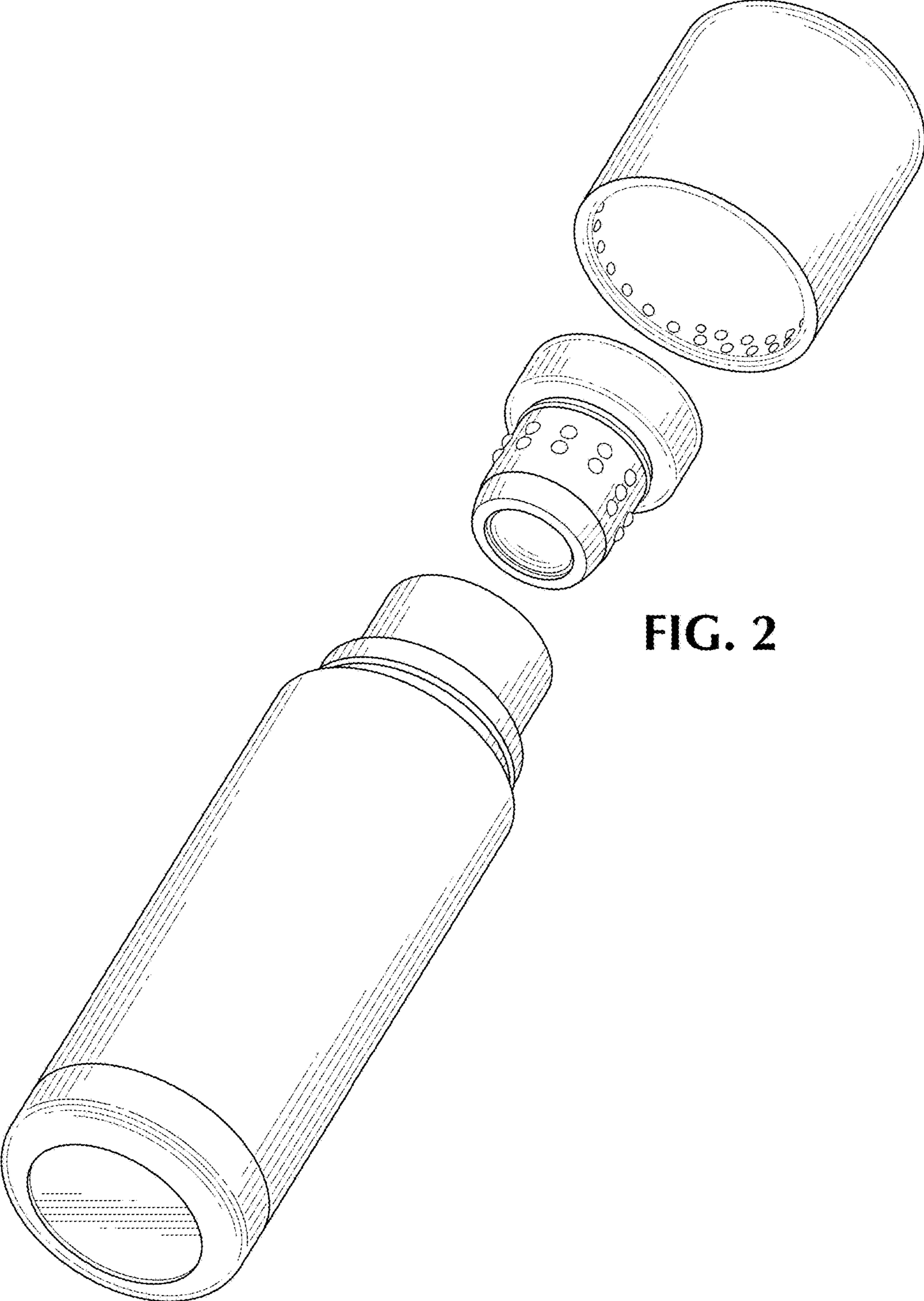


FIG. 2

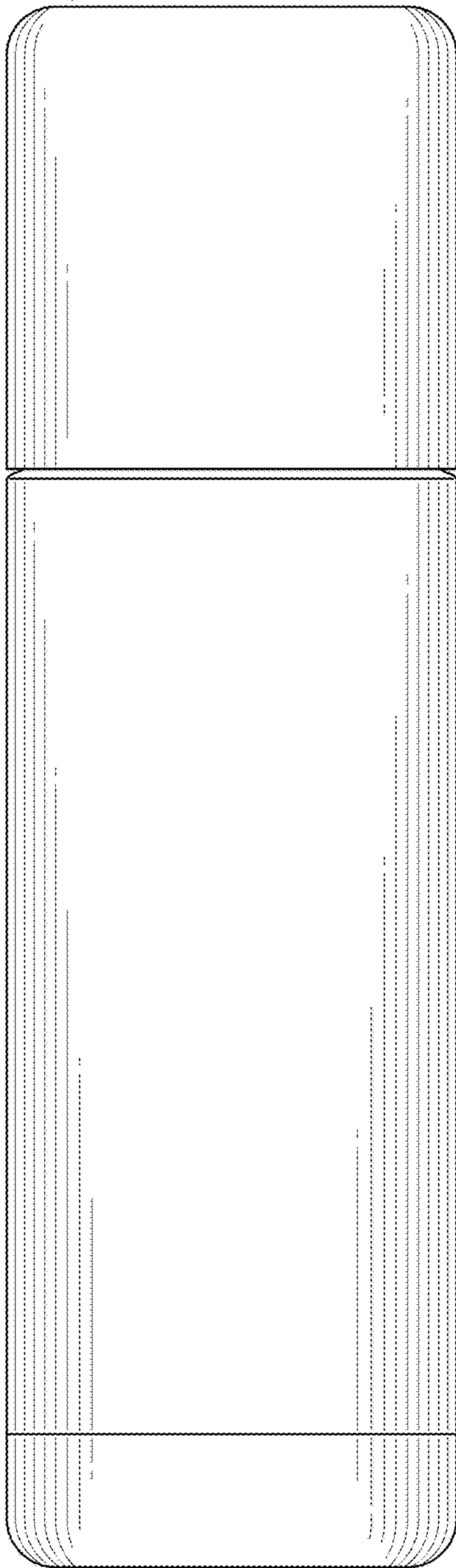


FIG. 3

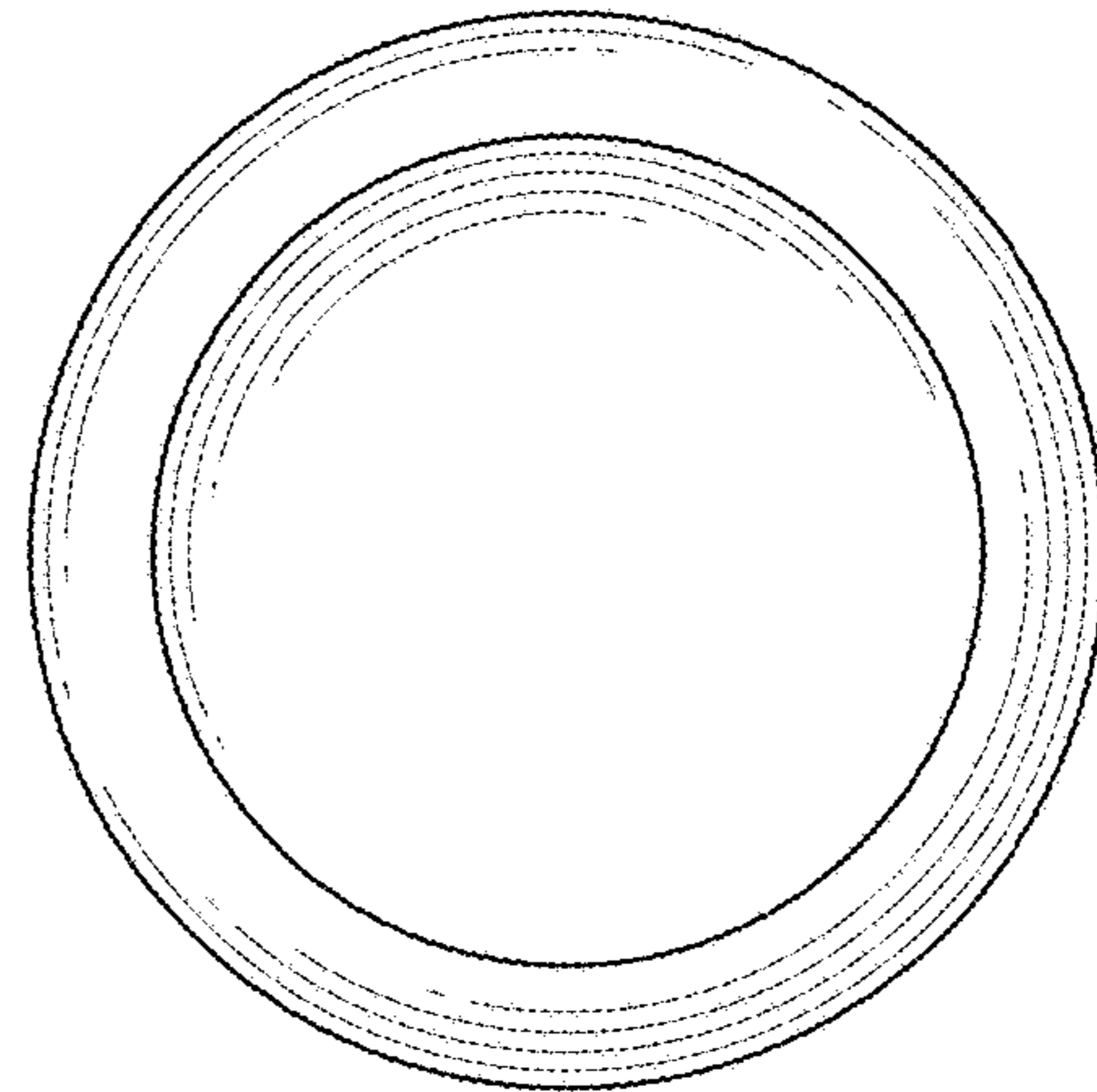


FIG. 4

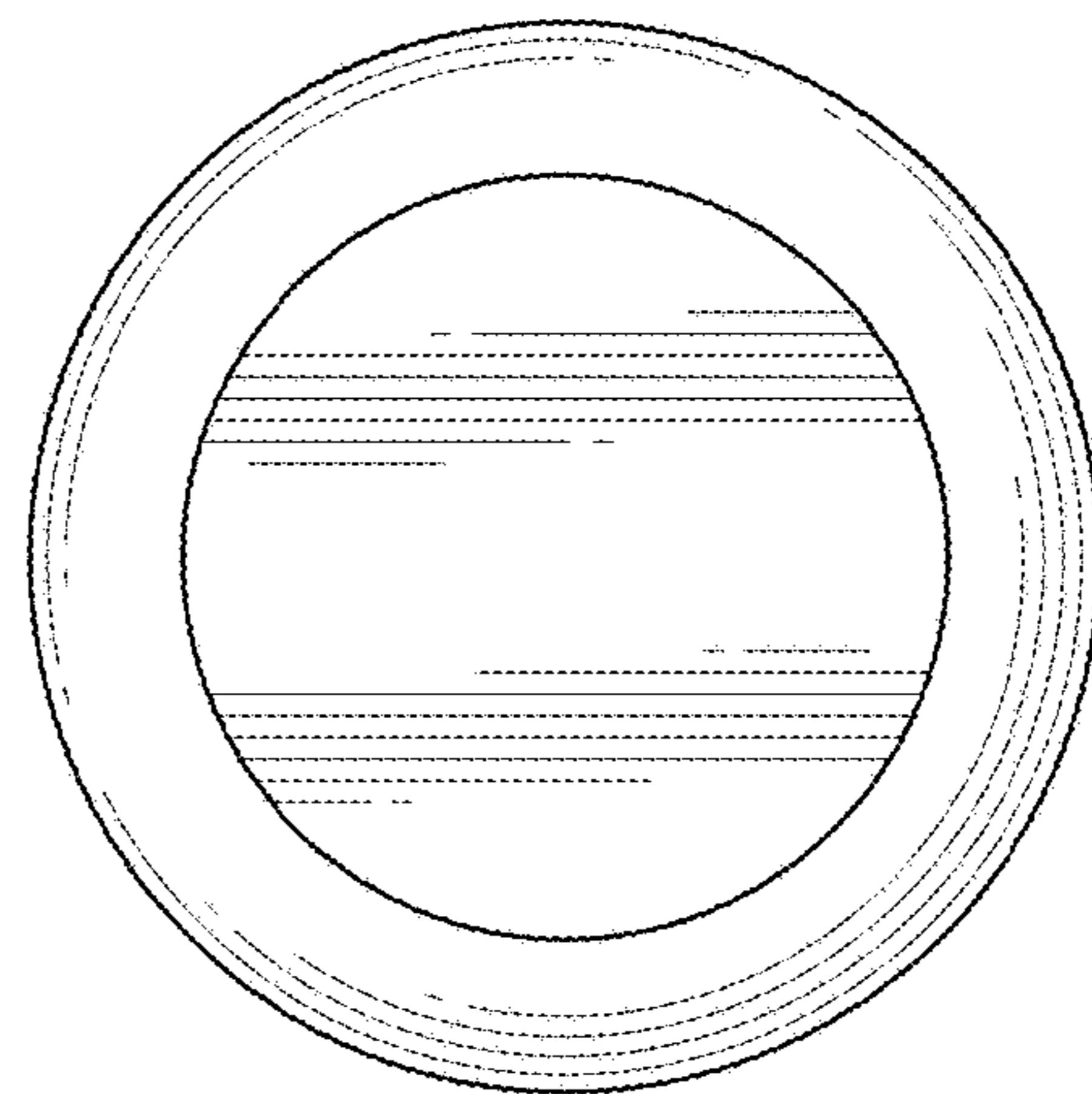


FIG. 5

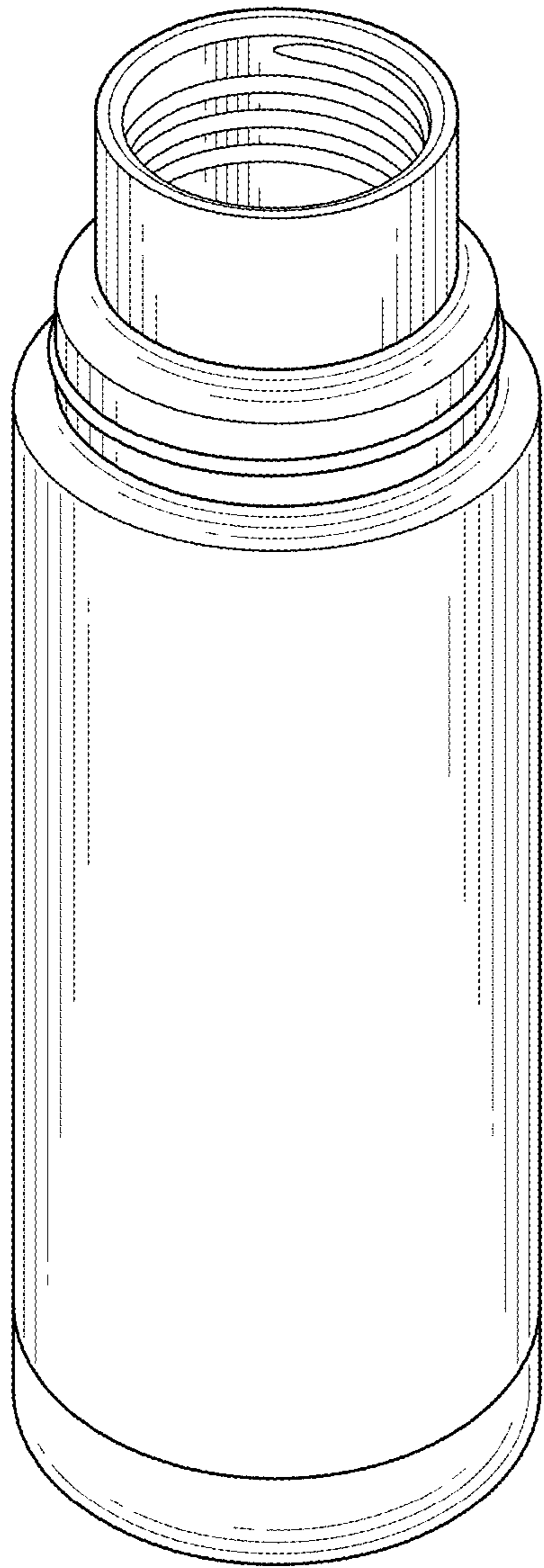


FIG. 6

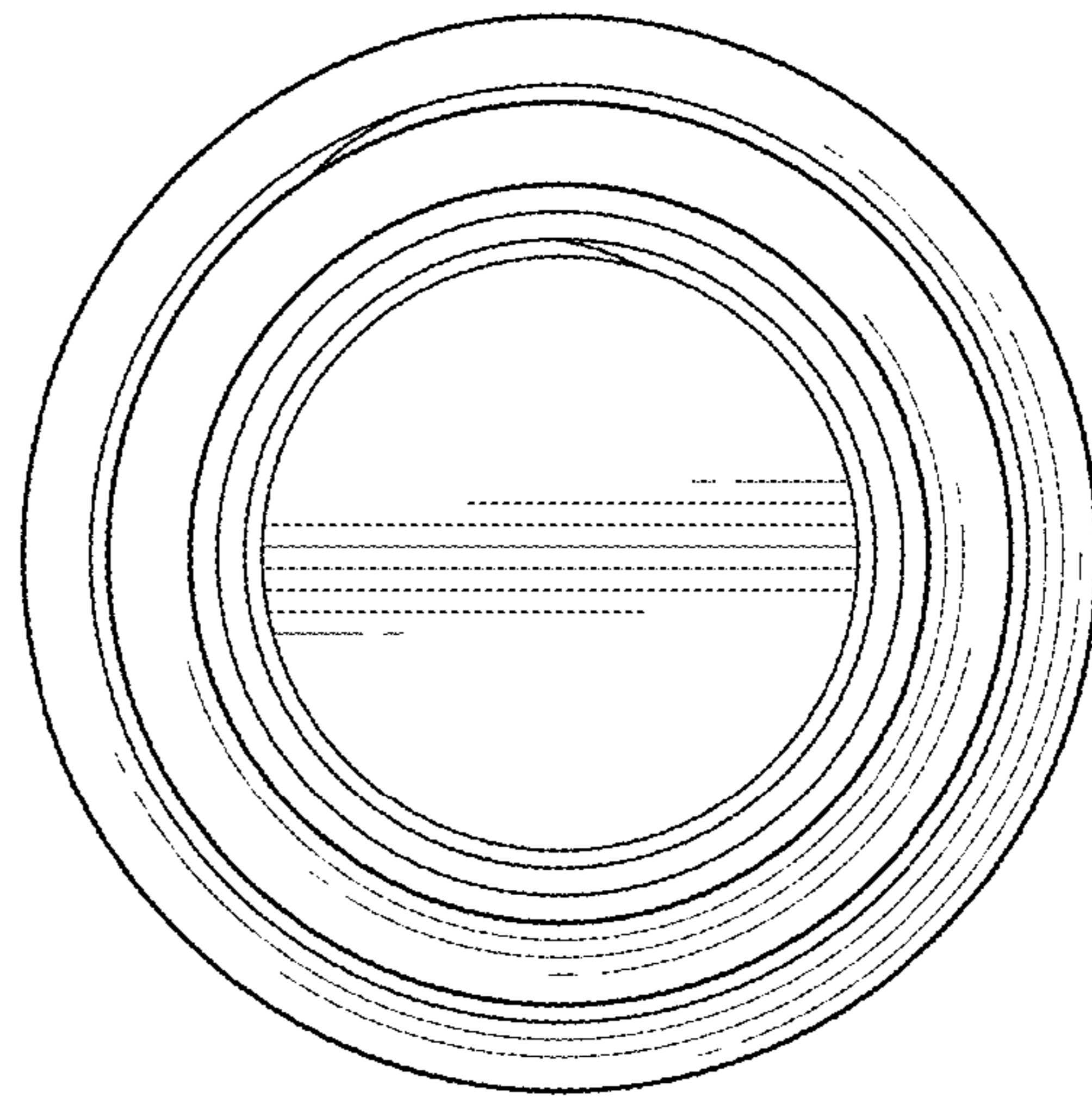


FIG. 7

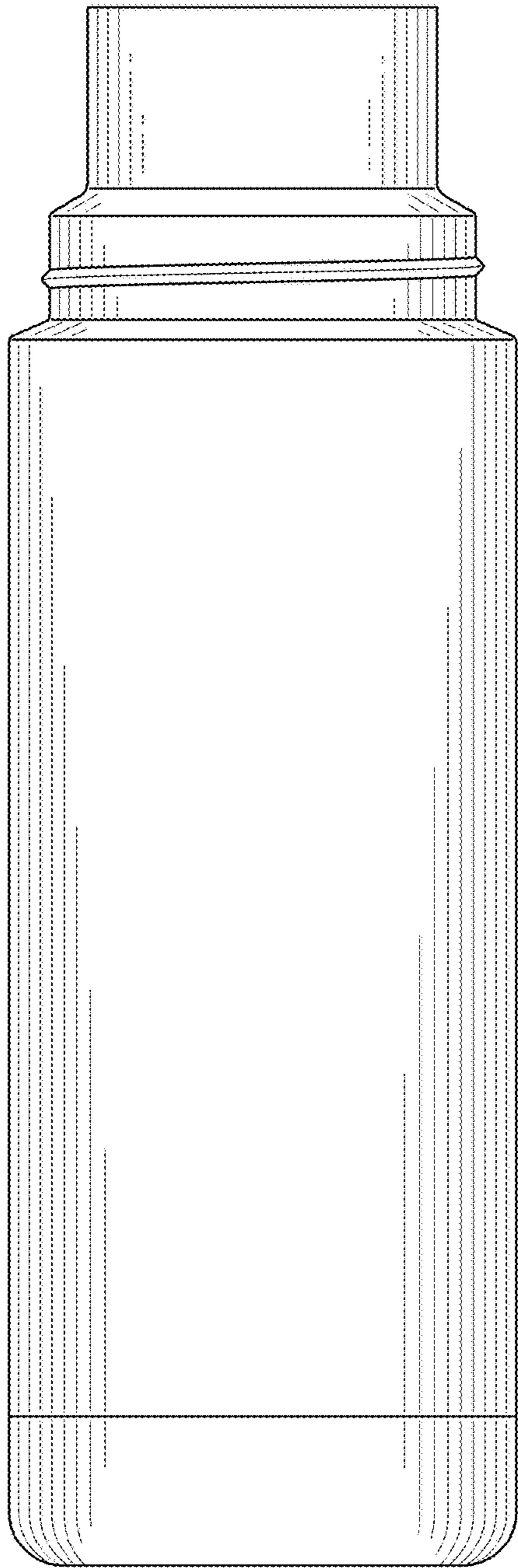


FIG. 8

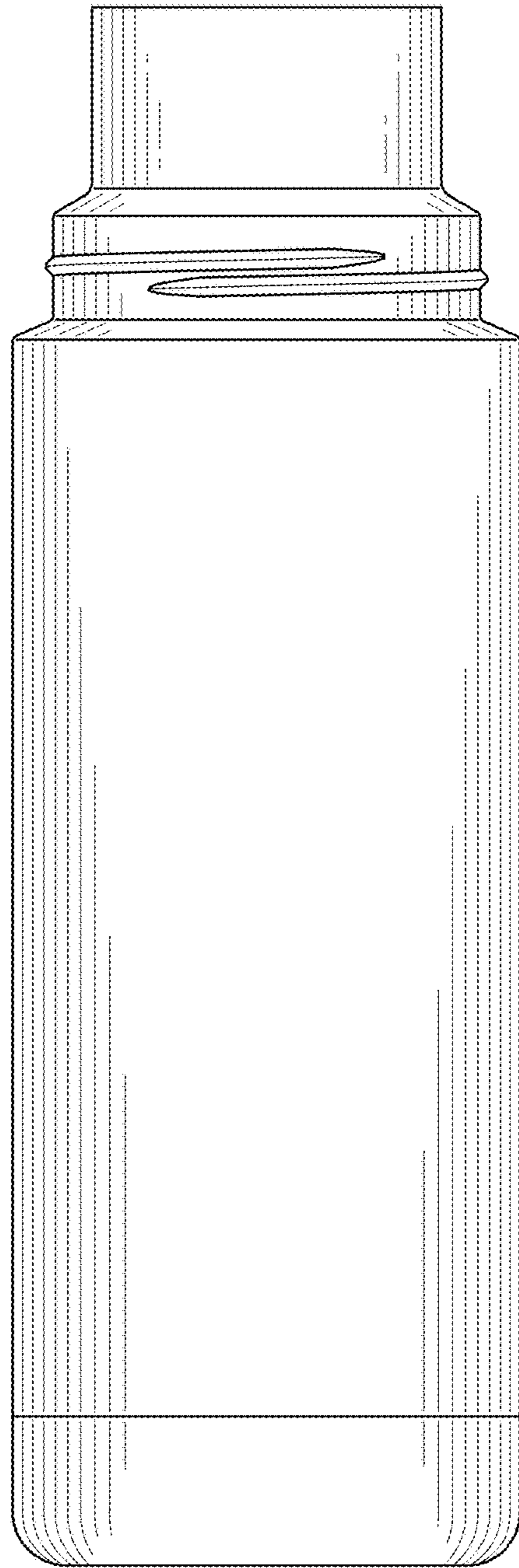


FIG. 9

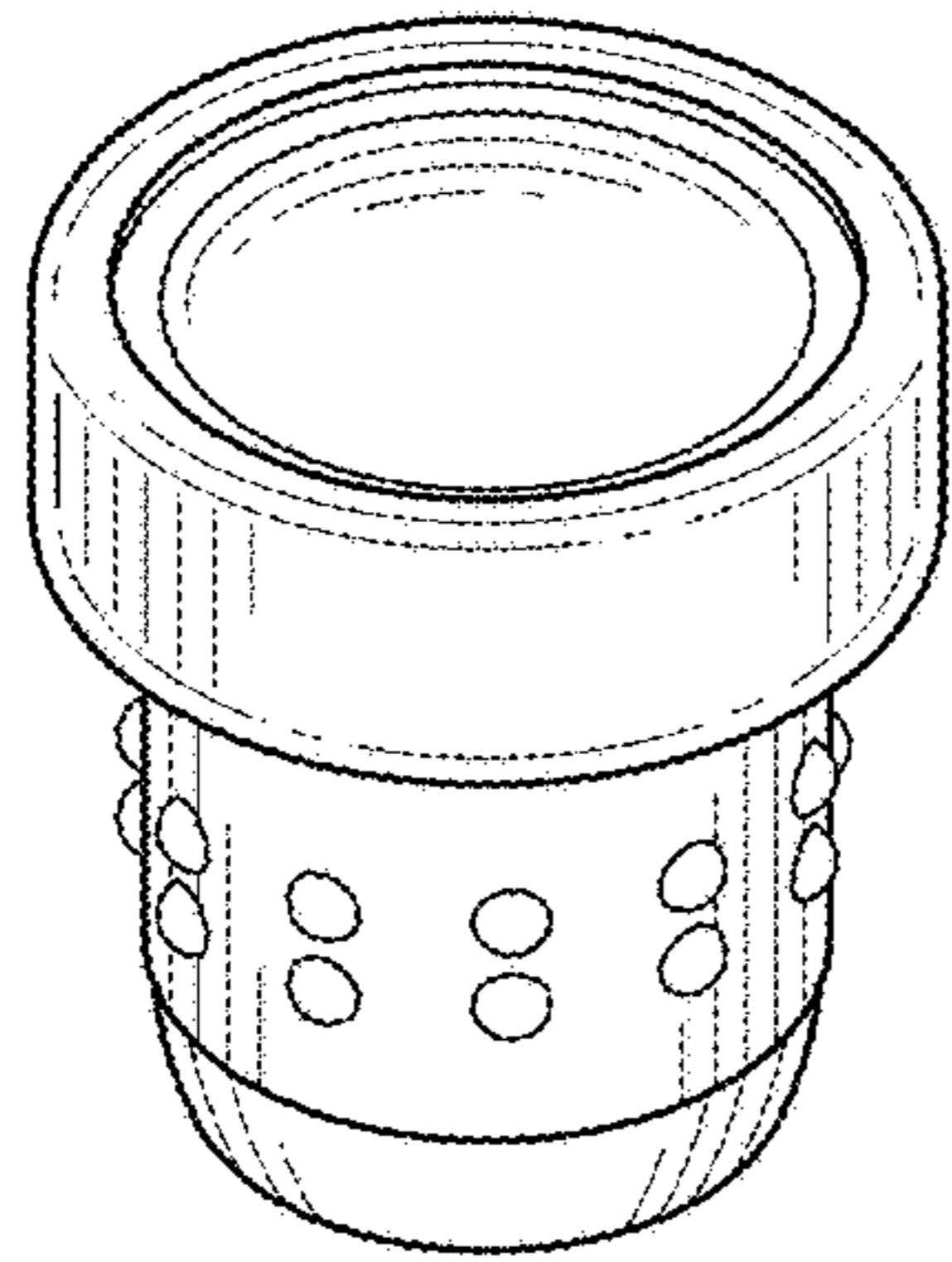


FIG. 10

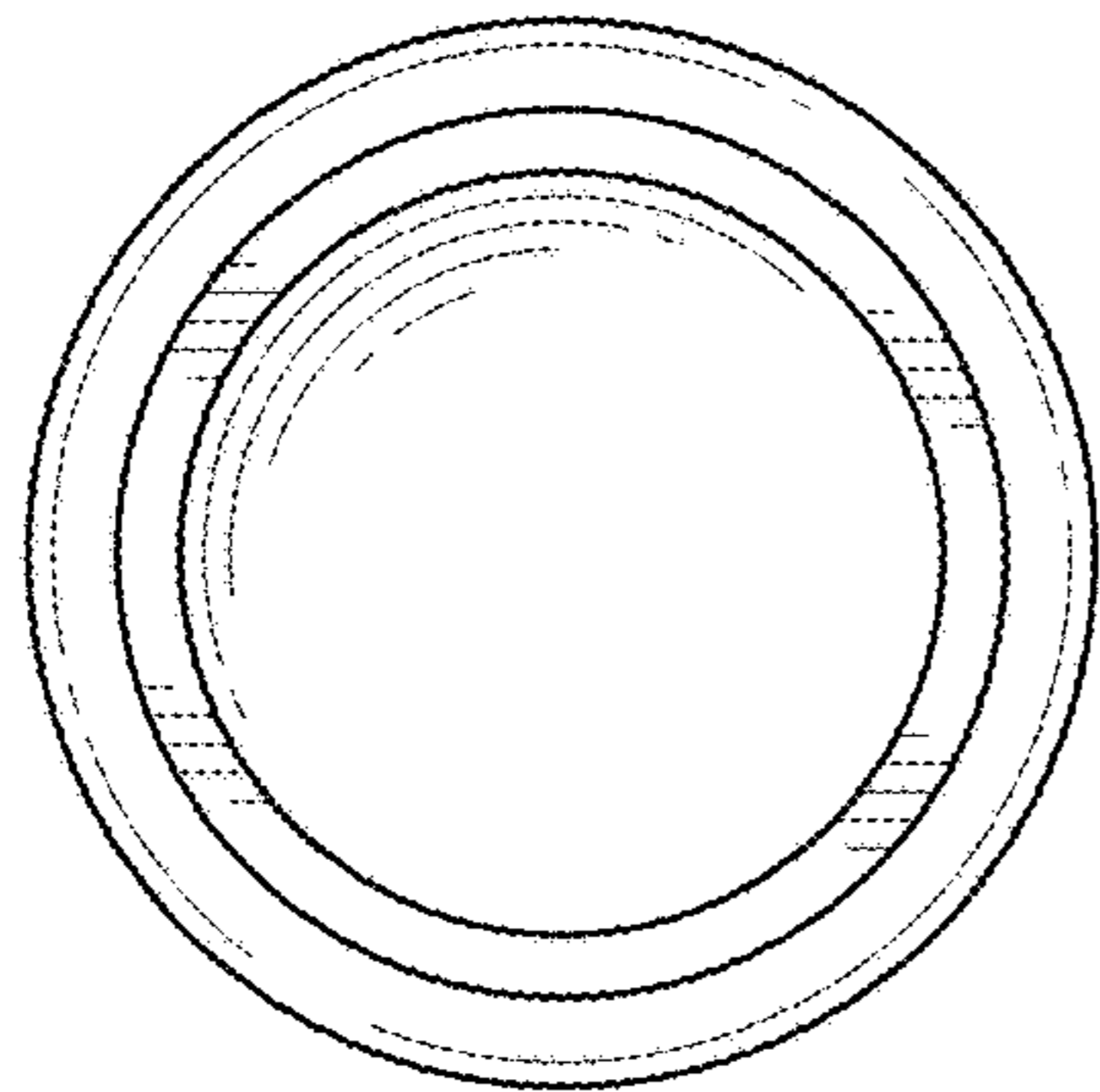


FIG. 11

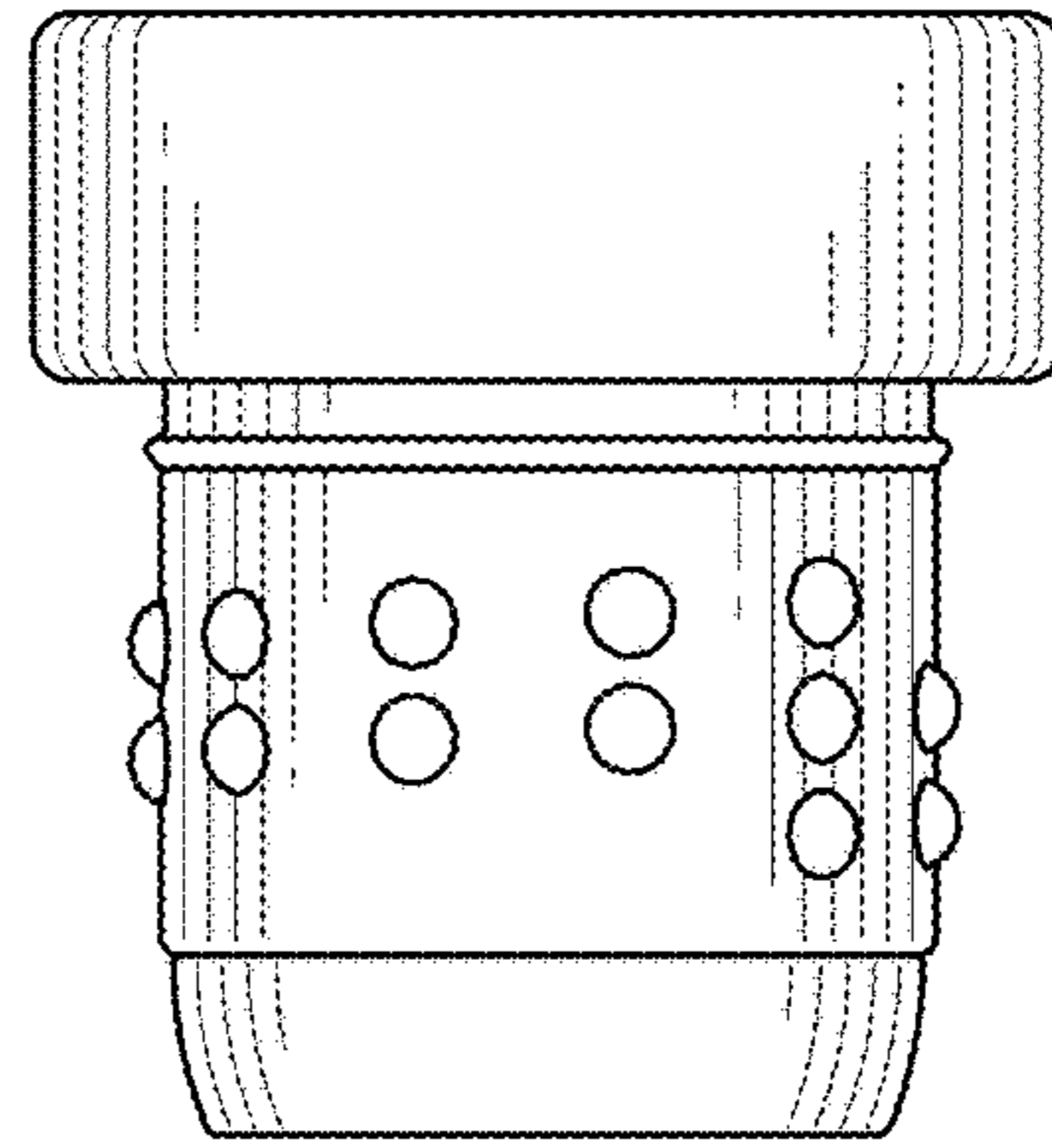


FIG. 12

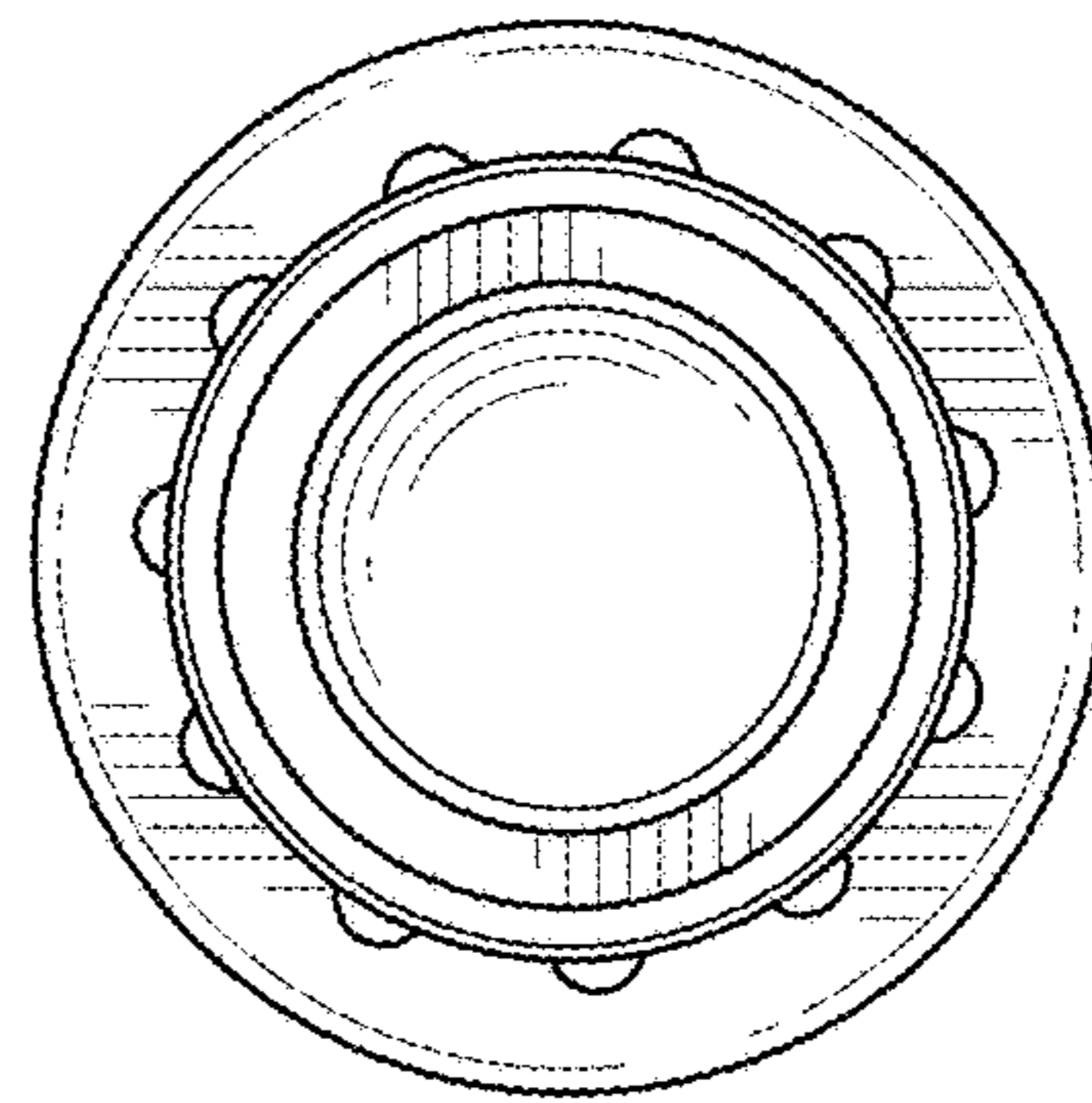


FIG. 13

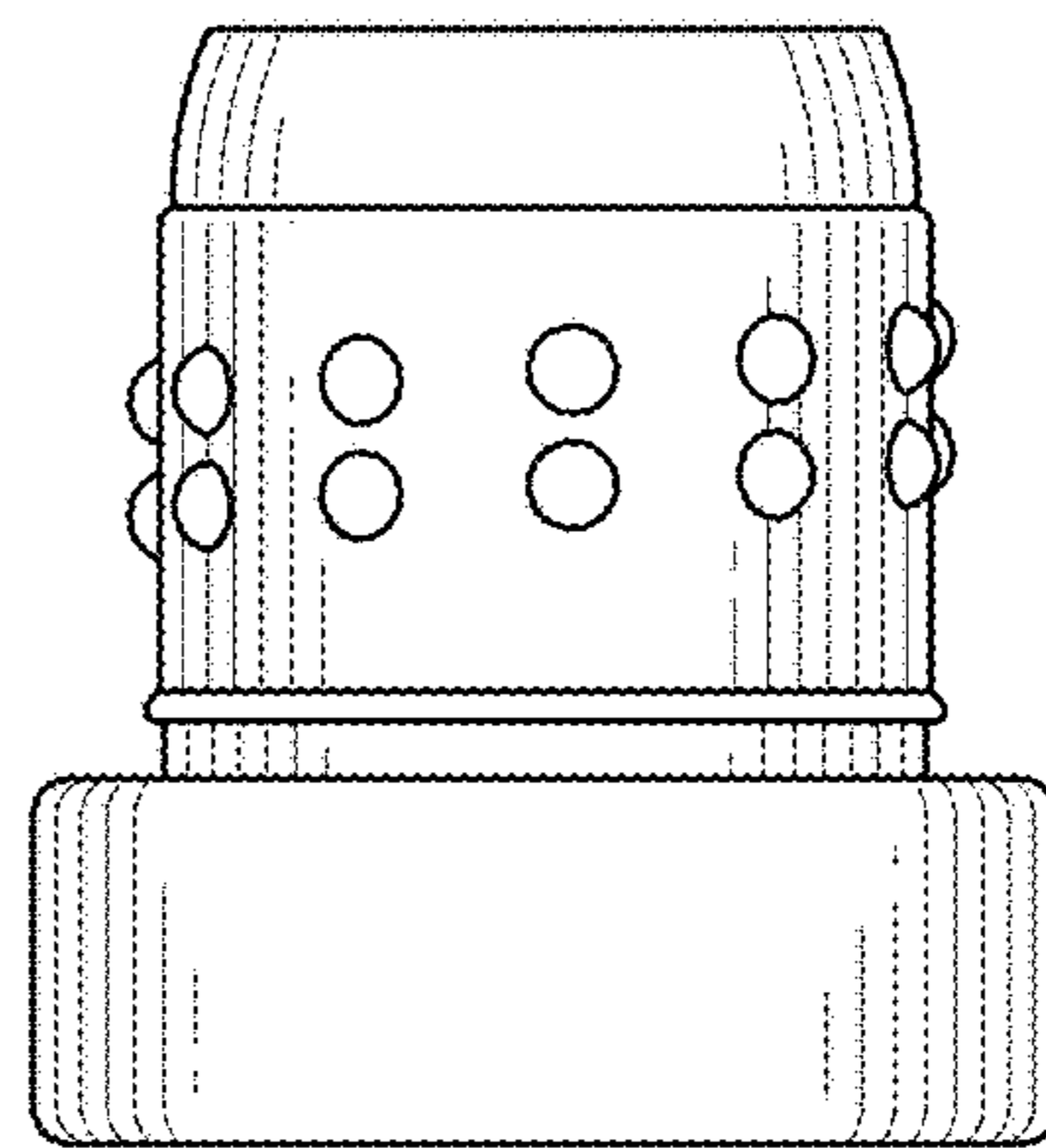


FIG. 14

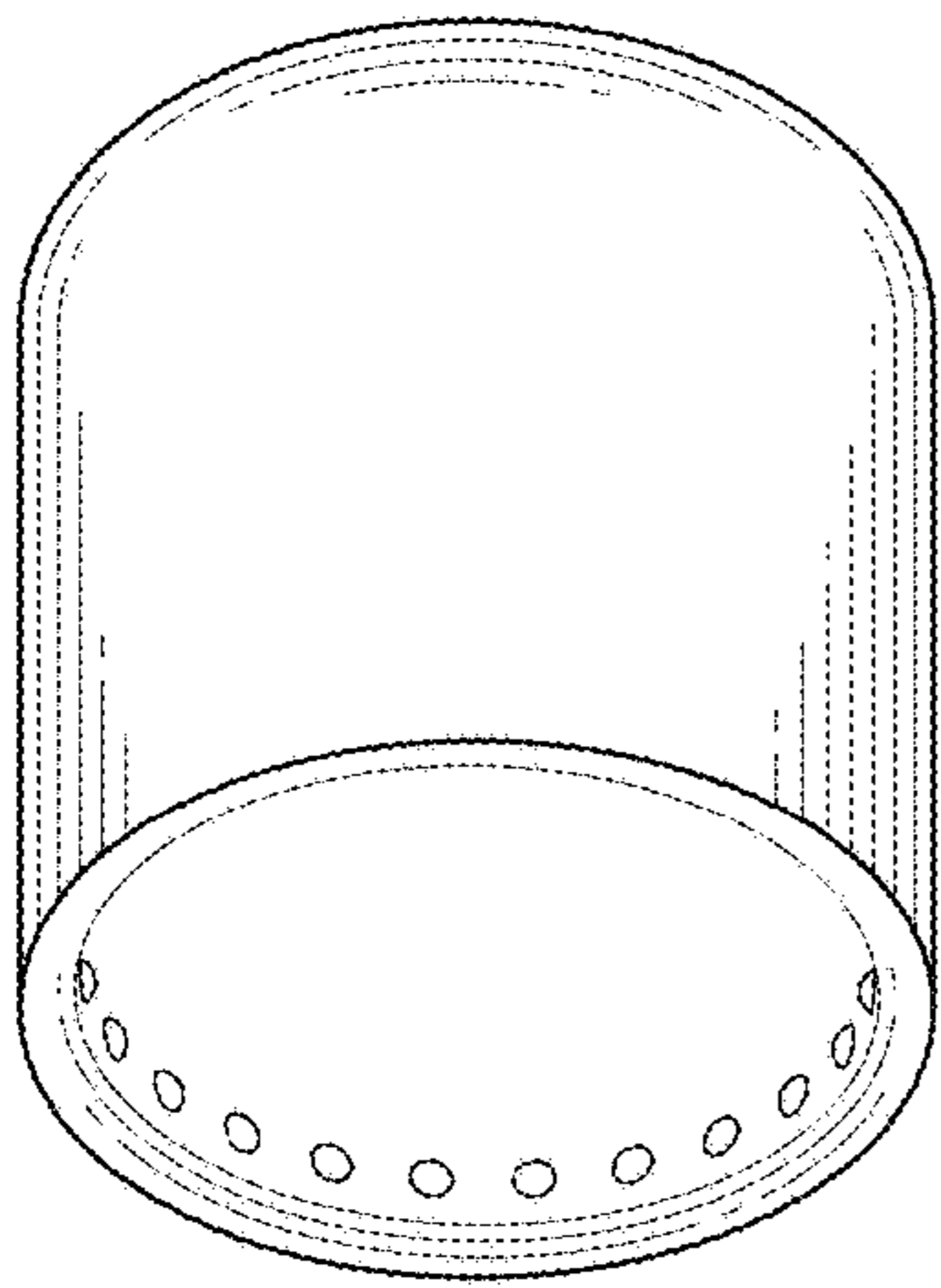


FIG. 15

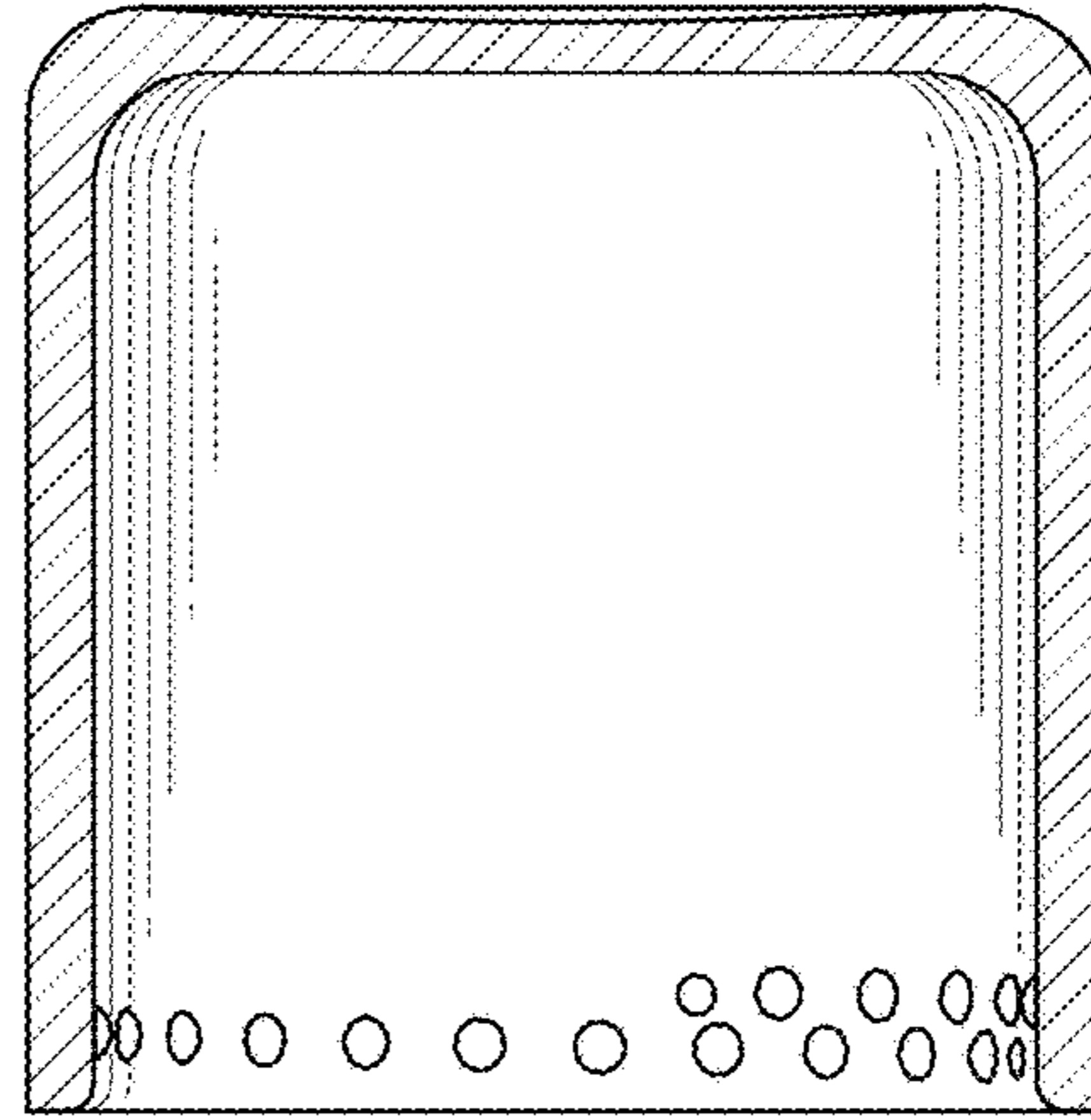


FIG. 16

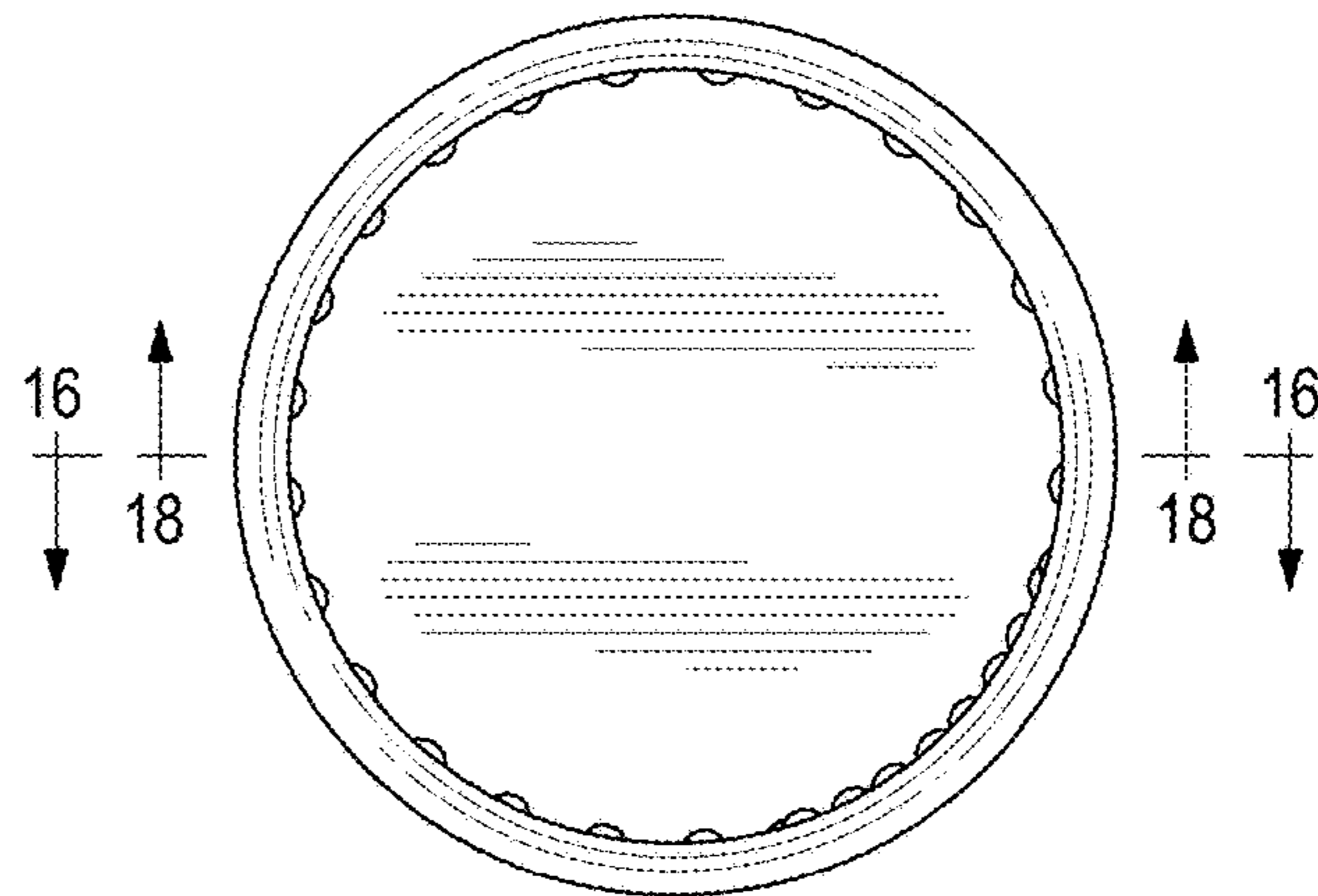


FIG. 17

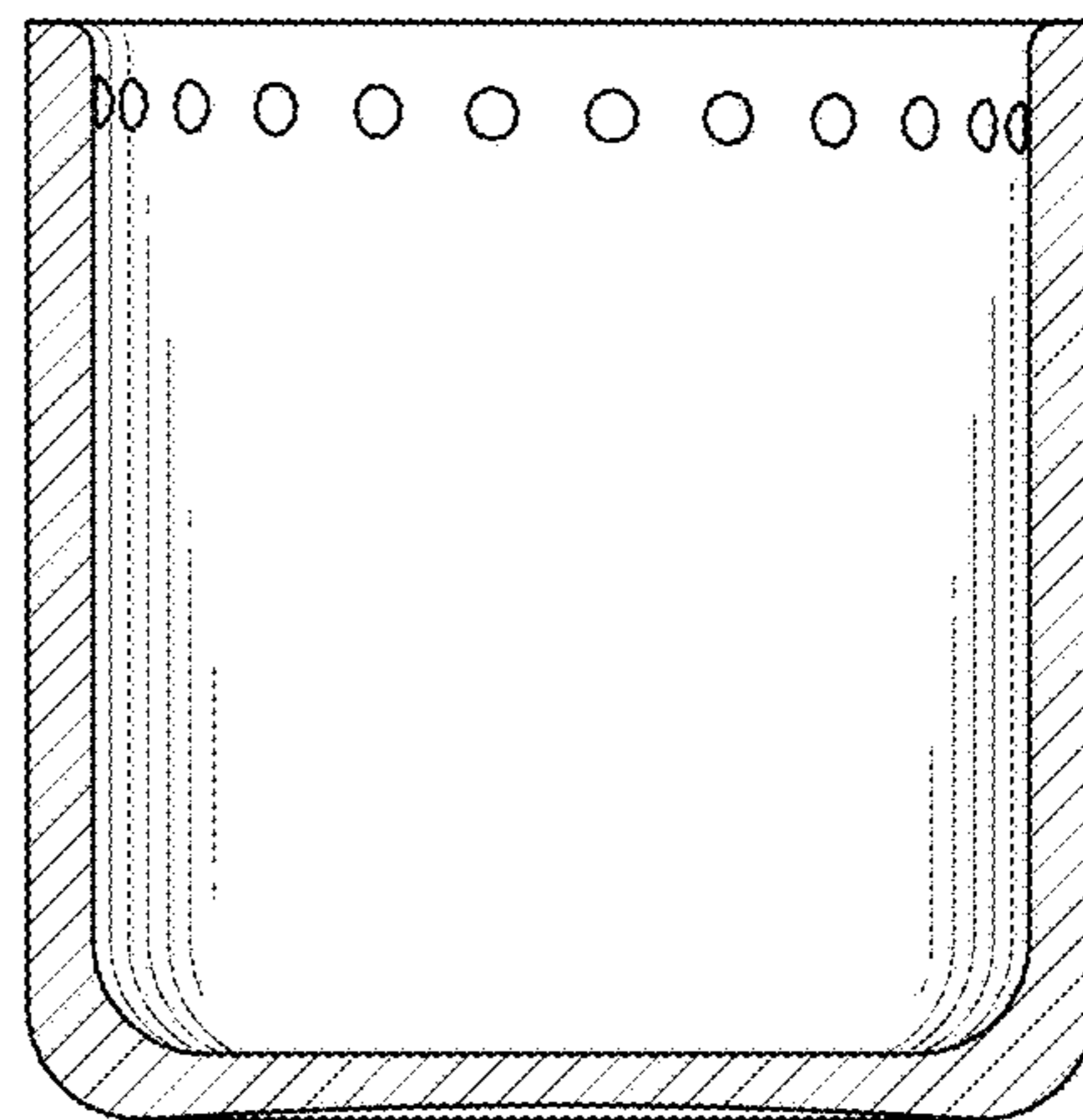


FIG. 18