



US00D871841S

(12) **United States Design Patent** (10) **Patent No.:** **US D871,841 S**  
**Jiang** (45) **Date of Patent:** **\*\* Jan. 7, 2020**

(54) **WATER BOTTLE**

(71) Applicant: **Xiangmei Jiang**, Jilin (CN)

(72) Inventor: **Xiangmei Jiang**, Jilin (CN)

(\*\*) Term: **15 Years**

(21) Appl. No.: **29/609,713**

(22) Filed: **Jul. 5, 2017**

(51) **LOC (12) Cl.** ..... **07-01**

(52) **U.S. Cl.**

USPC ..... **D7/510**; D7/523; D7/533

(58) **Field of Classification Search**

USPC ..... D7/507, 509, 510, 511, 512, 523, 531,  
D7/532, 533, 535, 536, 608, 392.1, 396.2,  
D7/529, 667, 319, 320, 300, 300.1;  
D9/435, 436, 449, 442, 443, 500, 502,  
D9/503, 504, 529, 447, 516, 453, 531,  
D9/567, 539, 560, 544, 572, 573, 530,  
D9/537, 552, 556, 571, 575, 550;  
220/592.16, 592.17, 62.12, 703; D26/7  
CPC ..... A45F 3/16; B65D 47/066; A47J 43/27;  
A47G 19/2272; A47G 19/2211; A47G  
19/22; A47G 19/2222  
See application file for complete search history.

(56) **References Cited**

U.S. PATENT DOCUMENTS

D640,095 S \* 6/2011 Dettloff ..... D7/396.2  
D741,025 S \* 10/2015 Ross ..... D30/121

D795,059 S \* 8/2017 Buck ..... D9/428  
D801,111 S \* 10/2017 Eyal ..... D7/392.1  
2008/0006718 A1\* 1/2008 Junkel ..... A45F 3/16  
239/333  
2012/0261416 A1\* 10/2012 Lin ..... B65D 43/0229  
220/253  
2016/0159538 A1\* 6/2016 Michie ..... A45F 3/16  
215/306

\* cited by examiner

*Primary Examiner* — Jae Liang

(74) *Attorney, Agent, or Firm* — Justin Lampel

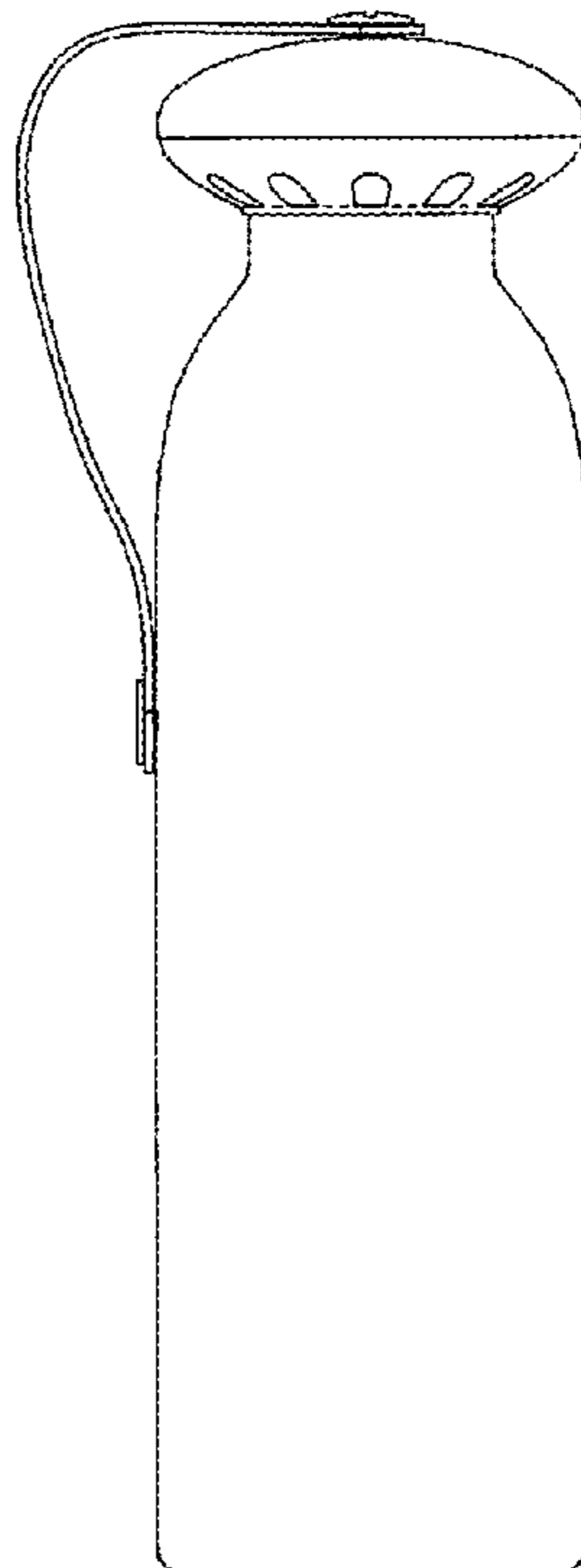
(57) **CLAIM**

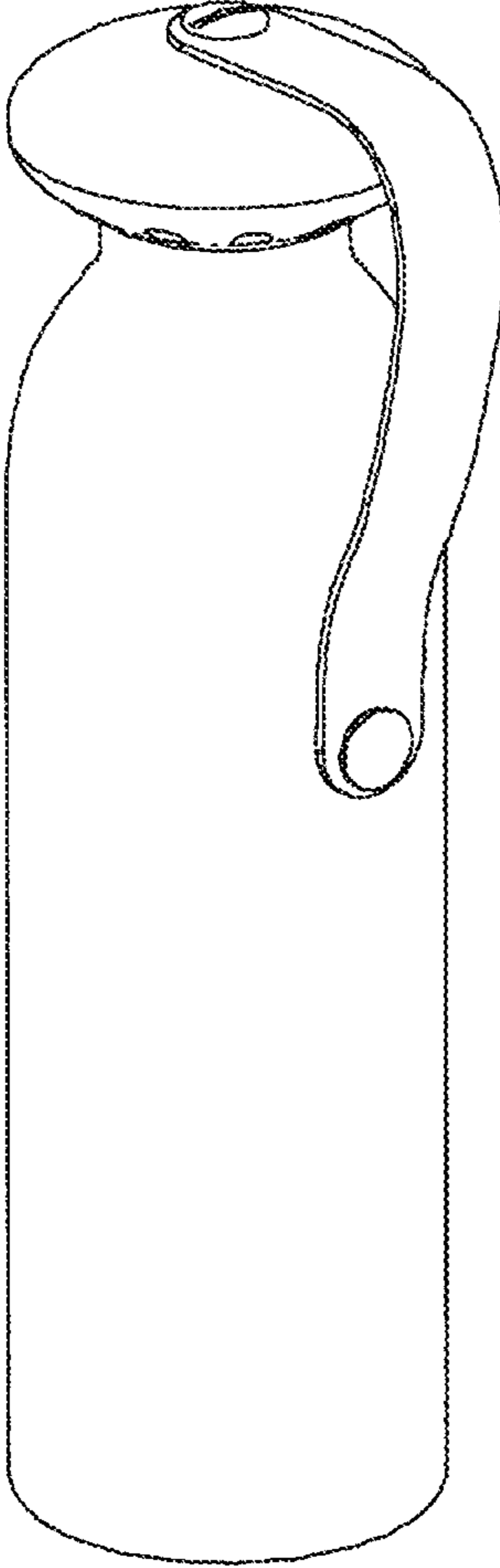
The ornamental design for a water bottle, as shown and described.

**DESCRIPTION**

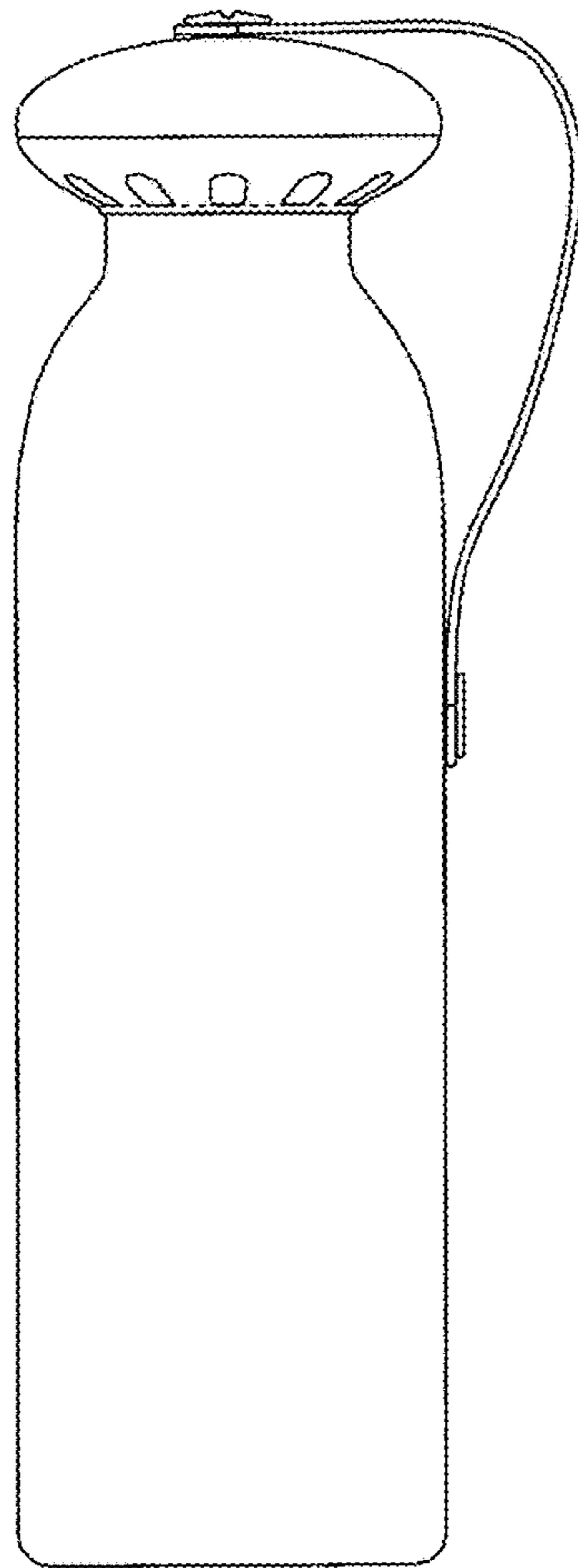
FIG. 1 is a perspective view of a water bottle showing my new design;  
FIG. 2 is a front elevational view thereof;  
FIG. 3 is a rear elevational view thereof;  
FIG. 4 is a right side view thereof;  
FIG. 5 is a left side view thereof;  
FIG. 6 is an enlarged bottom plan view thereof; and,  
FIG. 7 is an enlarged top plan view thereof.  
The broken lines in the drawings depict portions of the water bottle that form no part of the claimed design.

**1 Claim, 6 Drawing Sheets**

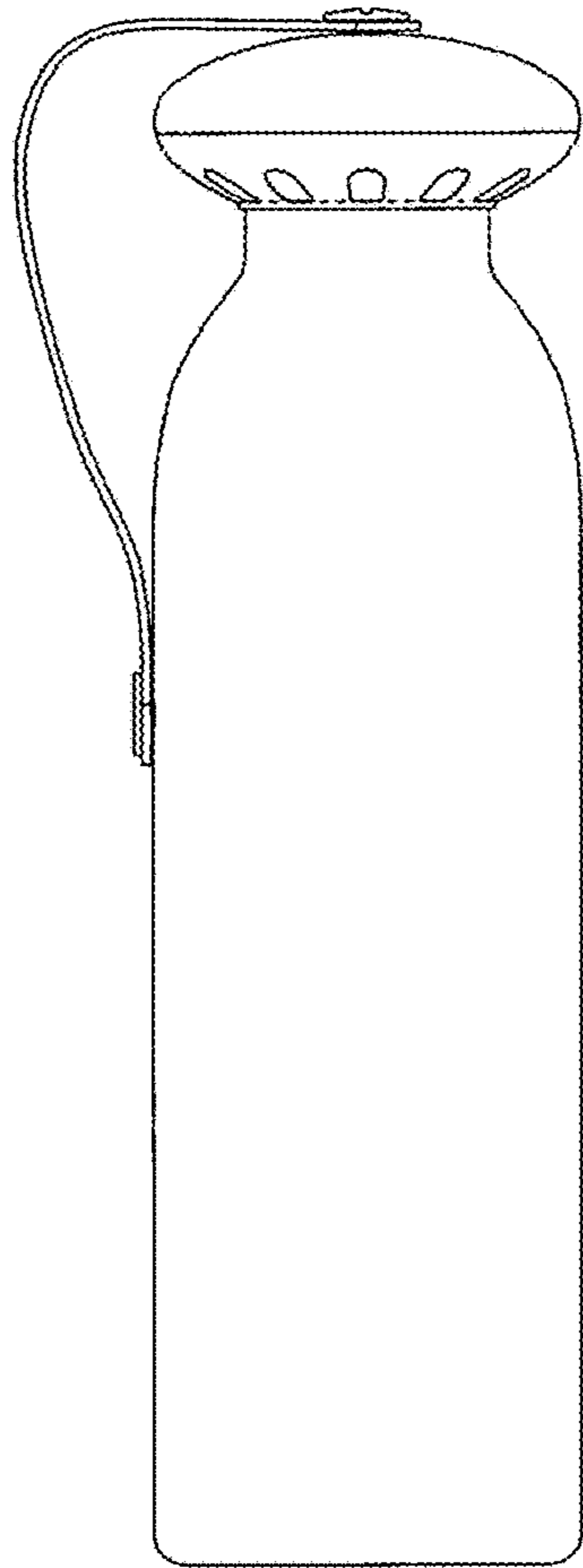




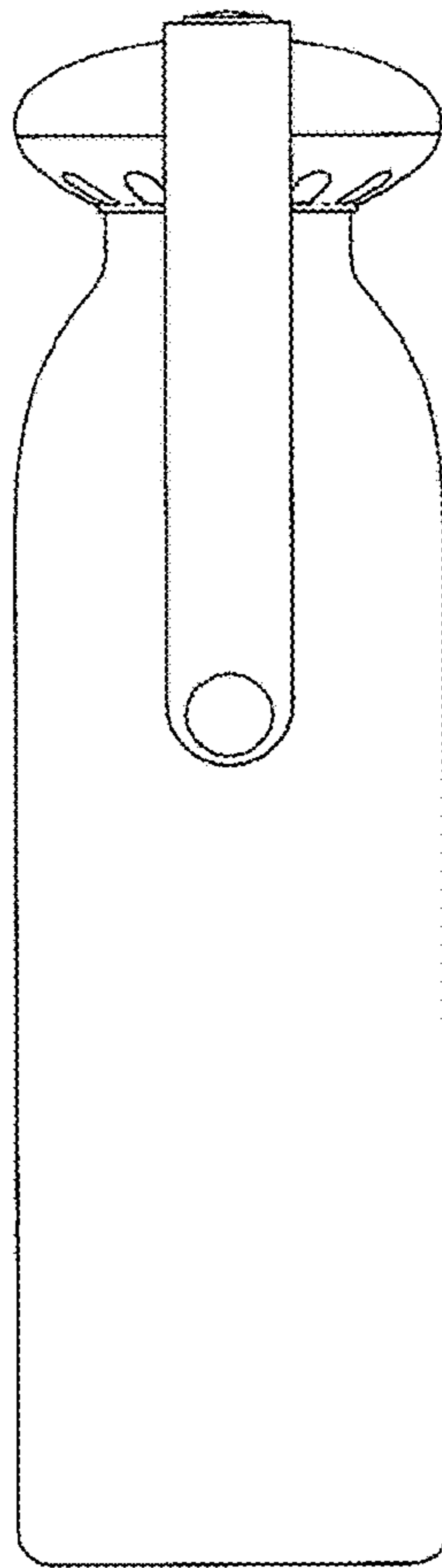
**FIG.1**



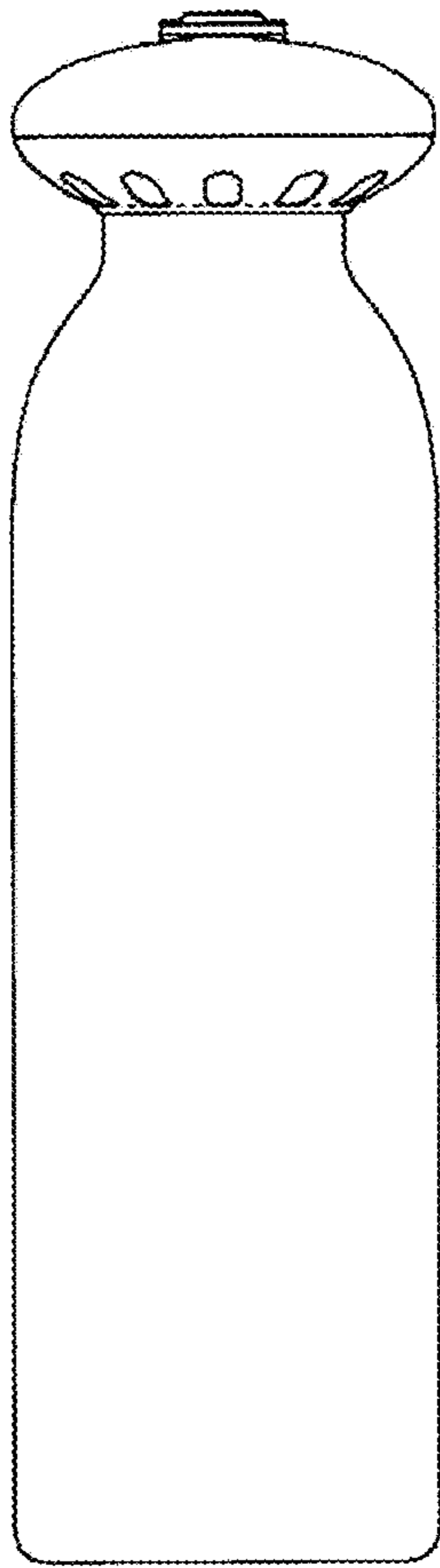
**FIG.2**



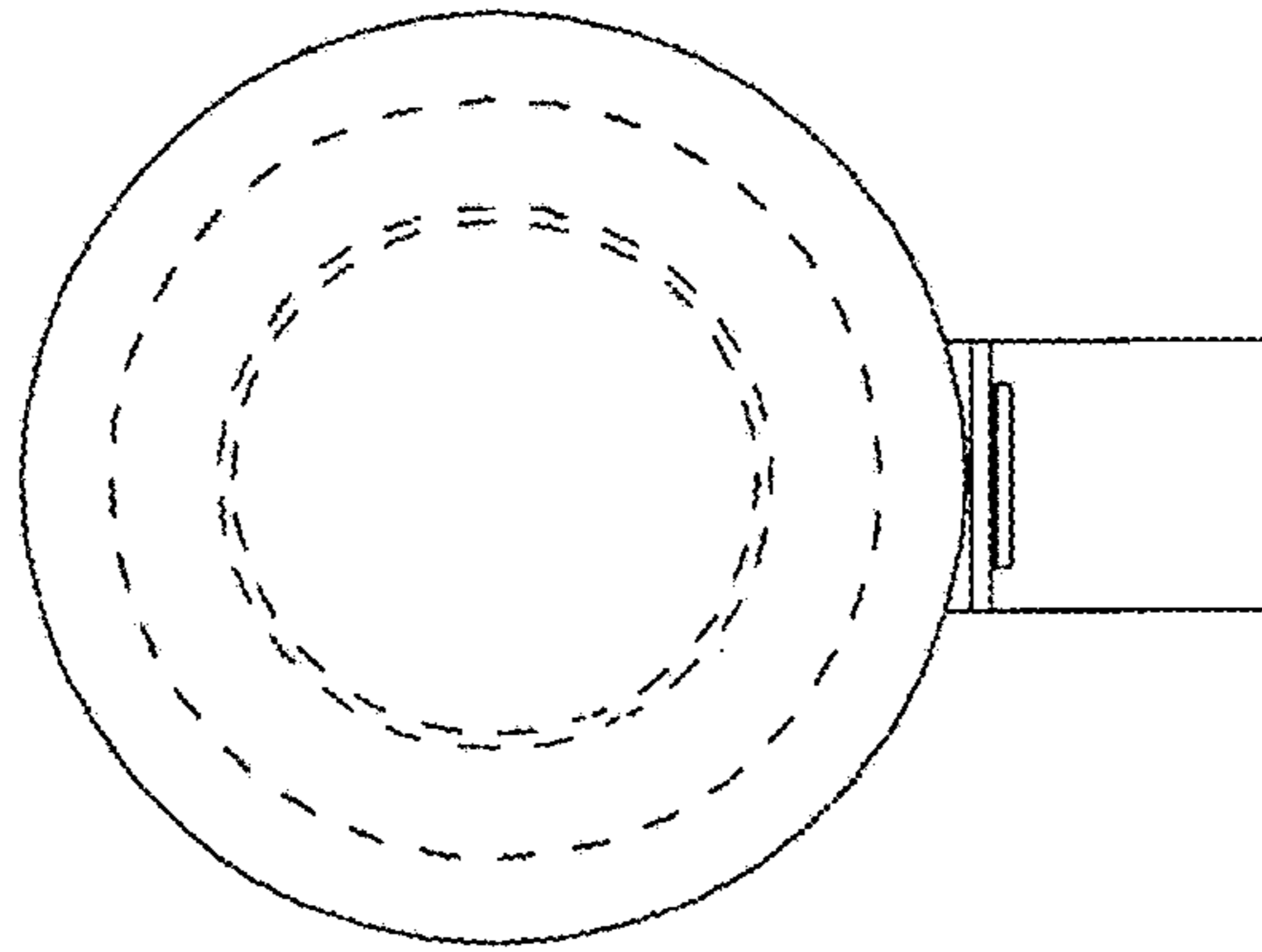
**FIG.3**



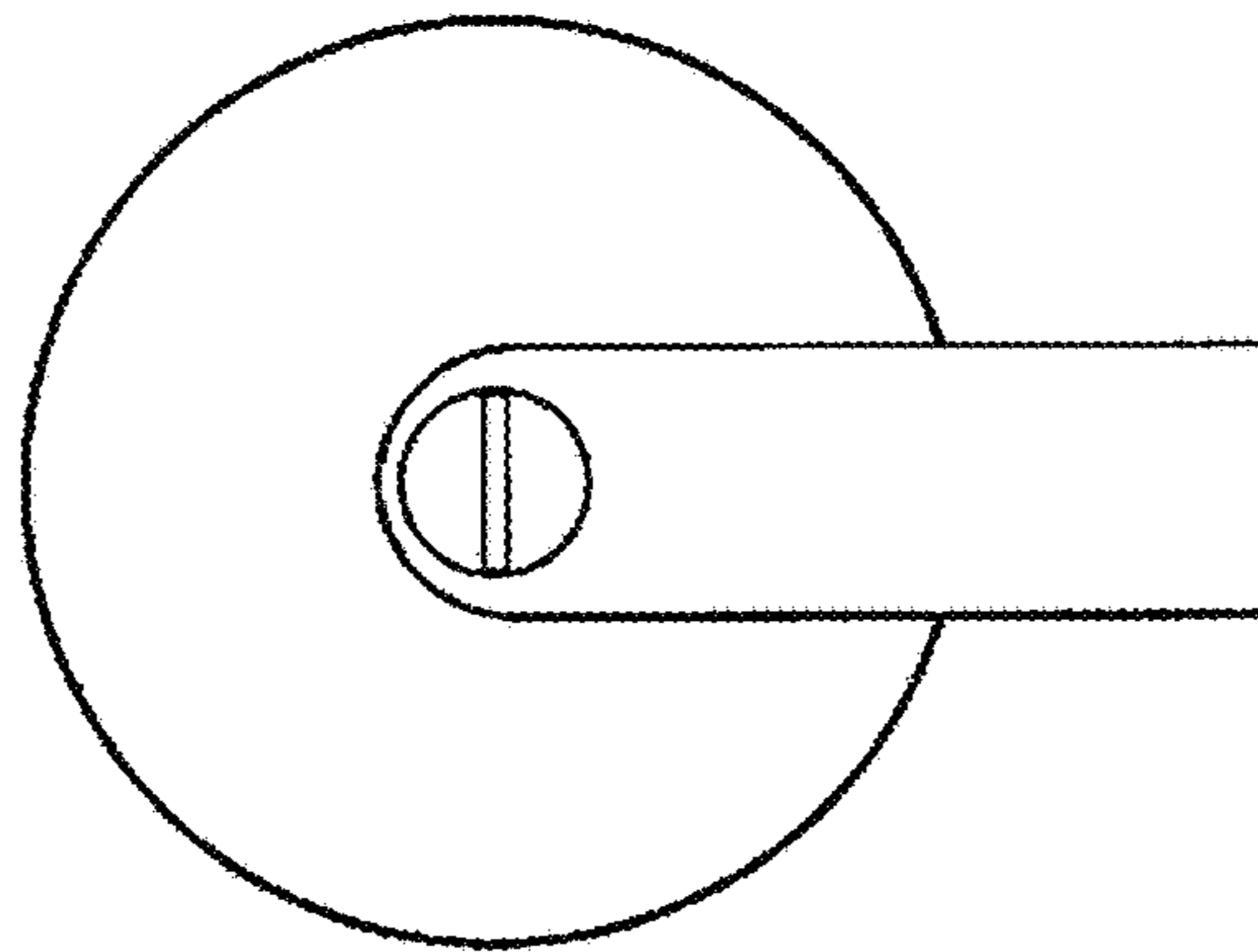
**FIG.4**



**FIG.5**



**FIG.6**



**FIG.7**