



US00D871839S

(12) **United States Design Patent**
Sun

(10) **Patent No.:** **US D871,839 S**
(45) **Date of Patent:** **** Jan. 7, 2020**

- (54) **RETRACTABLE WATER BOTTLE**
- (71) Applicant: **Weiming Sun**, Ganzhou (CN)
- (72) Inventor: **Weiming Sun**, Ganzhou (CN)
- (73) Assignee: **Yiwu Smartlove Pet Products Co., Ltd.**, Yiwu (CN)
- (**) Term: **15 Years**
- (21) Appl. No.: **29/674,862**
- (22) Filed: **Dec. 27, 2018**
- (51) **LOC (12) Cl.** **07-01**
- (52) **U.S. Cl.**
USPC **D7/507; D7/510; D7/531; D30/132; D30/121; D30/129**
- (58) **Field of Classification Search**
USPC **D7/507, 509, 510, 511, 529, 531, 532, D7/523, 533, 534, 535, 536, 392.1, 296.1, D7/396.2, 387, 300.1, 591, 688, 665; D9/500, 50, 502, 503, 504, 516, 556, 569, D9/542, 530, 531; D3/202; D30/121, D30/129, 132**
CPC **A47G 19/22; A47G 19/2288; A47G 19/2205; A47G 19/2227; B65D 1/265; A47J 43/27; A45F 3/16**
See application file for complete search history.

D774,834 S *	12/2016	Breit	D7/587
D806,568 S *	1/2018	Chen	D9/719
D809,845 S *	2/2018	Marchitello	D7/306
10,251,468 B1 *	4/2019	Moore	A45F 3/18
D850,017 S *	5/2019	Brucato	D30/132
D854,256 S *	7/2019	Flores	D30/132
D861,258 S *	9/2019	Liang	D30/132
2007/0017450 A1 *	1/2007	Hurwitz	A01K 7/00 119/74
2007/0017451 A1 *	1/2007	Hurwitz	A01K 7/00 119/74
2007/0079762 A1 *	4/2007	Stephanos	A01K 7/00 119/74
2008/0087224 A1 *	4/2008	Wechsler	A01K 7/00 119/52.1
2009/0159009 A1 *	6/2009	Parks	A01K 7/00 119/74
2014/0209032 A1 *	7/2014	Li	A01K 7/00 119/74
2014/0261198 A1 *	9/2014	Wechsler	A01K 7/00 119/52.1
2017/0127859 A1 *	5/2017	Hornung	A45F 3/18

* cited by examiner

Primary Examiner — Jae Liang

(57) **CLAIM**

The ornamental design for a retractable water bottle, as shown and described.

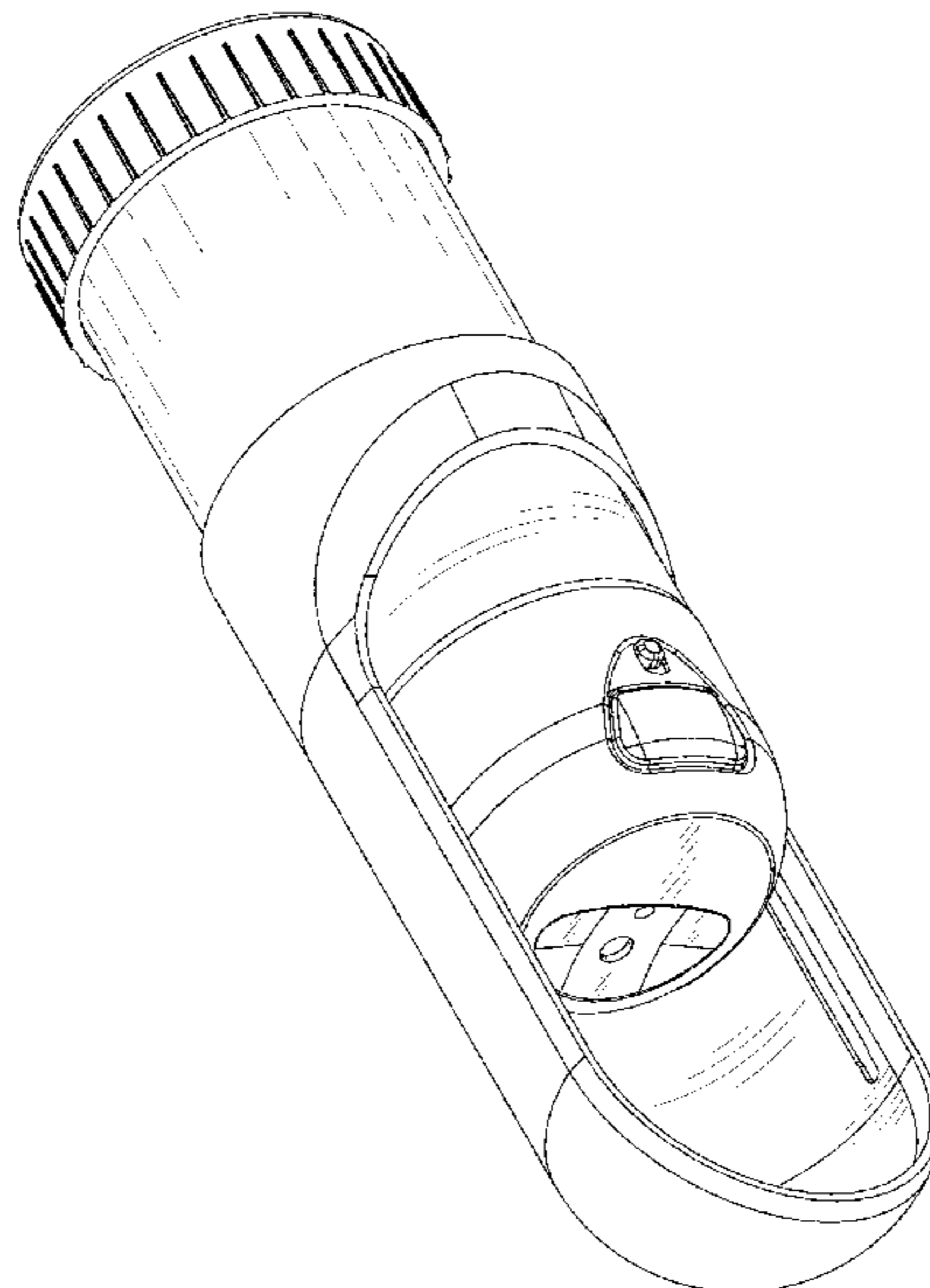
DESCRIPTION

FIG. 1 is a front perspective view of a retractable water bottle showing my new design;
 FIG. 2 is a rear perspective view thereof;
 FIG. 3 is a front elevational view thereof;
 FIG. 4 is a rear elevational view thereof;
 FIG. 5 is a left side elevational view thereof;
 FIG. 6 is a right side elevational view thereof;
 FIG. 7 is a top plan view thereof; and,
 FIG. 8 is a bottom plan view thereof.

1 Claim, 7 Drawing Sheets

(56) **References Cited**
U.S. PATENT DOCUMENTS

D322,868 S *	12/1991	Johnson	D30/132
5,960,742 A *	10/1999	O' Rourke	A01K 7/00 119/74
D658,064 S *	4/2012	Barnes	D9/532
D670,134 S *	11/2012	Di Lollo	D7/300.1
D675,481 S *	2/2013	Enghard	D7/510
D705,501 S *	5/2014	Li	D30/121
D711,740 S *	8/2014	Lien	D30/132
D712,254 S *	9/2014	Geis	D9/436



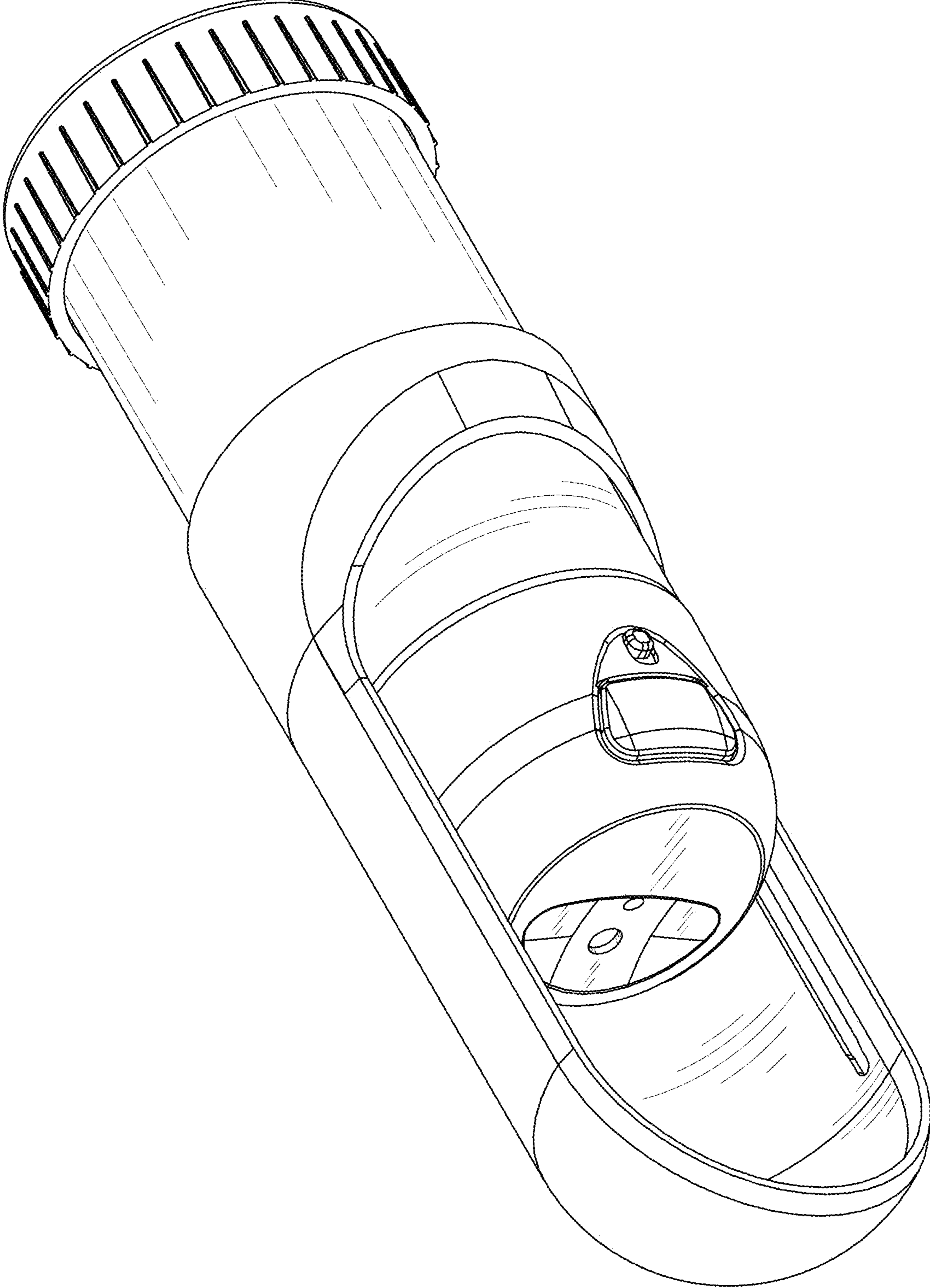


FIG. 1

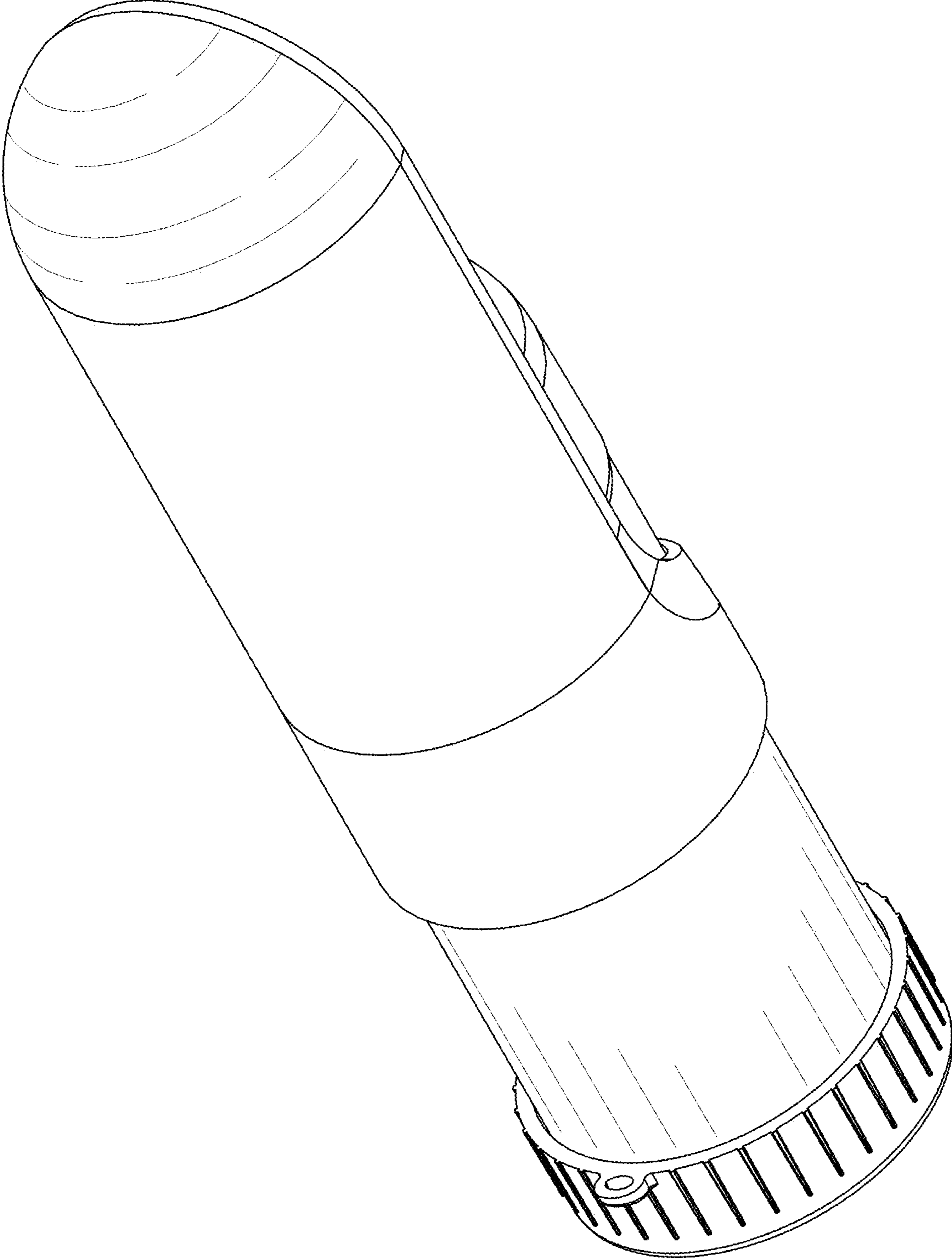


FIG.2

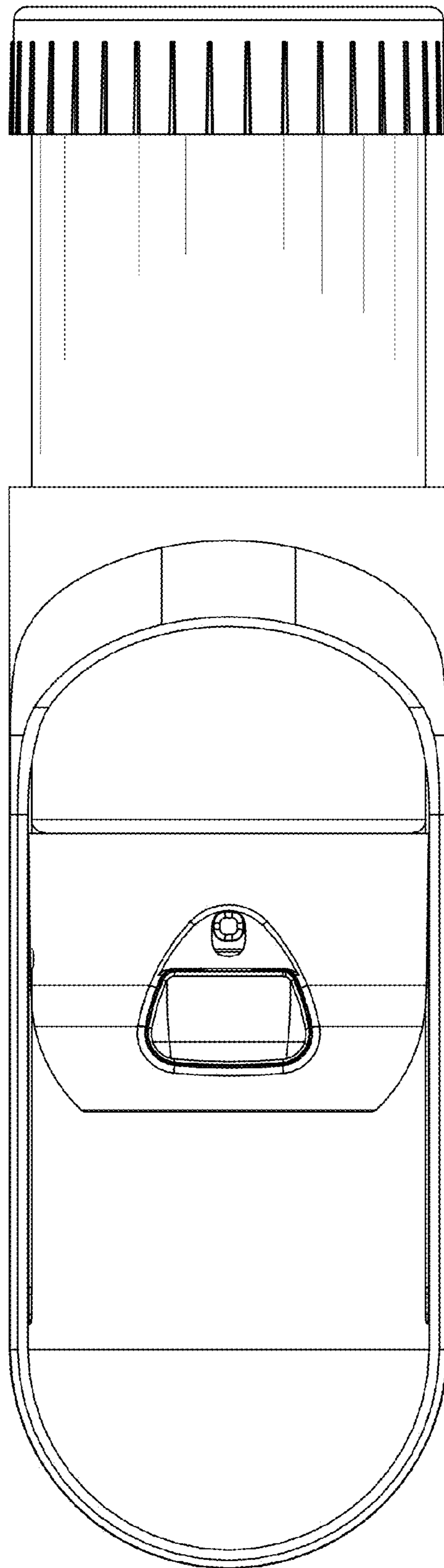


FIG.3

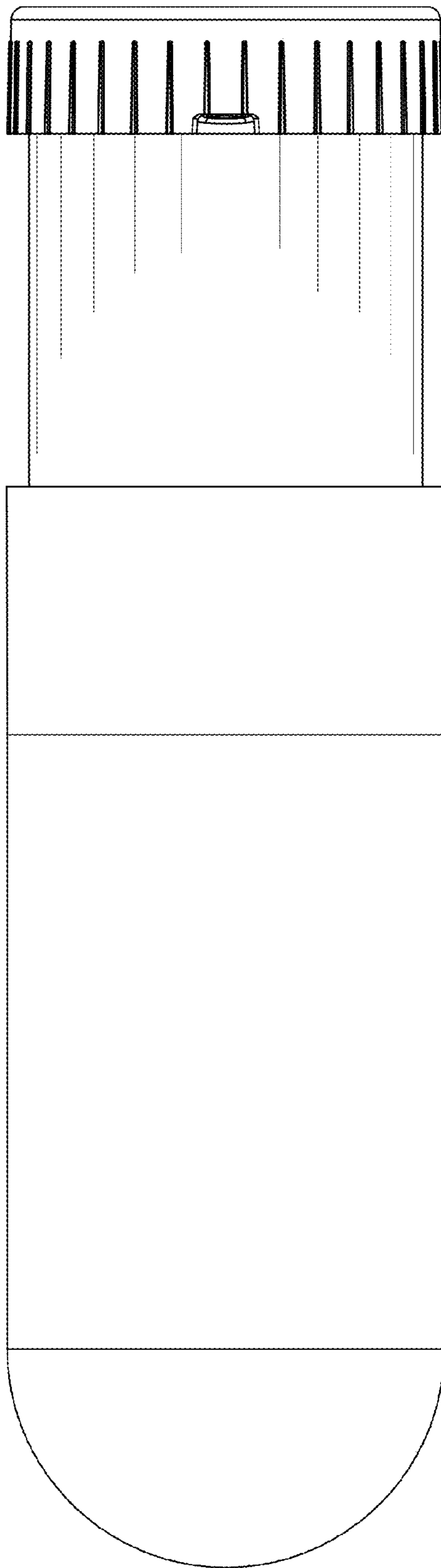


FIG.4

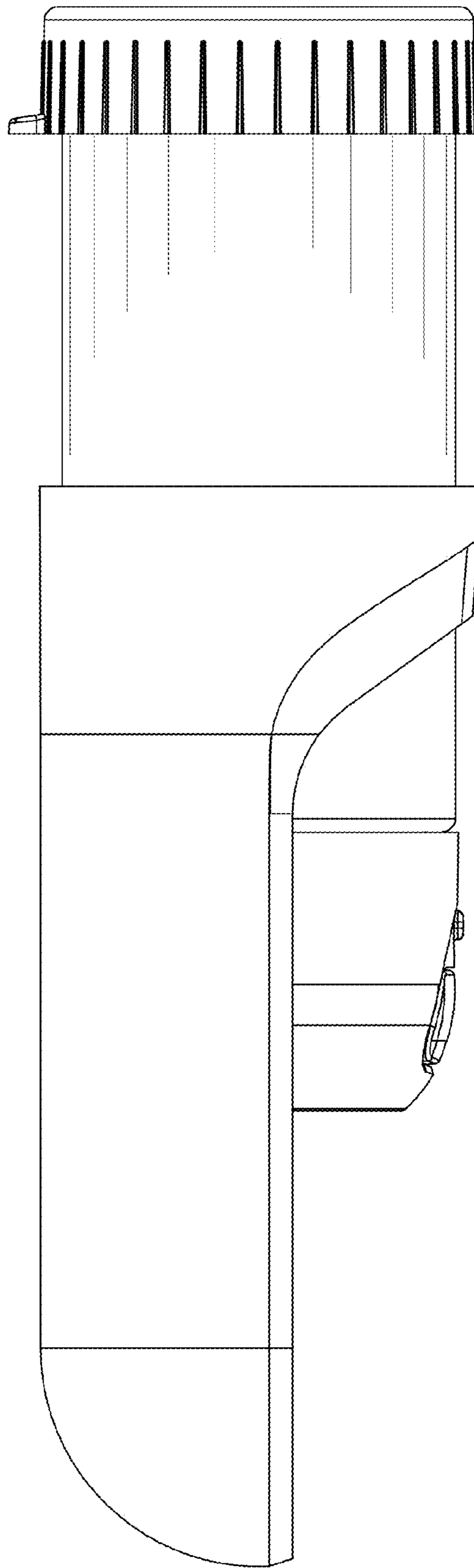


FIG.5

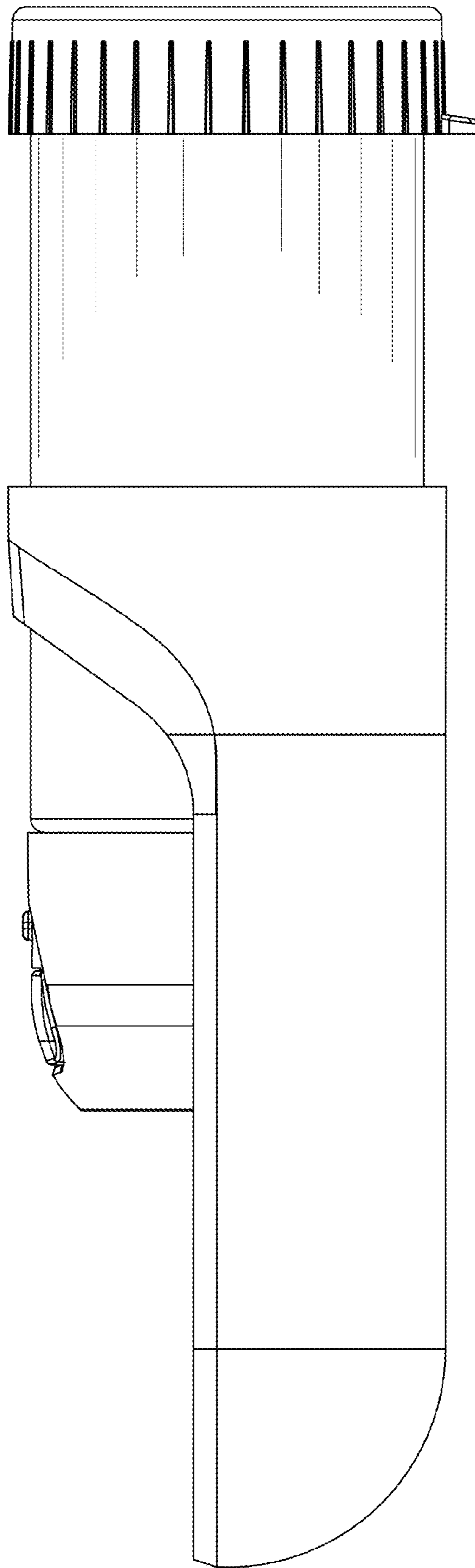


FIG.6

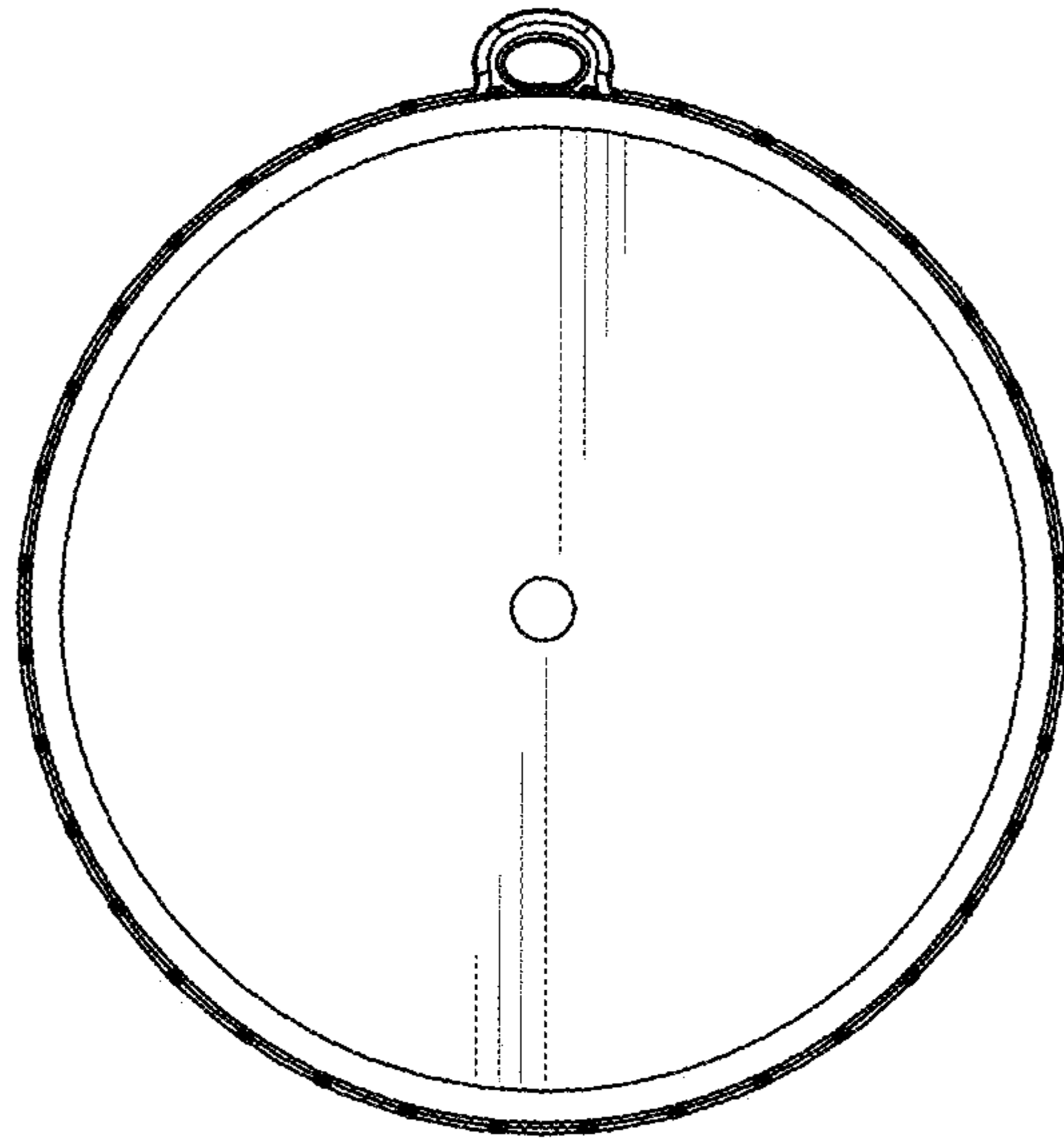


FIG. 7

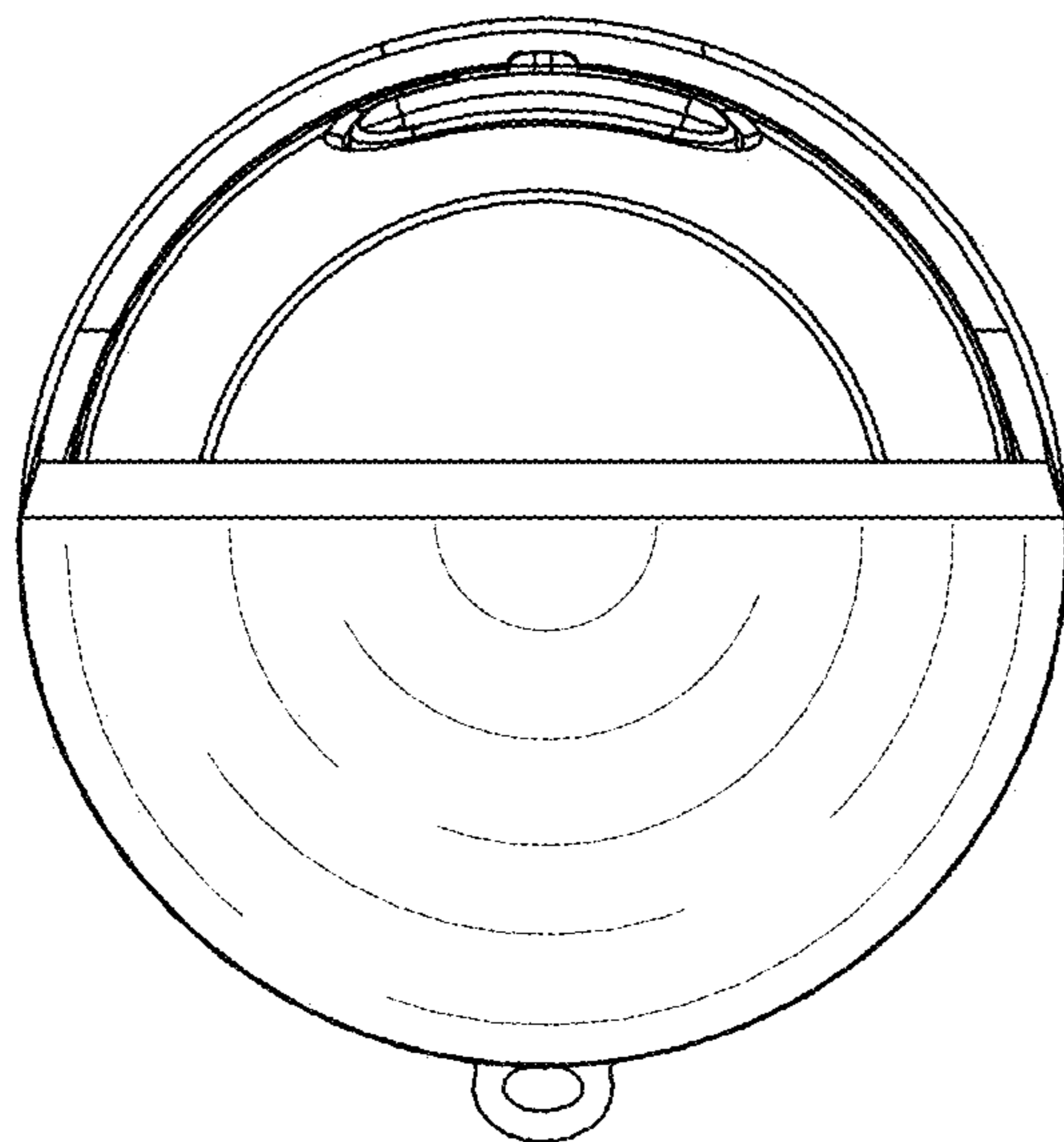


FIG. 8