



US00D871838S

(12) **United States Design Patent**
Leggington

(10) **Patent No.:** **US D871,838 S**
(45) **Date of Patent:** **** Jan. 7, 2020**

- (54) **SINGLE OR DUAL TACO FRYER**
- (71) Applicant: **Michael Raybon Leggington**, San Bernardino, CA (US)
- (72) Inventor: **Michael Raybon Leggington**, San Bernardino, CA (US)
- (**) Term: **15 Years**
- (21) Appl. No.: **29/705,901**
- (22) Filed: **Sep. 16, 2019**
- (51) **LOC (12) Cl.** **07-02**
- (52) **U.S. Cl.**
USPC **D7/409; D7/354**
- (58) **Field of Classification Search**
USPC D7/323, 332, 335-337, 354-355, D7/359-364, 387-388, 402, 407-409, 687
CPC A21B 2/00; A21B 3/00; A21B 3/13; A21B 3/15; A21B 5/00; A21B 5/02; A23N 12/06; A23N 12/08; A23N 12/10; A47J 37/00; A47J 37/04; A47J 37/041; A47J 37/042; A47J 37/06; A47J 37/0688; A47J 37/0694; A47J 37/07; A47J 37/0704; A47J 37/10; A47J 37/1295; A47J 43/18; A47J 43/283; A47J 47/20; A47J 2037/00; A47J 2037/06; A47J 2037/0611; A47J 2037/07; A47J 2037/0786; A47J 2037/0795; E02D 5/803; F24C 15/10; F24C 15/12; F24C 15/14; F24C 15/16; F24C 15/164; F24C 15/18
See application file for complete search history.

(56) **References Cited**

U.S. PATENT DOCUMENTS

- 2,635,528 A * 4/1953 Torres A47J 37/1295
99/413
- 2,664,812 A * 1/1954 Gilberto A47J 37/1295
249/120
- 2,814,981 A 12/1957 Wendel

- 2,891,814 A * 6/1959 Idoine A47J 43/283
294/99.2
- 2,957,404 A * 10/1960 Richardson A47J 37/1295
99/426
- 3,020,826 A * 2/1962 Silva A47J 37/1295
99/426
- 3,511,172 A * 5/1970 Jones A47J 43/18
249/120
- 3,537,389 A * 11/1970 Villarreal A47J 37/1295
99/427
- 3,693,537 A * 9/1972 Johnson A47J 43/18
99/426

(Continued)

Primary Examiner — Ricky Pham

(74) *Attorney, Agent, or Firm* — Kirk A. Buhler; Buhler & Associates Patenting

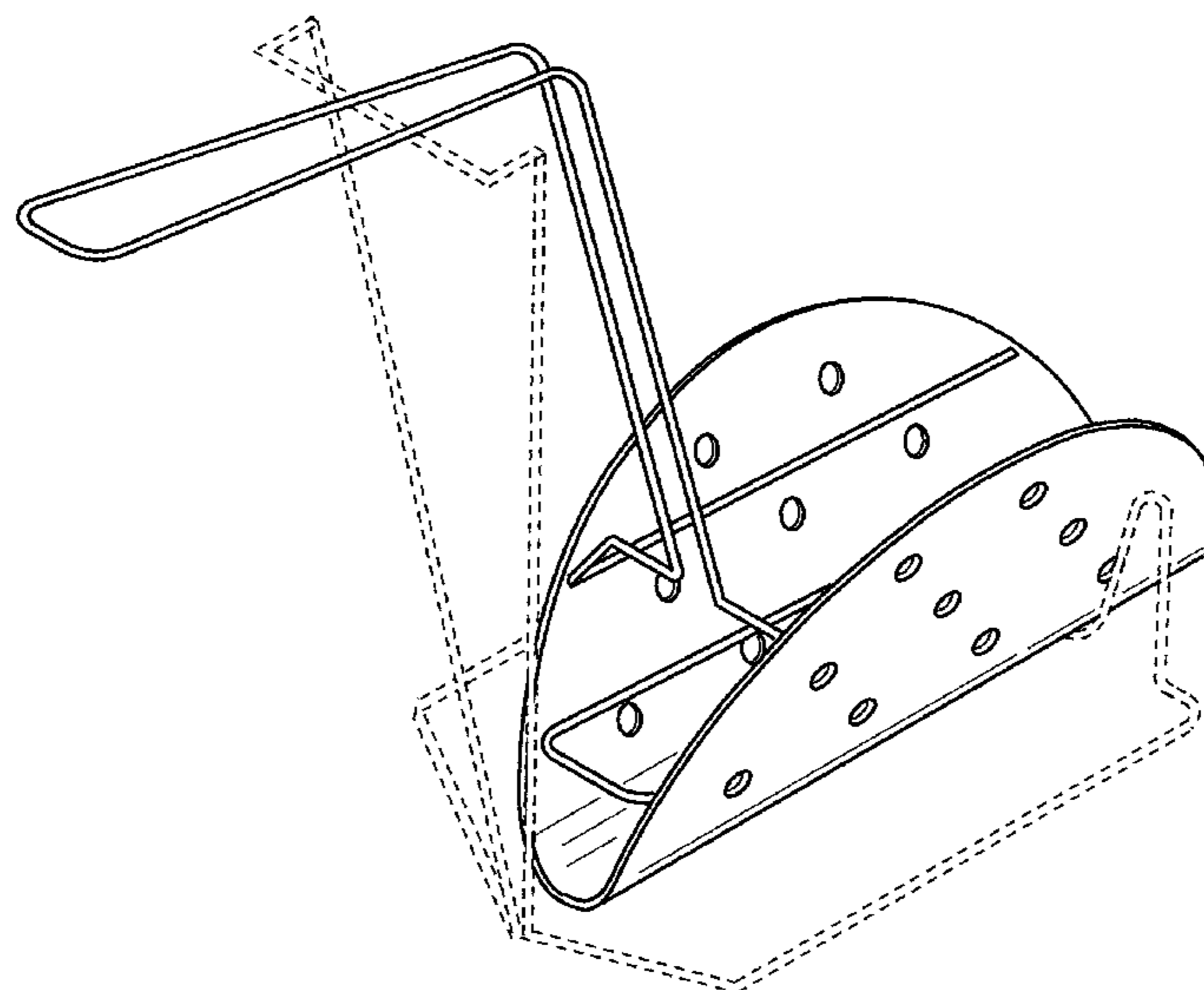
(57) **CLAIM**

The ornamental design for a single or dual taco fryer, as shown and described.

DESCRIPTION

FIG. 1 is a top front perspective view of a single or dual taco fryer, showing my new design in its environment;
 FIG. 2 is a front elevation view thereof;
 FIG. 3 is a rear elevation view thereof;
 FIG. 4 is a left side elevation view, the right side elevation view being a mirror image thereof, and
 FIG. 5 is a top plan view thereof;
 FIG. 6 is a bottom view thereof;
 FIG. 7 is a top rear perspective view showing my new design in its environment on a stand;
 FIG. 8 is a top front perspective view shown in an environment of use with one taco; and,
 FIG. 9 is a top front perspective view shown in an environment of use with two tacos.
 The ornamental design which is claimed is shown in solid lines in the drawings. The broken lines in FIGS. 7, 8 and 9 are for illustrative purposes only and form no part of the claimed design.

1 Claim, 7 Drawing Sheets



(56)

References Cited

U.S. PATENT DOCUMENTS

3,745,911	A *	7/1973	Kennedy, Jr.	A47J 43/18 99/426
3,817,163	A	6/1974	Kizziar et al.	
D249,219	S	9/1978	Stence	
4,154,155	A	5/1979	Brignall	
4,517,887	A	5/1985	Childress	
5,937,743	A	8/1999	Overstreet	
D503,593	S	4/2005	Walker	
D607,287	S *	1/2010	Beasley	D7/674
7,866,257	B2	1/2011	Vasquez	
2007/0094951	A1 *	5/2007	Busto	E02D 5/803 52/155
2008/0028950	A1 *	2/2008	Vasquez	A47J 37/1295 99/426

* cited by examiner

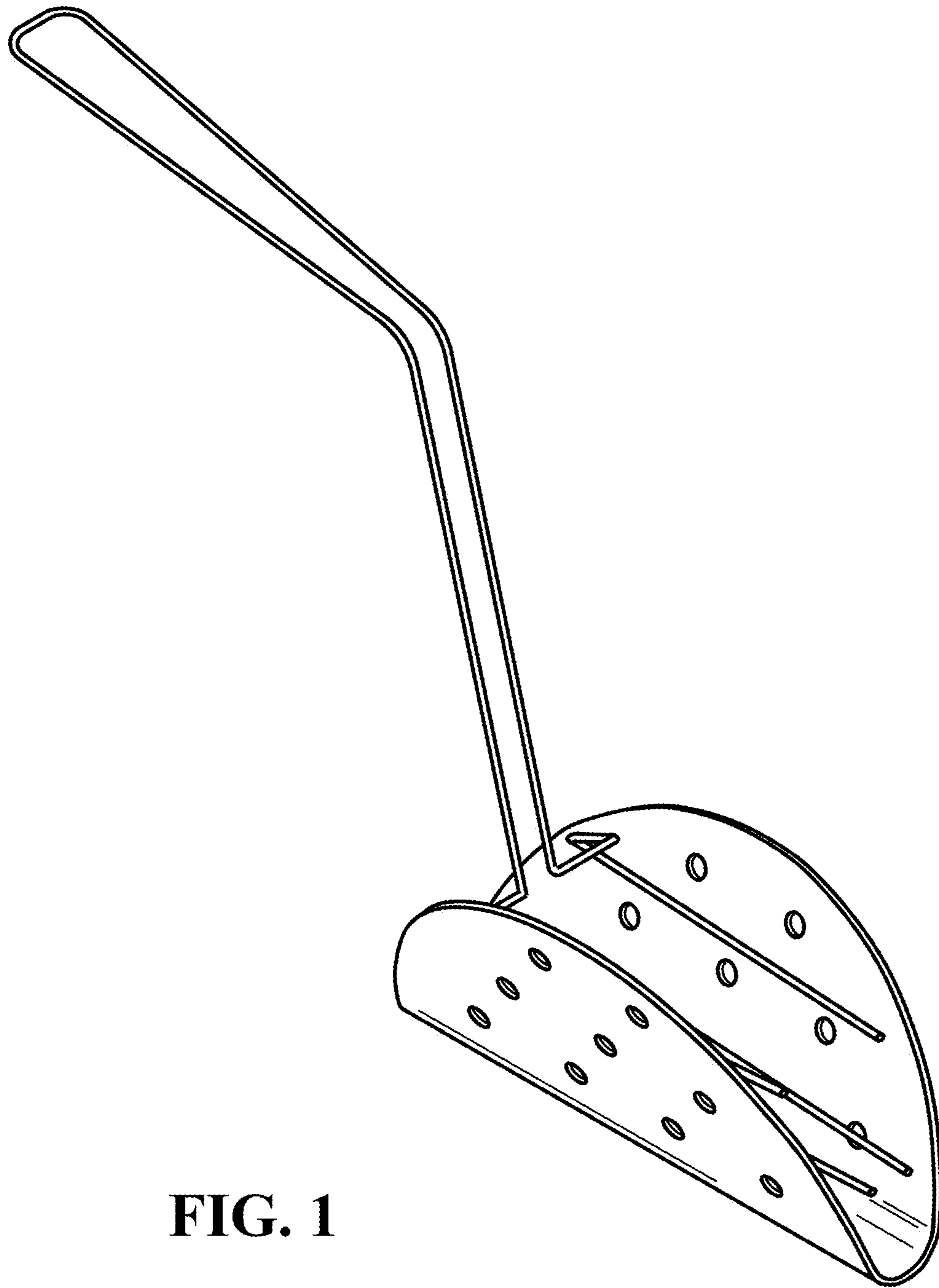


FIG. 1

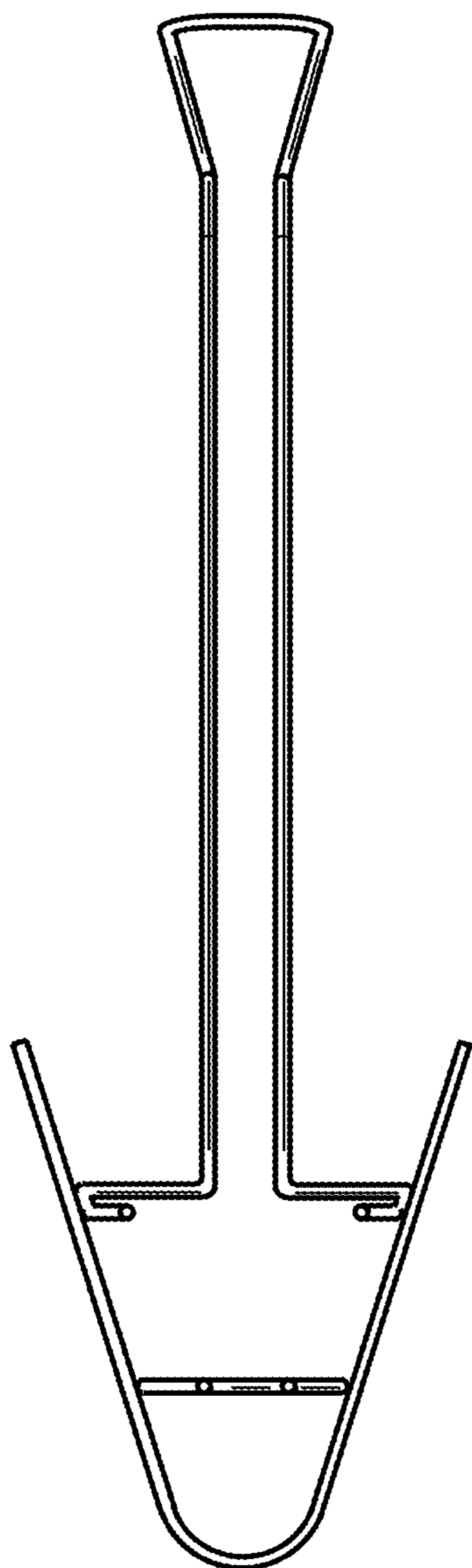


FIG. 2

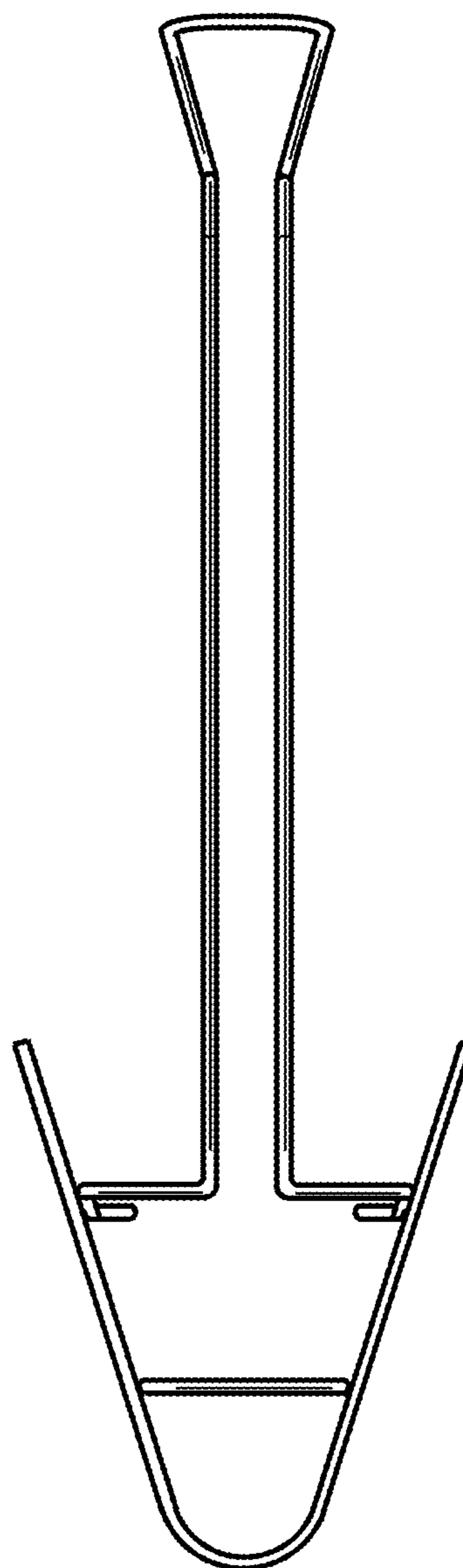


FIG. 3

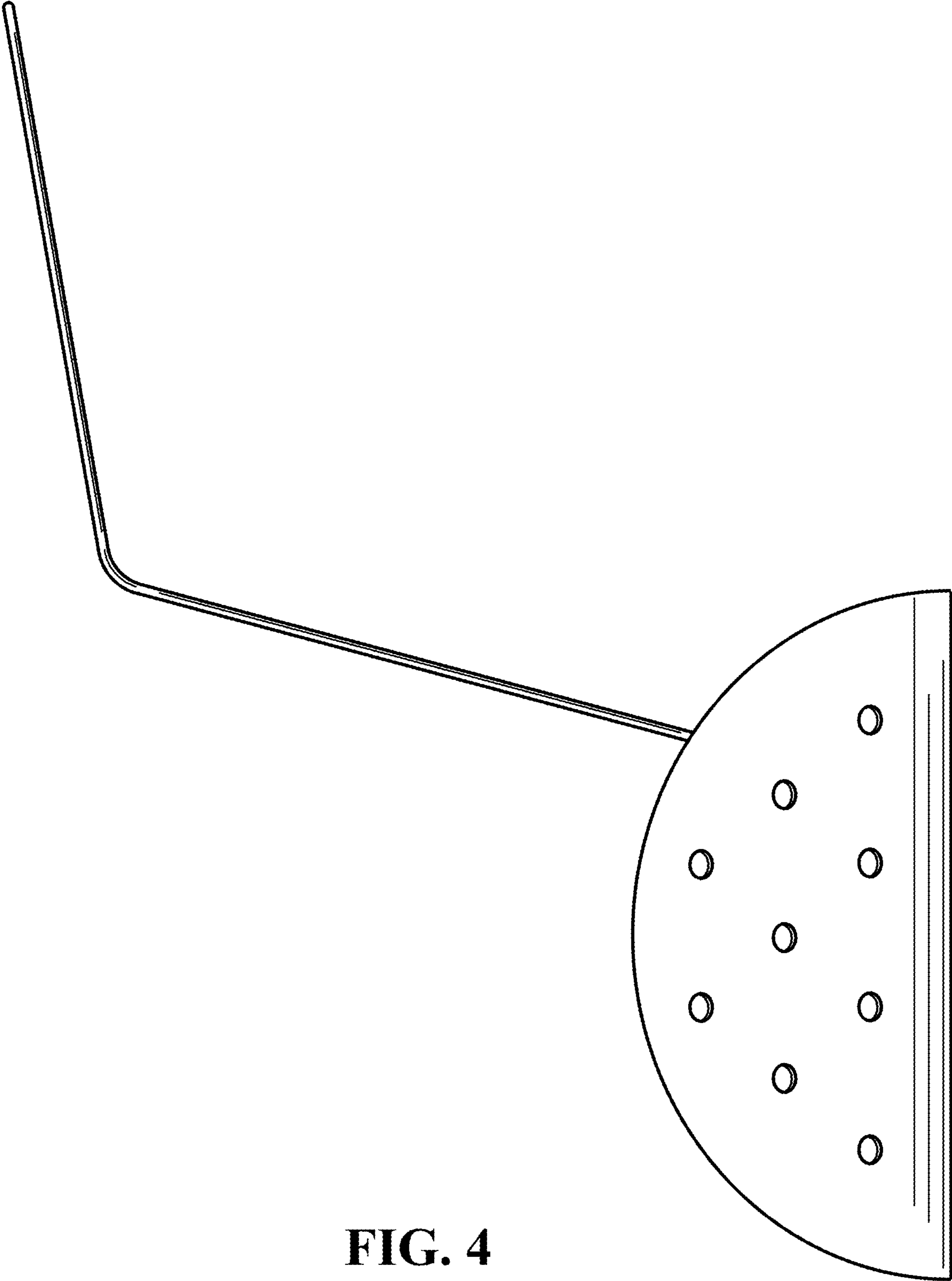


FIG. 4

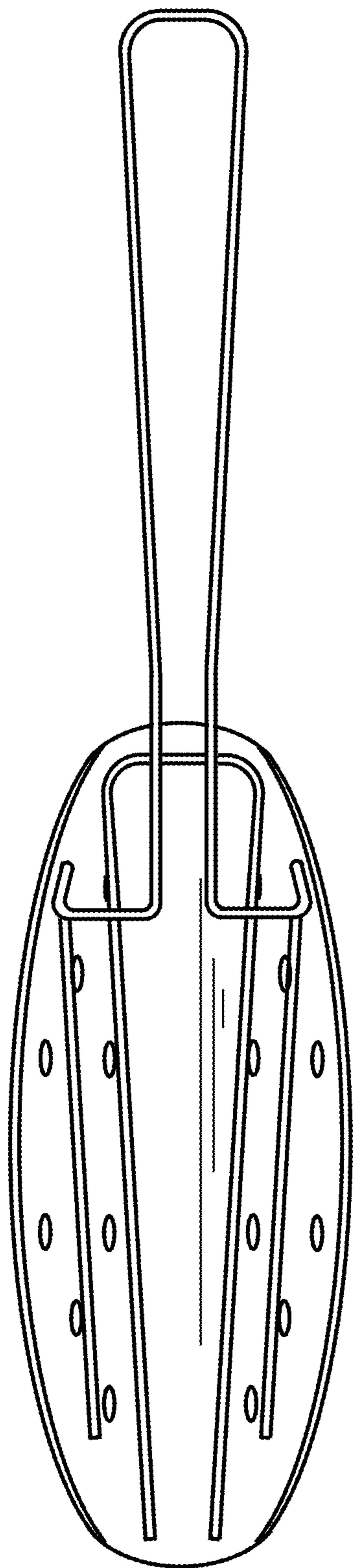


FIG. 5

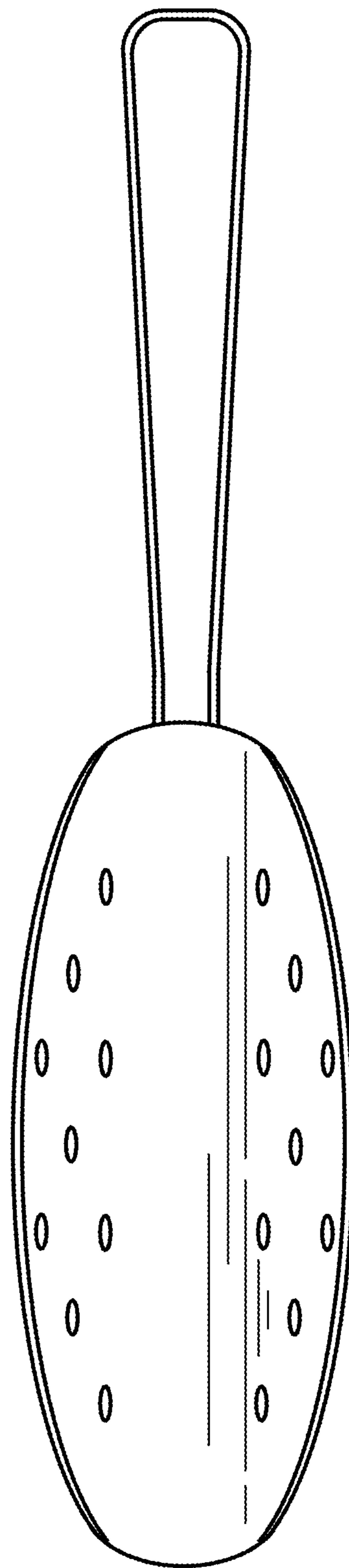


FIG. 6

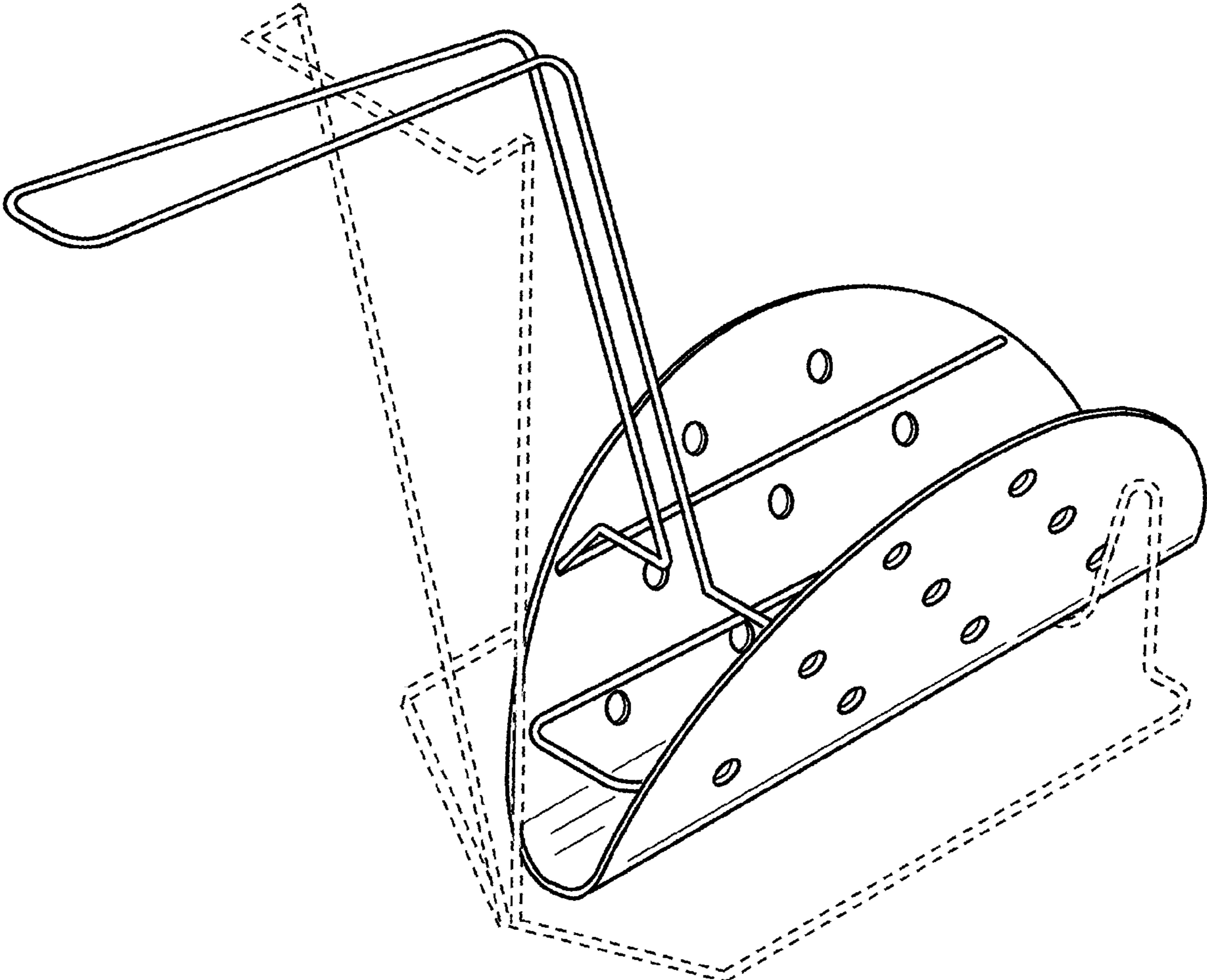


FIG. 7

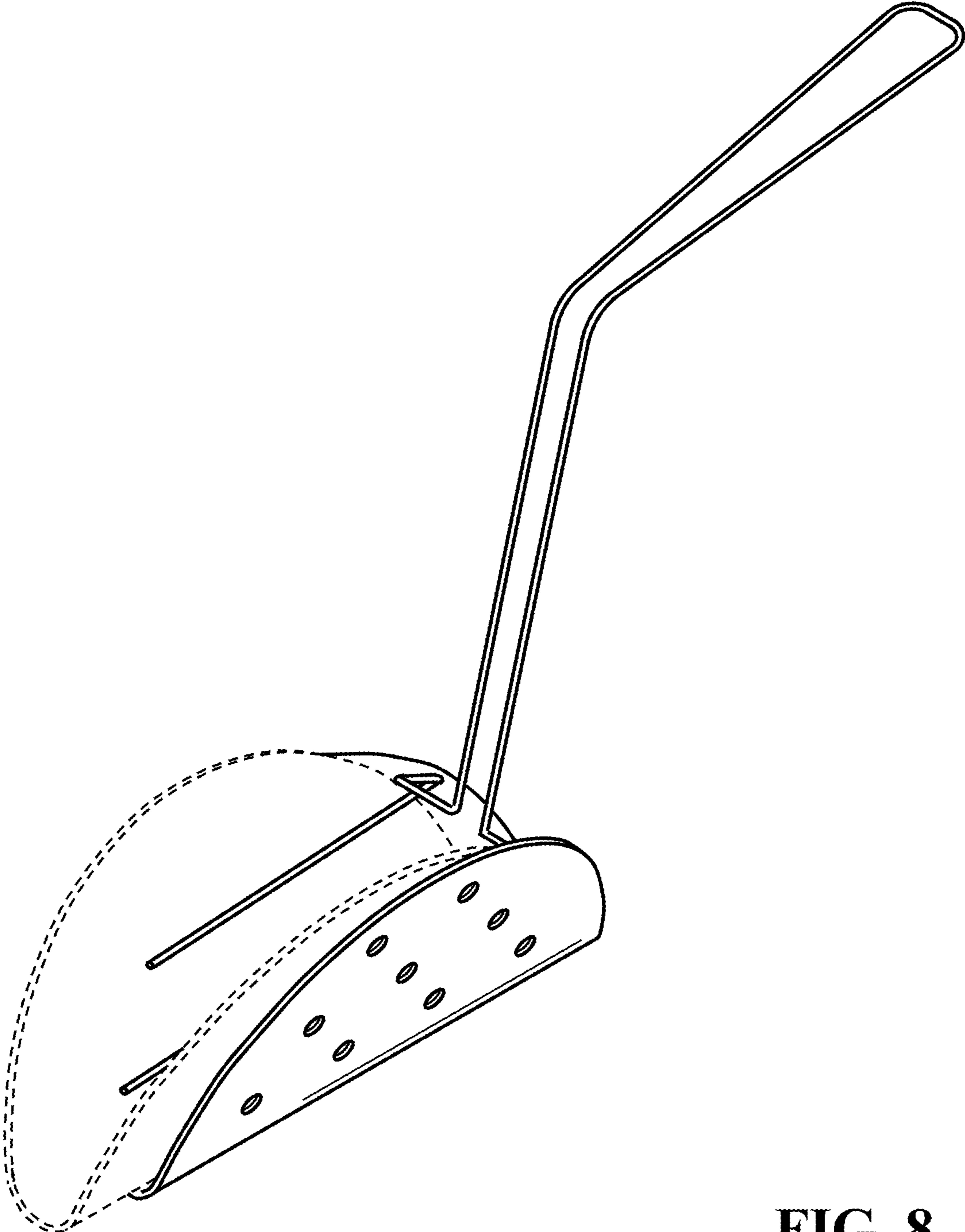


FIG. 8

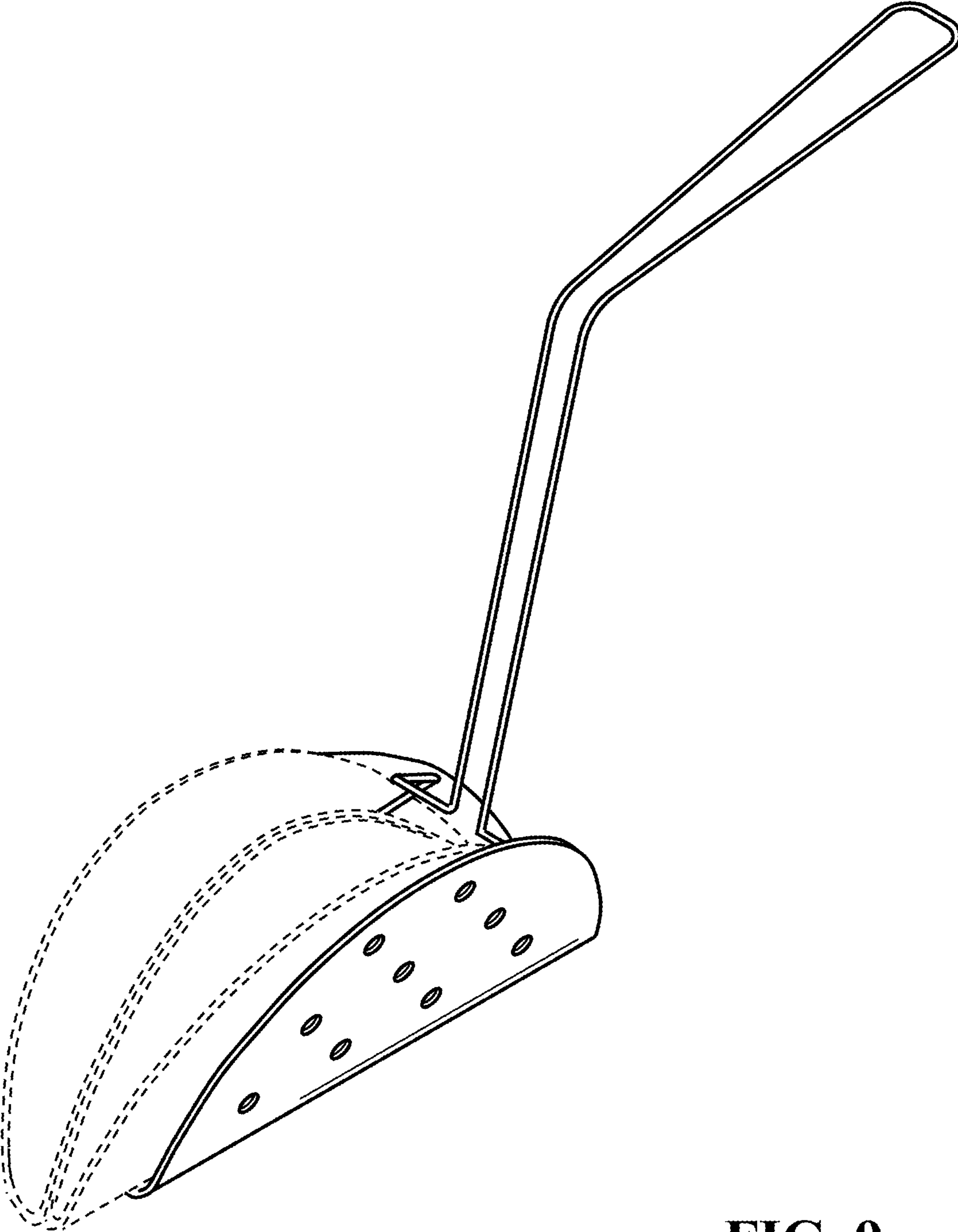


FIG. 9