



US00D871837S

(12) **United States Design Patent** (10) **Patent No.:** **US D871,837 S**
Wood et al. (45) **Date of Patent:** **** *Jan. 7, 2020**

- (54) **BEVERAGE CARTRIDGE**
- (71) Applicant: **Bedford Systems, LLC**, Bedford, MA (US)
- (72) Inventors: **Barry Wood**, Norwood, MA (US); **Michael Sack**, North Reading, MA (US); **Enrico Cafaro**, Beverly, MA (US)
- (73) Assignee: **BEDFORD SYSTEMS LLC**, Bedford, MA (US)
- (*) Notice: This patent is subject to a terminal disclaimer.
- (**) Term: **15 Years**
- (21) Appl. No.: **29/641,558**
- (22) Filed: **Mar. 22, 2018**
- (51) **LOC (12) Cl.** **07-99**
- (52) **U.S. Cl.**
USPC **D7/400; D9/428**
- (58) **Field of Classification Search**
USPC **D7/400, 399, 397; D9/428, 429, 772**
CPC **B65D 85/8043**
See application file for complete search history.

D708,475 S *	7/2014	Bolzicco	D7/397
8,771,768 B2 *	7/2014	York	B65D 85/8043
				426/80
D727,141 S *	4/2015	Mastropasqua	D9/416
D744,861 S *	12/2015	Fortner	D9/772
D746,676 S *	1/2016	Raphaelson	D9/428
9,445,688 B2 *	9/2016	Flick	A47J 31/4492
D791,534 S *	7/2017	Bueno	D7/400
9,968,216 B2 *	5/2018	Smith	A47J 31/407
2007/0175335 A1 *	8/2007	Liverani	A47J 31/3695
				99/279
2015/0037470 A1 *	2/2015	Zweed	A47J 31/0673
				426/115
2017/0217669 A1 *	8/2017	Mastropasqua	B65D 85/8043

* cited by examiner

Primary Examiner — Marianne N Pandozzi
(74) *Attorney, Agent, or Firm* — Dorsey & Whitney LLP

(57) **CLAIM**

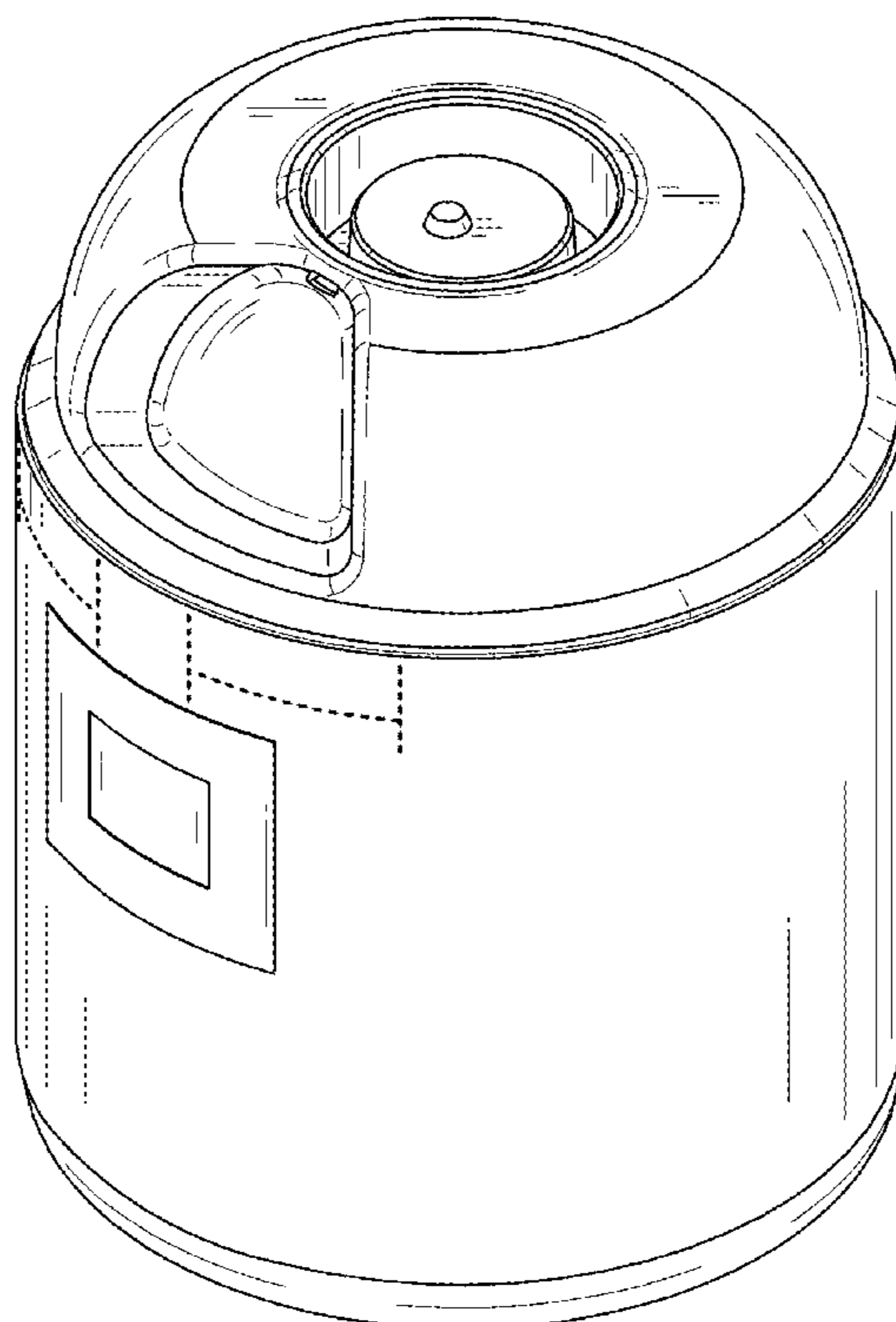
We claim the ornamental design for a beverage cartridge, as shown and described.

DESCRIPTION

FIG. 1 is a perspective view of a beverage cartridge showing our new design;
FIG. 2 is a front view thereof;
FIG. 3 is a rear view thereof;
FIG. 4 is a right side view thereof;
FIG. 5 is a left side view thereof;
FIG. 6 is a top plan view thereof; and,
FIG. 7 is a bottom plan view thereof.
The broken lines in the drawings depict portions of the beverage cartridge that form no part of the claimed design.

1 Claim, 7 Drawing Sheets

- (56) **References Cited**
U.S. PATENT DOCUMENTS
D383,264 S * 9/1997 Balz D32/29.1
D567,021 S * 4/2008 Bach D7/387
D655,978 S * 3/2012 Bolzicco D7/397



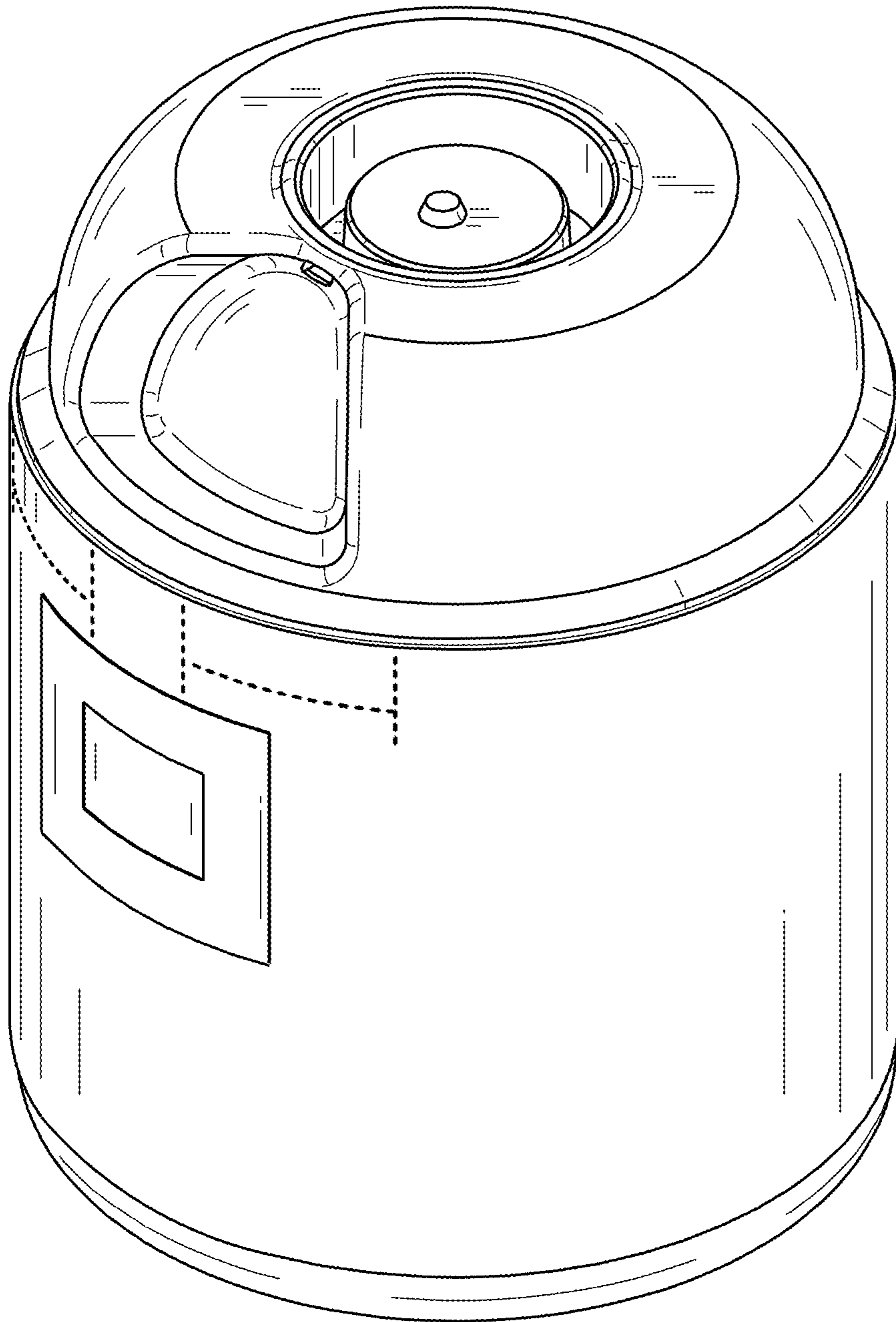


FIG. 1

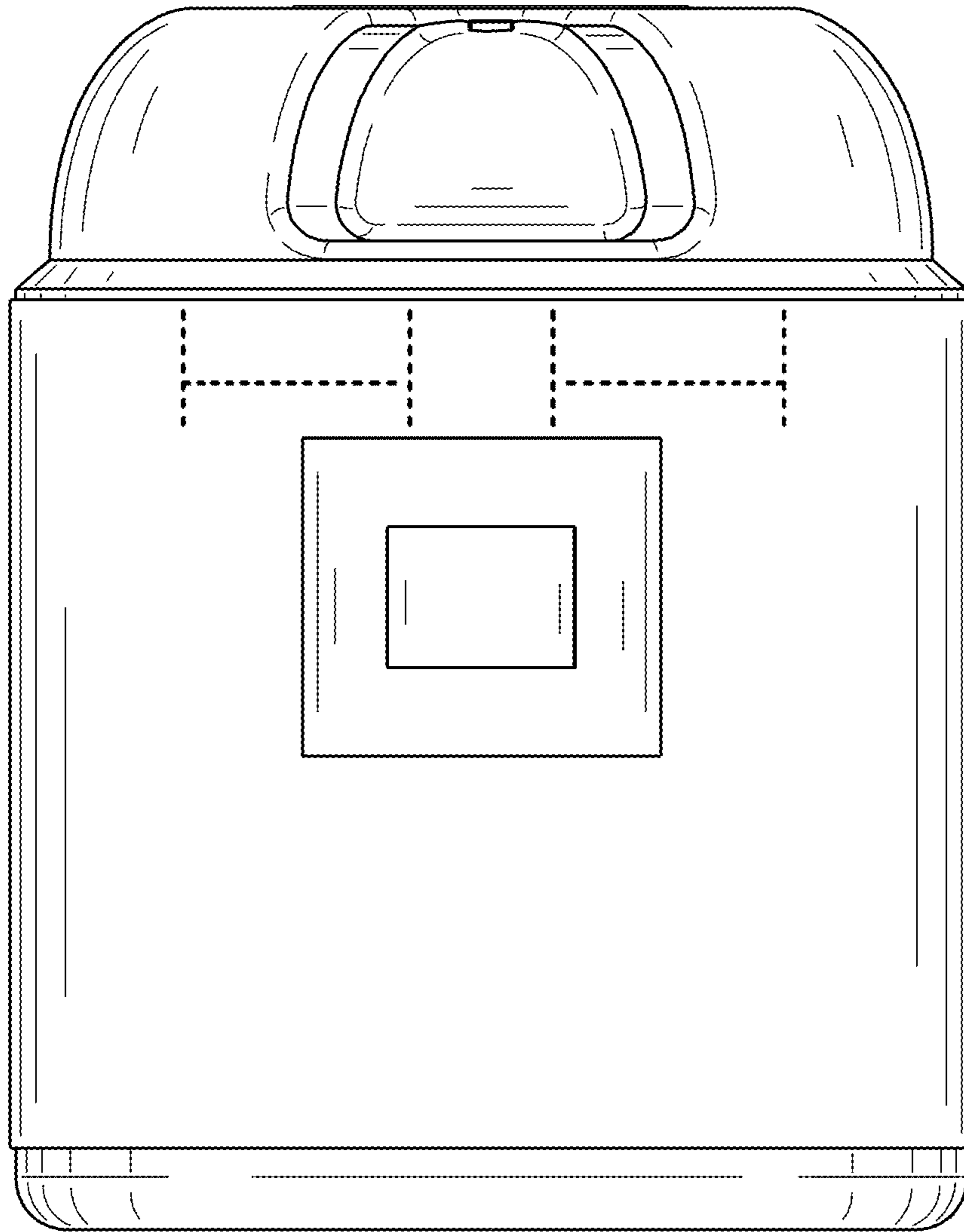


FIG. 2

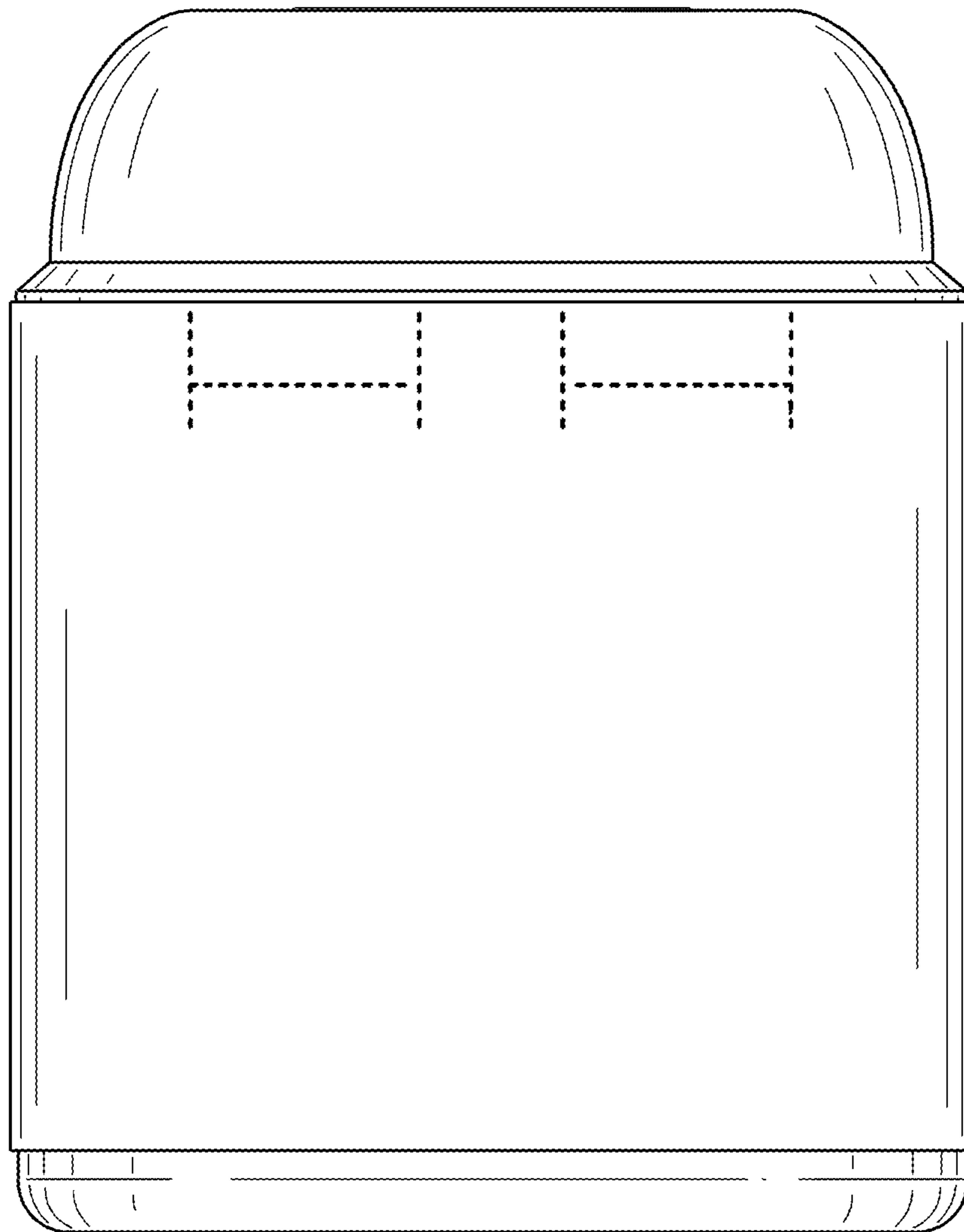


FIG. 3

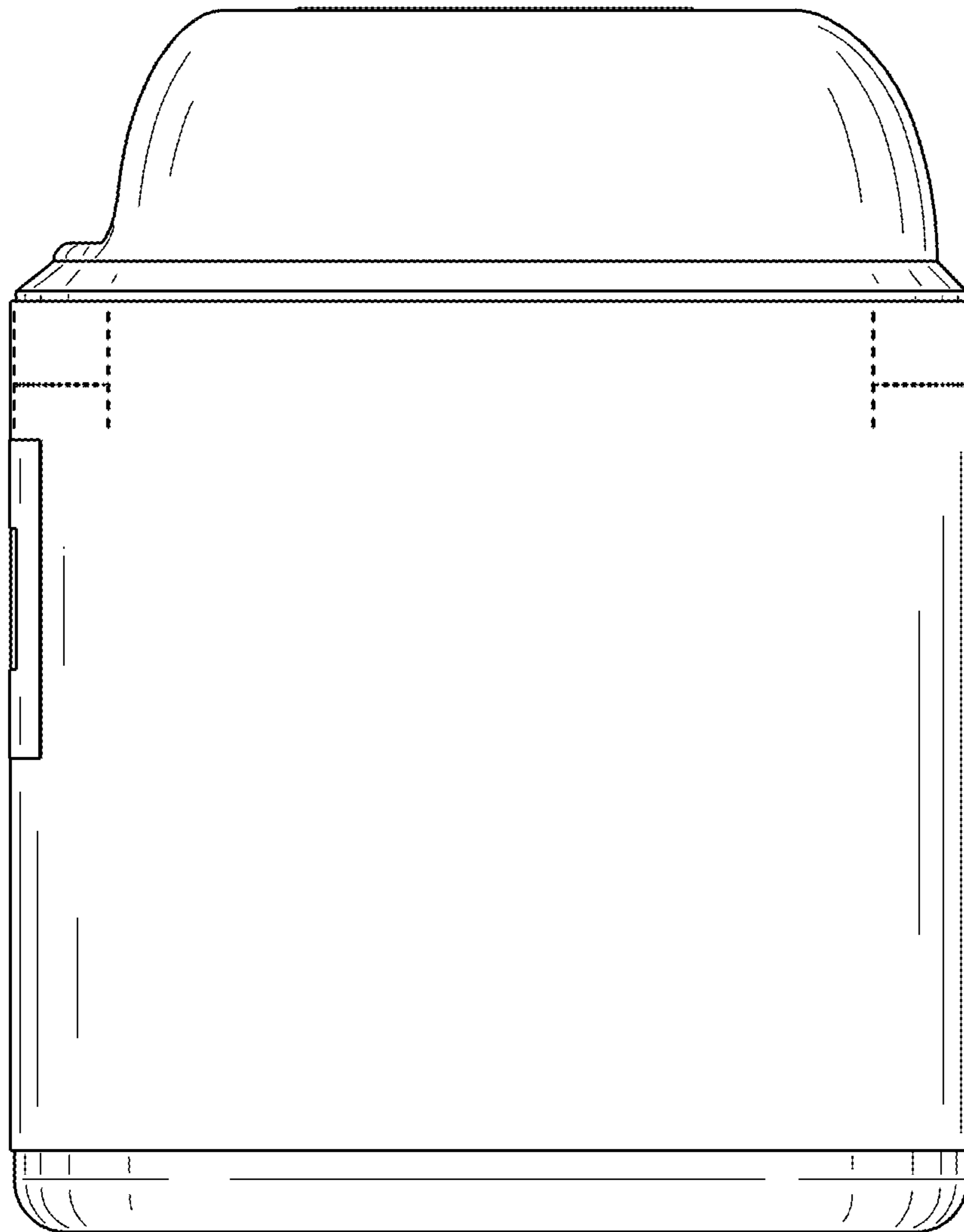


FIG. 4

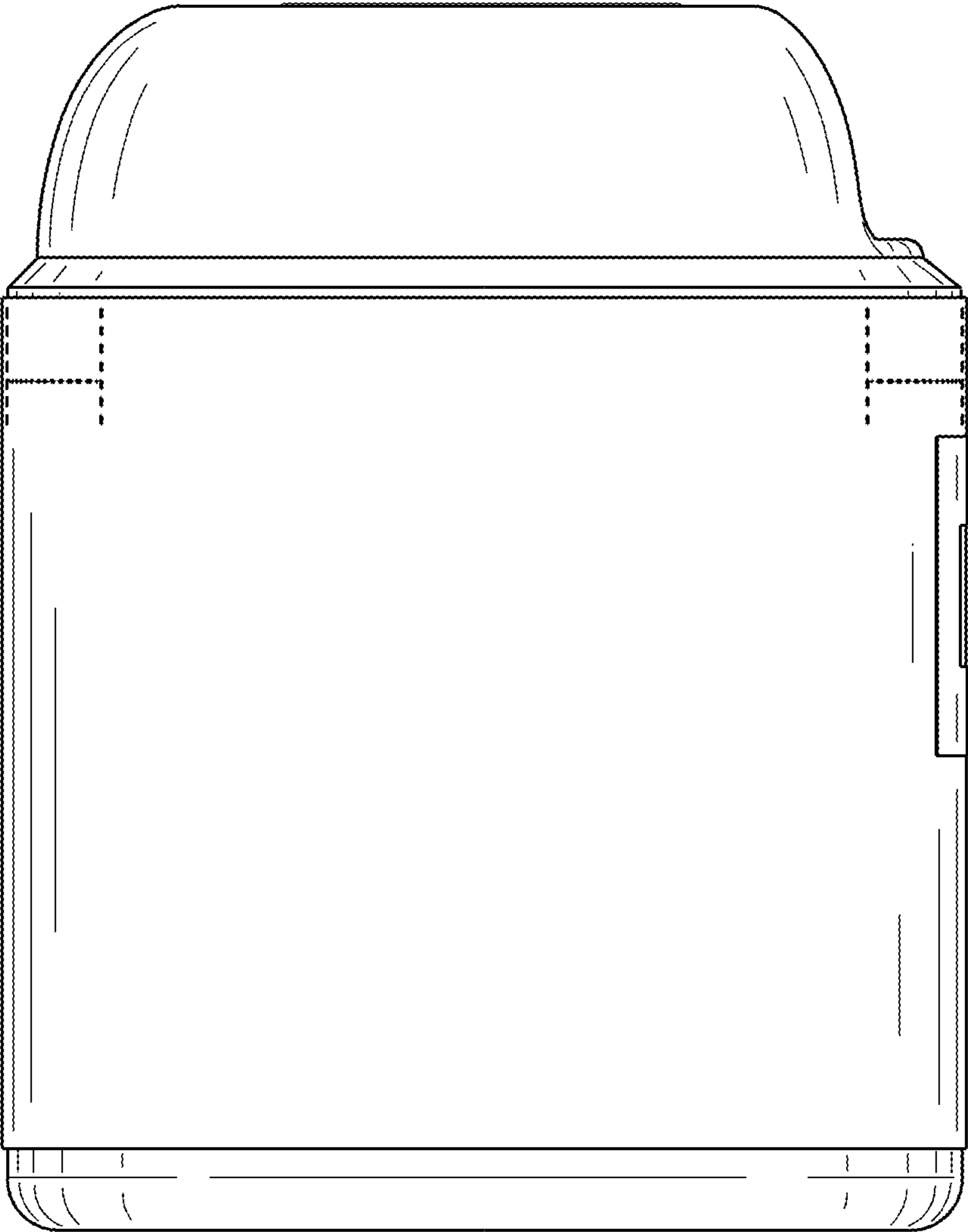


FIG. 5

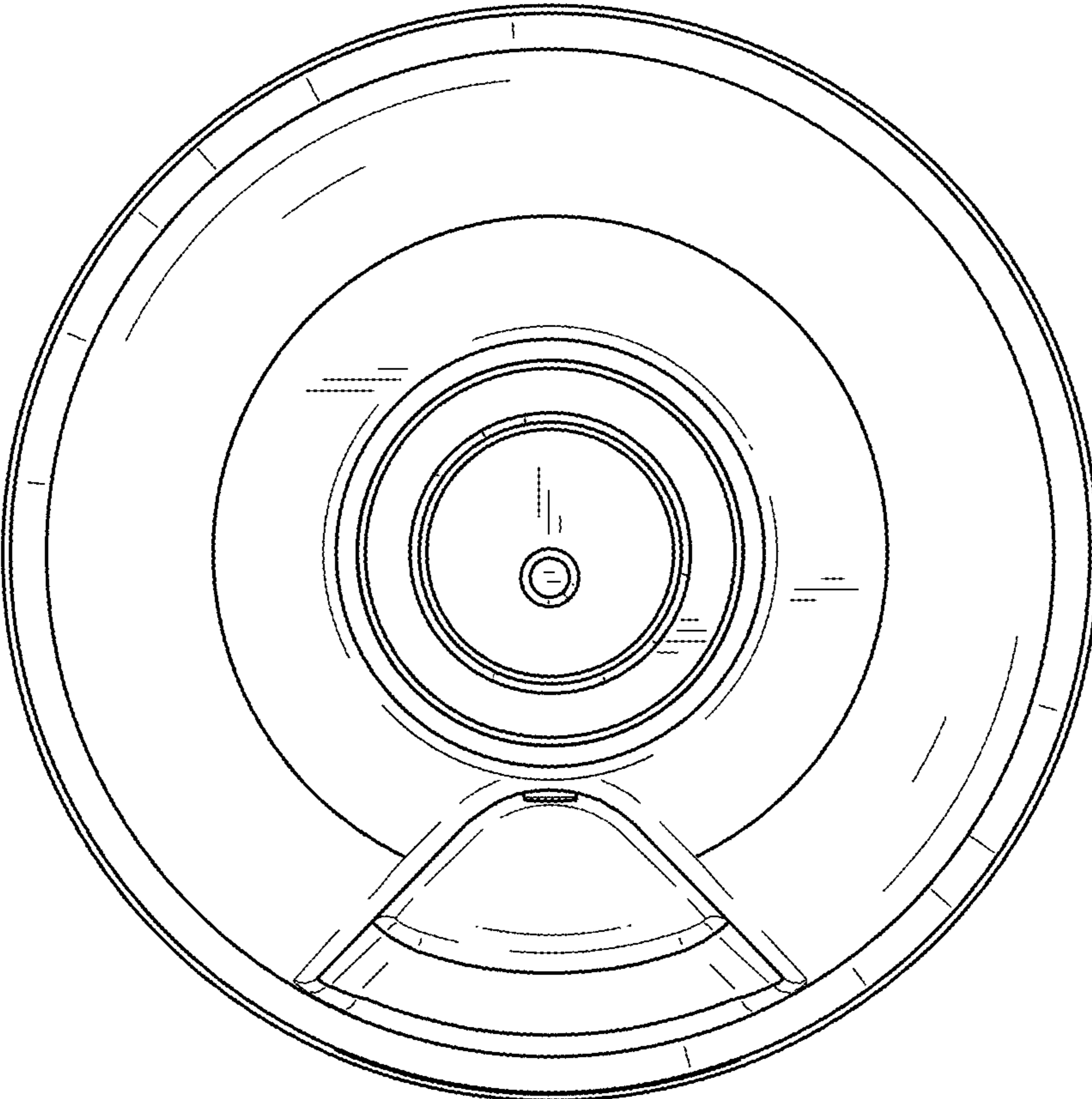


FIG. 6

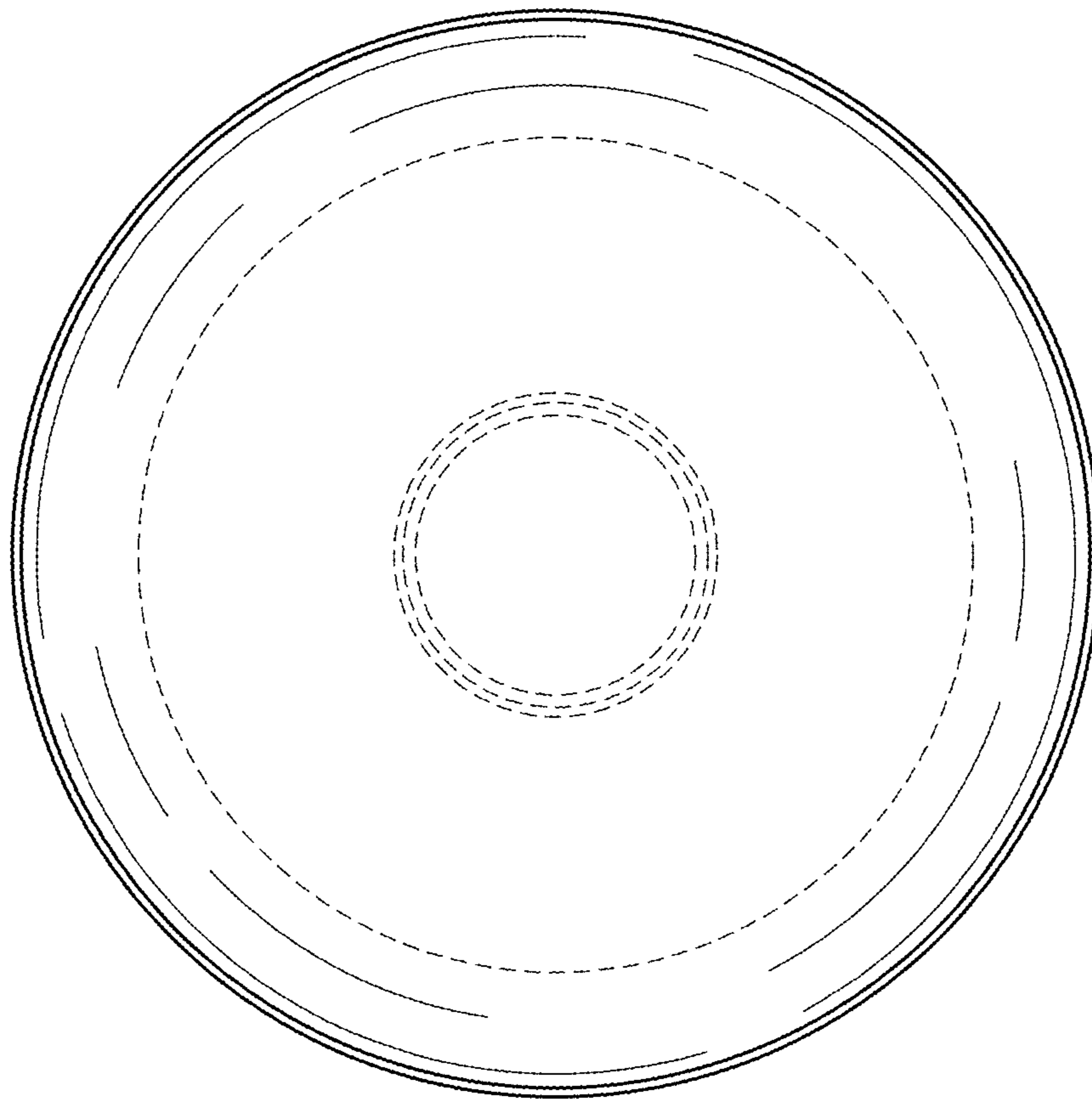


FIG. 7