



US00D871835S

(12) **United States Design Patent**  
**Byrd**

(10) **Patent No.:** **US D871,835 S**  
(45) **Date of Patent:** **\*\* Jan. 7, 2020**

(54) **LID**

(71) Applicant: **Mark Byrd**, Mobile, AL (US)

(72) Inventor: **Mark Byrd**, Mobile, AL (US)

(\*\*) Term: **15 Years**

(21) Appl. No.: **29/660,420**

(22) Filed: **Aug. 21, 2018**

(51) **LOC (12) Cl.** ..... **07-99**

(52) **U.S. Cl.**  
USPC ..... **D7/392.1; D9/440**

(58) **Field of Classification Search**  
USPC ..... D9/414, 434-436, 438-440, 443-457,  
D9/499, 503-505, 682, 685, 686;  
D7/387, 391, 392, 392.1, 396.2-396.4,  
D7/401.1, 507, 509-511, 538, 900;  
D3/202, 203.2, 318; D28/91.1  
CPC .. A61J 1/00; A61J 1/1412; B65D 1/00; B65D  
1/02; B65D 1/10; B65D 1/46; B65D  
5/46; B65D 41/00; B65D 41/38; B65D  
41/56; B65D 41/62; B65D 47/00; B65D  
47/06; B65D 47/08; B65D 2251/00;  
B65D 2543/00046; B65D 2543/00092;  
B65D 2543/00296; B65D 2585/56; B65D  
2585/545  
See application file for complete search history.

5,753,117 A \* 5/1998 Jiang ..... B01D 29/15  
210/232

5,857,350 A 1/1999 Johnson et al.

5,953,933 A 9/1999 Cheng

6,192,702 B1 \* 2/2001 Shimogori ..... F24F 1/04  
62/259.3

6,227,004 B1 5/2001 Gerstein

D459,941 S \* 7/2002 Miller ..... C02F 1/003  
D7/392

7,188,489 B2 3/2007 Martello

D591,151 S \* 4/2009 Freeman ..... D9/447

D631,284 S \* 1/2011 Fuller ..... D7/392.1

D658,057 S \* 4/2012 Donat ..... D9/447

D677,119 S \* 3/2013 Ying ..... D7/392.1

D729,371 S \* 5/2015 Davis ..... D23/366

9,151,295 B2 \* 10/2015 Avedon ..... F04D 25/08

D756,705 S \* 5/2016 Abrams ..... D7/510

(Continued)

*Primary Examiner* — Michael A. Pratt  
*Assistant Examiner* — Wendy L Arminio  
(74) *Attorney, Agent, or Firm* — AdamsIP, LLC; J.  
Hunter Adams; Stephen Thompson

(57) **CLAIM**

The ornamental design for a lid, as shown and described.

**DESCRIPTION**

FIG. 1 is a top perspective view of a lid showing the claimed design;  
FIG. 2 is a front view thereof;  
FIG. 3 is a back view thereof;  
FIG. 4 is a left side view thereof;  
FIG. 5 is a right side view thereof;  
FIG. 6 is a top view thereof; and,  
FIG. 7 is a bottom view thereof.  
The dashed broken lines in the figures show portions of the lid that form no part of the claimed design. The dot-dash broken lines in the figures show boundaries that form no part of the claimed design. The shade lines in the figures show contour and not surface ornamentation.

**1 Claim, 5 Drawing Sheets**

(56) **References Cited**  
U.S. PATENT DOCUMENTS

1,922,790 A 8/1933 Alger

3,805,991 A \* 4/1974 Cheladze ..... B65D 43/0208  
D7/396.2

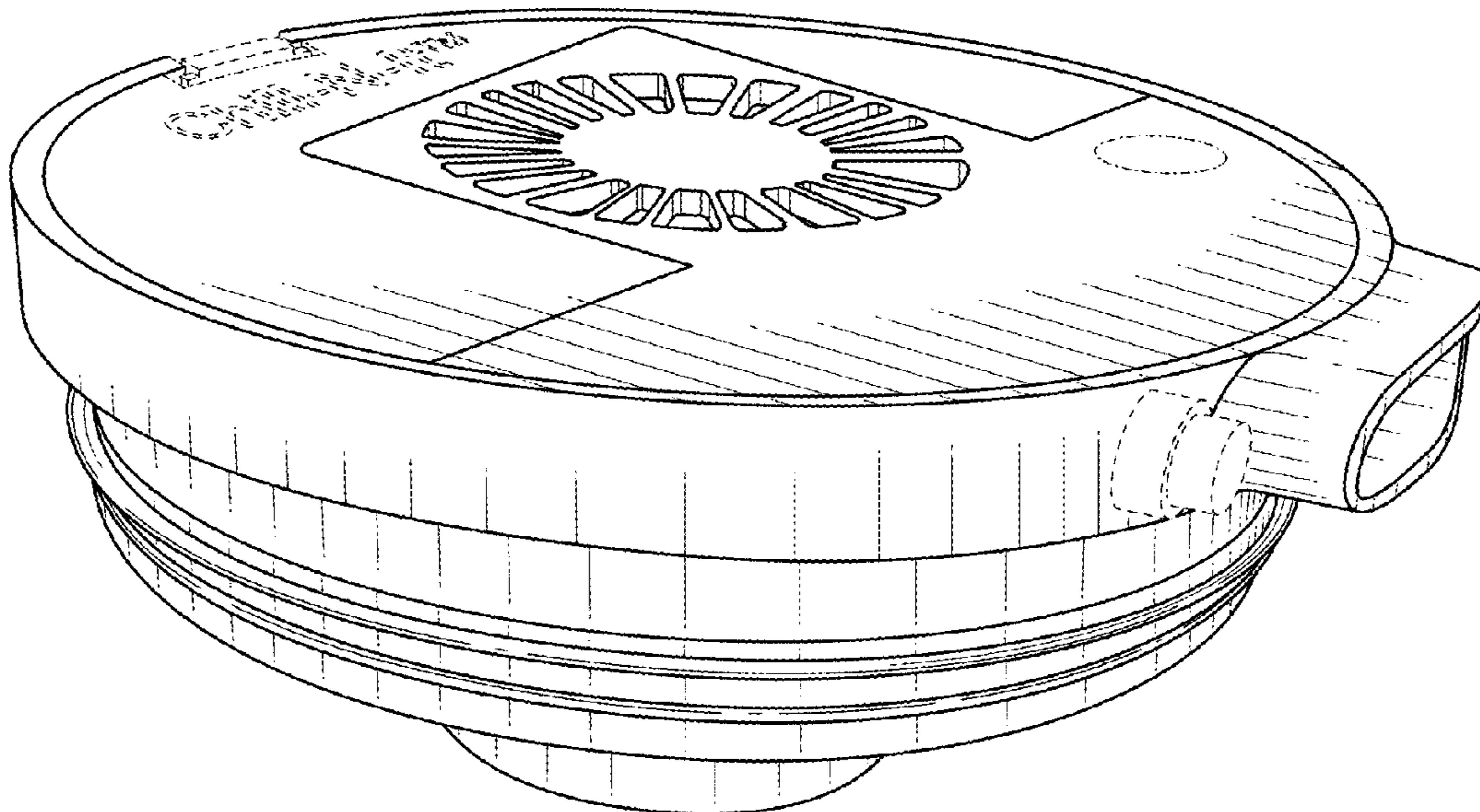
D271,284 S \* 11/1983 Bainton ..... D9/438

D272,323 S \* 1/1984 Bainton ..... D9/438

D275,655 S \* 9/1984 Bainton ..... D9/438

D280,600 S \* 9/1985 Earl ..... D9/454

5,062,281 A 11/1991 Oliphant et al.



(56)

**References Cited**

U.S. PATENT DOCUMENTS

D790,272	S	*	6/2017	Han	.....	D7/396.2
D799,890	S	*	10/2017	McClory	.....	D7/387
D808,722	S	*	1/2018	Hill	.....	D7/510
D825,992	S	*	8/2018	Sadhvani	.....	D7/510
D830,174	S	*	10/2018	Takezawa	.....	D9/450
D842,028	S	*	3/2019	Melanson	.....	D7/392.1
D845,064	S	*	4/2019	Mulhauser	.....	D7/392.1
D850,192	S	*	6/2019	Jacobsen	.....	D7/396.2
D855,461	S	*	8/2019	Wu	.....	D9/440
D856,073	S	*	8/2019	Reed	.....	D7/396.2
D857,443	S	*	8/2019	Hill	.....	D7/392.1
2003/0230109	A1		12/2003	Link		
2005/0150251	A1		7/2005	Navado et al.		
2006/0254306	A1		11/2006	Urfig		
2018/0073769	A1		3/2018	Herweck et al.		

\* cited by examiner

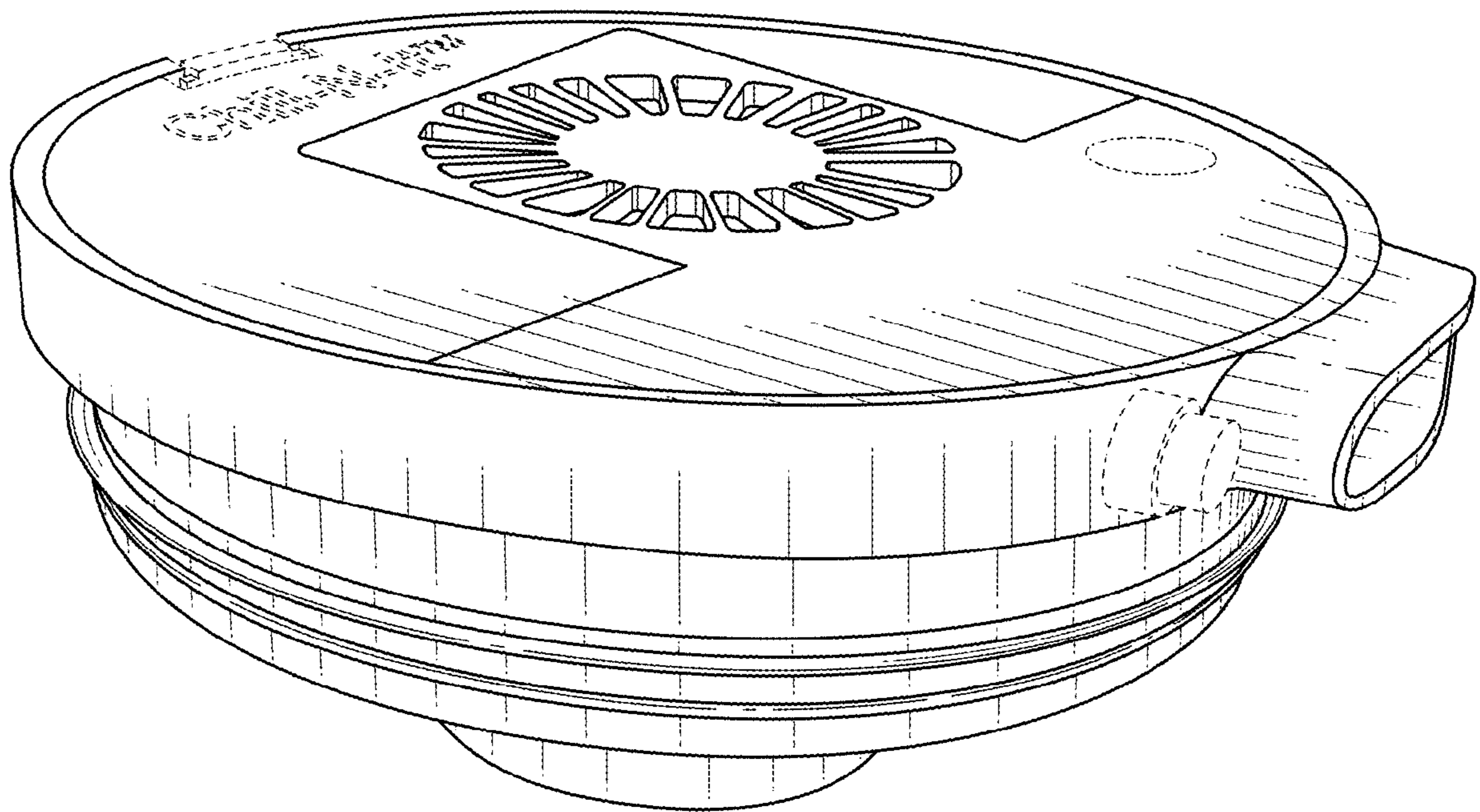


FIG. 1

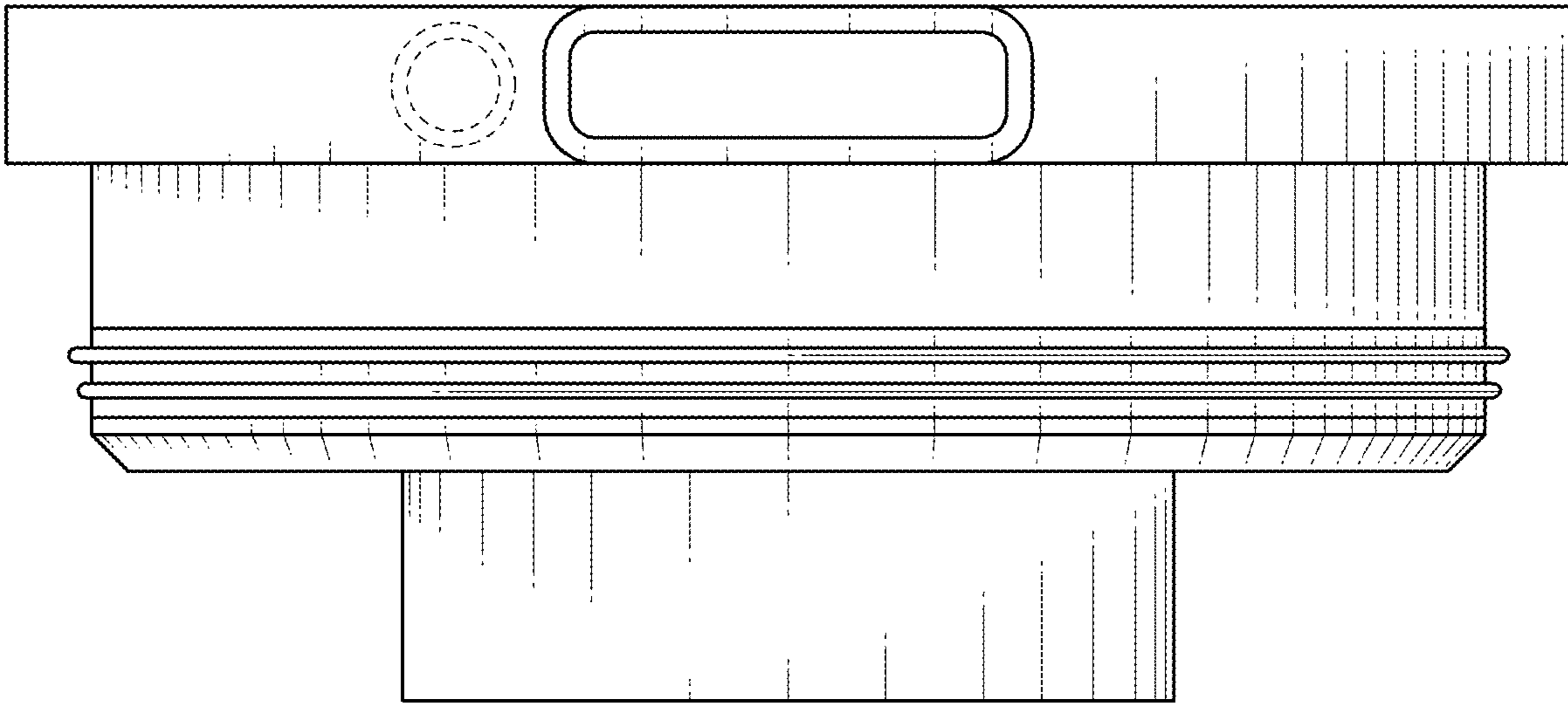


FIG. 2

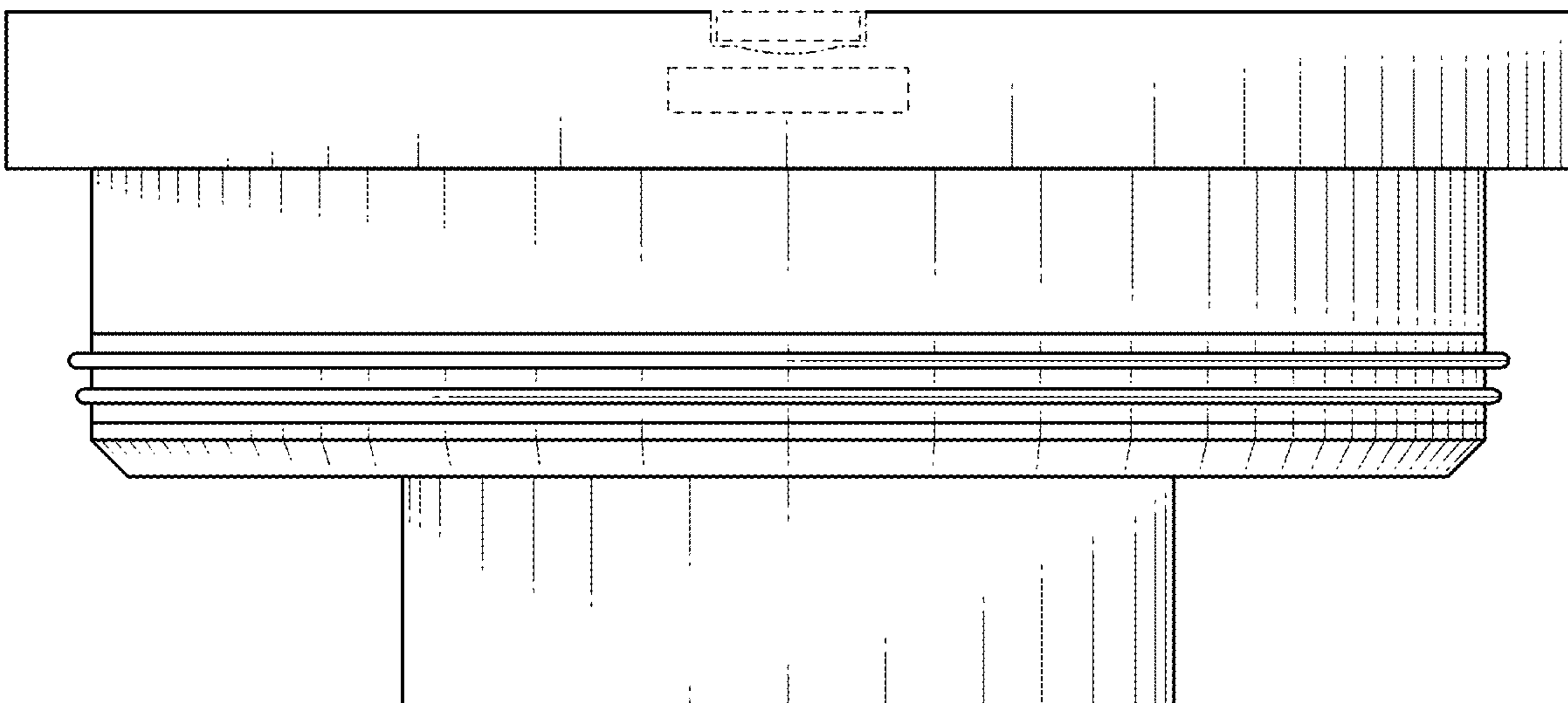


FIG. 3

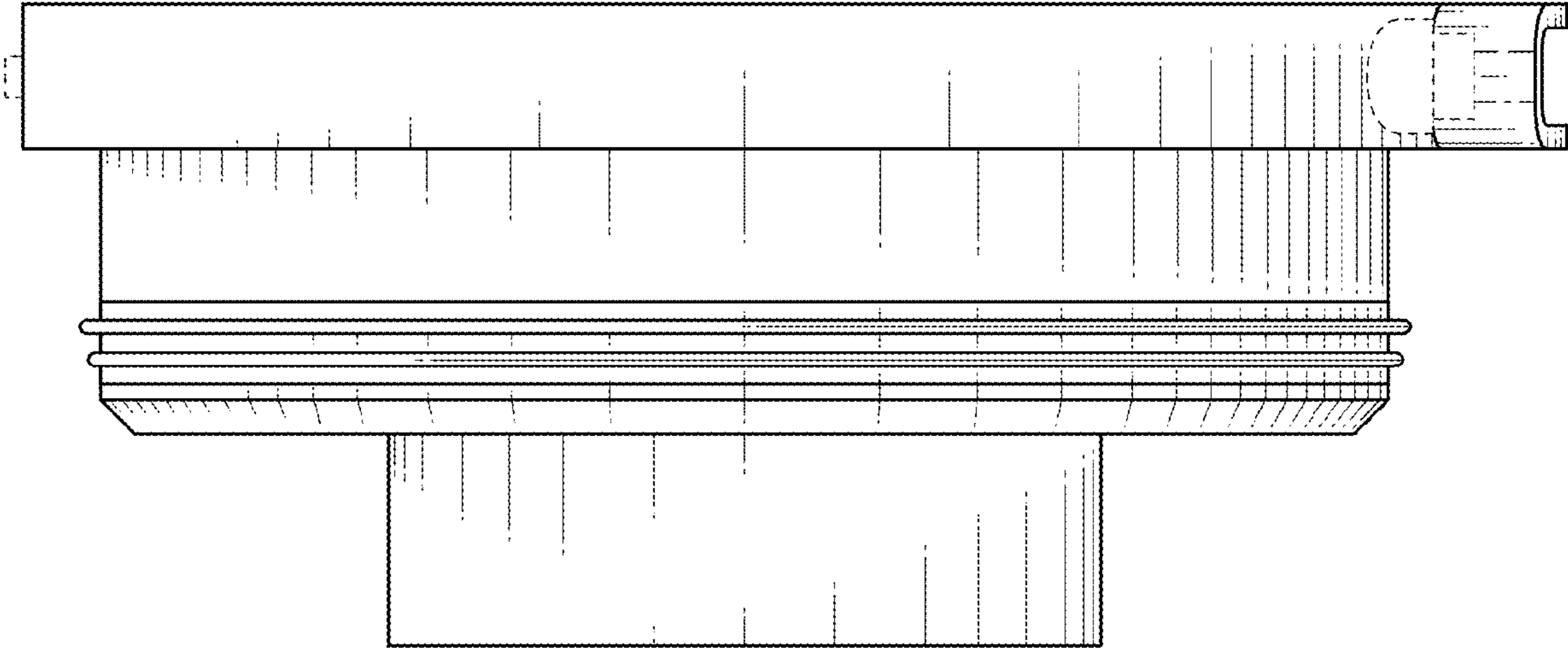


FIG. 4

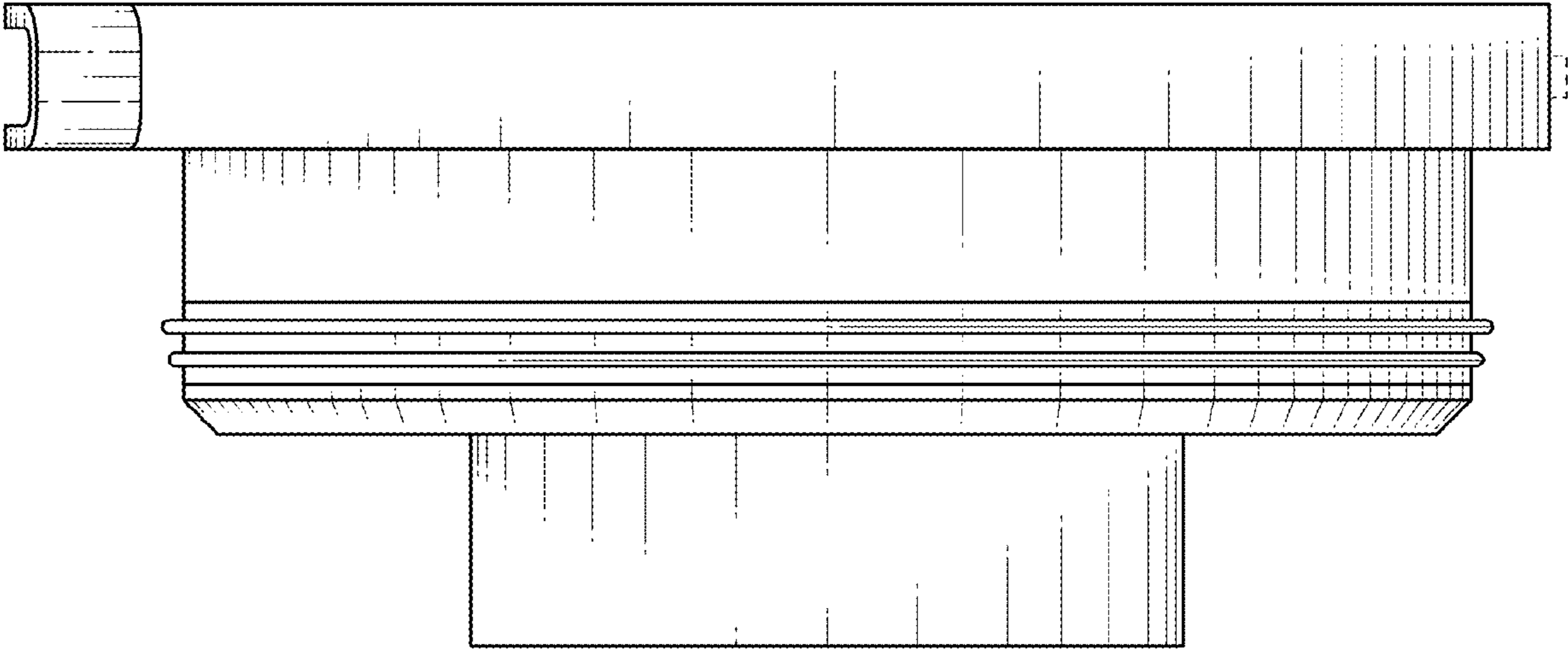


FIG. 5

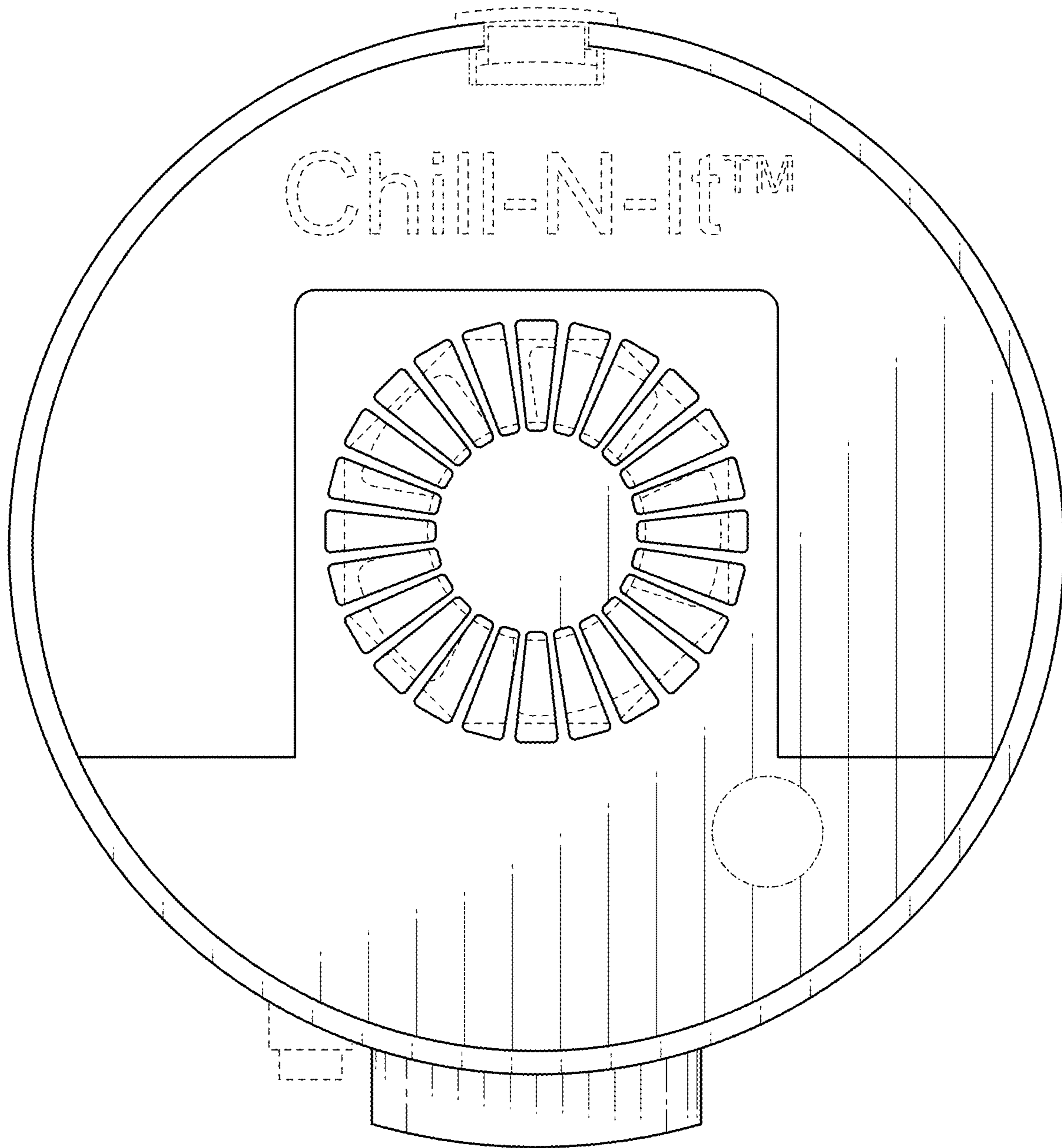


FIG. 6

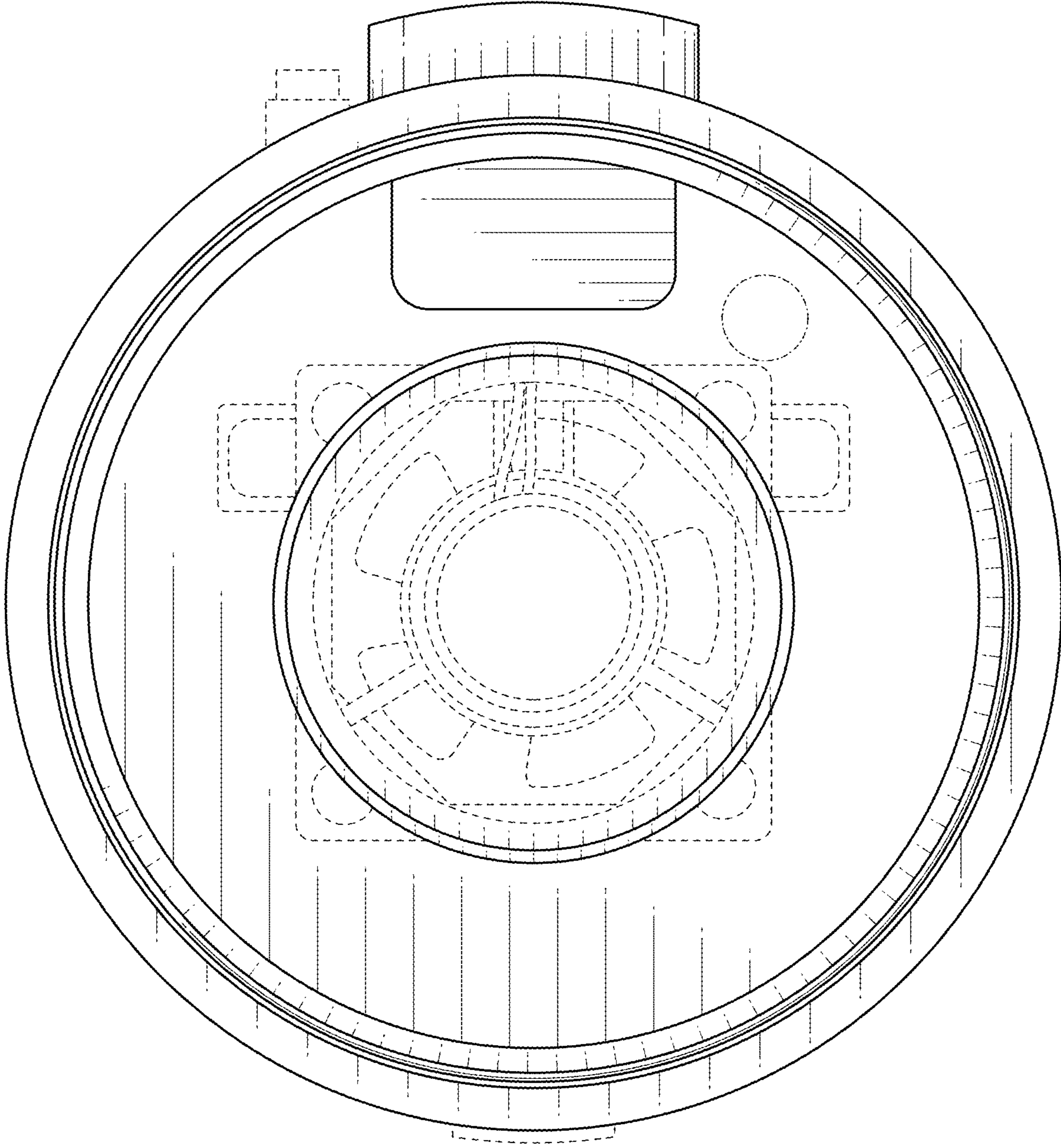


FIG. 7