



US00D871832S

(12) **United States Design Patent**  
**Marina et al.**

(10) **Patent No.:** **US D871,832 S**

(45) **Date of Patent:** **\*\* Jan. 7, 2020**

- (54) **PIERCER**
- (71) Applicant: **PepsiCo, Inc.**, Purchase, NY (US)
- (72) Inventors: **Carlos Hernan Marina**, Deerfield Beach, FL (US); **Dario Federico Stanziano**, Buenos Aires (AR); **Hernán Javier Giorgi**, Buenos Aires (AR); **Tomás Águila**, Buenos Aires (AR)
- (73) Assignee: **PepsiCo, Inc.**, Purchase, NY (US)
- (\*\*) Term: **15 Years**
- (21) Appl. No.: **29/623,503**
- (22) Filed: **Oct. 25, 2017**

**Related U.S. Application Data**

- (63) Continuation of application No. 29/567,996, filed on Jun. 14, 2016, now Pat. No. Des. 803,064.
  - (51) **LOC (12) Cl.** ..... **07-01**
  - (52) **U.S. Cl.**  
USPC ..... **D7/392.1; D7/396.2; D9/437**
  - (58) **Field of Classification Search**  
USPC ..... D7/387, 392.1, 396.2, 393, 394, 397, D7/398, 213, 900, 507, 523, 532, 510, D7/511, 529, 533, 536, 534, 524, 537, D7/514, 515, 522, 412, 376, 309, 317, D7/305, 665, 375; D9/435, 436, 443, D9/442, 444, 449, 450, 437; D24/197  
CPC ..... A47G 19/2205; A47G 19/22; A47J 43/27; A47J 41/02; A47J 41/0077; A47J 41/0088; A47J 41/028; A47J 31/407; A47J 31/40; A45F 3/16; B65D 85/804; B65D 41/04
- See application file for complete search history.

(56) **References Cited**

**U.S. PATENT DOCUMENTS**

D85,279 S	10/1931	Brooke
2,073,636 A	3/1937	Holoubek

2,930,408 A	3/1960	Stevens	
3,369,691 A	2/1968	Wei	
D217,899 S	6/1970	Lawton	
D232,915 S	9/1974	Becker	
D262,192 S *	12/1981	Wedge	D9/435
4,346,495 A	8/1982	Lin	
D278,033 S	3/1985	Borkan et al.	
D286,508 S *	11/1986	Tilden	222/570
D313,176 S	12/1990	Okuda et al.	
D316,035 S	4/1991	Pepitone	
D350,460 S	9/1994	Picozza et al.	
5,385,326 A	1/1995	Bidwell	
D364,810 S	12/1995	Meisner	
5,547,275 A *	8/1996	Lillelund	A47J 43/27 366/130
D374,150 S *	10/1996	Lillelund	D7/387

(Continued)

**FOREIGN PATENT DOCUMENTS**

AR	81577	10/2010
WO	WO 2013/103589	7/2013

*Primary Examiner* — Jae Liang

(74) *Attorney, Agent, or Firm* — Sterne, Kessler, Goldstein & Fox P.L.L.C.

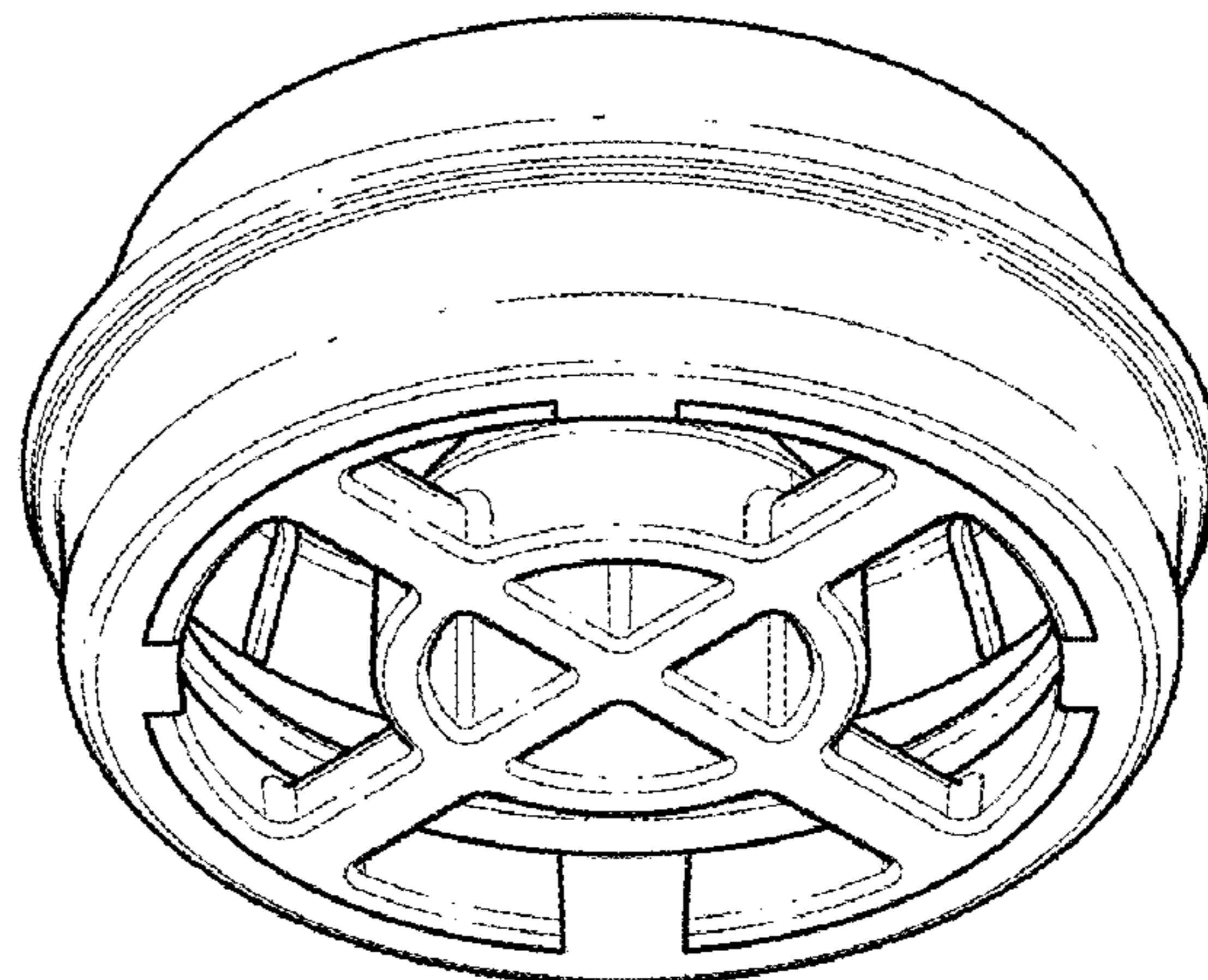
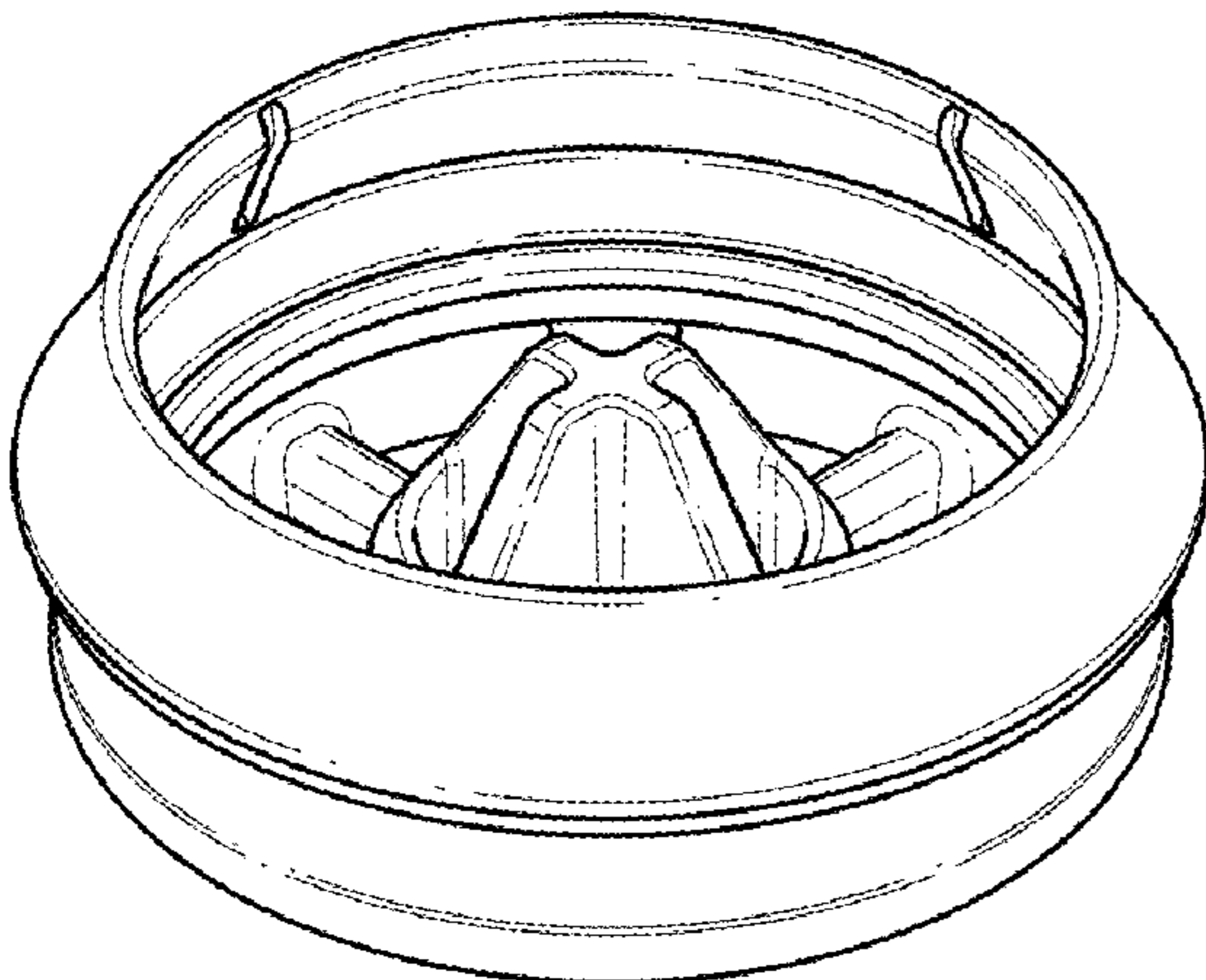
(57) **CLAIM**

The ornamental design for a piercer, as shown and described.

**DESCRIPTION**

FIG. 1 is a top front perspective view of a piercer showing the claimed design;  
 FIG. 2 is a bottom front perspective view thereof;  
 FIG. 3 is a front view thereof;  
 FIG. 4 is a rear view thereof;  
 FIG. 5 is a left side view thereof;  
 FIG. 6 is a right side view thereof;  
 FIG. 7 is a top view thereof; and,  
 FIG. 8 is a bottom view thereof.

**1 Claim, 3 Drawing Sheets**



(56)

References Cited

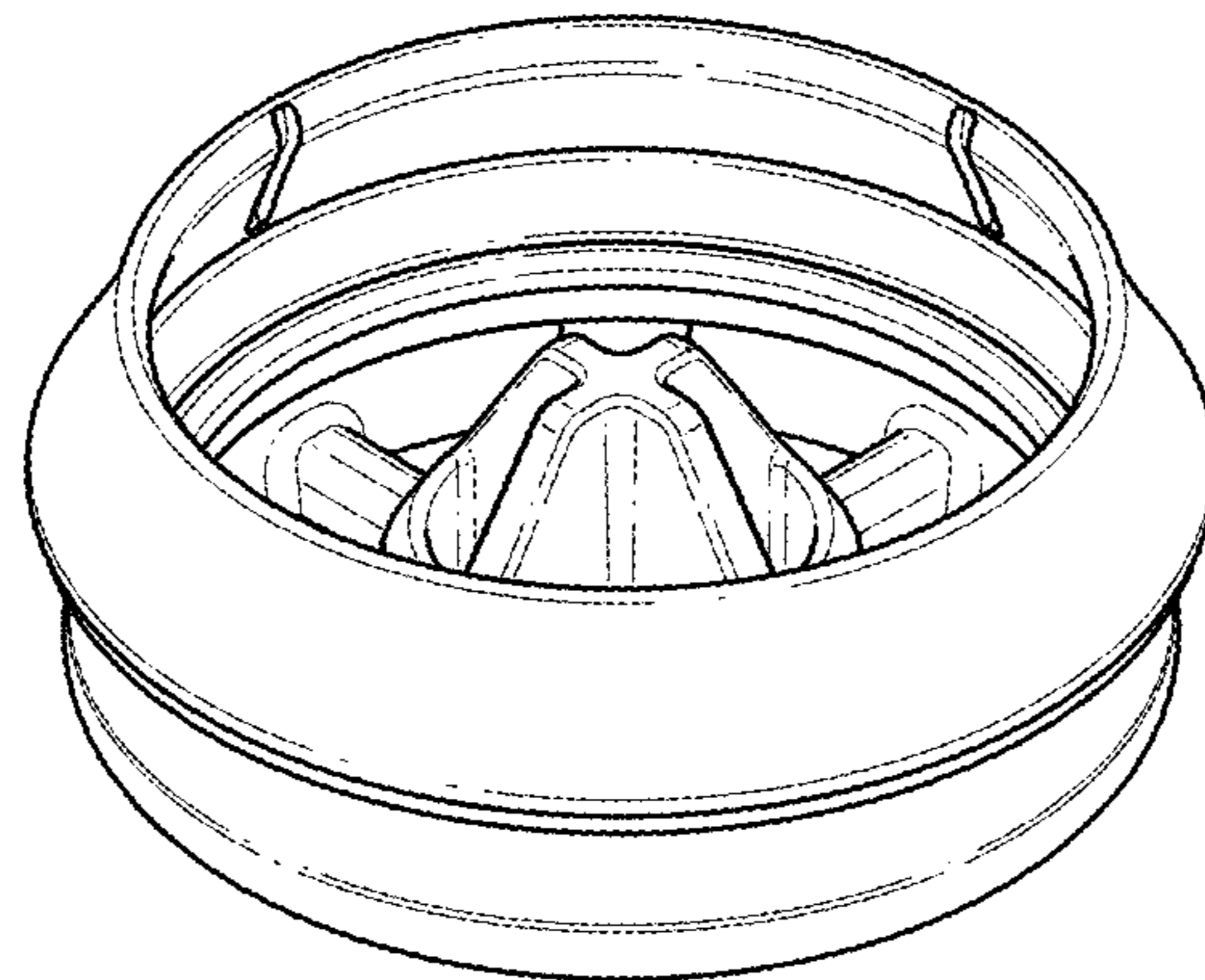
U.S. PATENT DOCUMENTS

5,573,152 A 11/1996 Arnold  
D377,435 S 1/1997 Dettmar et al.  
5,626,250 A 5/1997 Dorazio  
5,671,586 A 9/1997 Weder  
5,711,445 A 1/1998 Robbins, III  
D402,889 S 12/1998 Bryce  
D405,693 S 2/1999 Bretz et al.  
D407,946 S 4/1999 Brewer et al.  
D410,364 S 6/1999 Ramirez et al.  
D414,238 S 9/1999 Kupperman  
6,105,799 A 8/2000 Takagawa  
6,142,366 A 11/2000 Sagei  
D451,200 S \* 11/2001 Johansen ..... D24/197  
6,405,675 B1 6/2002 Mills  
6,409,035 B1 6/2002 Oarr et al.  
D464,263 S 10/2002 White et al.  
6,460,759 B1 10/2002 Lowry et al.  
D470,050 S 2/2003 Renz et al.  
D481,937 S 11/2003 McRae  
D501,362 S 2/2005 Gauss  
D510,270 S 10/2005 Khalifa  
D512,874 S 12/2005 Poulson et al.  
D516,915 S 3/2006 Gaines  
D517,869 S 3/2006 Graves et al.  
D528,862 S 9/2006 Li  
D528,921 S 9/2006 Leoncavallo et al.  
D529,338 S 10/2006 Poulson et al.  
D529,379 S 10/2006 Mengeu et al.  
D532,305 S 11/2006 Fellows et al.  
D536,582 S 2/2007 Roth et al.  
D536,929 S 2/2007 Kingsley  
D537,676 S 3/2007 Kingsley  
D539,078 S \* 3/2007 Anderson ..... D7/375  
D539,136 S 3/2007 Limber  
D547,657 S \* 7/2007 Tacchella ..... D9/454  
D554,000 S 10/2007 Walsh  
D562,626 S \* 2/2008 Freeman ..... D7/387  
D565,353 S 4/2008 Roth et al.  
D567,021 S 4/2008 Bach et al.  
D569,685 S \* 5/2008 Liu ..... D7/387  
D579,272 S 10/2008 Pickering et al.  
D581,278 S 11/2008 Shibata et al.  
D588,870 S \* 3/2009 Rasmussen ..... D7/397  
D594,332 S 6/2009 Nerubay  
D596,458 S 7/2009 McKinney  
D600,973 S 9/2009 Lane  
D609,969 S 2/2010 McKinney  
D622,835 S 8/2010 Mendheim  
D626,415 S 11/2010 Kolano  
D629,693 S 12/2010 Rica  
D635,020 S \* 3/2011 Kunishige ..... D9/447  
D637,466 S \* 5/2011 Singleton ..... D8/41  
D647,364 S 10/2011 Audette et al.  
D650,677 S 12/2011 Wurster et al.  
D660,082 S 5/2012 Wahl  
D661,549 S 6/2012 Kemper et al.  
D661,551 S 6/2012 Gilbert

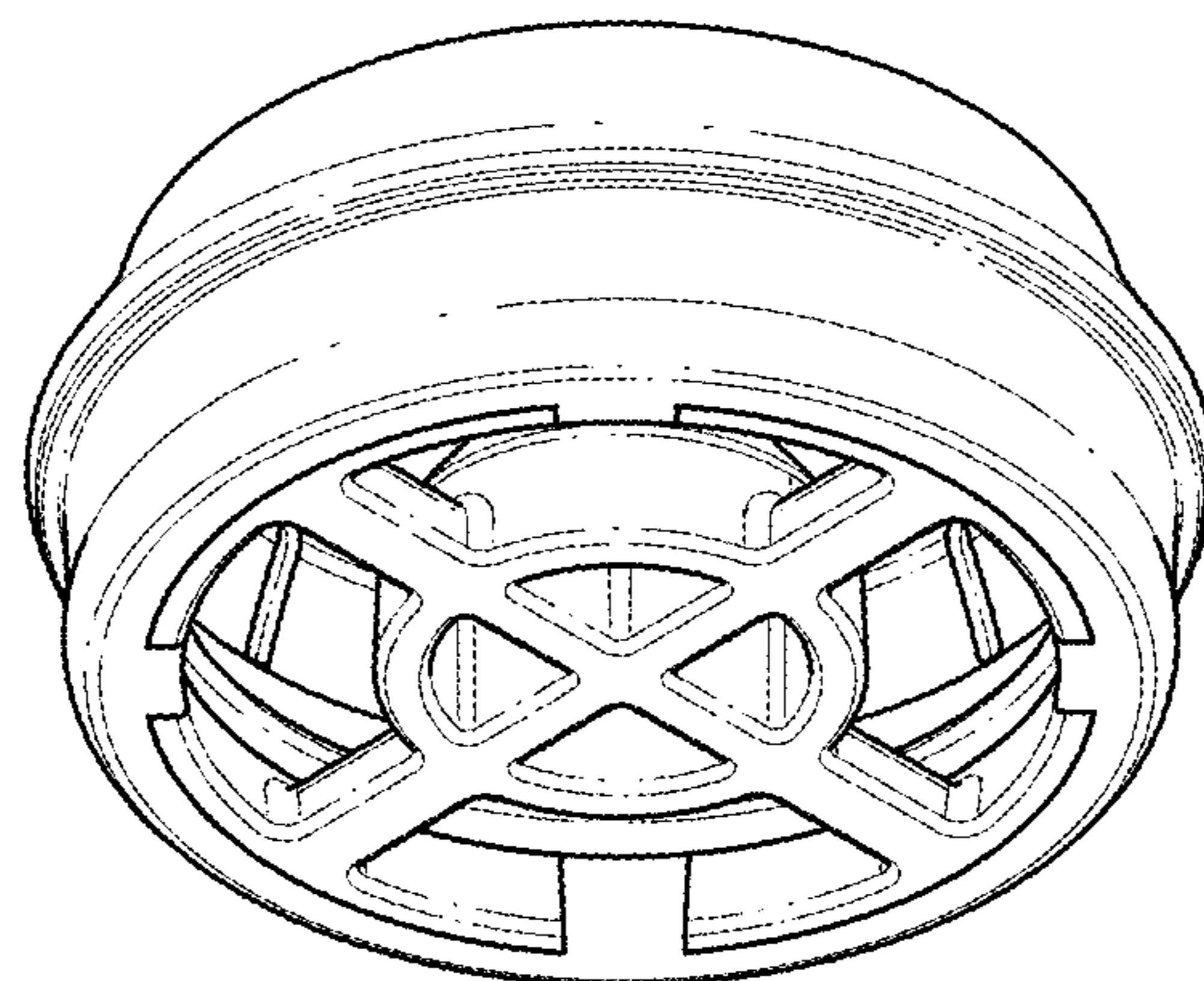
D665,953 S \* 8/2012 Leary ..... A01K 13/001  
D30/158  
D668,150 S 10/2012 Crapser et al.  
D676,717 S 2/2013 Ceder  
8,365,913 B2 2/2013 Ceder  
8,365,941 B2 2/2013 Mayer  
D680,805 S 4/2013 Rosbach  
D684,065 S 6/2013 Wiseman  
D688,531 S 8/2013 Ceder  
D689,375 S 9/2013 Garner  
8,544,676 B2 10/2013 Roth et al.  
8,579,149 B2 11/2013 Henke et al.  
8,584,879 B2 11/2013 Melrose et al.  
D697,431 S 1/2014 Baker et al.  
D702,492 S 4/2014 Marina et al.  
D703,000 S 4/2014 Marina et al.  
D703,487 S 4/2014 Marina et al.  
8,752,720 B1 6/2014 Habig et al.  
D709,387 S 7/2014 Marina et al.  
D710,703 S 8/2014 Marina et al.  
D712,268 S 9/2014 Marina et al.  
D717,651 S 11/2014 Marina et al.  
8,899,644 B2 12/2014 Hancey  
8,926,840 B2 1/2015 Hull et al.  
D727,171 S 4/2015 Marina et al.  
D730,729 S 6/2015 George  
D735,038 S \* 7/2015 Tamarindo ..... D9/454  
D754,999 S 5/2016 Gamelli  
D761,628 S \* 7/2016 Chitayat ..... D15/90  
D764,232 S 8/2016 Marina et al.  
D769,043 S 10/2016 Gamelli et al.  
D791,542 S 7/2017 Miksovsky et al.  
D794,391 S \* 8/2017 Palin ..... D7/510  
D795,644 S \* 8/2017 Cortadellas ..... D7/510  
D795,646 S 8/2017 Sorensen et al.  
D799,888 S \* 10/2017 McClory ..... D7/375  
D799,889 S \* 10/2017 McClory ..... D7/375  
D799,890 S \* 10/2017 McClory ..... D7/375  
D815,942 S \* 4/2018 Marina ..... D9/437  
D836,409 S \* 12/2018 Silsby ..... D7/665  
D840,223 S \* 2/2019 Marina ..... D9/437  
10,232,985 B2 \* 3/2019 Bisio ..... B65D 41/3404  
2002/0027142 A1 3/2002 Klein  
2004/0124192 A1 7/2004 Teller  
2006/0124579 A1 6/2006 Nielson  
2007/0084821 A1 4/2007 Bysick et al.  
2007/0199914 A1 8/2007 Hung  
2008/0061025 A1 3/2008 Egnatski  
2008/0087624 A1 4/2008 Buckley  
2008/0264896 A1 10/2008 Eveleth  
2009/0178995 A1 7/2009 Tung et al.  
2010/0055252 A1 3/2010 Marina et al.  
2011/0166910 A1 7/2011 Marina et al.  
2012/0183657 A1 7/2012 Marina et al.  
2013/0103589 A1 4/2013 Cragun et al.  
2014/0130454 A1 5/2014 Kommer  
2016/0376061 A1 12/2016 Shirley et al.  
2017/0029156 A1 2/2017 Eguchi et al.  
2017/0354289 A1 \* 12/2017 Marina ..... A47J 31/407  
2018/0009590 A1 \* 1/2018 Wong ..... A61J 9/00

\* cited by examiner

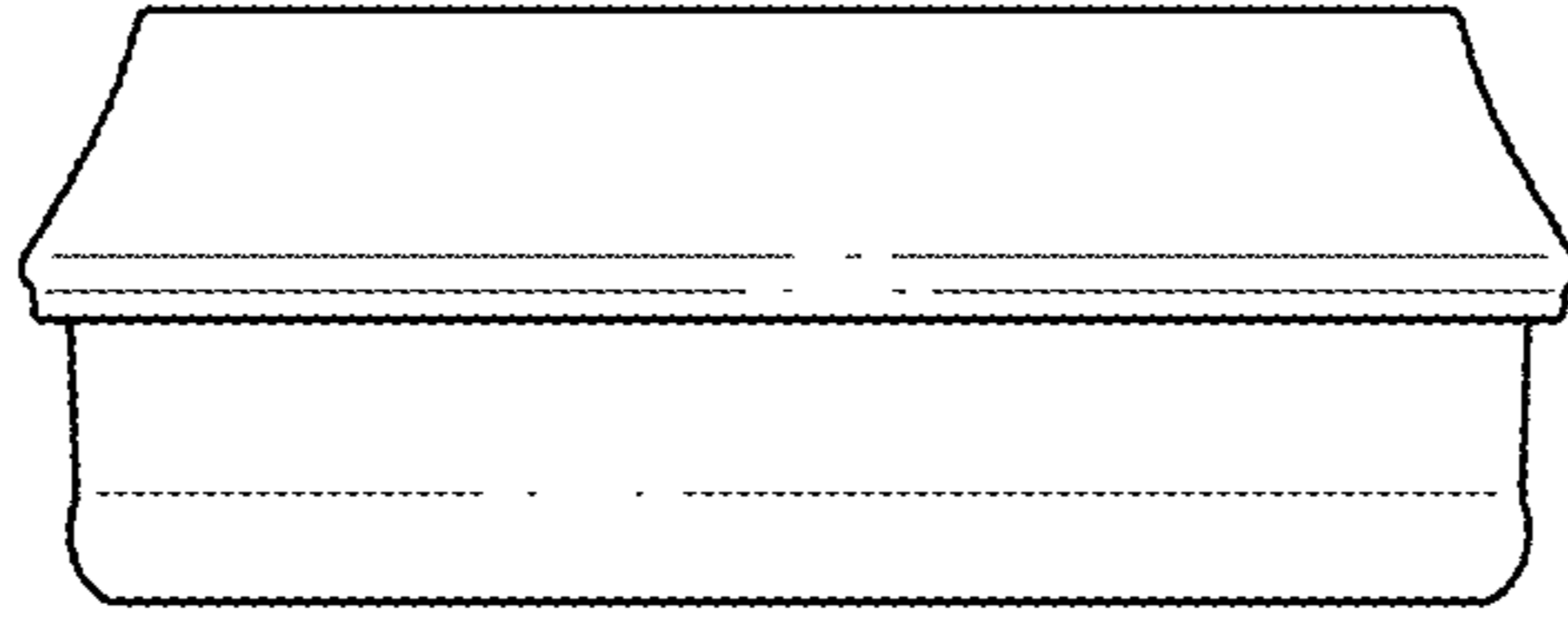




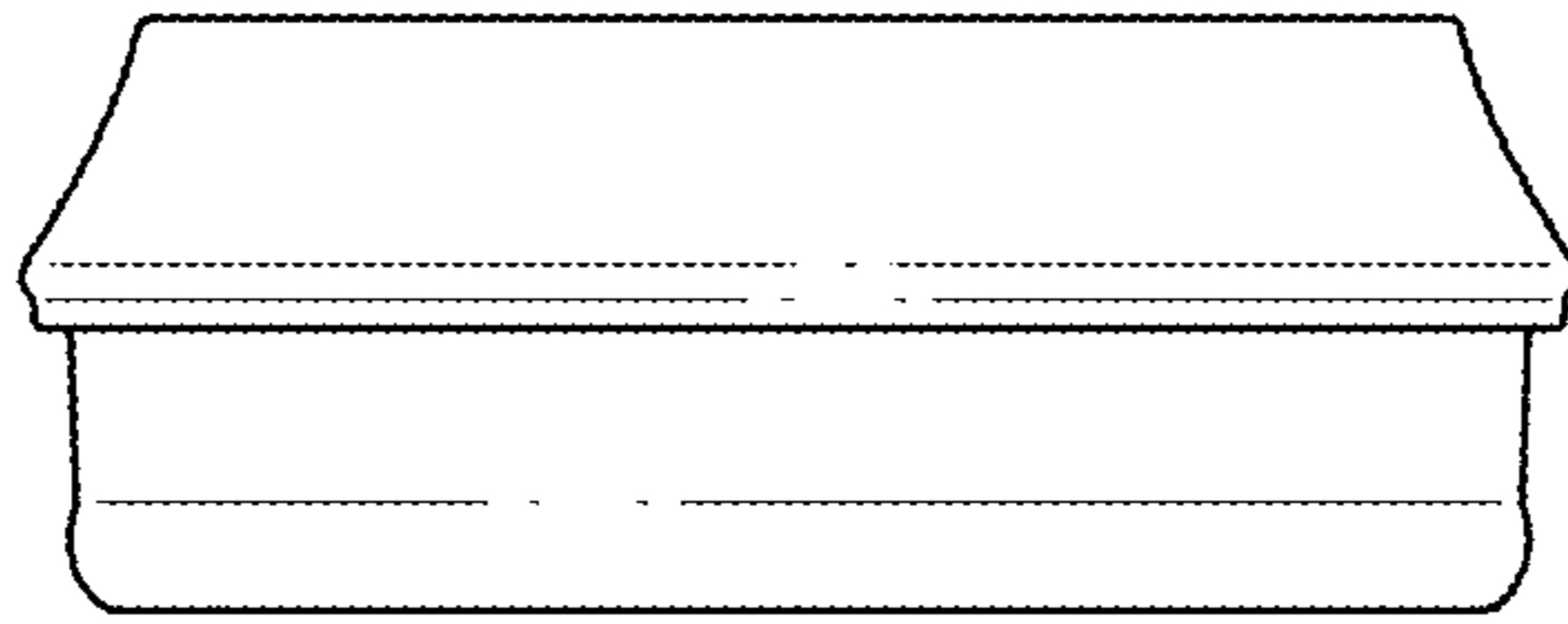
**FIG. 1**



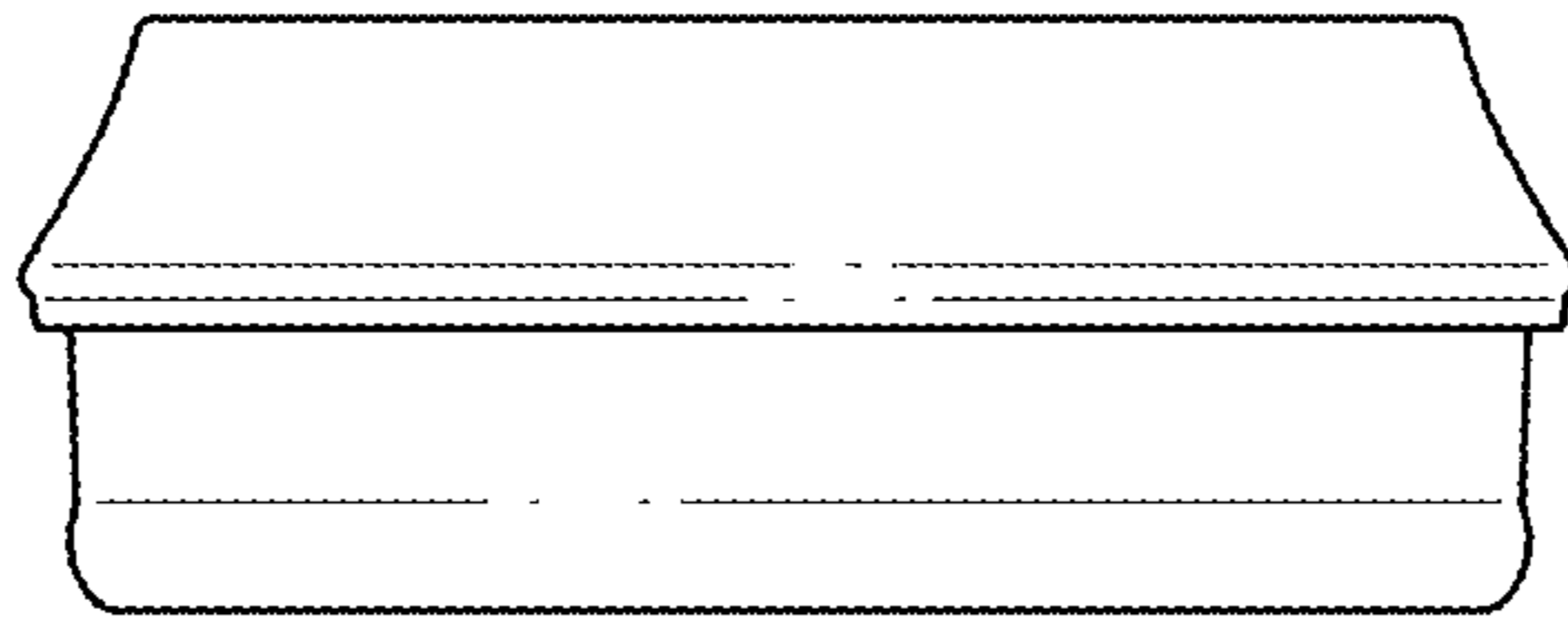
**FIG. 2**



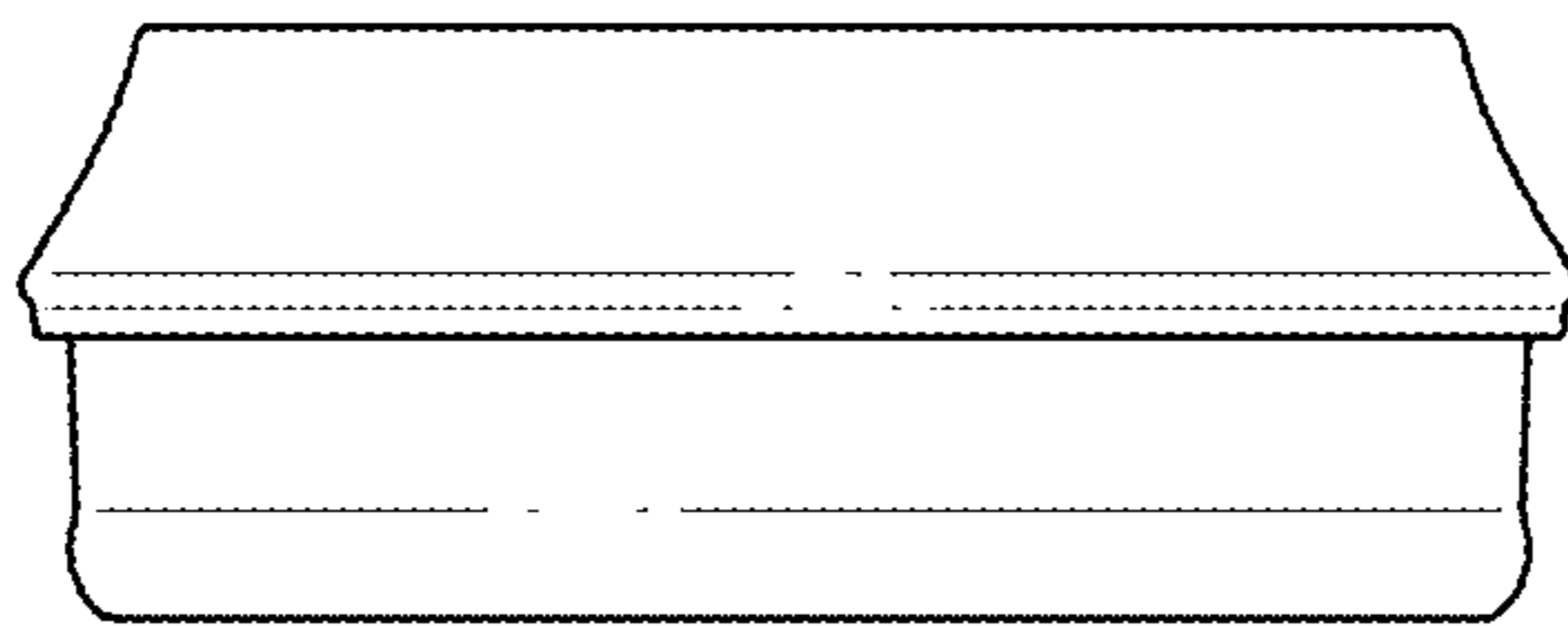
**FIG. 3**



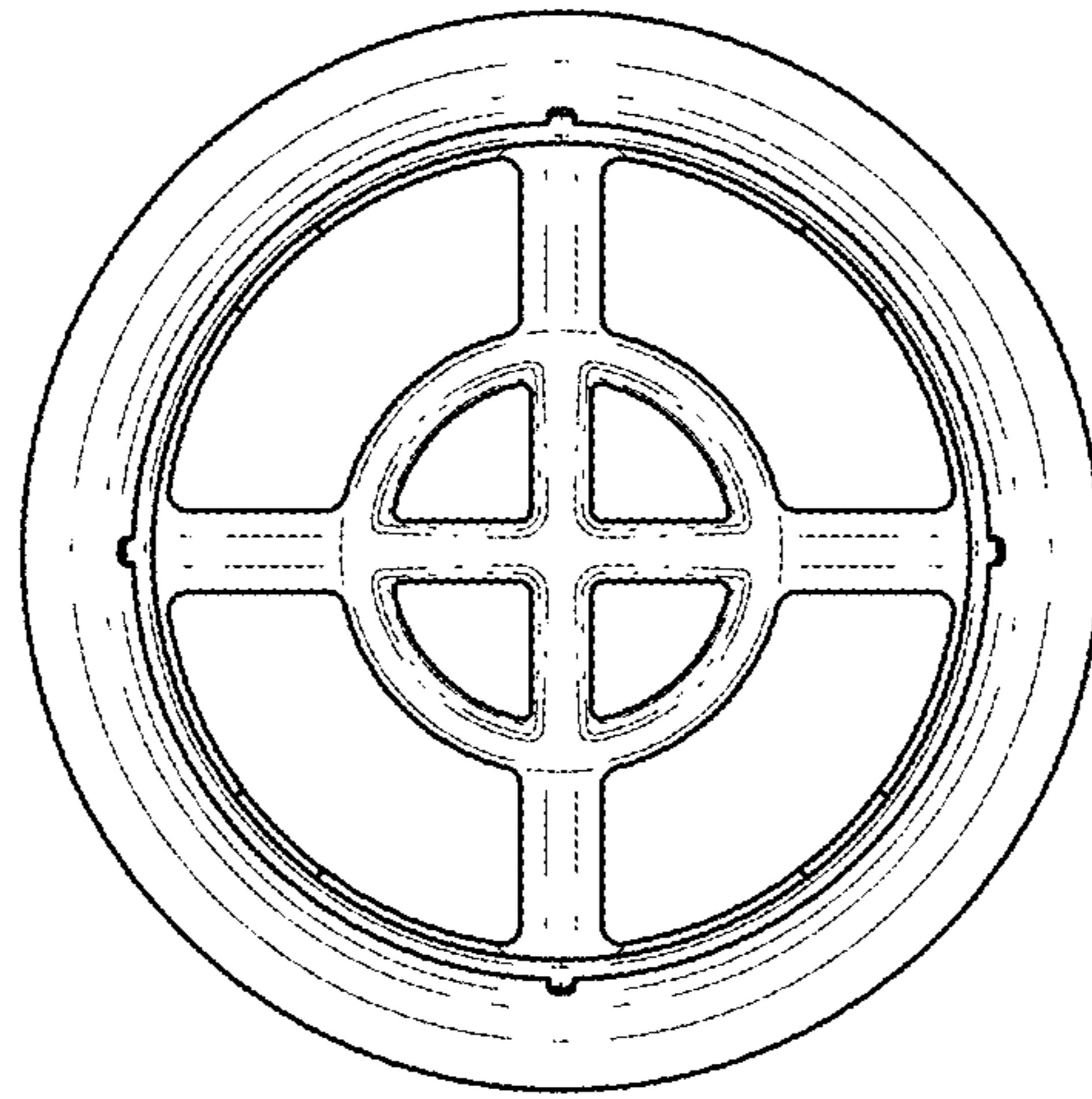
**FIG. 4**



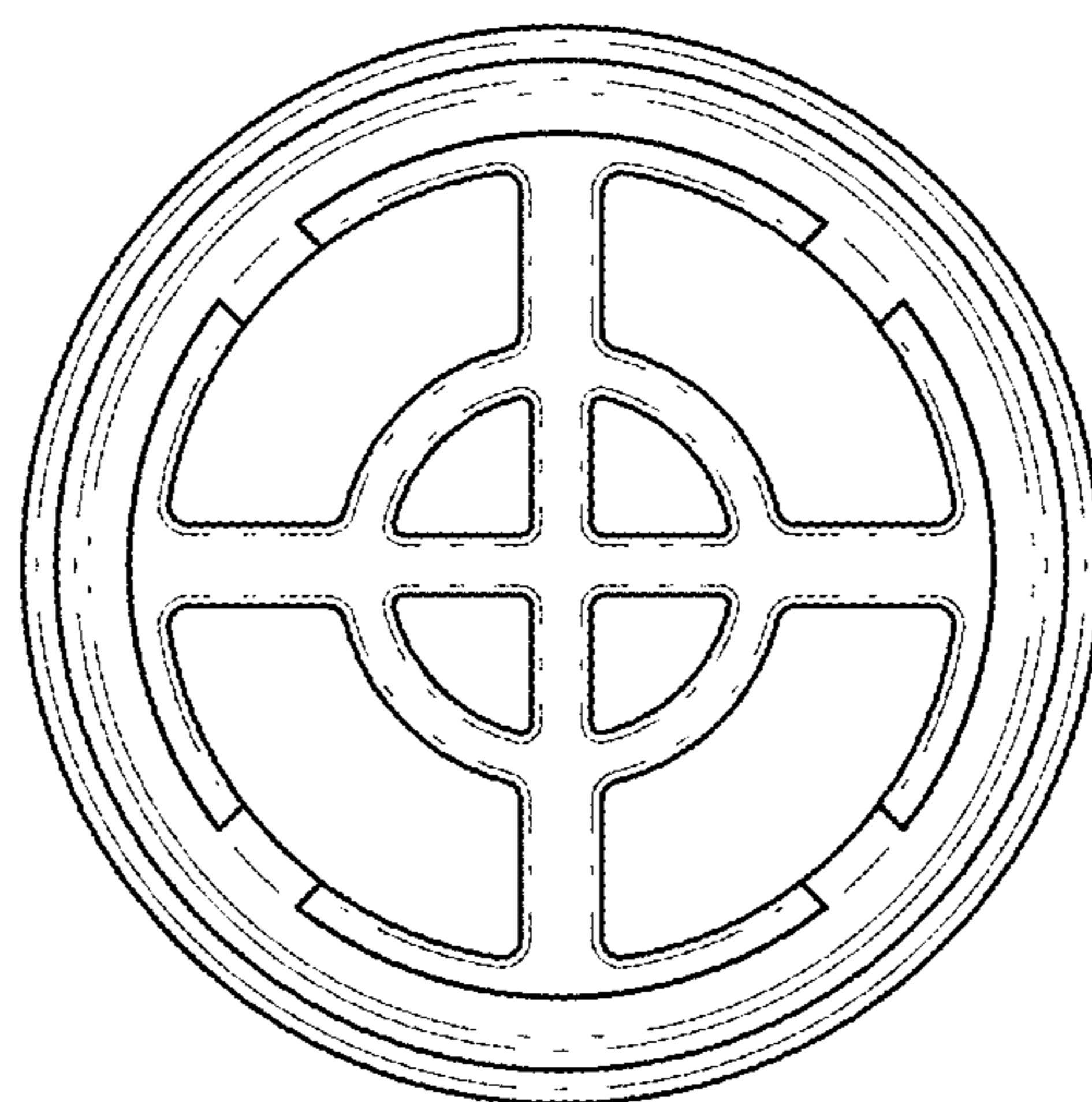
**FIG. 5**



**FIG. 6**



**FIG. 7**



**FIG. 8**