

US00D871831S

(12) **United States Design Patent**
Liu

(10) **Patent No.:** **US D871,831 S**
(45) **Date of Patent:** **** Jan. 7, 2020**

(54) **PORTABLE BLENDER**

(71) Applicant: **Shenzhen Shiguangxiu Technology Co., Ltd., Shenzhen (CN)**

(72) Inventor: **Li-Fang Liu, Shenzhen (CN)**

(73) Assignee: **Shenzhen Shiguangxiu Technology Co., Ltd., Shenzhen (CN)**

(**) Term: **15 Years**

(21) Appl. No.: **29/655,007**

(22) Filed: **Jun. 29, 2018**

(51) **LOC (12) Cl.** **31-00**

(52) **U.S. Cl.**
USPC **D7/378; D7/376; D7/412; D7/413**

(58) **Field of Classification Search**
USPC **D7/323, 372, 376-386, 412-413, 602, D7/629, 665-666, 669, 679, 693-694**
CPC .. **A21C 1/02; A21C 1/04; A23G 9/045; A23N 1/00; A23N 1/02; A47J 19/02; A47J 19/027; A47J 43/04; A47J 43/25; A47J 43/27; A47J 43/042; A47J 43/044; A47J 43/046; A47J 43/075; A47J 43/0722; A47J 43/0727; B01F 3/00; B01F 3/0807; B01F 3/0853; B01F 13/0059; B01F 13/0064; B02C 1/08; B02C 2/04; B02C 4/42; B02C 4/142; B02C 4/143; B02C 4/423; B02C 13/1835; B28C 5/10; B28C 5/12; B28C 5/14; B28C 5/16; B26D 3/26**
See application file for complete search history.

D487,668 S * 3/2004 Sands D7/378
D489,585 S * 5/2004 Wong D7/693
6,959,562 B2 * 11/2005 Navedo A23G 9/045
366/251
D554,427 S * 11/2007 Sands B26D 3/26
D7/378
D622,095 S * 8/2010 Metaxatos A23G 9/045
D7/376
D665,620 S * 8/2012 Chapman D7/376
D816,394 S * 5/2018 Yeung D7/378
2002/0113155 A1 * 8/2002 Weibel B26D 3/26
241/283
2005/0047272 A1 * 3/2005 Sands A47J 19/027
366/199
2010/0058940 A1 * 3/2010 Rivera A47J 19/02
99/501

* cited by examiner

Primary Examiner — Ricky Pham
(74) *Attorney, Agent, or Firm* — ScienBiziP, P.C.

(57) **CLAIM**

The ornamental design for a portable blender, as shown and described.

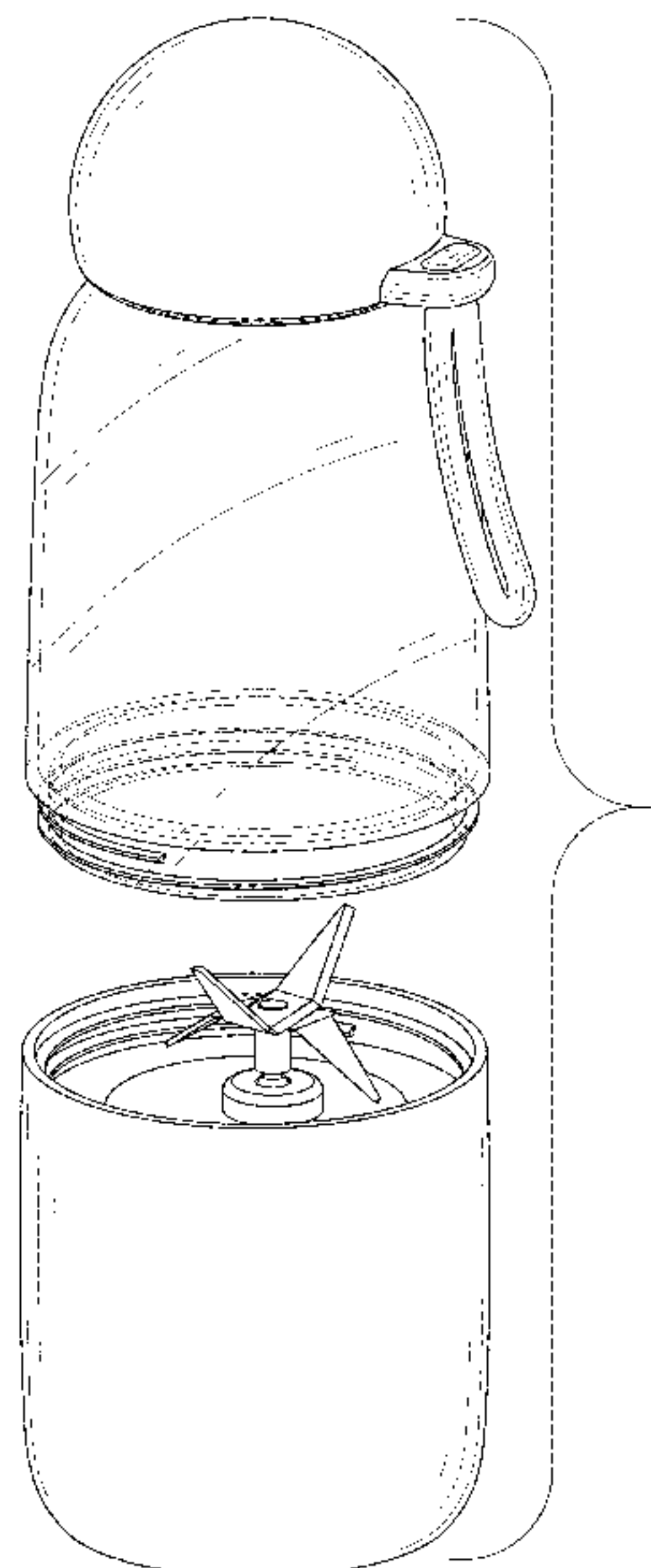
DESCRIPTION

FIG. 1 is a first perspective view of a portable blender, showing my design;
FIG. 2 is a second perspective view thereof;
FIG. 3 is a front elevation view thereof;
FIG. 4 is a rear elevation view thereof;
FIG. 5 is a left side elevation view thereof;
FIG. 6 is a right side elevation view thereof;
FIG. 7 is a top plan view thereof;
FIG. 8 is a bottom plan view thereof;
FIG. 9 is an exploded view thereof; and,
FIG. 10 is a perspective view thereof in a use state.
The broken lines are for environmental structures, boundaries, or illustrative purposes only and form no part of the claimed designs to be patented.

(56) **References Cited**
U.S. PATENT DOCUMENTS

D346,526 S * 5/1994 Bannigan A47J 19/02
D7/323
D372,835 S * 8/1996 Leverrier A47J 19/027
D7/372

1 Claim, 10 Drawing Sheets



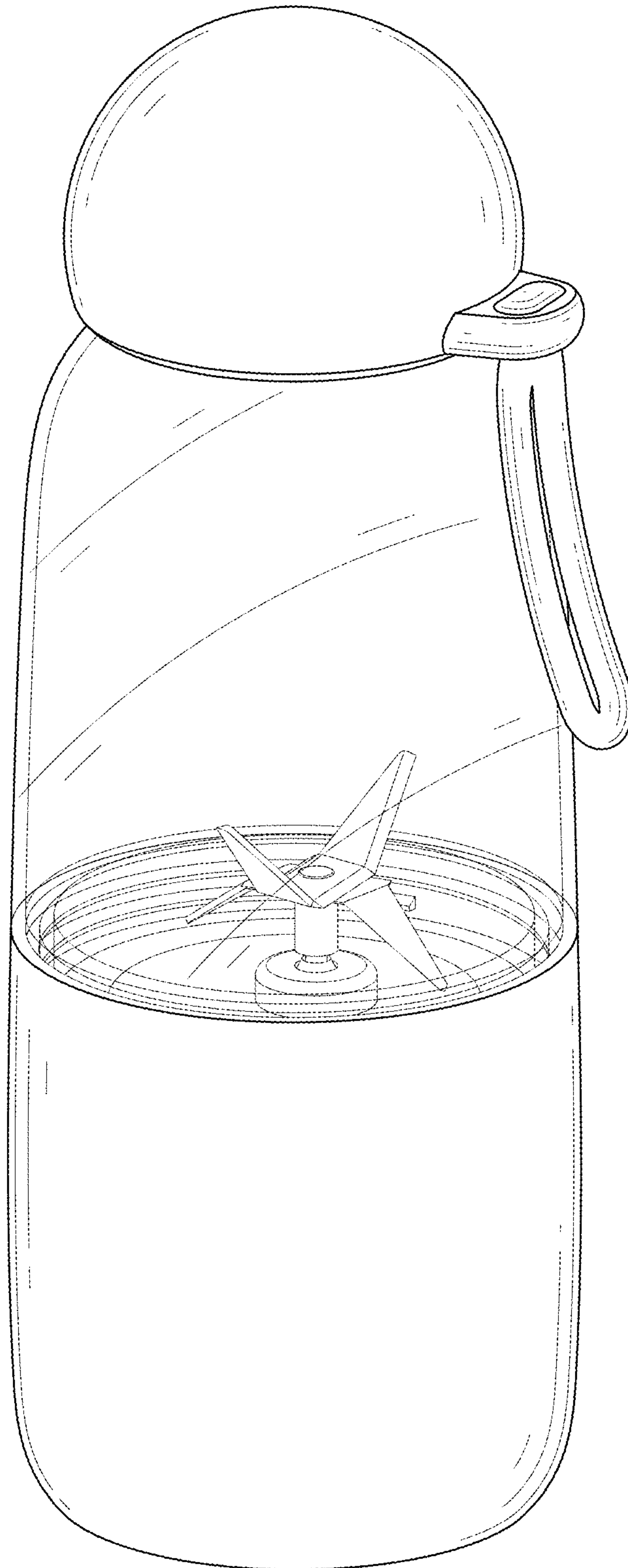


FIG. 1

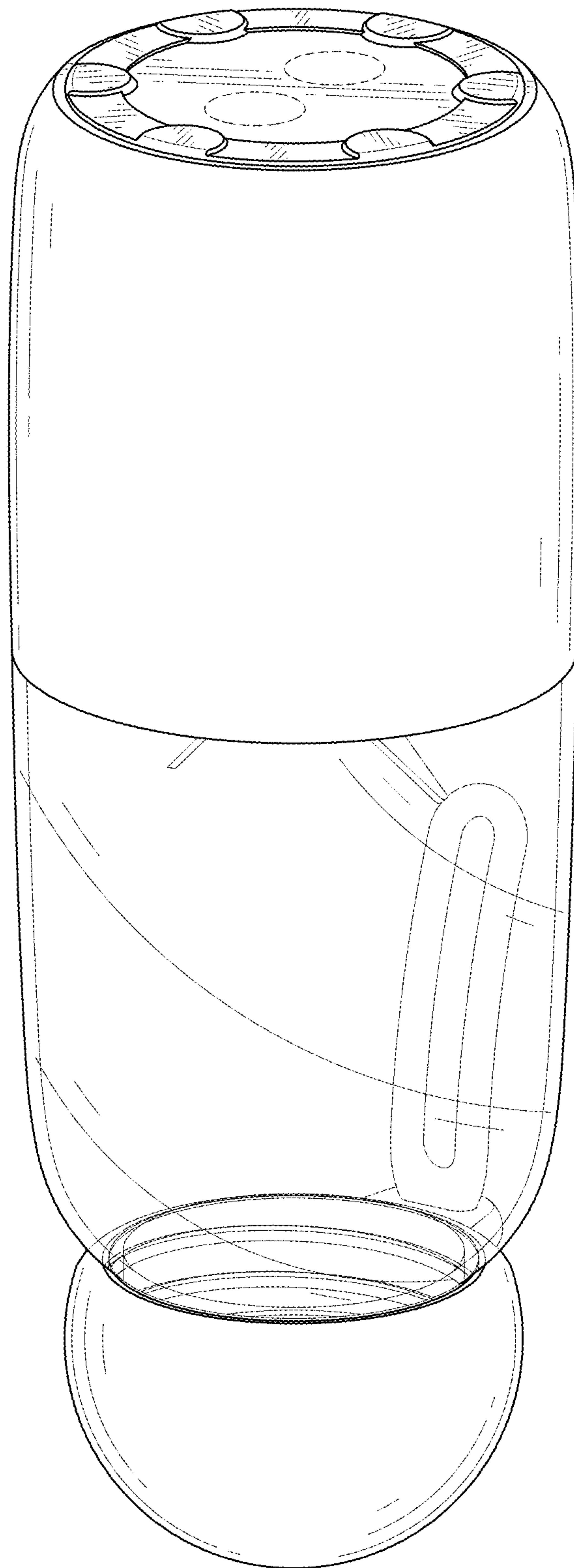


FIG. 2

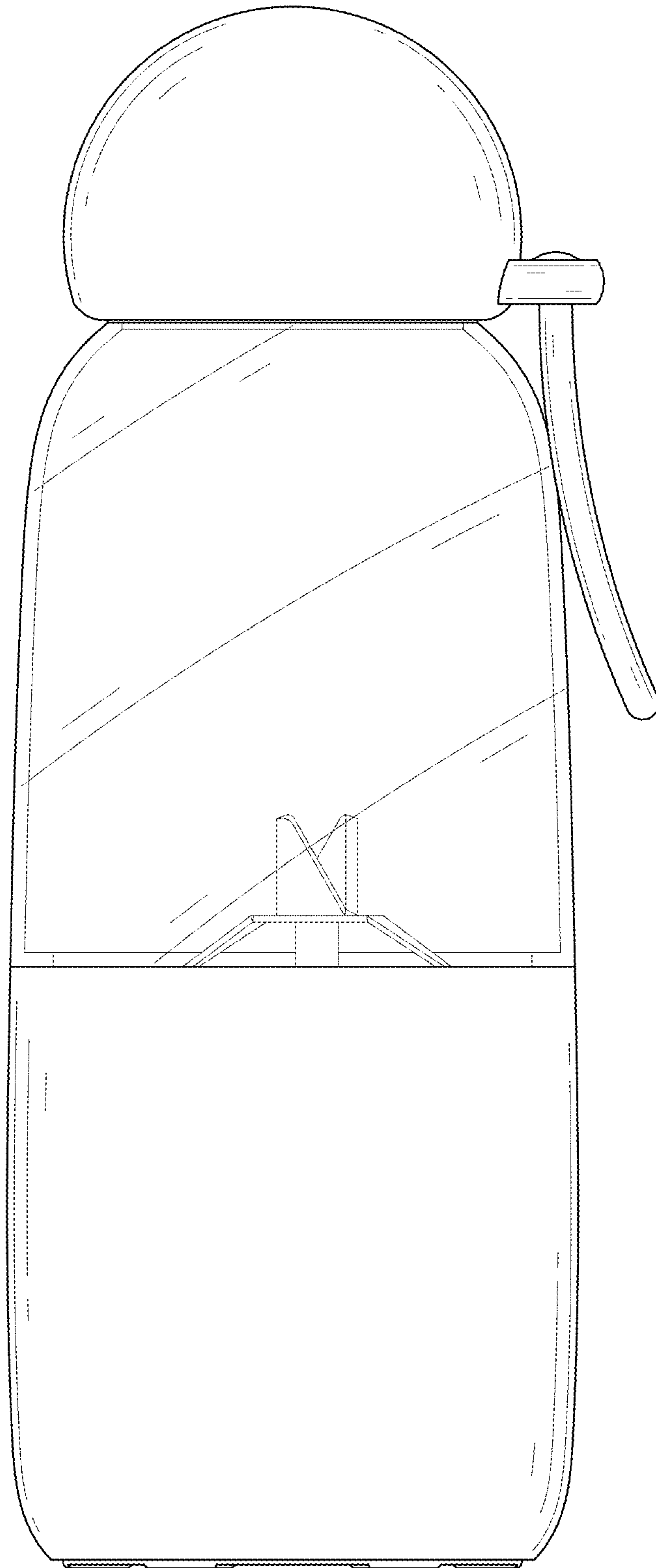


FIG. 3

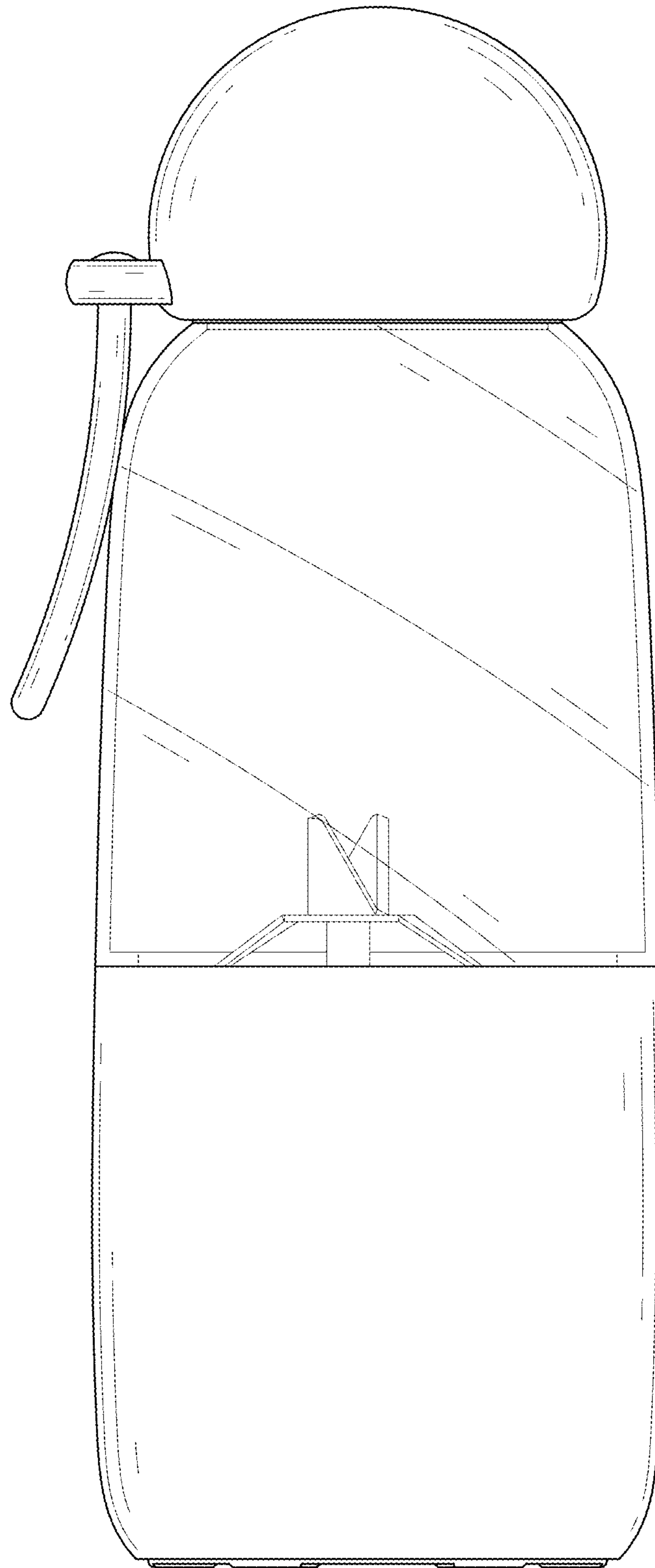


FIG. 4

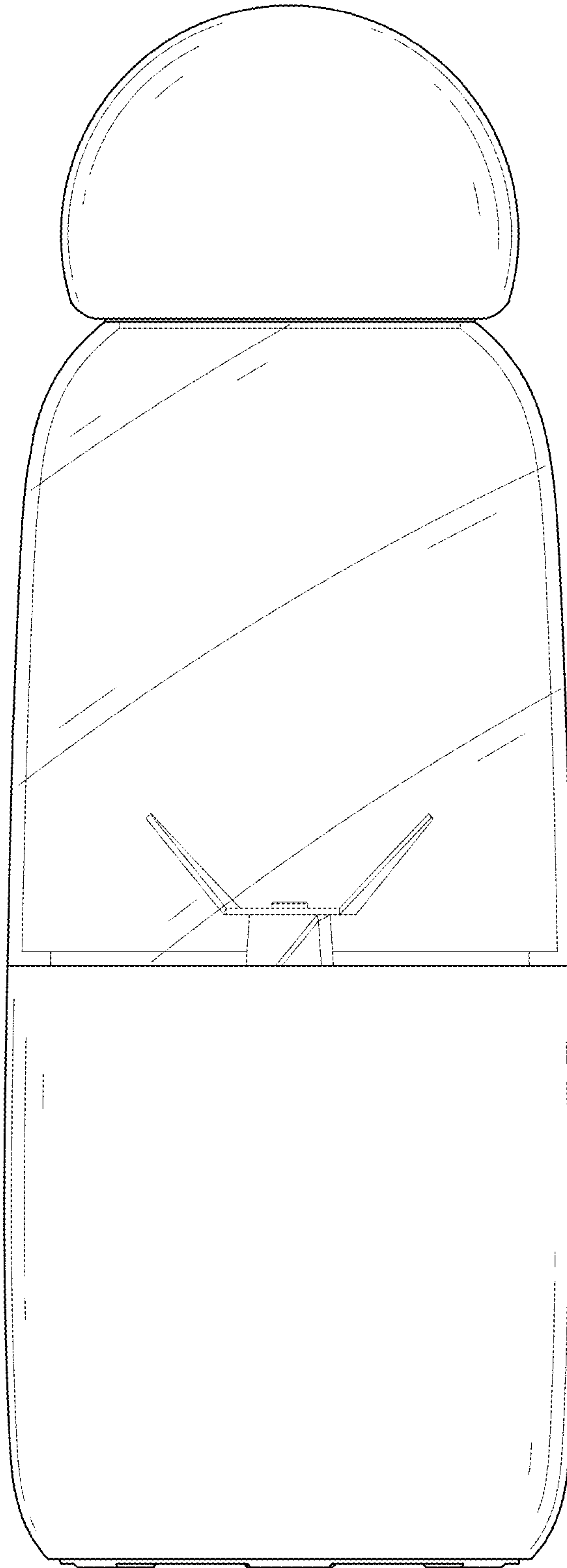


FIG. 5

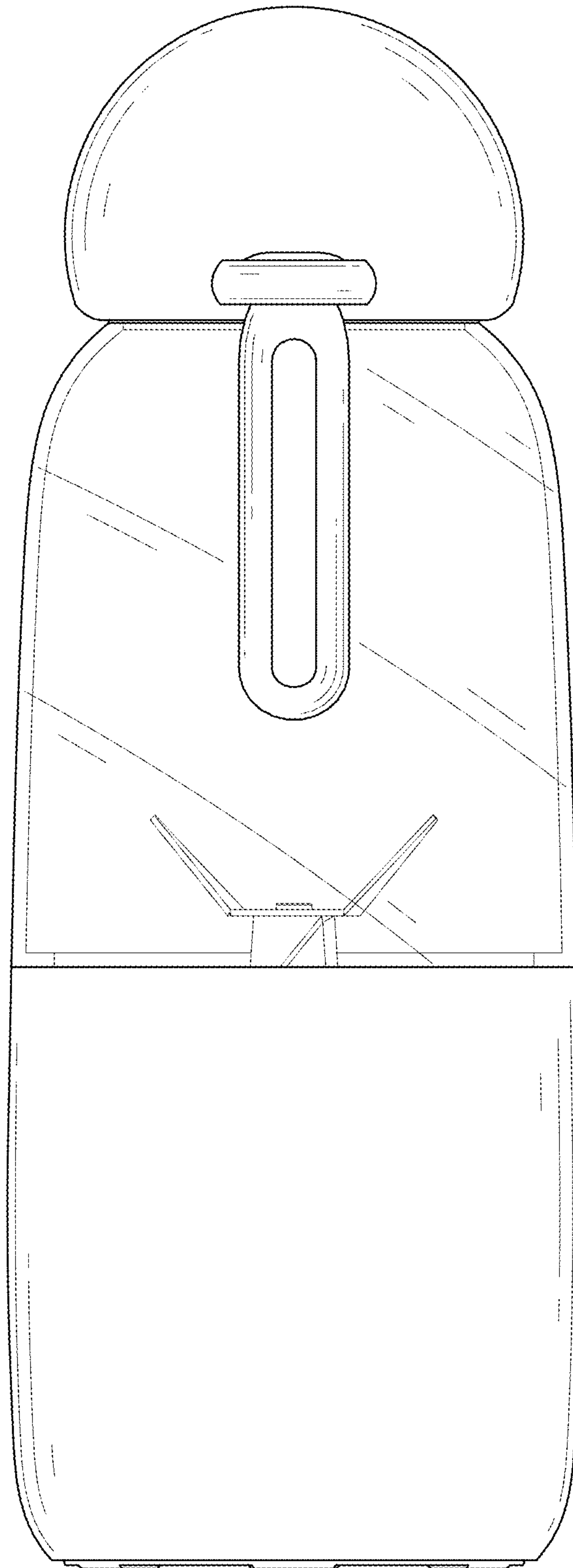


FIG. 6

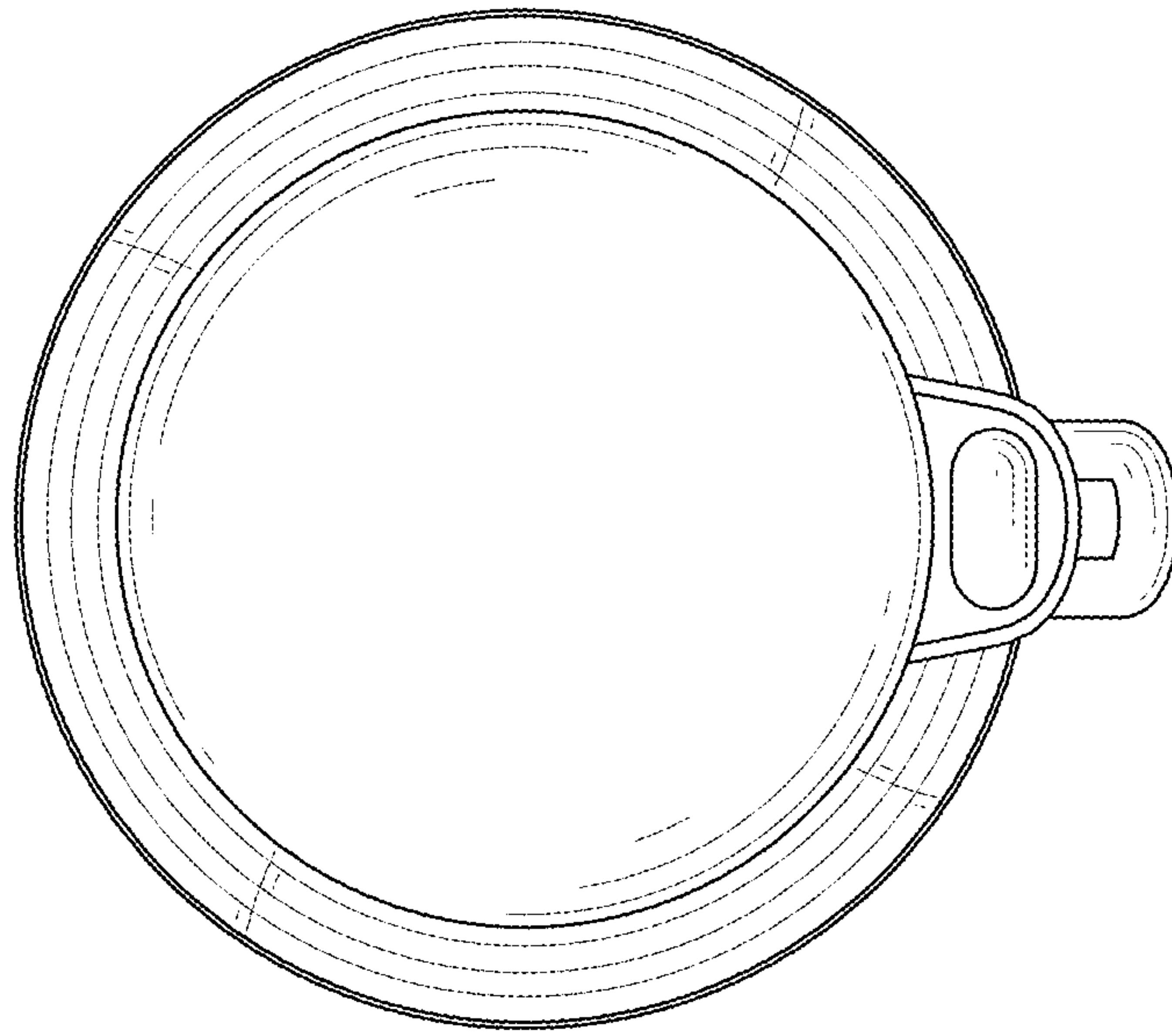


FIG. 7

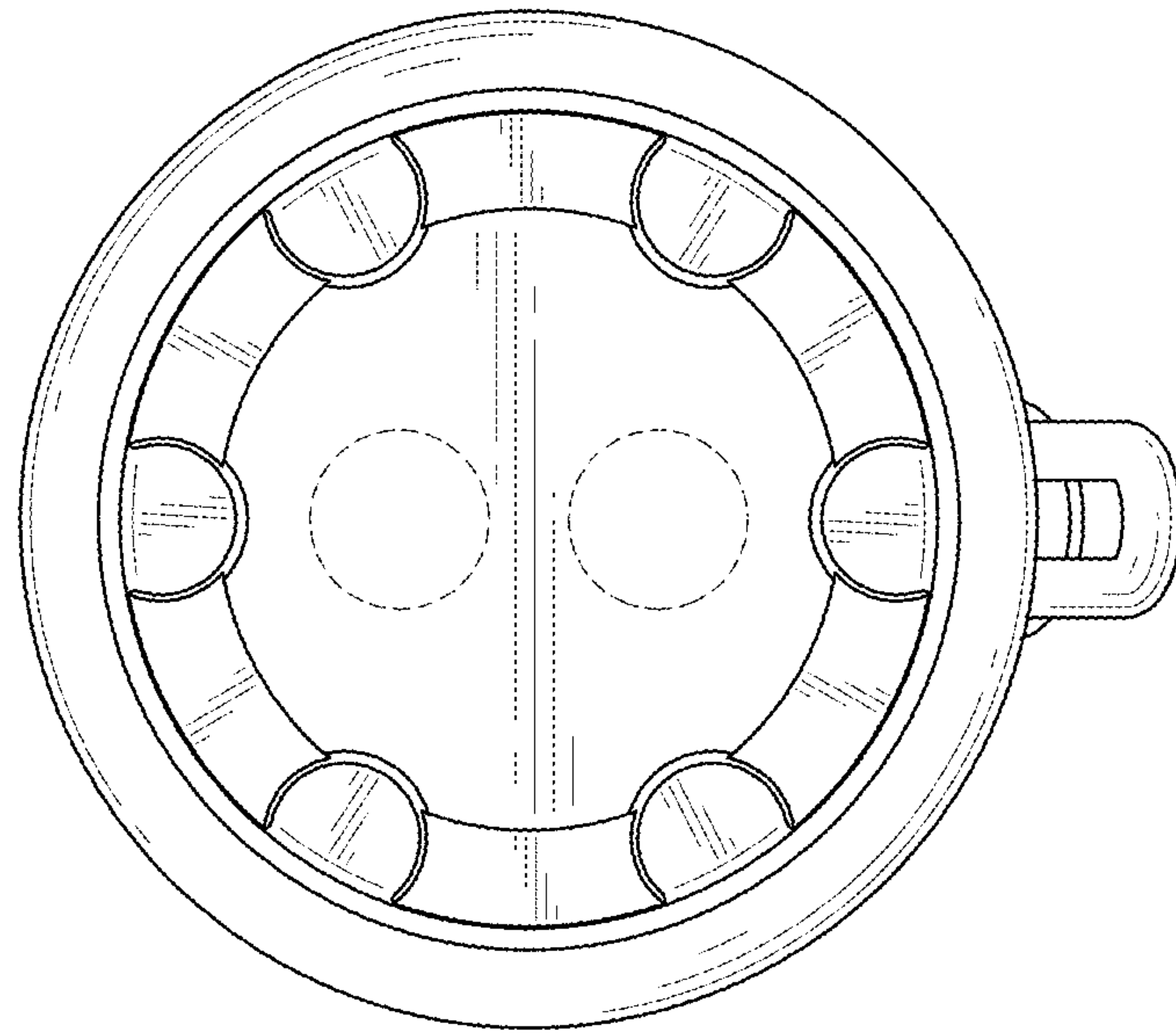


FIG. 8

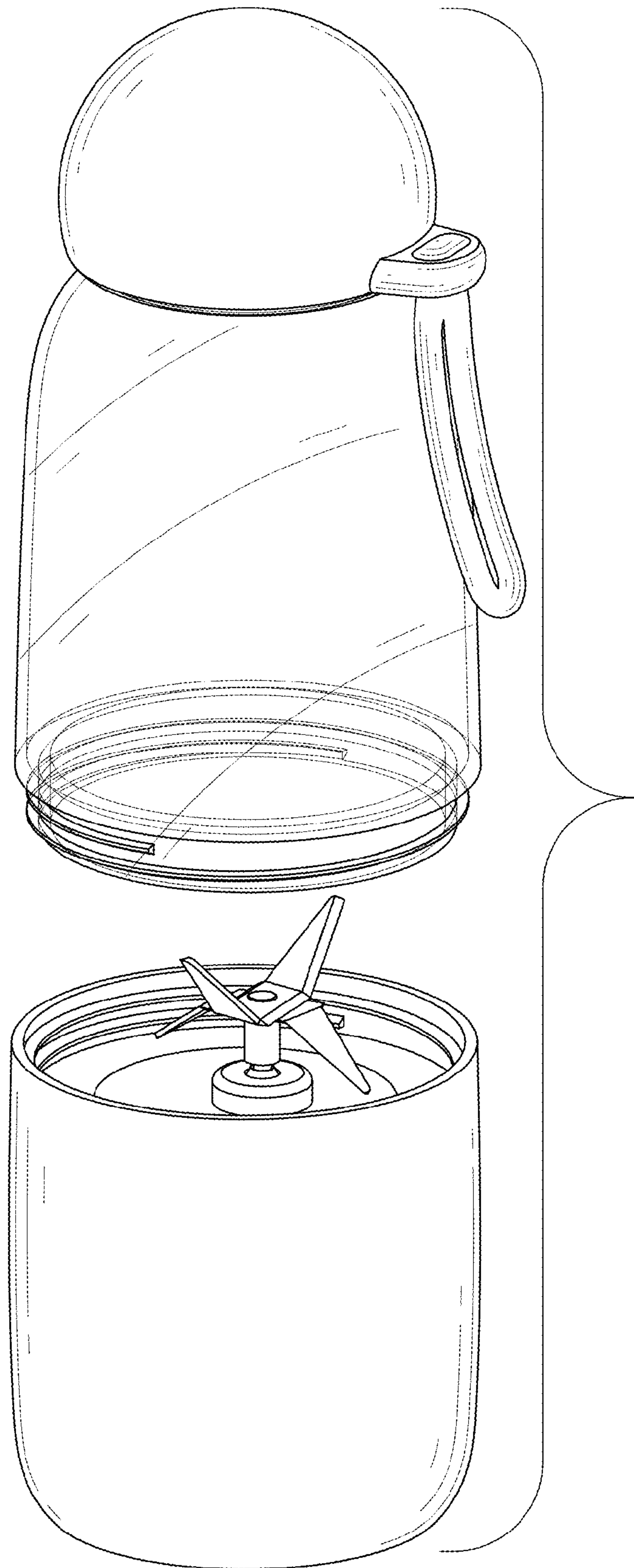


FIG. 9

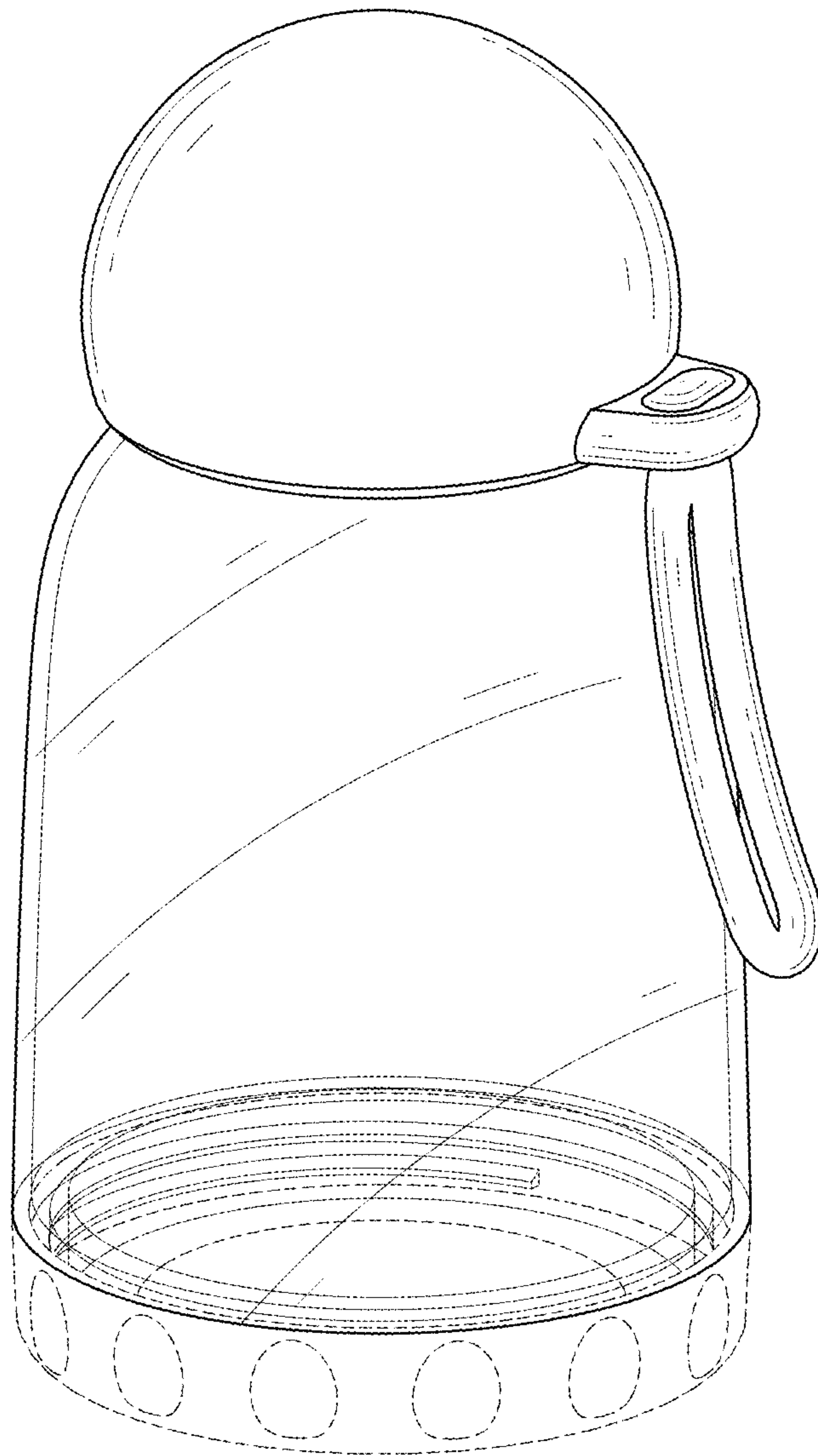


FIG. 10