



US00D871830S

(12) **United States Design Patent**
Nonaka

(10) **Patent No.:** **US D871,830 S**

(45) **Date of Patent:** **** Jan. 7, 2020**

- (54) **RICE MILLING MACHINE**
- (71) Applicant: **Satake Corporation**, Chiyoda-ku,
Tokyo (JP)
- (72) Inventor: **Kazuto Nonaka**, Tokyo (JP)
- (73) Assignee: **SATAKE CORPORATION**, Tokyo
(JP)
- (**) Term: **15 Years**
- (21) Appl. No.: **29/588,230**
- (22) Filed: **Dec. 19, 2016**
- (30) **Foreign Application Priority Data**

Jun. 27, 2016 (JP) 2016-013533

- (51) **LOC (12) Cl.** **31-00**
- (52) **U.S. Cl.**
USPC **D7/369**
- (58) **Field of Classification Search**
USPC D7/368-369, 669, 679, 372;
D15/123-126
CPC B02B 3/04; B02B 3/06; B02B 3/08; B02B
3/10; B02B 3/12; B02B 3/14; B02B 3/00;
B02B 7/00; B02B 7/02; B02C 1/00
See application file for complete search history.

(56) **References Cited**

U.S. PATENT DOCUMENTS

- 1,392,219 A * 9/1921 Prokopowicz B02C 11/08
209/233
- 1,889,183 A * 11/1932 Rosenfeld A01F 29/00
241/138
- 2,838,247 A * 6/1958 Wilhelm B02C 7/17
241/259
- 3,606,918 A * 9/1971 Sian B02B 3/02
241/257.1
- 4,357,864 A * 11/1982 Salet-Garces B02B 7/02
451/312

- 4,760,672 A * 8/1988 Darcangelo B24B 13/043
408/129
- 5,752,664 A * 5/1998 Satake B02B 3/04
241/257.1
- 5,875,978 A * 3/1999 Wingler B02C 7/11
241/259.1
- 6,070,815 A * 6/2000 Miyatake B02B 3/00
241/300
- D612,666 S * 3/2010 Lin D7/368
- D644,672 S * 9/2011 Kajihara D15/131
- D776,175 S * 1/2017 Lin D15/125
- D788,519 S * 6/2017 Lin D7/368
- D824,209 S * 7/2018 Lin D7/368

(Continued)

FOREIGN PATENT DOCUMENTS

- JP 07328458 A * 12/1995
- JP 1412960 4/2011

Primary Examiner — Barbara Fox

Assistant Examiner — Messina L Smith

(74) *Attorney, Agent, or Firm* — IpHorgan Ltd.

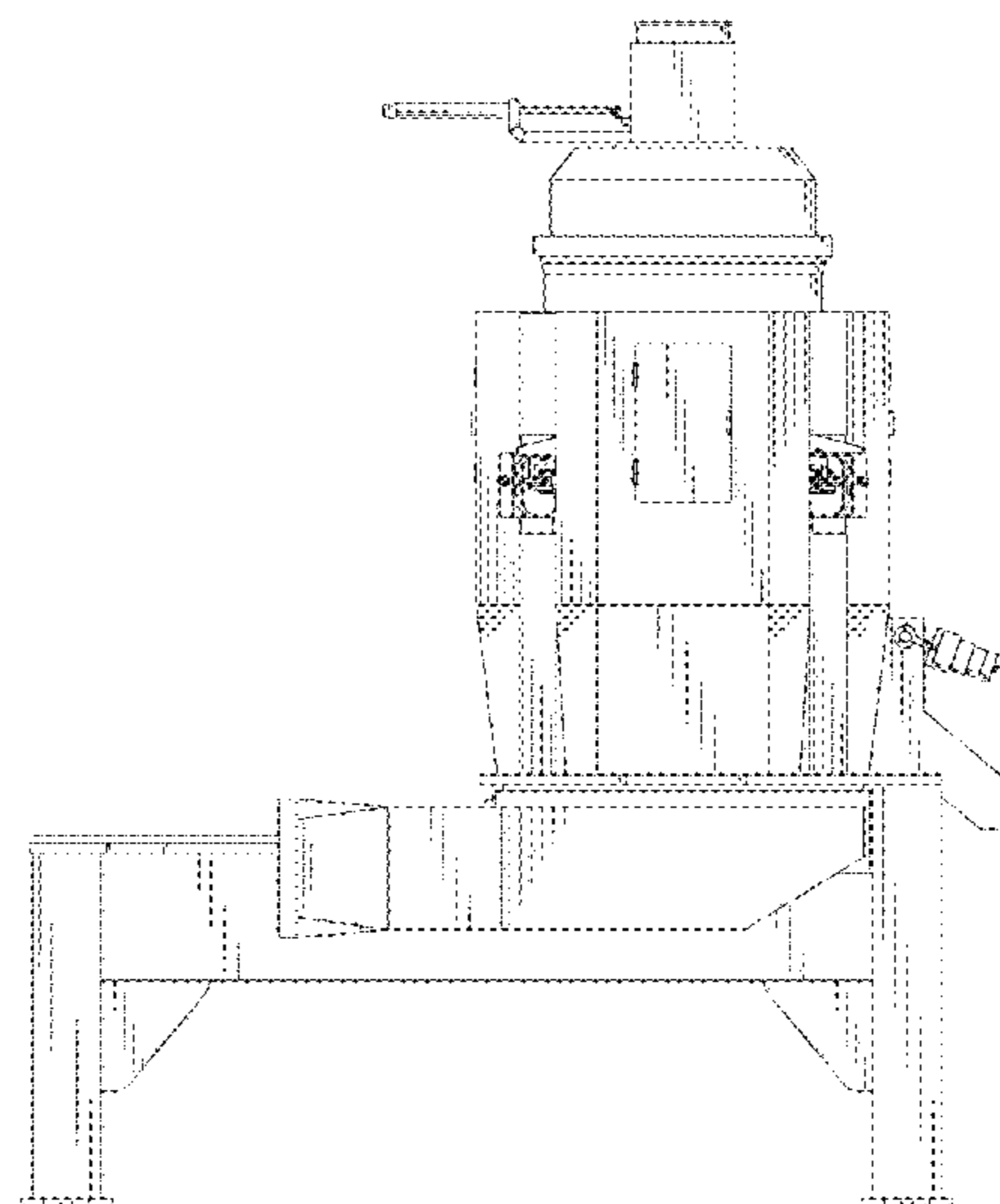
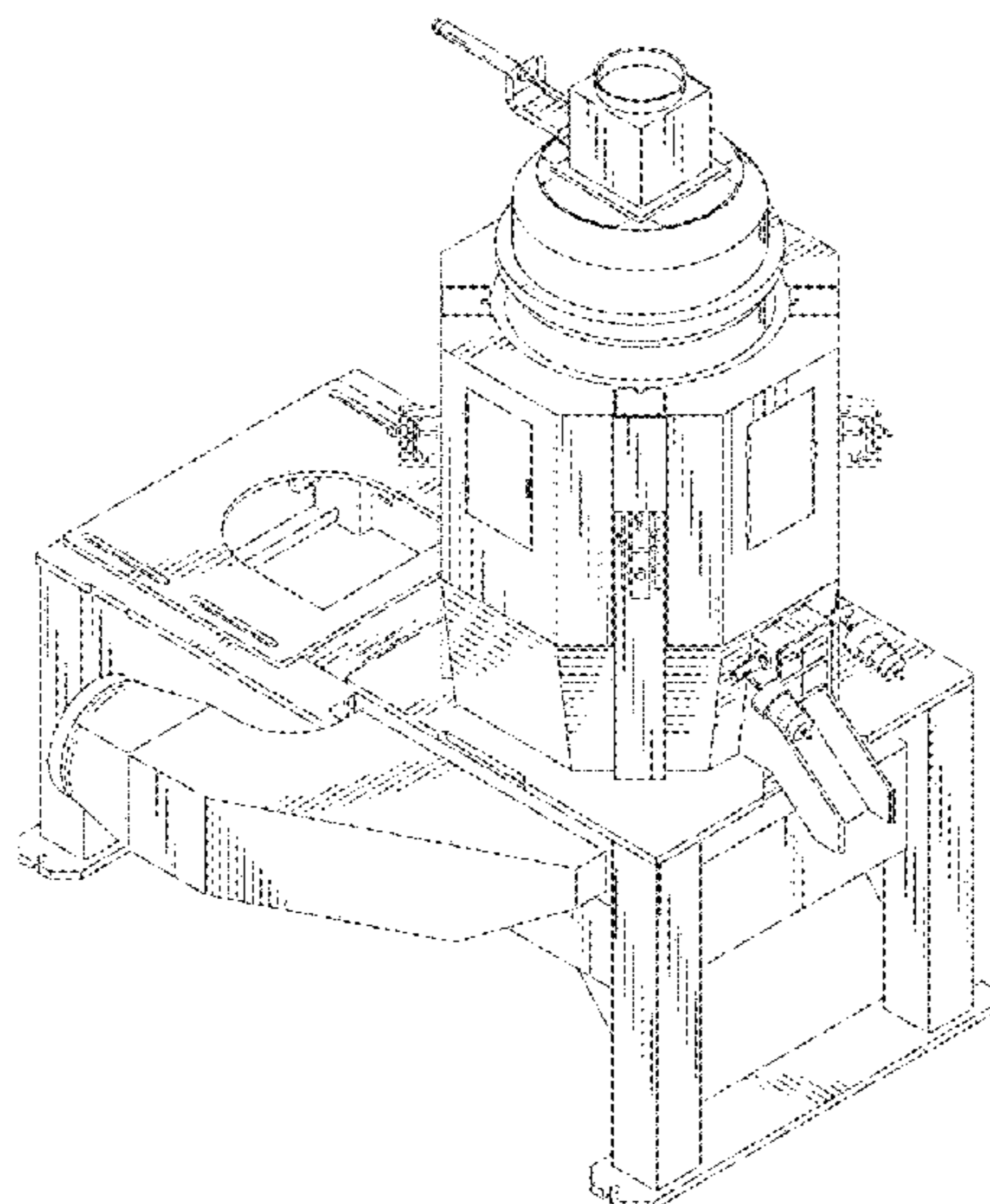
(57) **CLAIM**

The ornamental design for a rice milling machine, as shown and described.

DESCRIPTION

FIG. 1 is a perspective view of a rice milling machine showing the new design;
 FIG. 2 is a front view thereof;
 FIG. 3 is a rear view thereof;
 FIG. 4 is a left side view thereof;
 FIG. 5 is a right side view thereof;
 FIG. 6 is top plan view thereof; and,
 FIG. 7 is bottom plan view thereof.
 The portion of the machine shown in broken lines in FIG. 1 shows an interior part of the machine that forms no part of the claimed design.

1 Claim, 7 Drawing Sheets



(56)

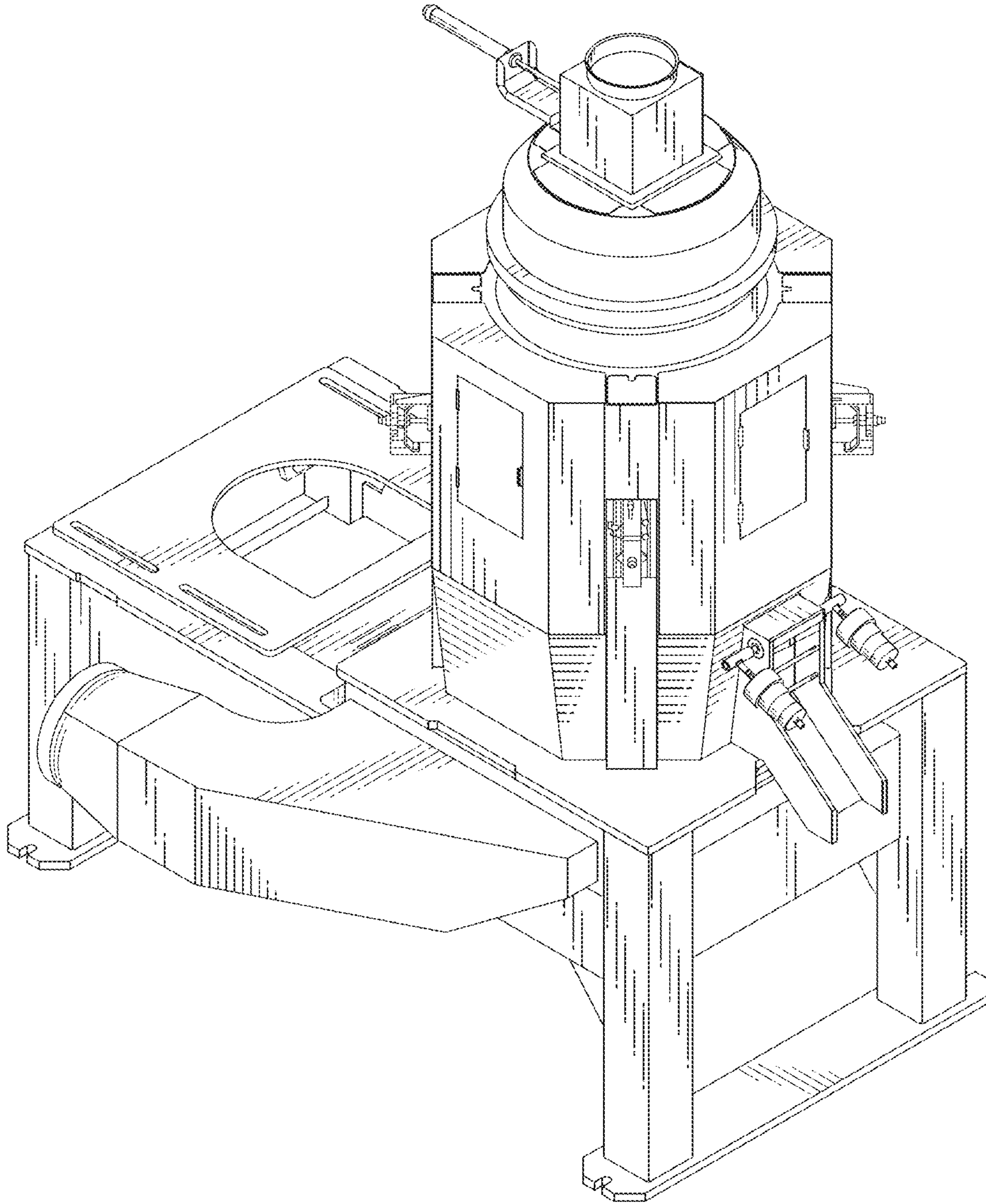
References Cited

U.S. PATENT DOCUMENTS

2004/0177772 A1* 9/2004 Ohno B02B 3/00
99/519
2014/0103153 A1* 4/2014 Below B02C 4/286
241/100
2014/0174302 A1* 6/2014 Seto B02B 3/04
99/607
2015/0122924 A1* 5/2015 Kajihara B02B 5/02
241/75
2015/0202628 A1* 7/2015 Matthews B02C 9/00
241/73
2018/0147789 A1* 5/2018 Cathcart B29C 65/40

* cited by examiner

FIG. 1



REPLACEMENT SHEET

2/7

FIG.2

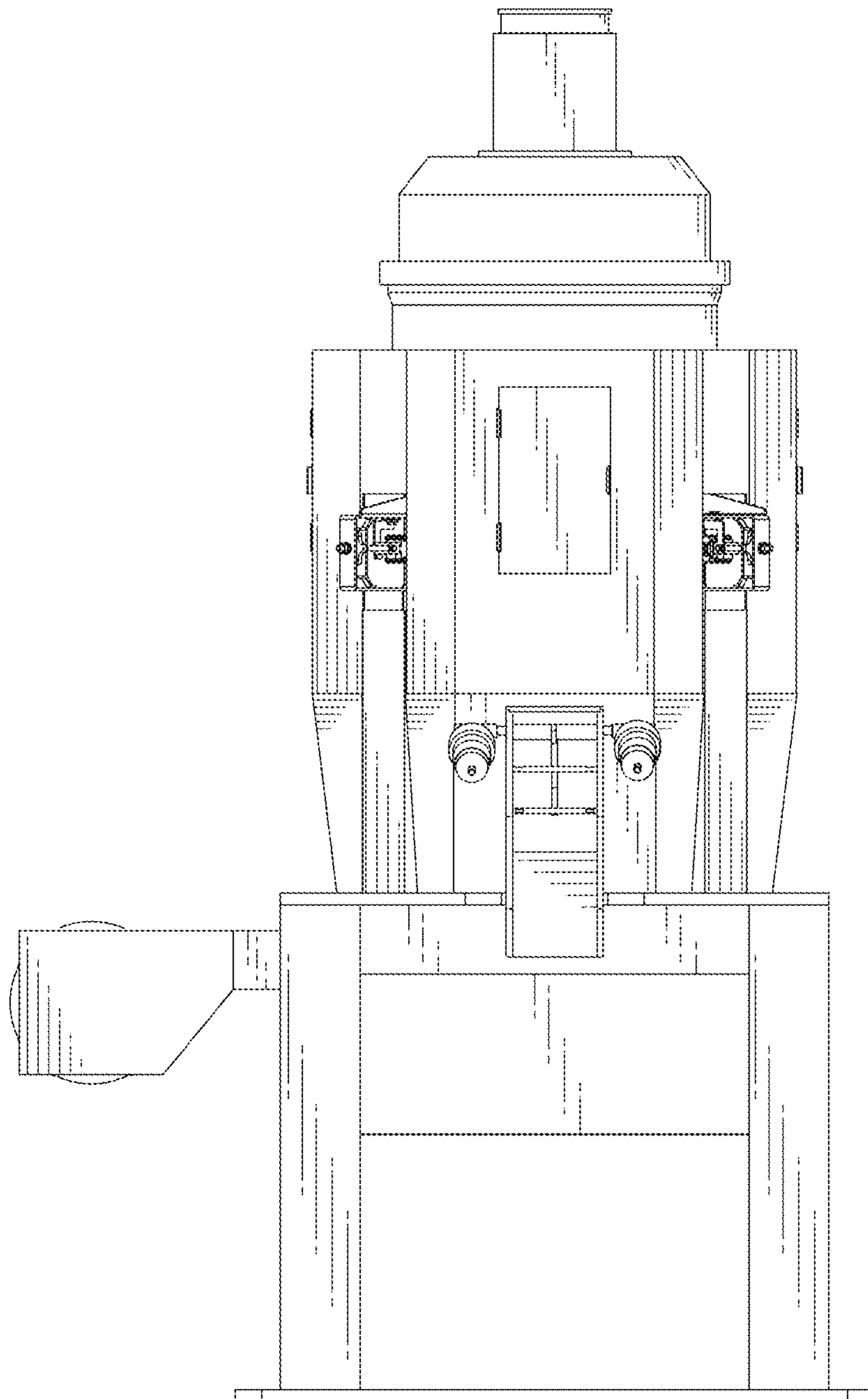


FIG.3

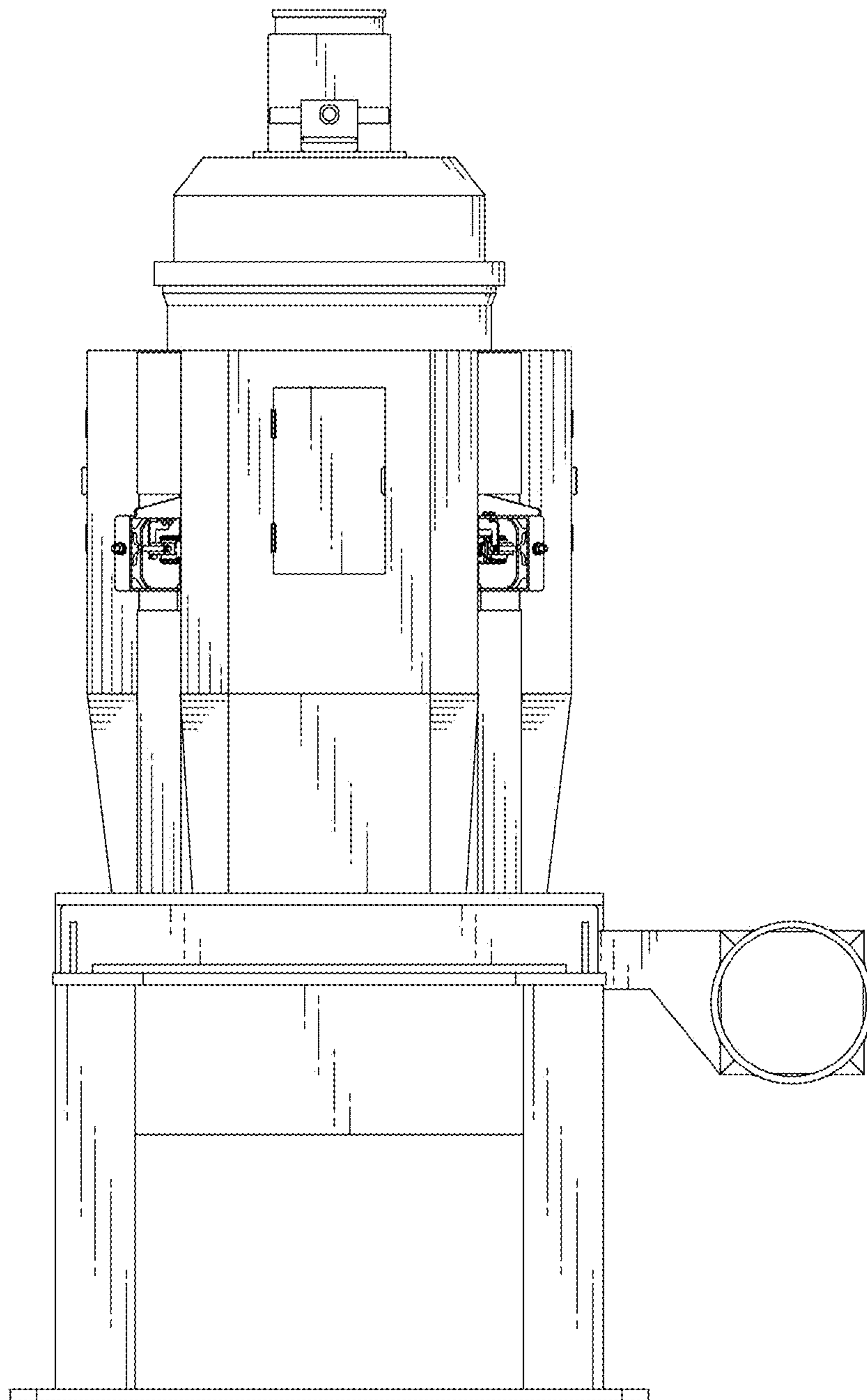


FIG.4

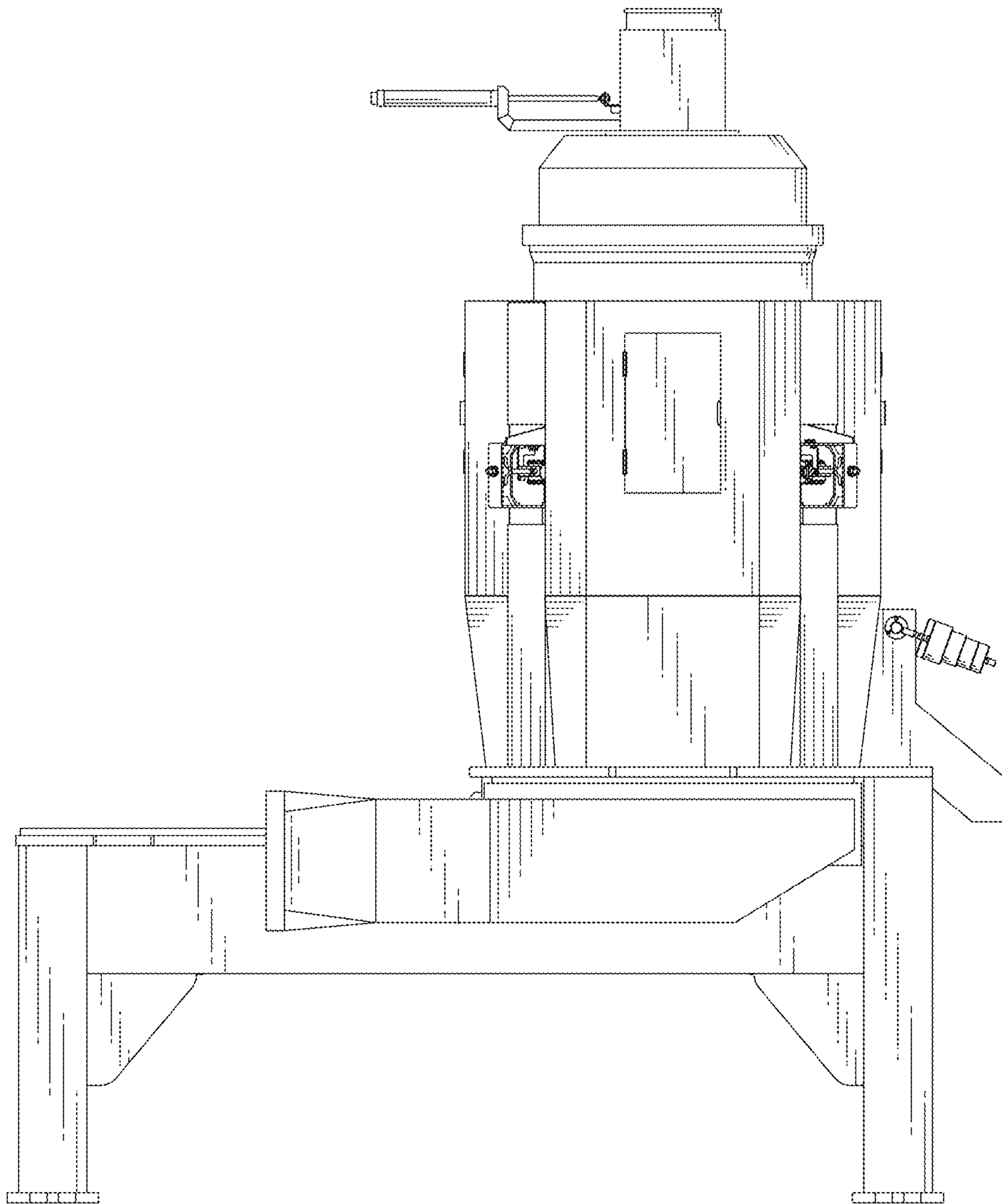


FIG.5

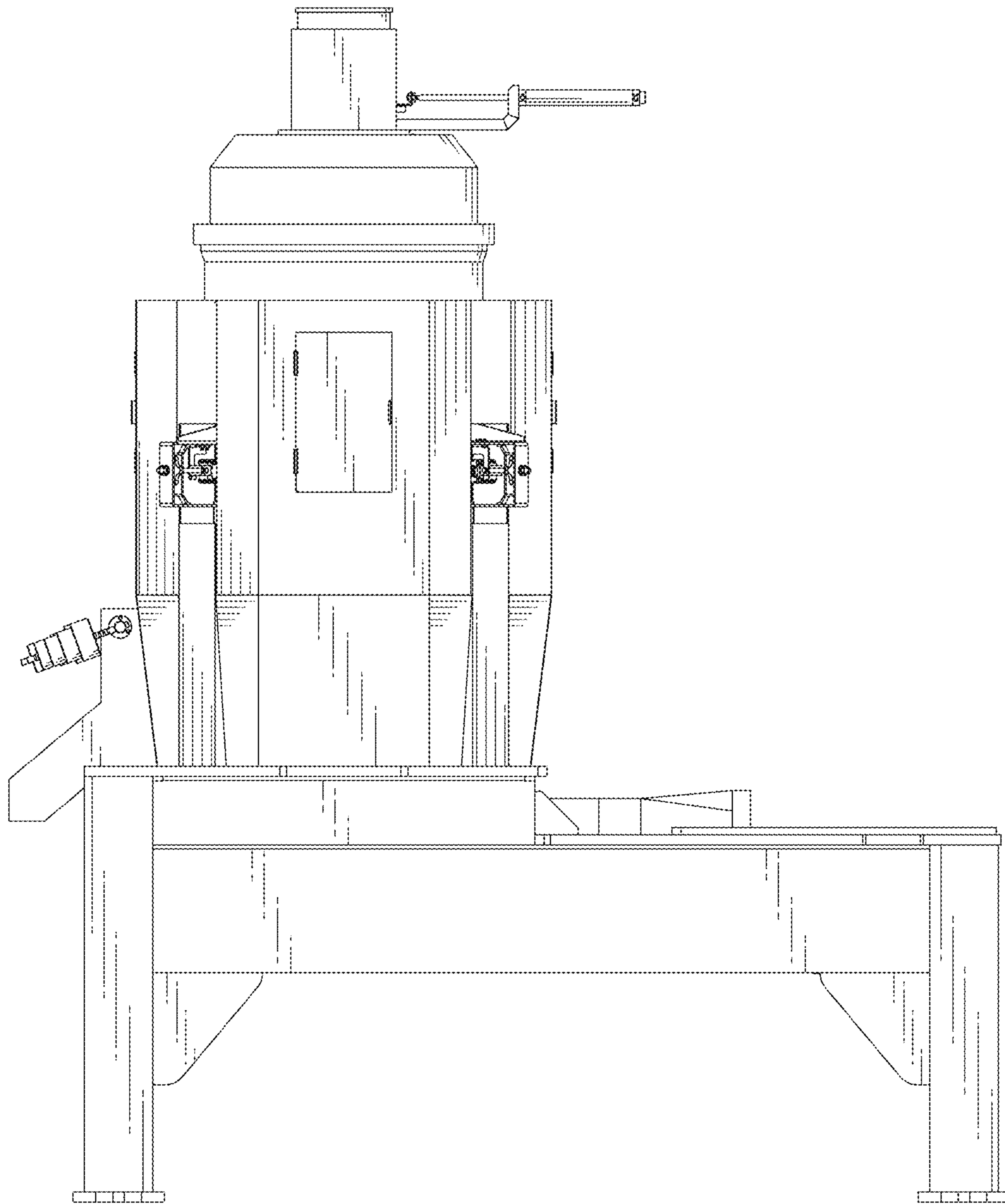


FIG.6

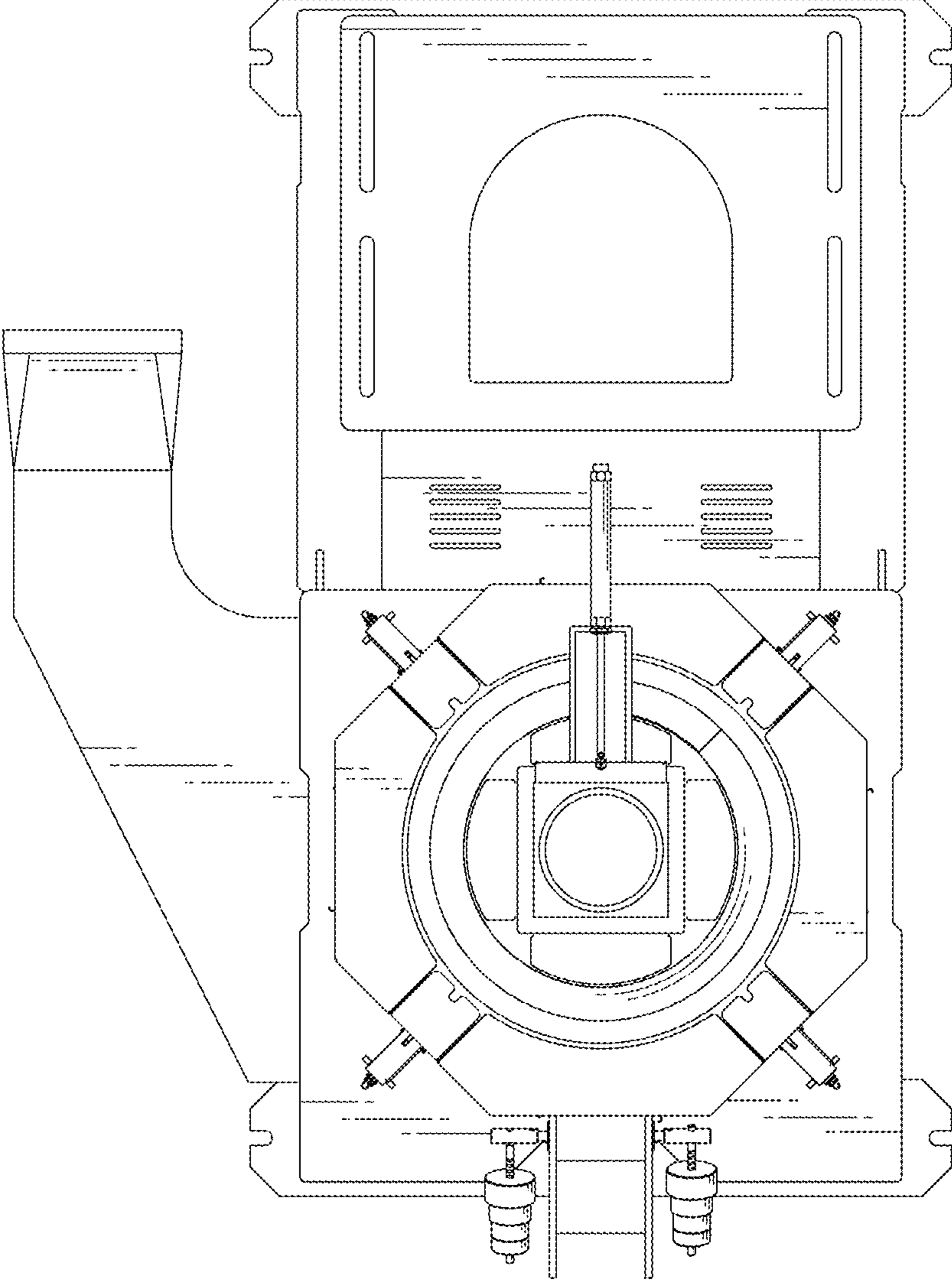


FIG. 7

