

US00D871829S

(12) **United States Design Patent**
Law et al.

(10) **Patent No.:** **US D871,829 S**
(45) **Date of Patent:** **** Jan. 7, 2020**

- (54) **HEART-SHAPED BAKING PAN AND BAKING PAN LID**
- (71) Applicants: **Andrew Jonathan Law**, Providence, RI (US); **Christina Maria Galvez**, Providence, RI (US)
- (72) Inventors: **Andrew Jonathan Law**, Providence, RI (US); **Christina Maria Galvez**, Providence, RI (US)

2,661,679	A *	12/1953	Van Guilder	A21B 3/13	249/139
3,141,400	A *	7/1964	Powers	A21B 3/13	249/82
D215,907	S *	11/1969	Little	D28/93	
D276,398	S *	11/1984	Conti	D7/354	
D360,112	S *	7/1995	McEntee	D7/545	
D384,554	S *	10/1997	Ancona	D7/505	
D488,741	S *	4/2004	Moya	D11/143	
D574,183	S *	8/2008	Broom	D7/354	
D770,845	S *	11/2016	Quinn	D7/354	
2005/0005779	A1 *	1/2005	Morgan	A21B 3/13	99/426

(**) Term: **15 Years**

(21) Appl. No.: **29/655,748**

(22) Filed: **Jul. 6, 2018**

(51) **LOC (12) Cl.** **07-02**

(52) **U.S. Cl.**
USPC **D7/359; D7/354**

(58) **Field of Classification Search**
USPC D7/323, 354-361, 505, 540, 543, 545, D7/549, 550.1, 553.1-553.8, 554.1-554.4, D7/555, 584, 586; D9/430-433, D9/455-456, 737, 756-762; D11/143; D28/93
CPC A21B 3/00; A21B 3/13; A21B 3/15; A21B 3/134; A21B 5/00; A21B 5/02; A47J 36/022; A47J 36/025; A47J 36/027; A47J 37/00; A47J 37/04; B65D 1/22; B65D 1/24; B65D 1/34; B65D 1/36; B65D 81/343; B65D 85/36
See application file for complete search history.

(56) **References Cited**

U.S. PATENT DOCUMENTS

1,547,424	A *	7/1925	Leucht	A21B 3/13	249/77
2,203,091	A *	6/1940	Hutchinson	A21B 3/13	249/77
2,290,396	A *	7/1942	Webster	A21B 3/13	249/66.1

* cited by examiner

Primary Examiner — Ricky Pham

(74) *Attorney, Agent, or Firm* — Joseph D. Holder

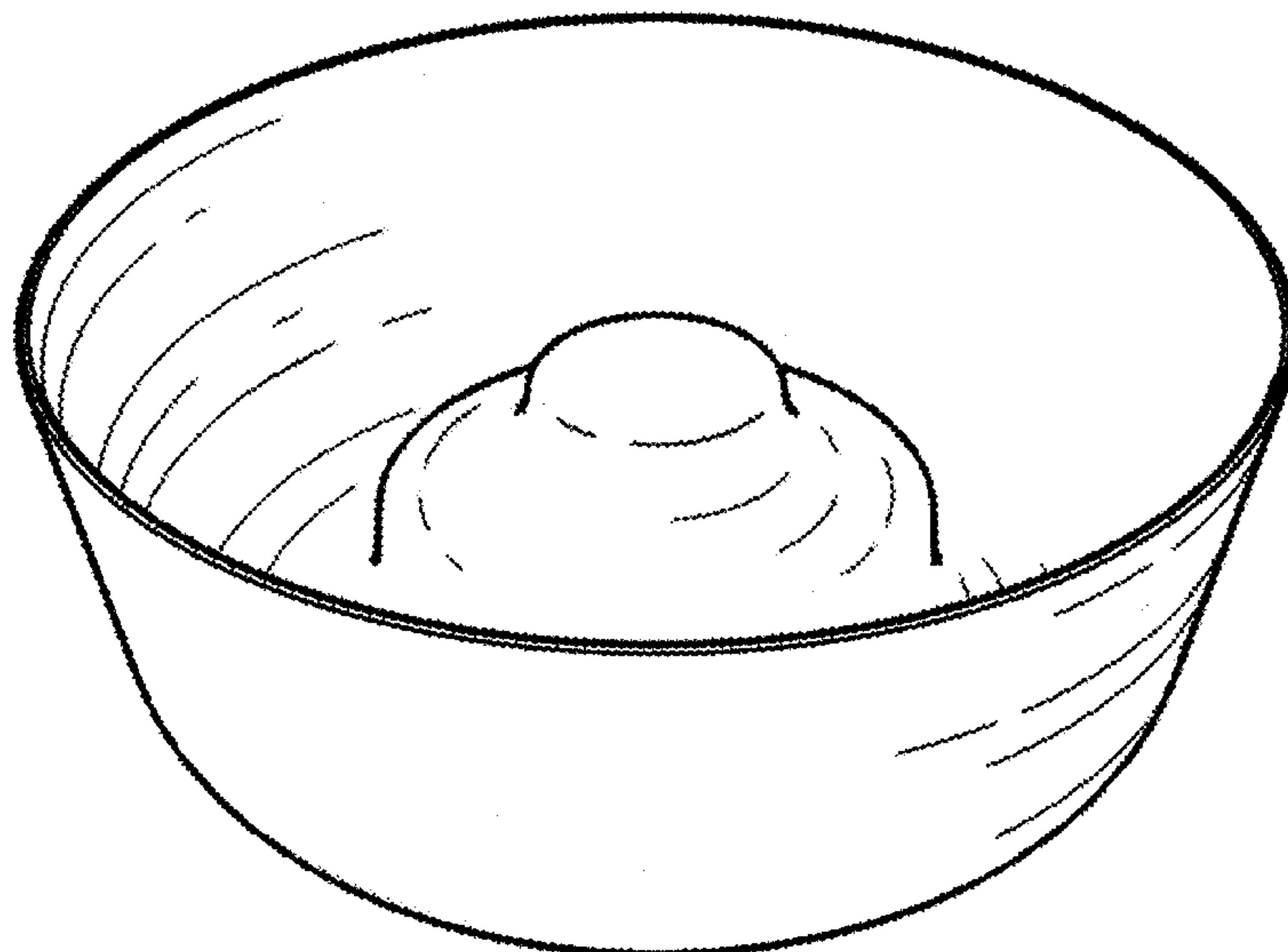
(57) **CLAIM**

The ornamental design for a heart-shaped baking pan and baking pan lid, as shown and described.

DESCRIPTION

FIG. 1 is a top front view of a heart-shaped baking pan, the top rear view being a mirror image thereof;
 FIG. 2 is a top front view of the inverted heart-shaped baking pan shown in FIG. 1, the top rear view being a mirror image thereof;
 FIG. 3 is a top front view of a baking pan lid, the top rear view being a mirror image thereof;
 FIG. 4 is a top front view of the inverted baking pan lid shown in FIG. 3, the top rear view being a mirror image thereof;
 FIG. 5 is a top front view of the baking pan lid covering the heart-shaped baking pan, the top rear view being a mirror image thereof; and,
 FIG. 6 is a front cross-sectional view of the baking pan lid and heart-shaped baking pan shown in FIG. 5. The lid and pan form a torus cavity with a heart-shaped cross-section.

1 Claim, 5 Drawing Sheets



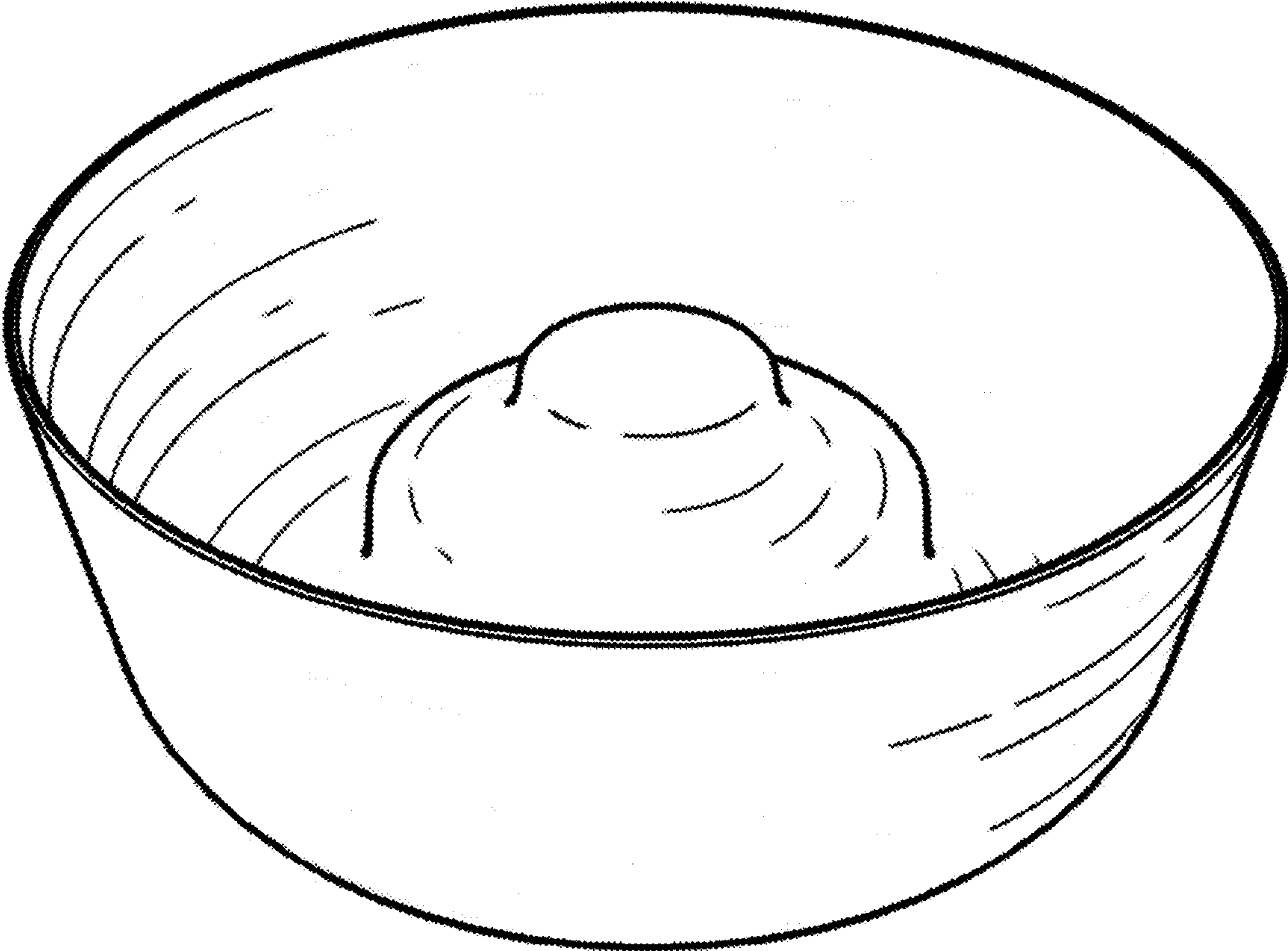


Figure 1

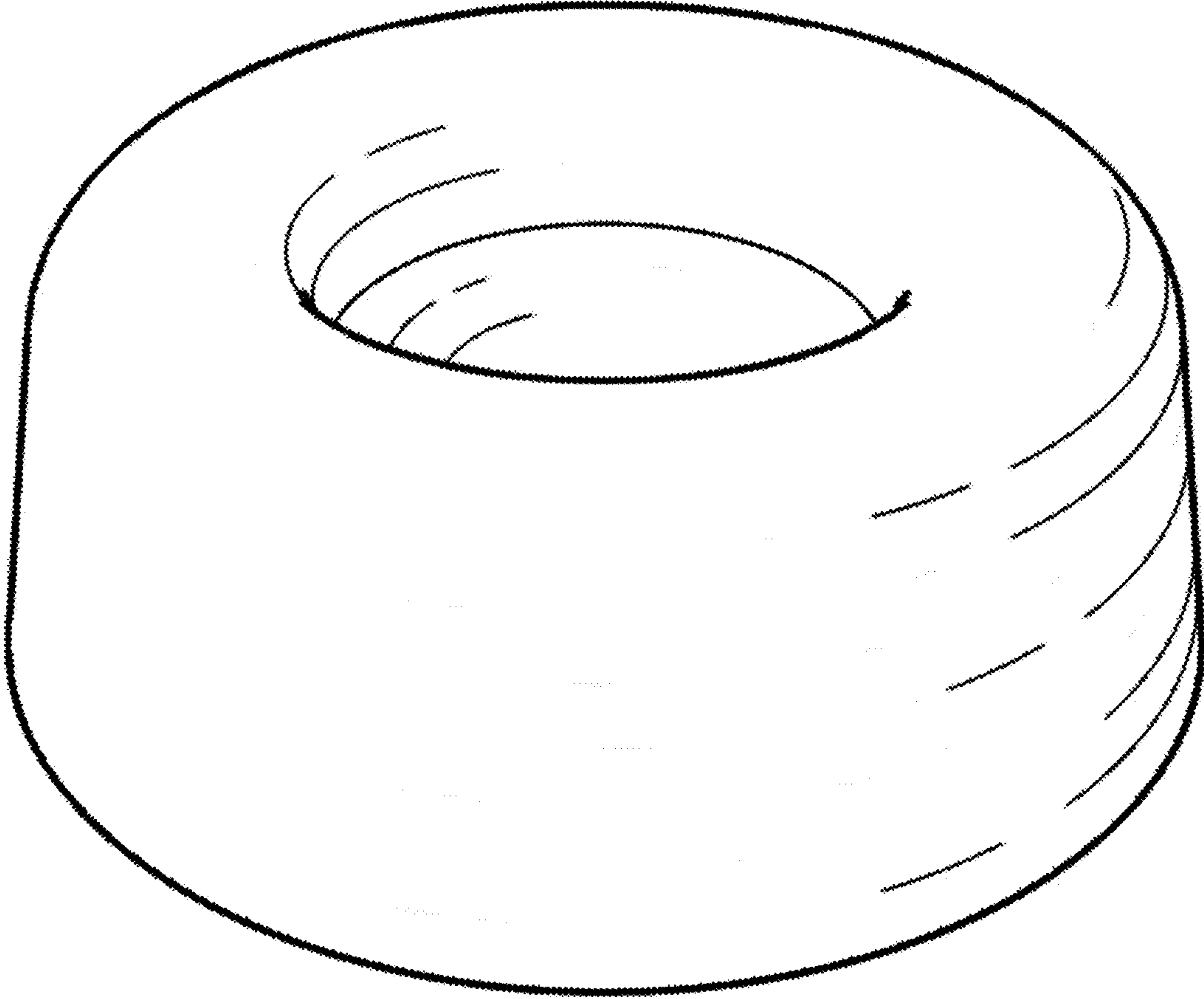


Figure 2

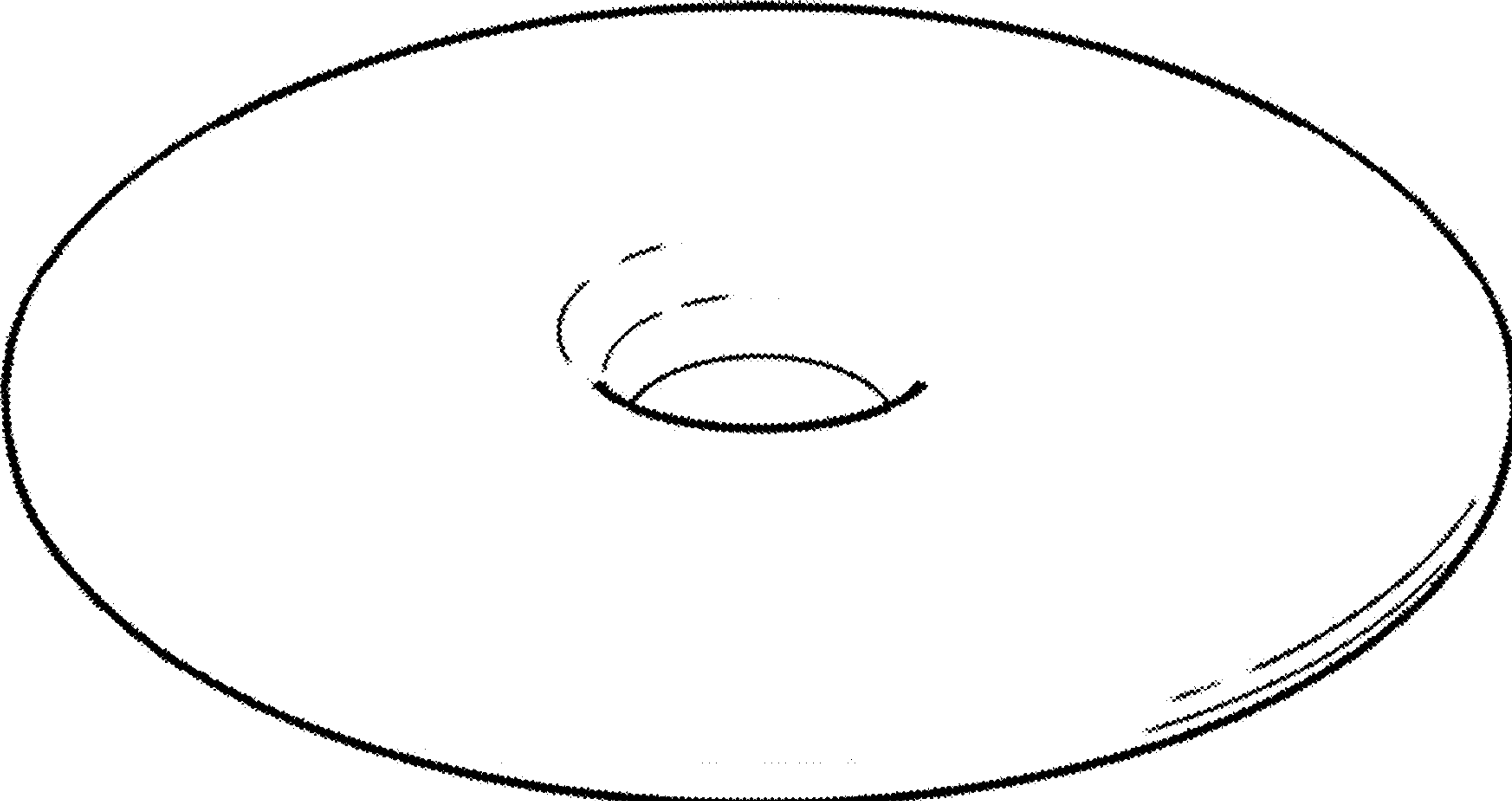


Figure 3

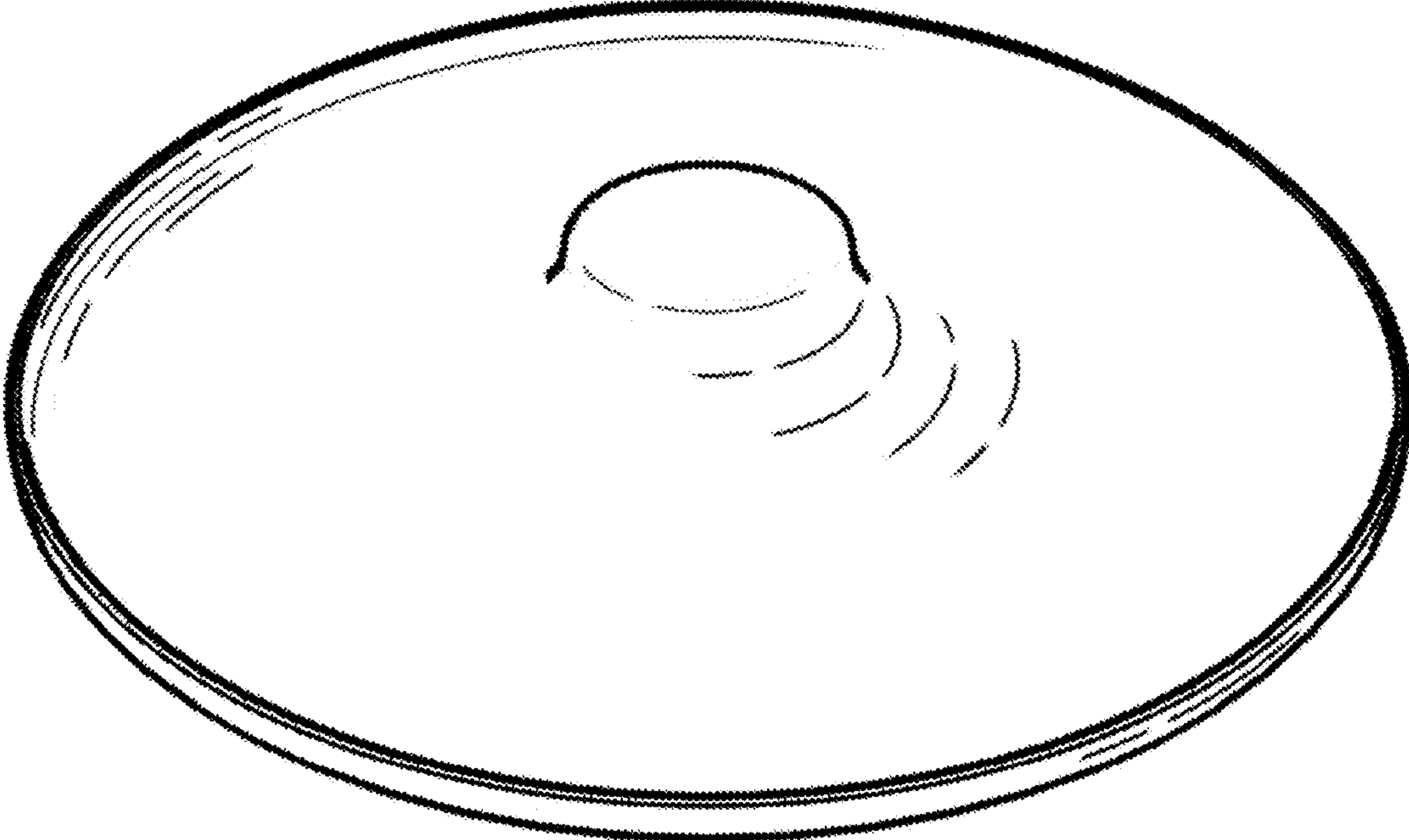


Figure 4

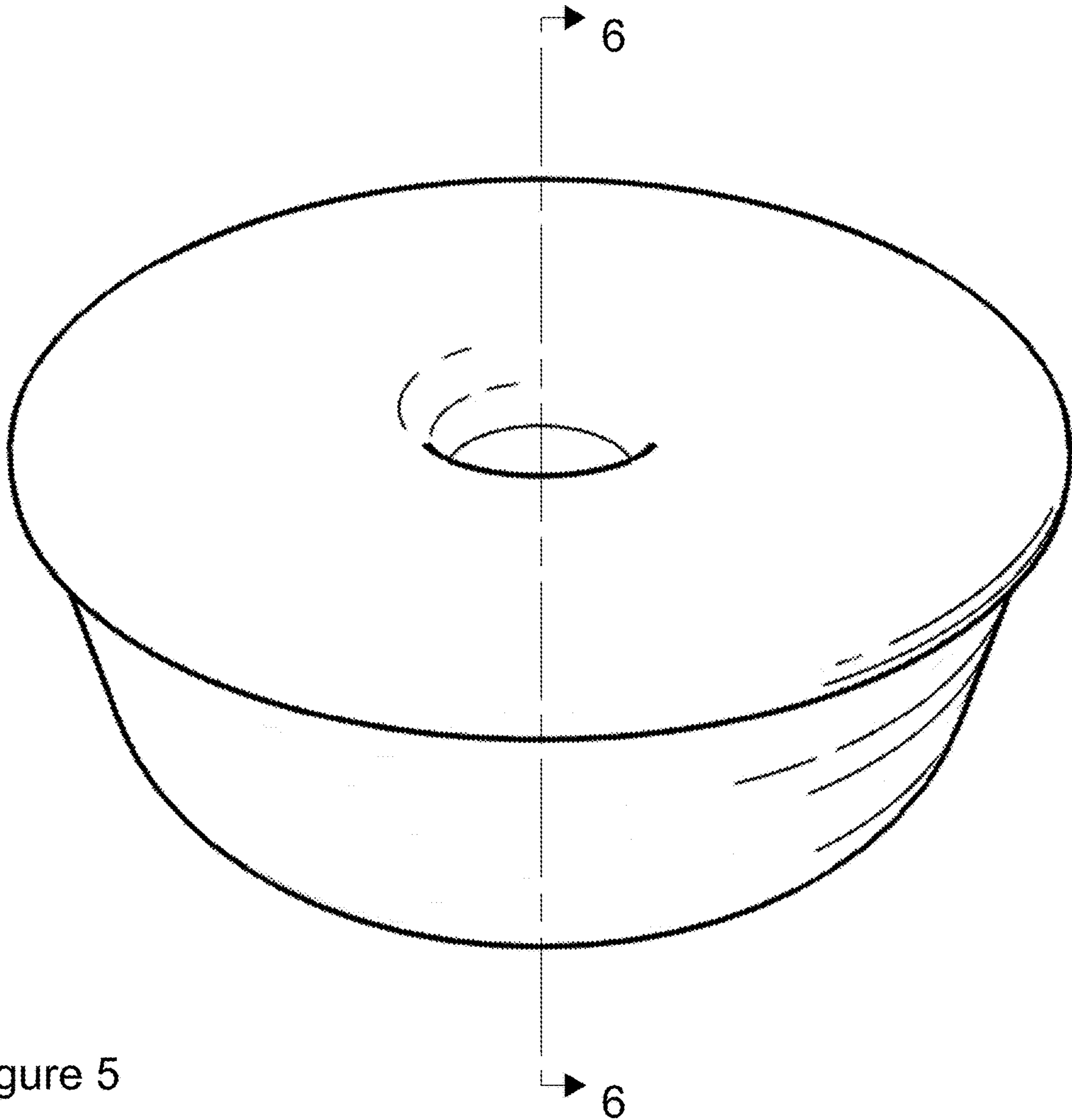


Figure 5

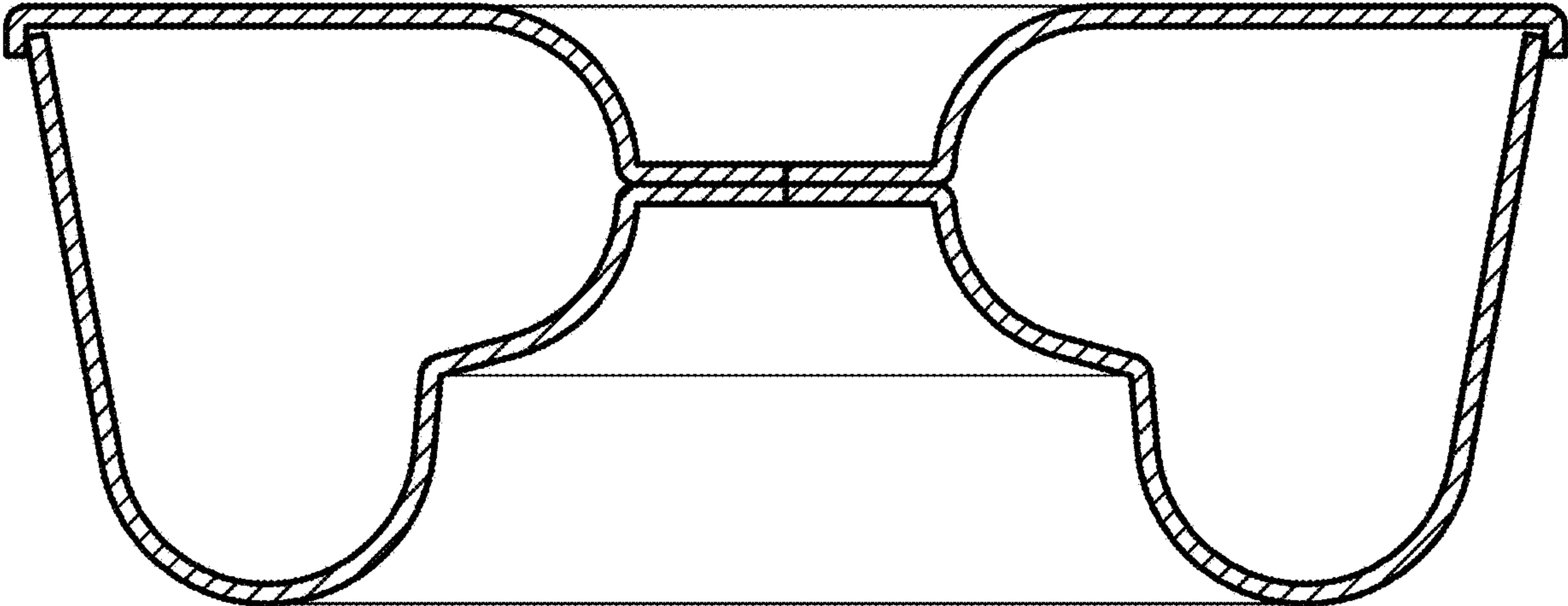


Figure 6

UNITED STATES PATENT AND TRADEMARK OFFICE
CERTIFICATE OF CORRECTION

PATENT NO. : D871,829 S
APPLICATION NO. : 29/655748
DATED : January 7, 2020
INVENTOR(S) : Andrew Jonathon Law and Christina Maria Galvez

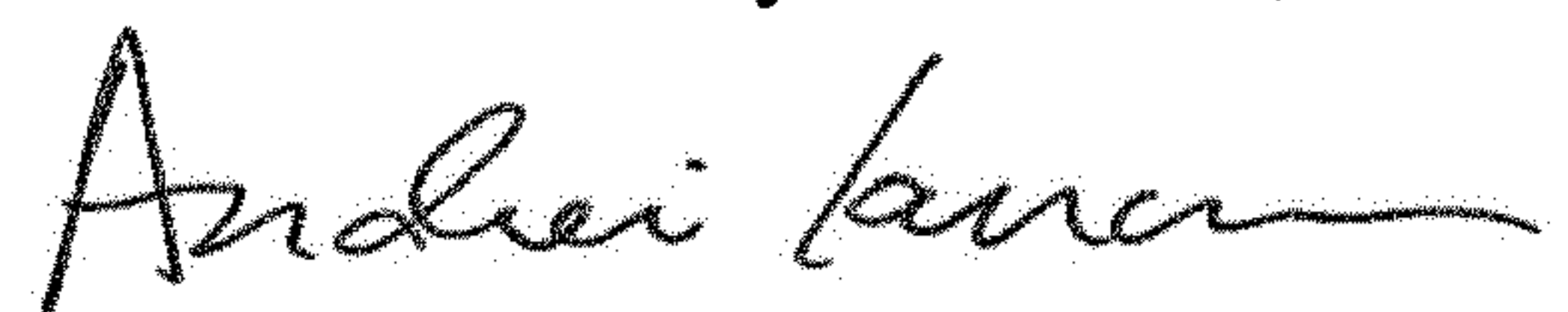
Page 1 of 1

It is certified that error appears in the above-identified patent and that said Letters Patent is hereby corrected as shown below:

On the Title Page

Attorney's last is name is spelled incorrectly. The correct spelling is Hodler.

Signed and Sealed this
Seventeenth Day of March, 2020



Andrei Iancu
Director of the United States Patent and Trademark Office