



US00D871828S

(12) **United States Design Patent**
Tan

(10) **Patent No.:** **US D871,828 S**

(45) **Date of Patent:** **** Jan. 7, 2020**

(54) **COOKER**

(56)

References Cited

(71) Applicants: **FOSHAN SHUNDE MIDEA ELECTRICAL HEATING APPLIANCES MANUFACTURING CO., LTD., Foshan (CN); MIDEA GROUP CO., LTD., Foshan (CN)**

U.S. PATENT DOCUMENTS

4,148,250 A *	4/1979	Miki	A47J 36/06 220/374
D285,644 S *	9/1986	Kitakaze	D7/358
D549,517 S *	8/2007	Moran	D7/358
D641,203 S *	7/2011	Josancy	D7/354
D711,182 S *	8/2014	Roussard	D7/354
D728,301 S *	5/2015	Hack	D7/368
D770,220 S *	11/2016	Chung	D7/354
D770,843 S *	11/2016	Chung	A47J 36/06 D7/354
D770,844 S *	11/2016	Chung	D7/354
D802,987 S *	11/2017	Corlay	D7/358
D838,546 S *	1/2019	Wang	D7/406
D846,335 S *	4/2019	Yang	D7/358
D846,336 S *	4/2019	Hoenderdos	D7/358

(72) Inventor: **Mao Tan, Foshan (CN)**

(73) Assignee: **FOSHAN SHUNDE MIDEA ELECTRICAL HEATING APPLIANCES MANUFACTURING CO., LTD., Foshan (CN)**

(**) Term: **15 Years**

* cited by examiner

(21) Appl. No.: **29/655,971**

Primary Examiner — Ricky Pham

(22) Filed: **Jul. 9, 2018**

(74) *Attorney, Agent, or Firm* — Morgan, Lewis & Bockius LLP

(30) **Foreign Application Priority Data**

Feb. 1, 2018 (CN) 2018 3 0049429

(51) **LOC (12) Cl.** **07-02**

(52) **U.S. Cl.**
USPC **D7/358; D7/354**

(57)

CLAIM

The ornamental design for a cooker, as shown and described.

(58) **Field of Classification Search**

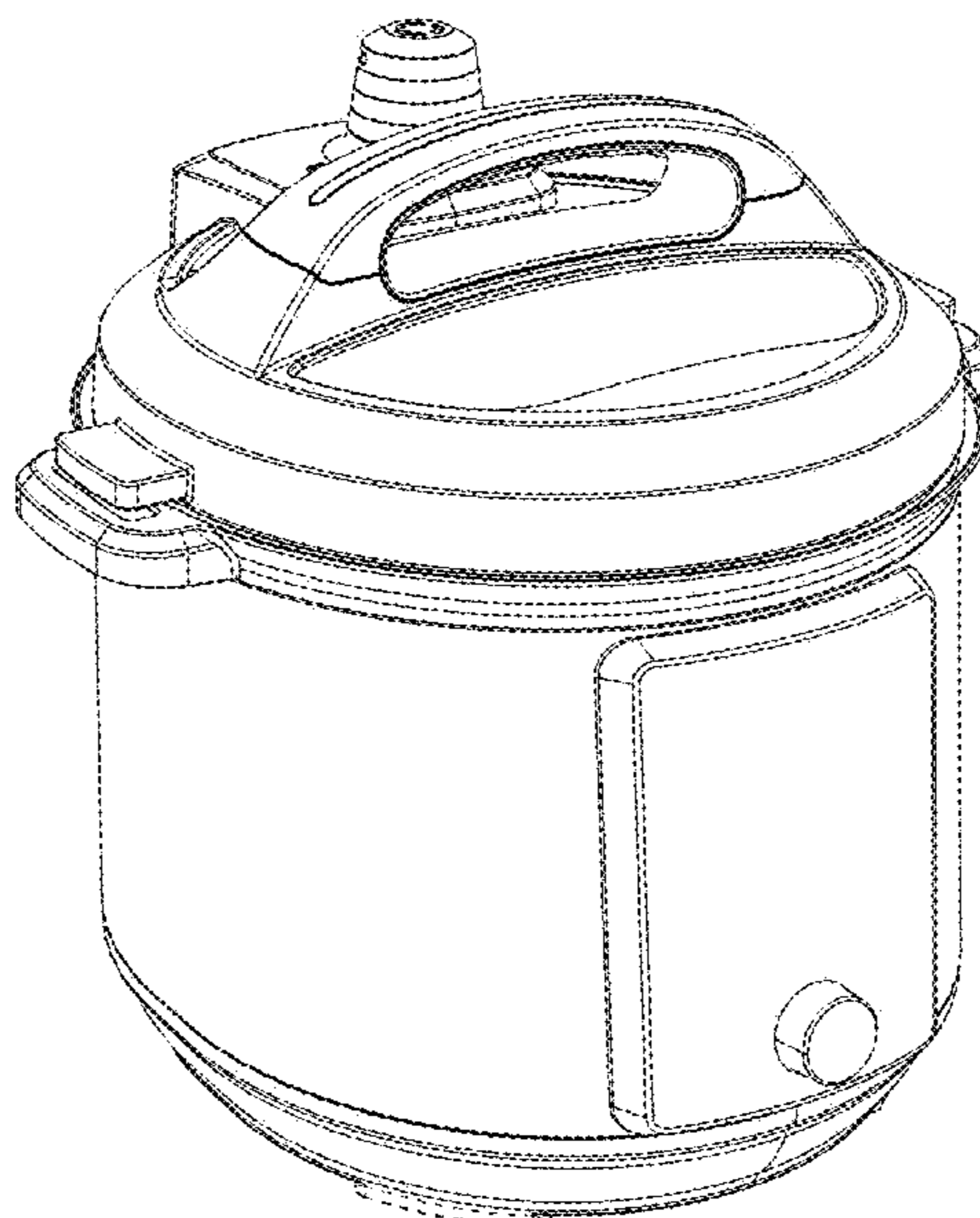
USPC D7/323, 354–361, 368, 391, 393, 406
CPC A47J 27/00; A47J 27/004; A47J 27/08;
A47J 27/0802; A47J 27/0804; A47J
27/0811; A47J 27/0813; A47J 27/0815;
A47J 27/0817; A47J 27/084; A47J 27/09;
A47J 27/092; A47J 36/025; A47J 36/06;
A47J 37/12; A47J 37/1204; A47J
37/1209; A47J 45/07; A47J 45/071; A47J
45/074; A47J 45/08; B01D 2201/345;
B01J 3/03; B01J 3/04; F01P 2011/0247;
F01P 2011/0252; H05B 6/00; H05B 6/02;
H05B 6/06

DESCRIPTION

FIG. 1 is a front perspective view of a cooker showing my new design;
FIG. 2 is front elevational view thereof;
FIG. 3 is back elevational view thereof;
FIG. 4 is left elevational view thereof;
FIG. 5 is right elevational view thereof; and,
FIG. 6 is a top plan view thereof.

See application file for complete search history.

1 Claim, 6 Drawing Sheets



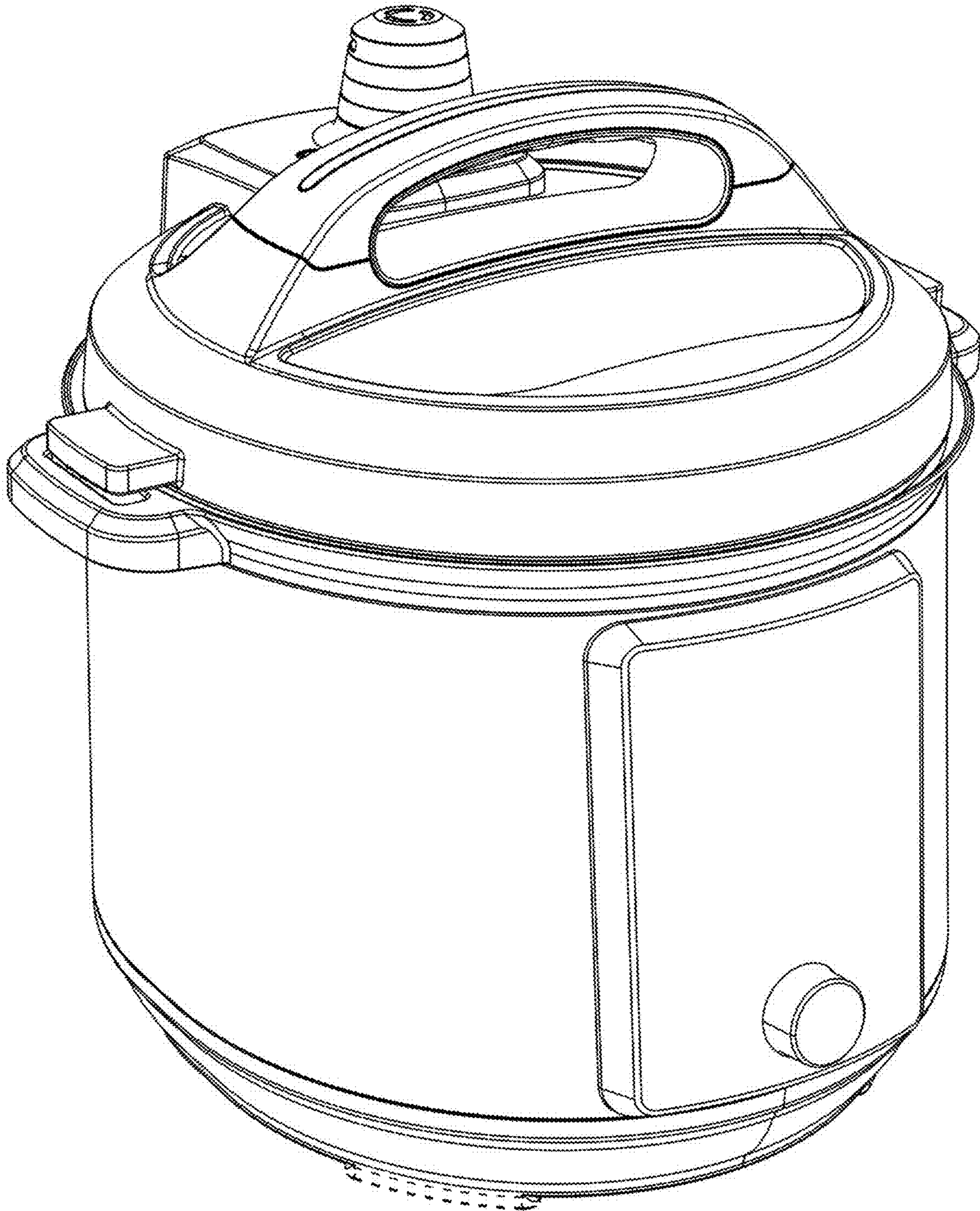


Figure 1

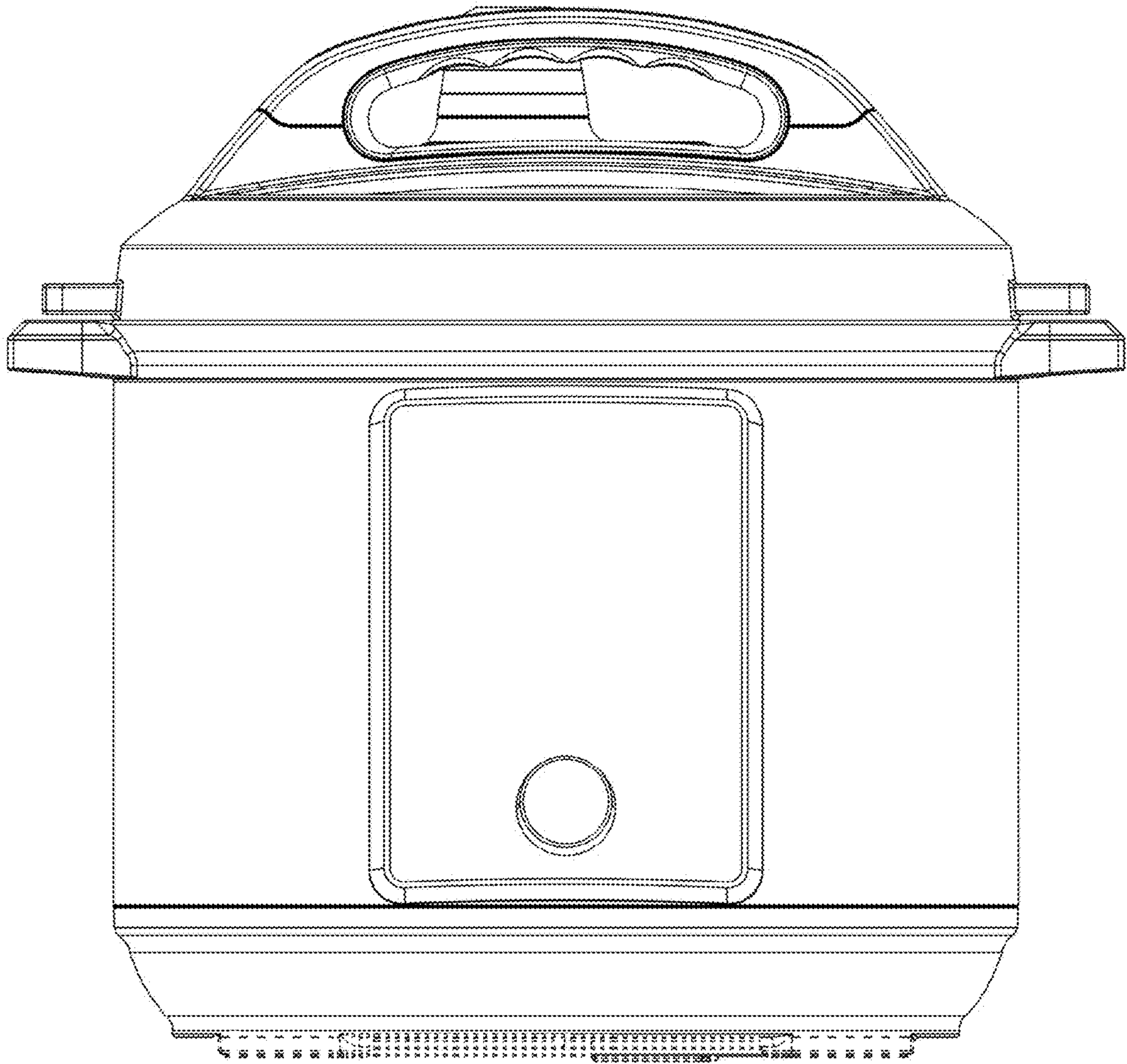


Figure 2

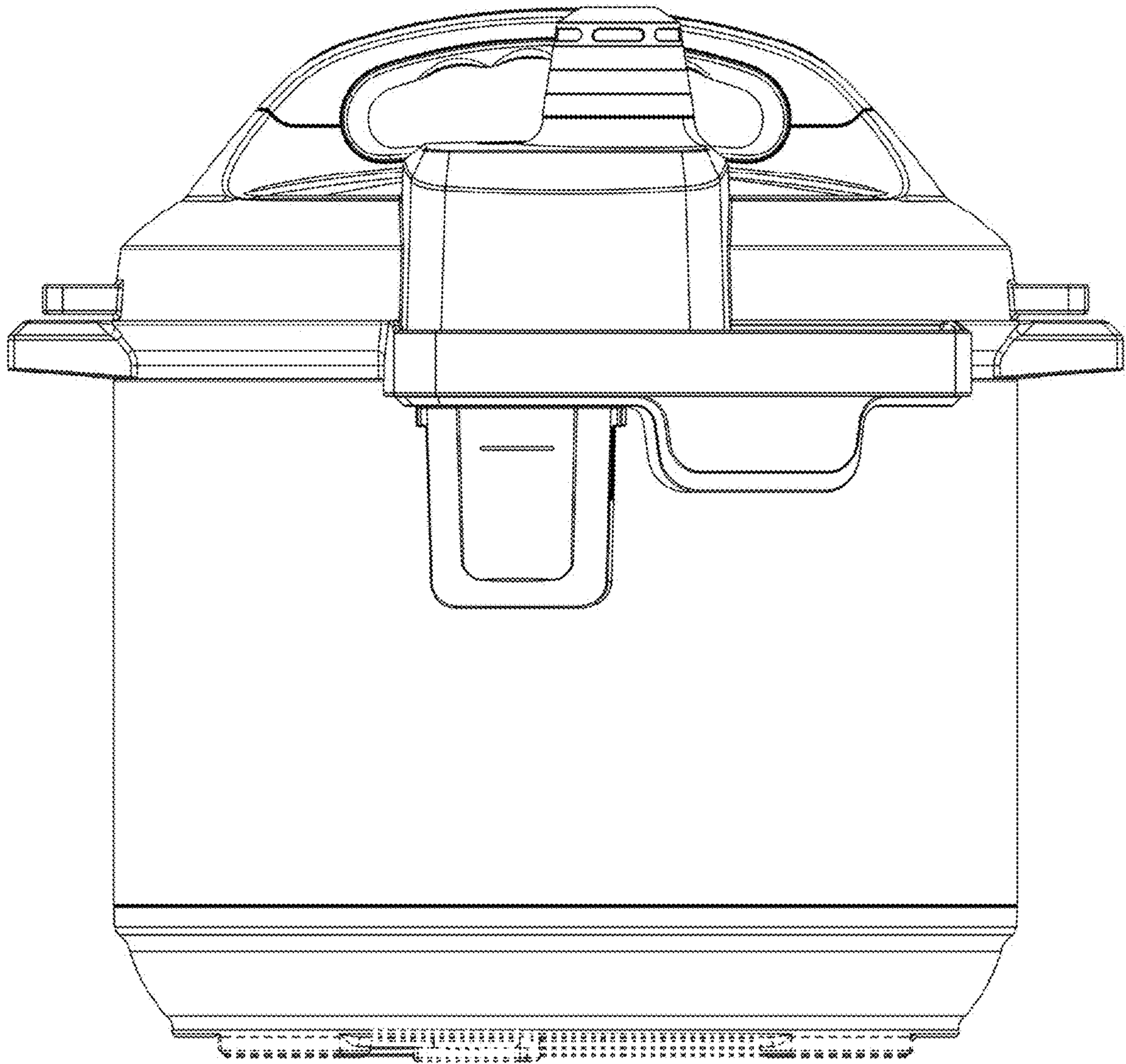


Figure 3

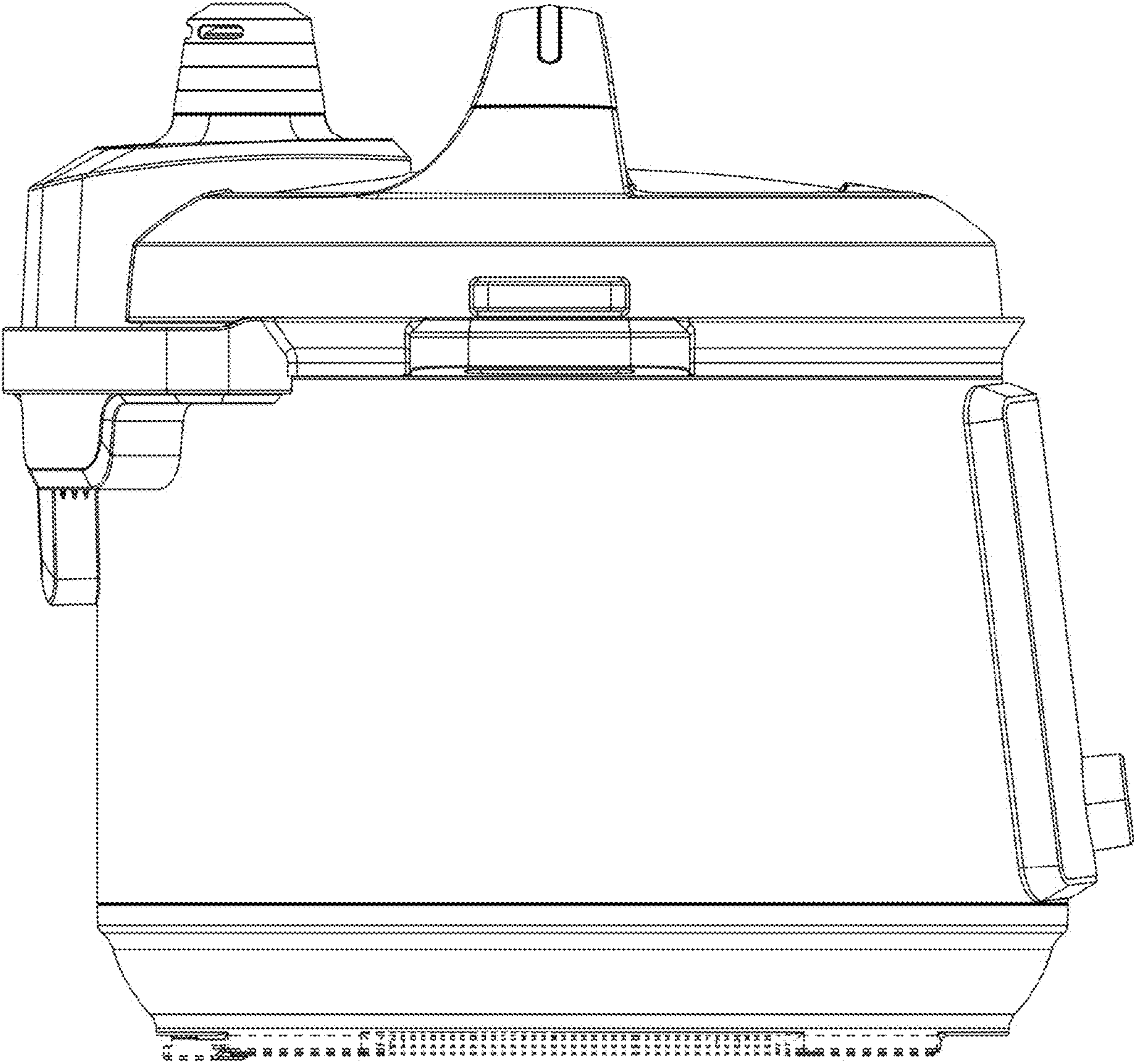


Figure 4

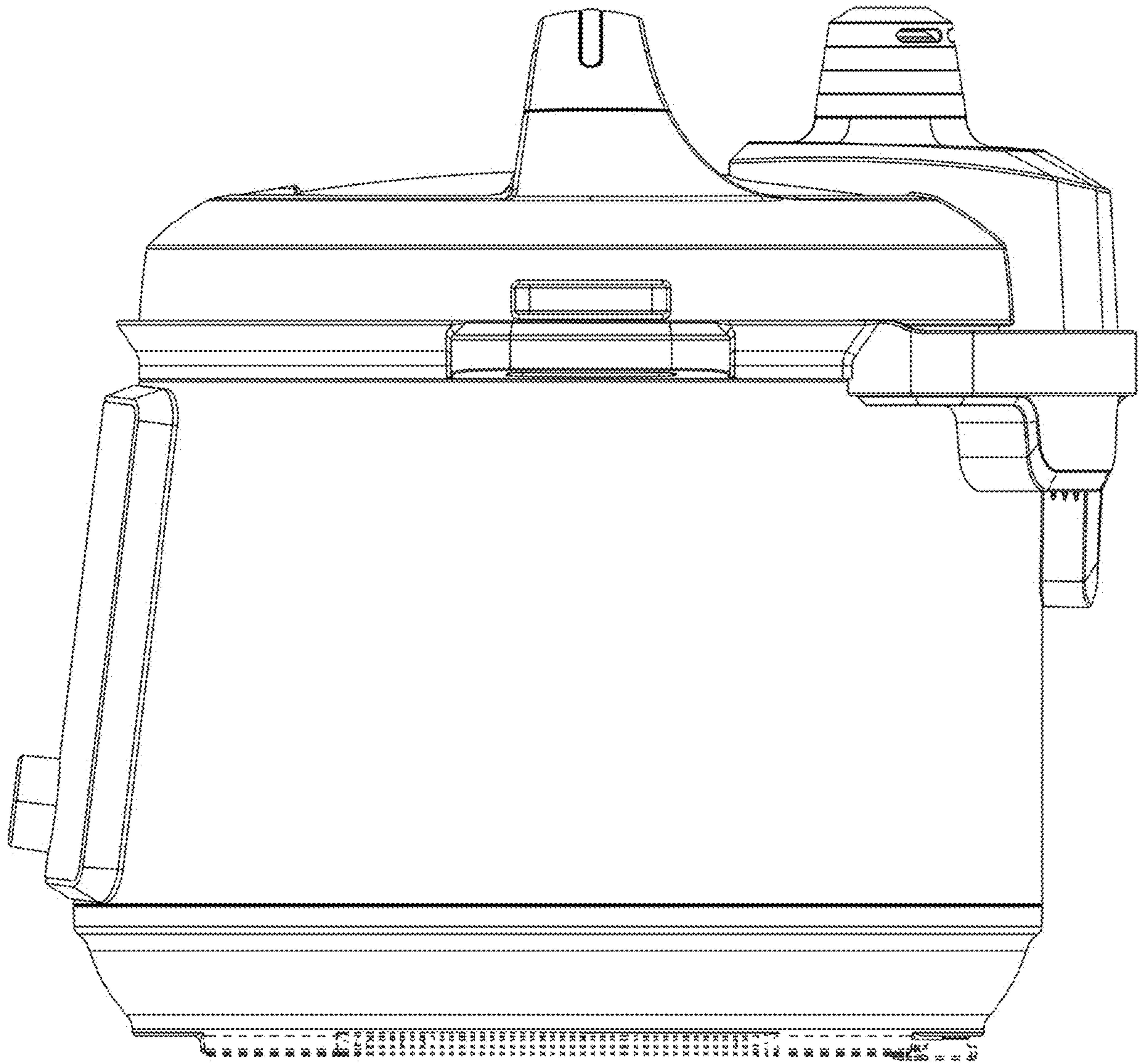


Figure 5

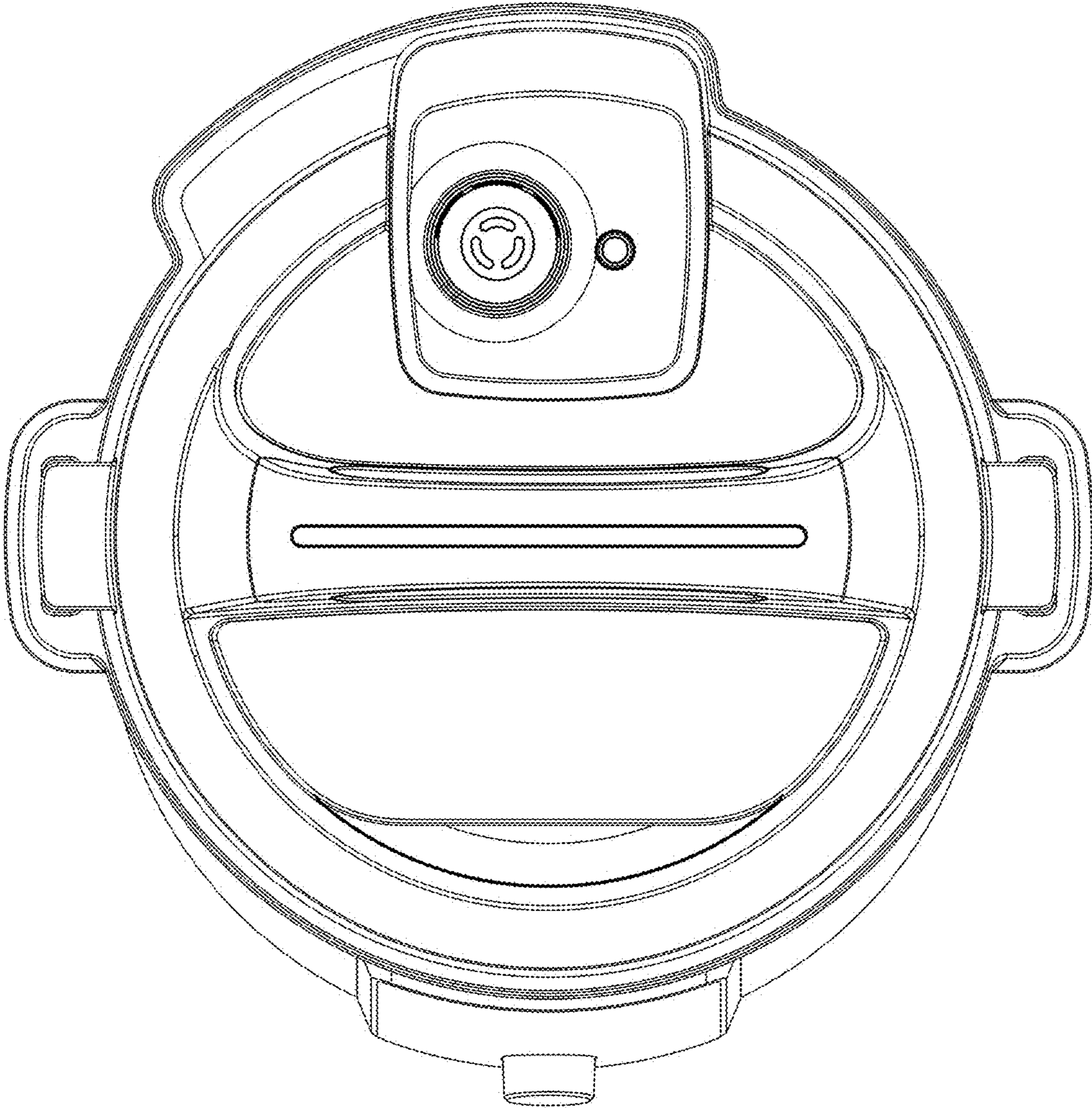


Figure 6