



US00D871827S

(12) **United States Design Patent** (10) **Patent No.:** **US D871,827 S**
Moon et al. (45) **Date of Patent:** **** Jan. 7, 2020**

(54) **AIR FRYER HOUSING**

(56) **References Cited**

(71) Applicant: **NuWave, LLC**, Libertyville, IL (US)

U.S. PATENT DOCUMENTS

(72) Inventors: **Jung S. Moon**, Long Grove, IL (US);
Eunjung Huh, Grayslake, IL (US);
Byung G. Choi, Lake Villa, IL (US);
Li Xiang Jun, Foshan (CN); **Zeng Qing Ping**, Shanwei (CN); **Kim Jong Rok**, Seoul (KR); **Huang Zhen Xiong**, Rong Gui Town (CN)

D374,588 S	*	10/1996	Federico	D7/354
D474,937 S	*	5/2003	Josancy	D7/354
D668,908 S	*	10/2012	De' Longhi	D7/354
D793,797 S	*	8/2017	Krooshof	D7/354
D804,236 S	*	12/2017	Zhang	D7/354
D814,232 S	*	4/2018	Barquin	D7/354
D816,390 S	*	5/2018	Zhang	D7/354
D817,698 S	*	5/2018	Liu	D7/361
D836,381 S	*	12/2018	Moon	D7/354
D839,040 S	*	1/2019	Seymour	D7/354
D841,388 S	*	2/2019	Zhang	D7/354
D848,200 S	*	5/2019	Kowalewski	D7/354
D855,396 S	*	8/2019	Zhang	D7/405

(73) Assignee: **NUWAVE, LLC**, Libertyville, IL (US)

(**) Term: **15 Years**

* cited by examiner

(21) Appl. No.: **29/673,168**

Primary Examiner — Ricky Pham

(22) Filed: **Dec. 12, 2018**

(74) *Attorney, Agent, or Firm* — Bishop, Diehl & Lee, Ltd.

Related U.S. Application Data

(62) Division of application No. 29/608,500, filed on Jun. 22, 2017, now Pat. No. Des. 836,381.

(51) **LOC (12) Cl.** **07-02**

(52) **U.S. Cl.**
USPC **D7/354; D7/361**

(58) **Field of Classification Search**
USPC D7/323, 354–361, 405
CPC A23L 1/01; A23L 1/0107; A23L 1/0114;
A47J 27/00; A47J 27/08; A47J 27/09;
A47J 27/092; A47J 36/025; A47J 36/06;
A47J 36/08; A47J 36/10; A47J 36/12;
A47J 36/165; A47J 36/18; A47J 36/20;
A47J 36/22; A47J 37/00; A47J 37/12;
A47J 37/1204; A47J 37/1209; A47J
37/1214; A47J 37/1219; A47J 37/1266;
A47J 37/1285; A47J 37/129; A47J
37/1295; G07F 17/0064; G07F 17/0078;
G07F 17/0085; H05B 6/02; H05B 6/06;
H05B 6/12

See application file for complete search history.

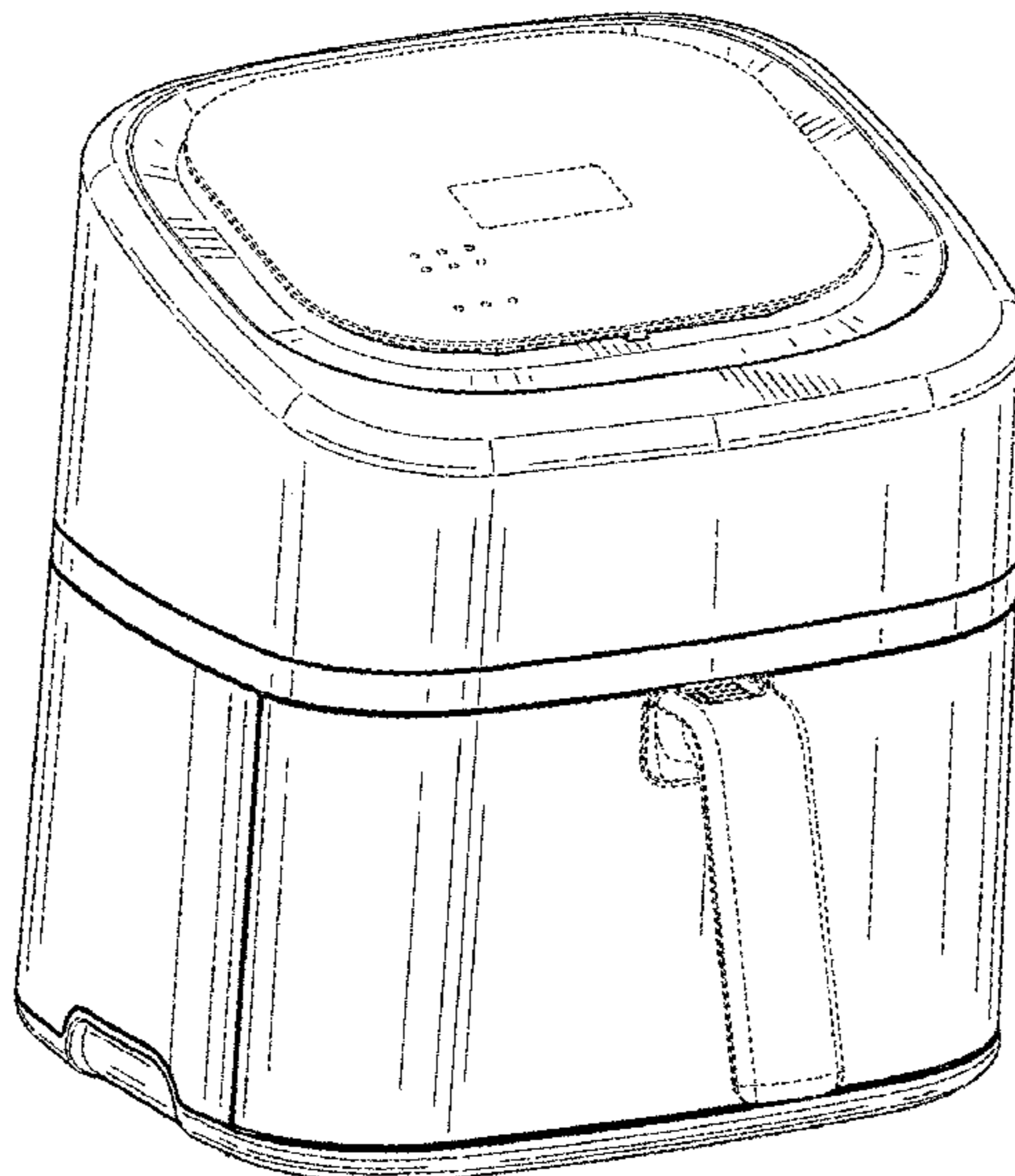
(57) **CLAIM**

The ornamental design for the air fryer housing, as shown and described.

DESCRIPTION

FIG. 1 is a perspective view of a cooking bowl showing my new design;
FIG. 2 is a top plan view thereof;
FIG. 3 is a front elevational view thereof;
FIG. 4 is a rear elevational view thereof;
FIG. 5 is a left side elevational view thereof;
FIG. 6 is a right side elevational view thereof; and,
FIG. 7 is a bottom plan view thereof.
The broken lines shown in the appended figures are for purposes of illustrating environmental structures and form no part of the claimed design.

1 Claim, 7 Drawing Sheets



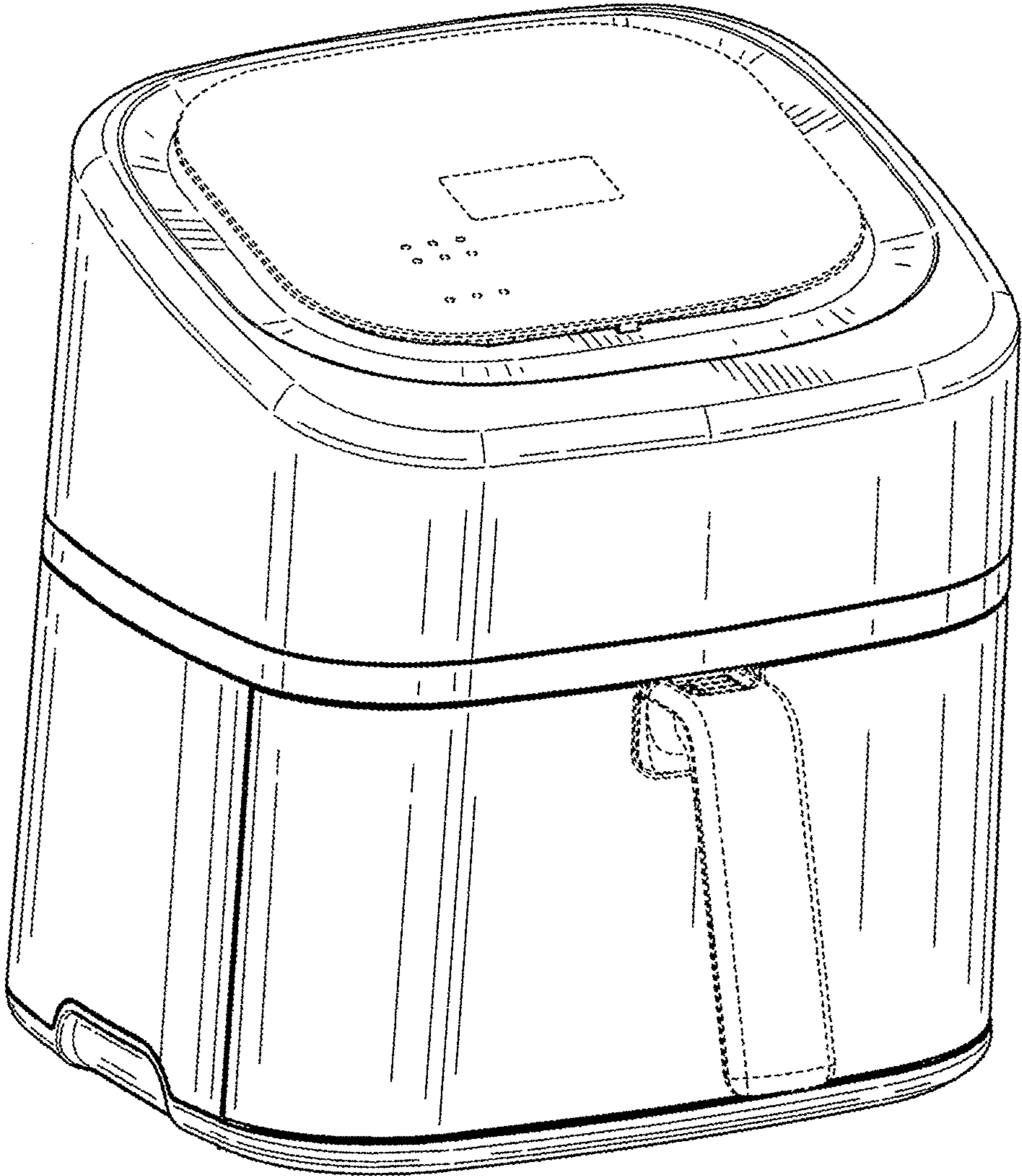


FIG 1

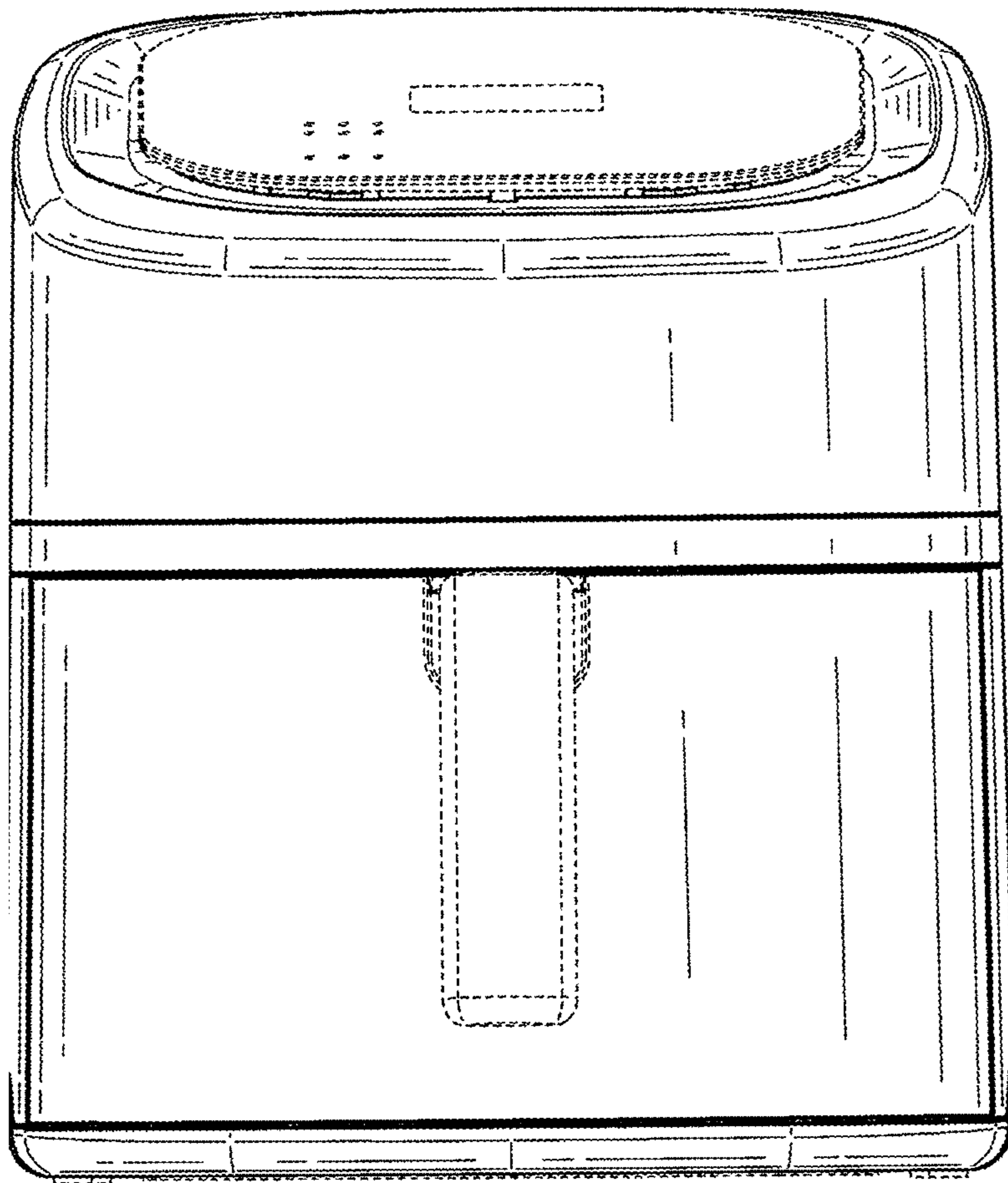


FIG 2

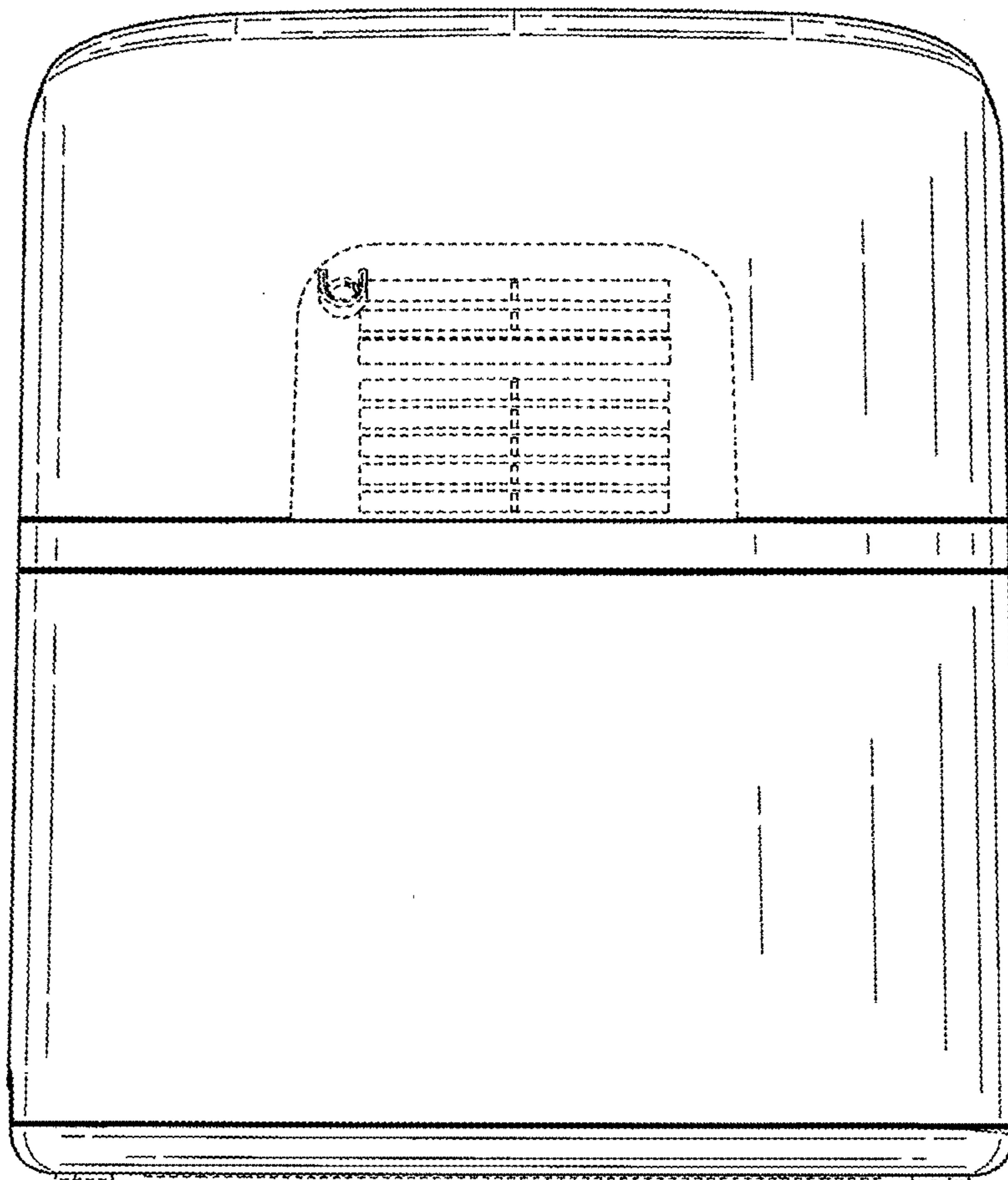


FIG 3

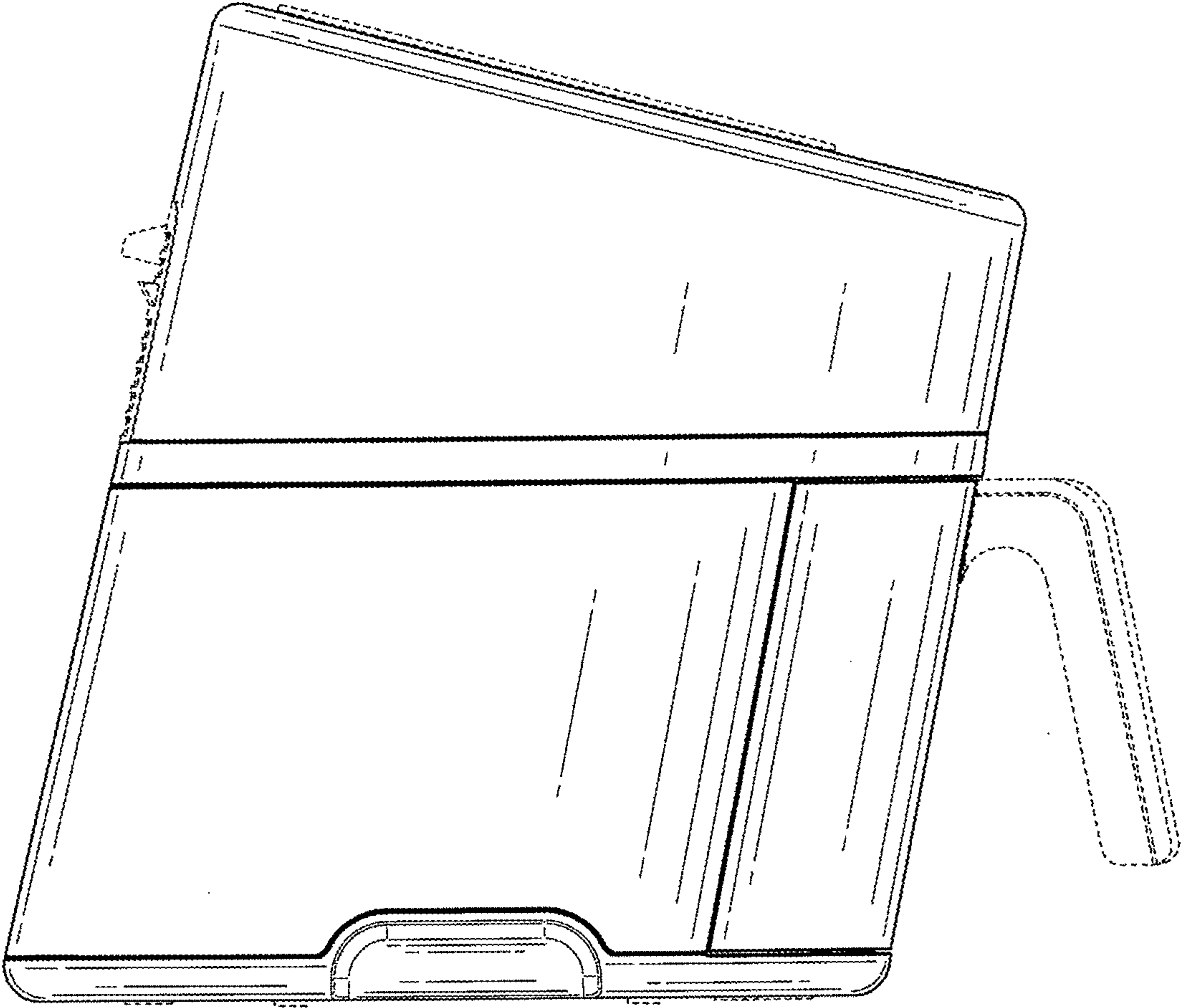


FIG 4

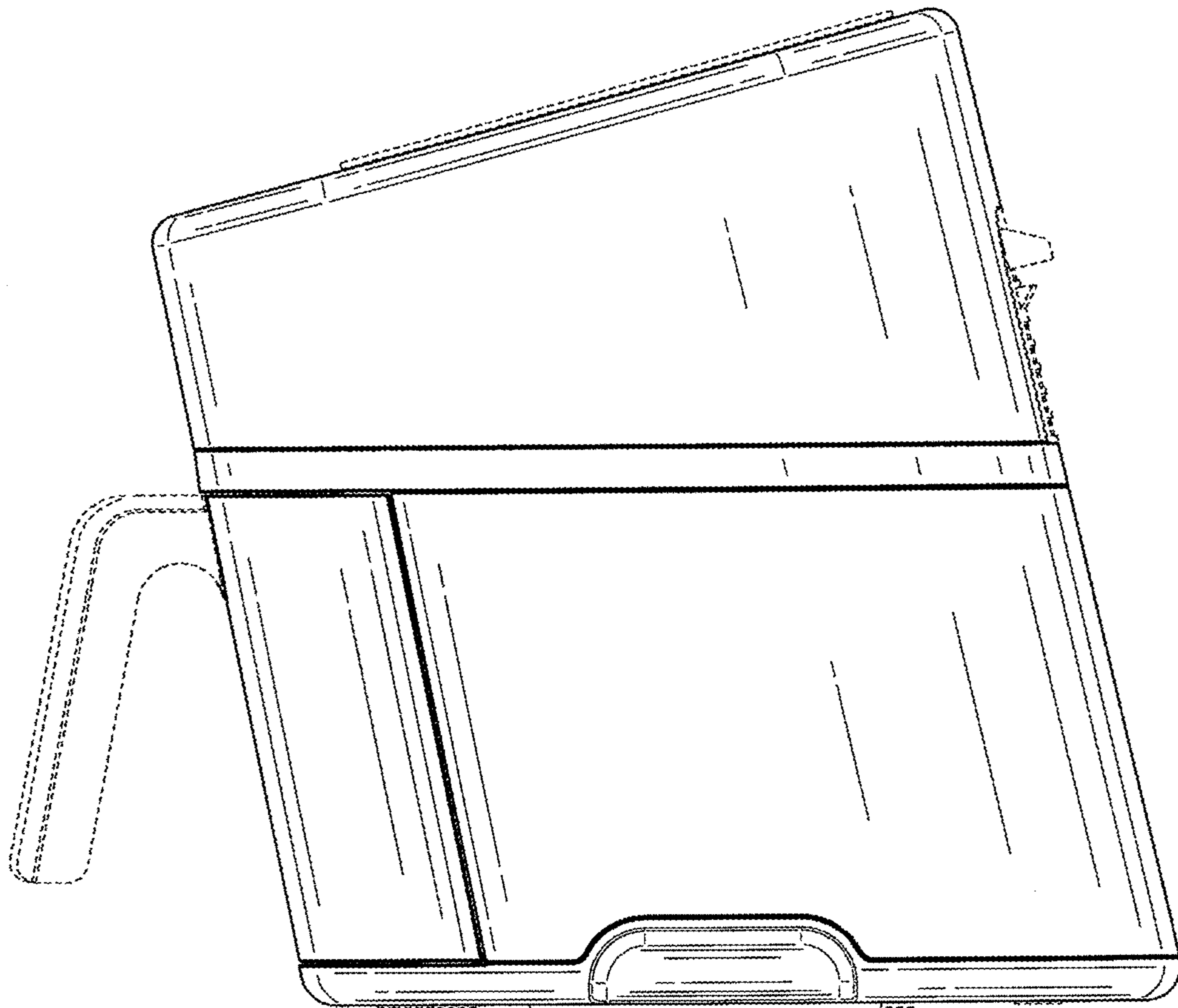


FIG 5

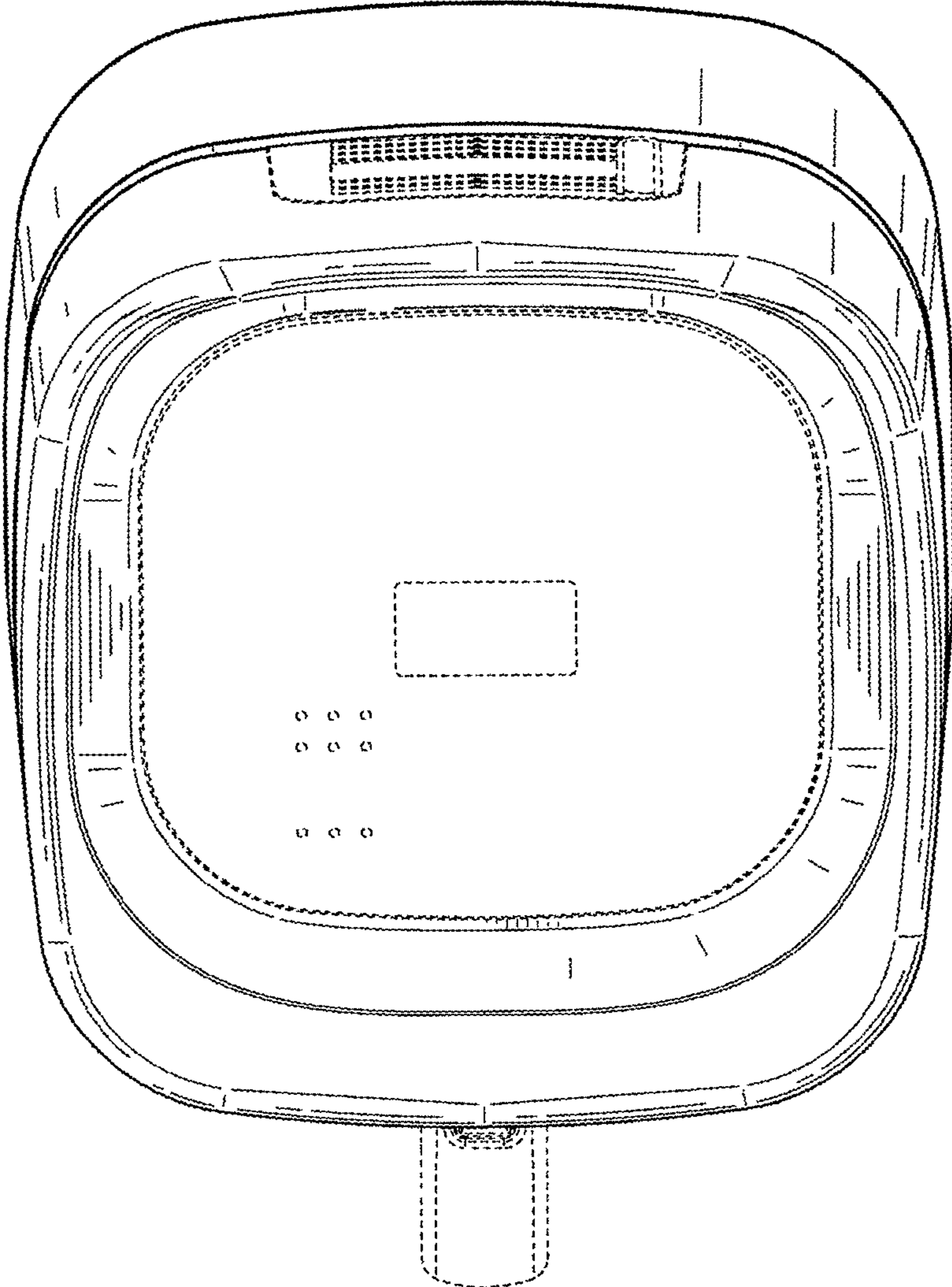


FIG 6

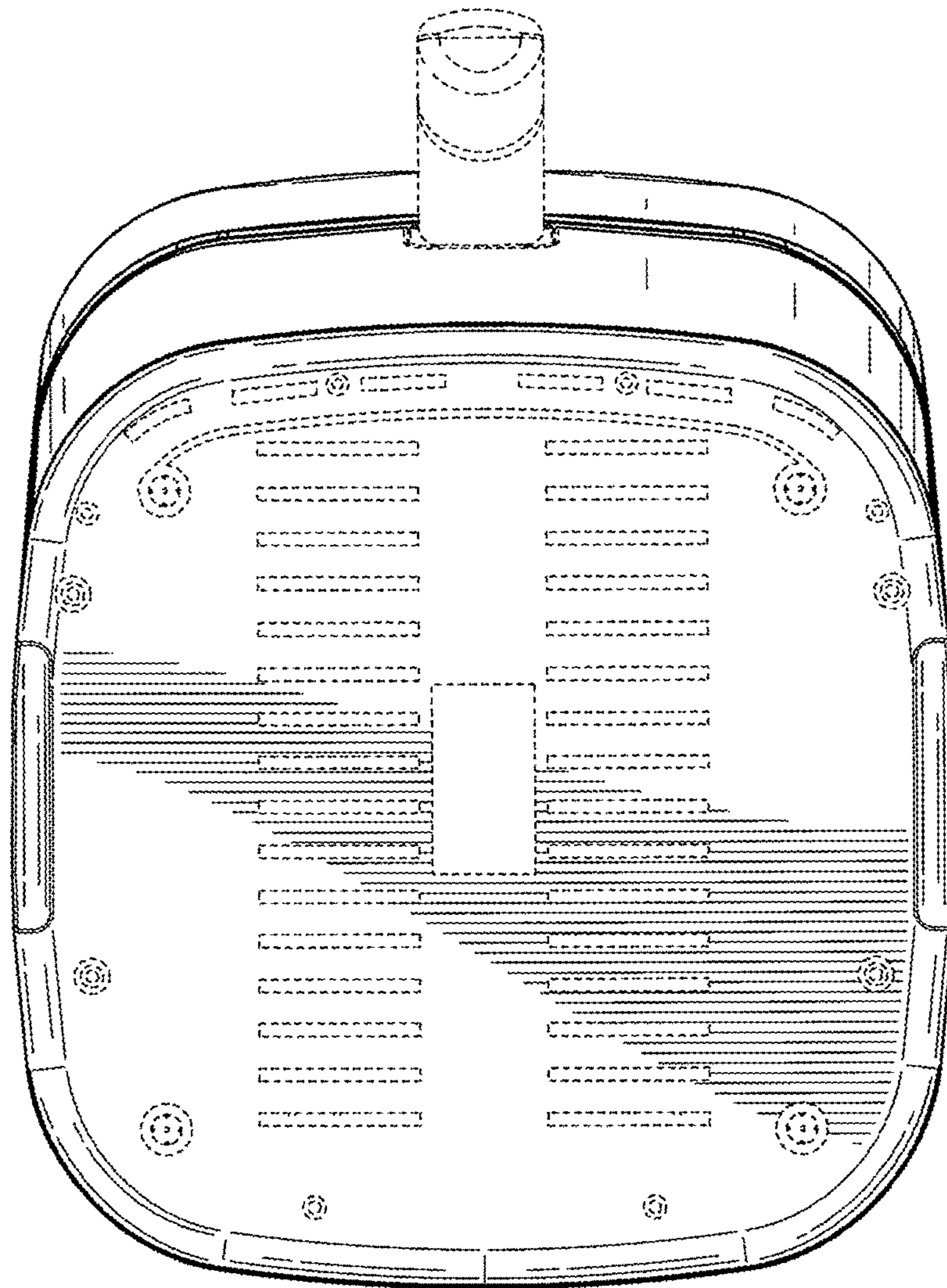


FIG 7