



US00D871826S

(12) **United States Design Patent**
Corlay

(10) **Patent No.:** **US D871,826 S**
(45) **Date of Patent:** **** Jan. 7, 2020**

- (54) **ELECTRIC DEEP FRYER**
- (71) Applicant: **SEB, Selongey (FR)**
- (72) Inventor: **Florent Corlay, Lyons (FR)**
- (73) Assignee: **SEB, Selongey (FR)**
- (**) Term: **15 Years**
- (21) Appl. No.: **29/638,660**
- (22) Filed: **Feb. 28, 2018**

(30) **Foreign Application Priority Data**

Aug. 29, 2017 (FR) 2017-3879

(51) **LOC (12) Cl.** **07-02**

(52) **U.S. Cl.**
USPC **D7/354**

(58) **Field of Classification Search**
USPC D7/323, 337, 339, 340, 341, 352, 354,
D7/35, 5, 356, 357, 358, 359, 360, 361,
D7/362, 363, 364, 365, 366, 367, 393,
D7/402, 403, 407, 408, 409, 410, 411,
D7/601, 605

CPC A21B 1/06; A21B 1/50; A21B 1/52; A47J
37/04; A47J 37/06; A47J 37/015; A47J
37/067; A47J 37/0611; A47J 37/0629;
A47J 37/0676; A47J 37/108; F24C 7/06;
F24C 7/083; F24C 15/02; F24C 15/66;
H05B 3/20; H05B 3/40

See application file for complete search history.

(56) **References Cited**

U.S. PATENT DOCUMENTS

- D270,131 S * 8/1983 Hor D7/355
- D468,960 S * 1/2003 Hung D7/332
- D503,584 S * 4/2005 White A47J 37/0623
D7/355
- D525,479 S * 7/2006 Olsen D7/360
- D577,247 S * 9/2008 Barnes D7/354

- D592,902 S * 5/2009 Currie D7/355
- D616,697 S * 6/2010 Muller D7/354
- 7,943,888 B2 * 5/2011 Barnes H05B 1/0266
219/432
- D731,848 S * 6/2015 Arregui Letamendi D7/354
- D735,519 S * 8/2015 Benoit D7/354
- D764,856 S * 8/2016 Sandberg D7/354
- D814,845 S * 4/2018 de Martrin-Donos D7/354

(Continued)

Primary Examiner — Barbara Fox

Assistant Examiner — Messina L Smith

(74) *Attorney, Agent, or Firm* — Loeb & Loeb LLP

(57) **CLAIM**

The ornamental design for an electric deep fryer, as shown and described.

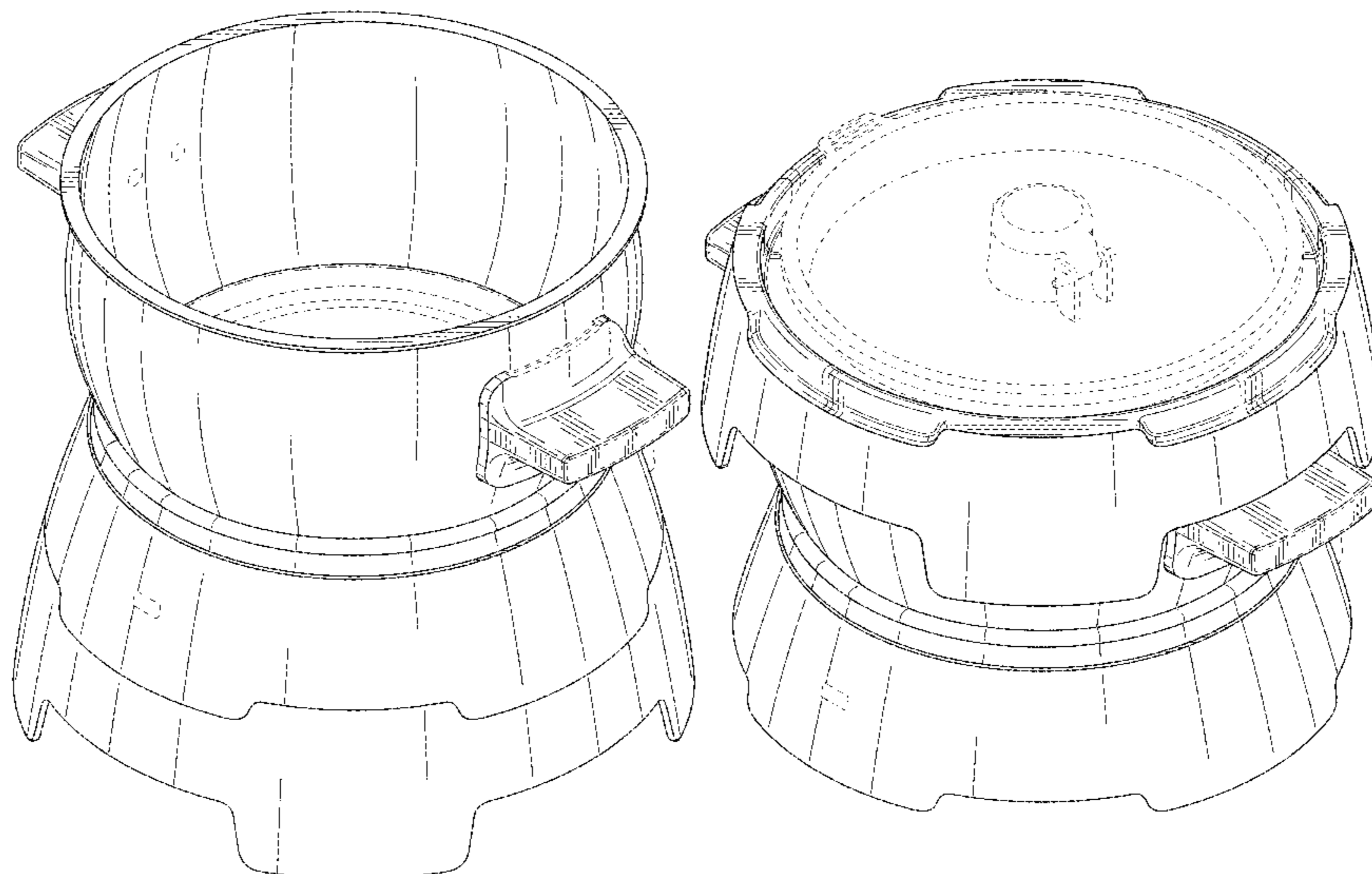
DESCRIPTION

FIG. 1 is a perspective view of an electric deep fryer showing my new design;
 FIG. 2 is a front elevational view thereof;
 FIG. 3 is a back elevational view thereof;
 FIG. 4 is a right side elevational view thereof;
 FIG. 5 is a left side elevational view thereof;
 FIG. 6 is a top view thereof;
 FIG. 7 is a bottom view thereof;
 FIG. 8 is a perspective view of the electric deep fryer shown in an alternate configuration;
 FIG. 9 is a front elevational view thereof;
 FIG. 10 is a back elevational view thereof;
 FIG. 11 is a right side elevational view thereof;
 FIG. 12 is a left side elevational view thereof;
 FIG. 13 is a top view thereof; and,
 FIG. 14 is a bottom view thereof.

The dash lines are shown for the purpose of illustrating parts of the electric deep fryer that form no part of the claimed design.

The dot dash lines are for the purpose of illustrating the bounds of the claim and form no part thereof.

1 Claim, 14 Drawing Sheets



(56)

References Cited

U.S. PATENT DOCUMENTS

D830,103 S * 10/2018 Cao D7/354
2018/0000276 A1* 1/2018 Choi A47J 27/21158

* cited by examiner

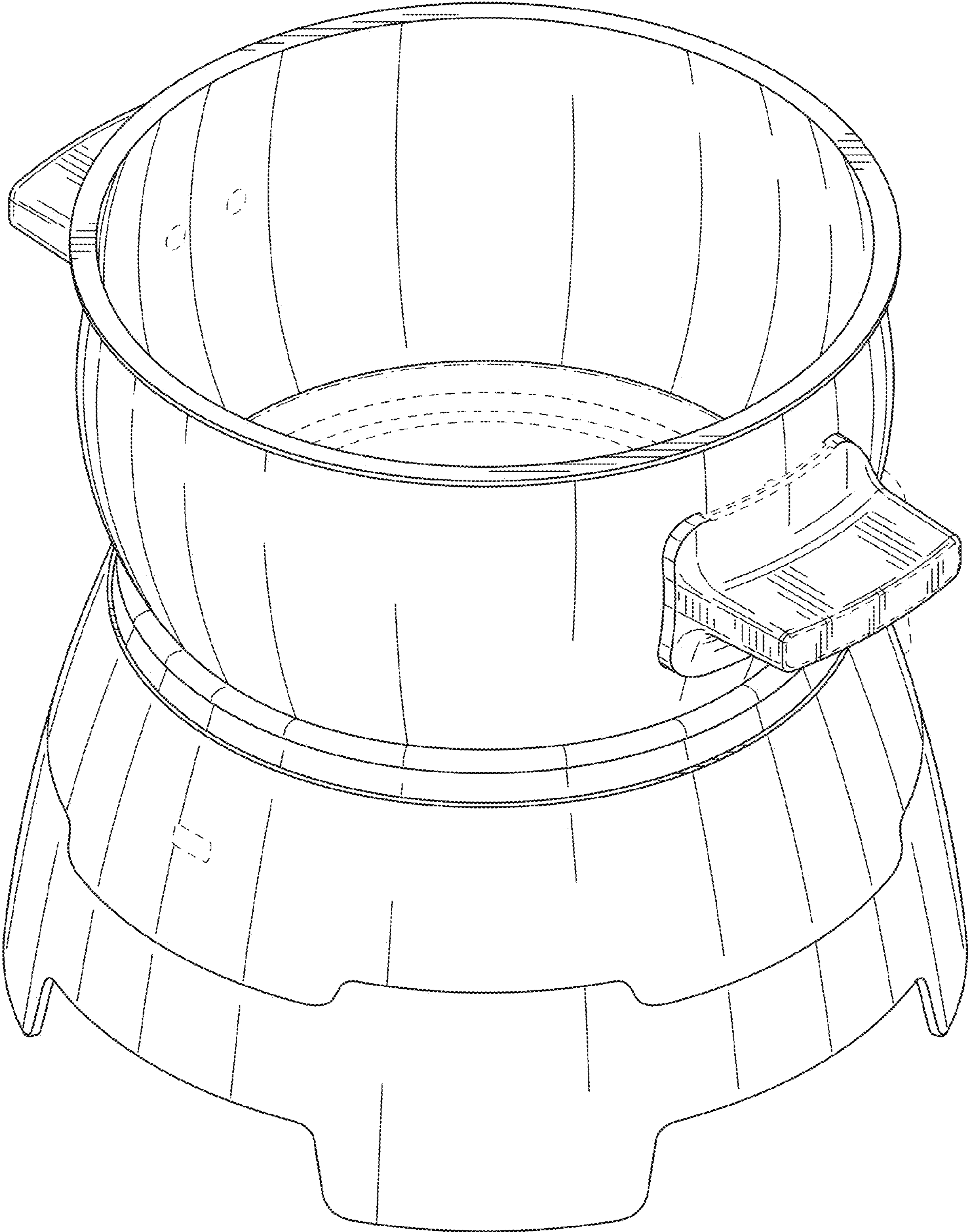


FIG. 1

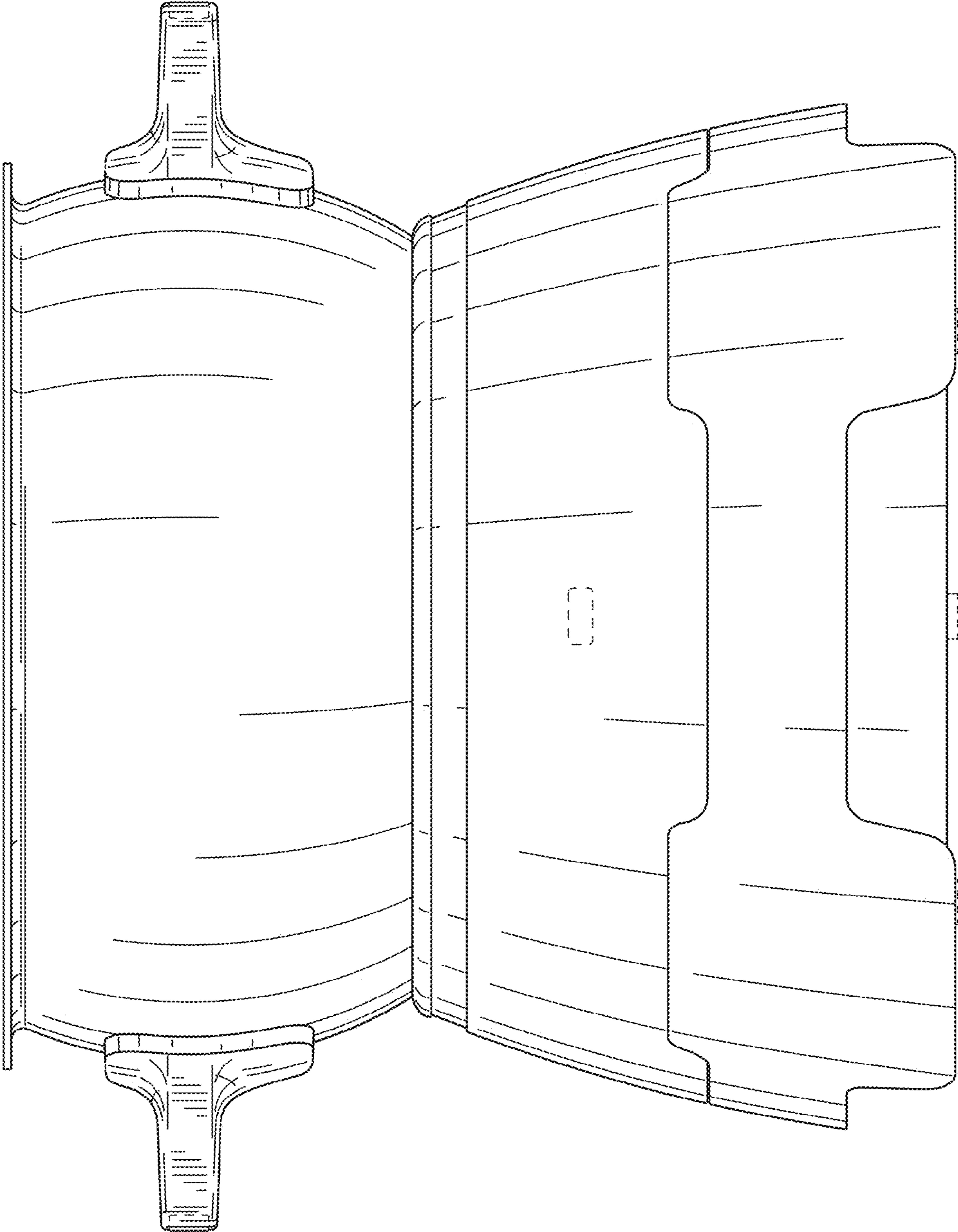


FIG. 2

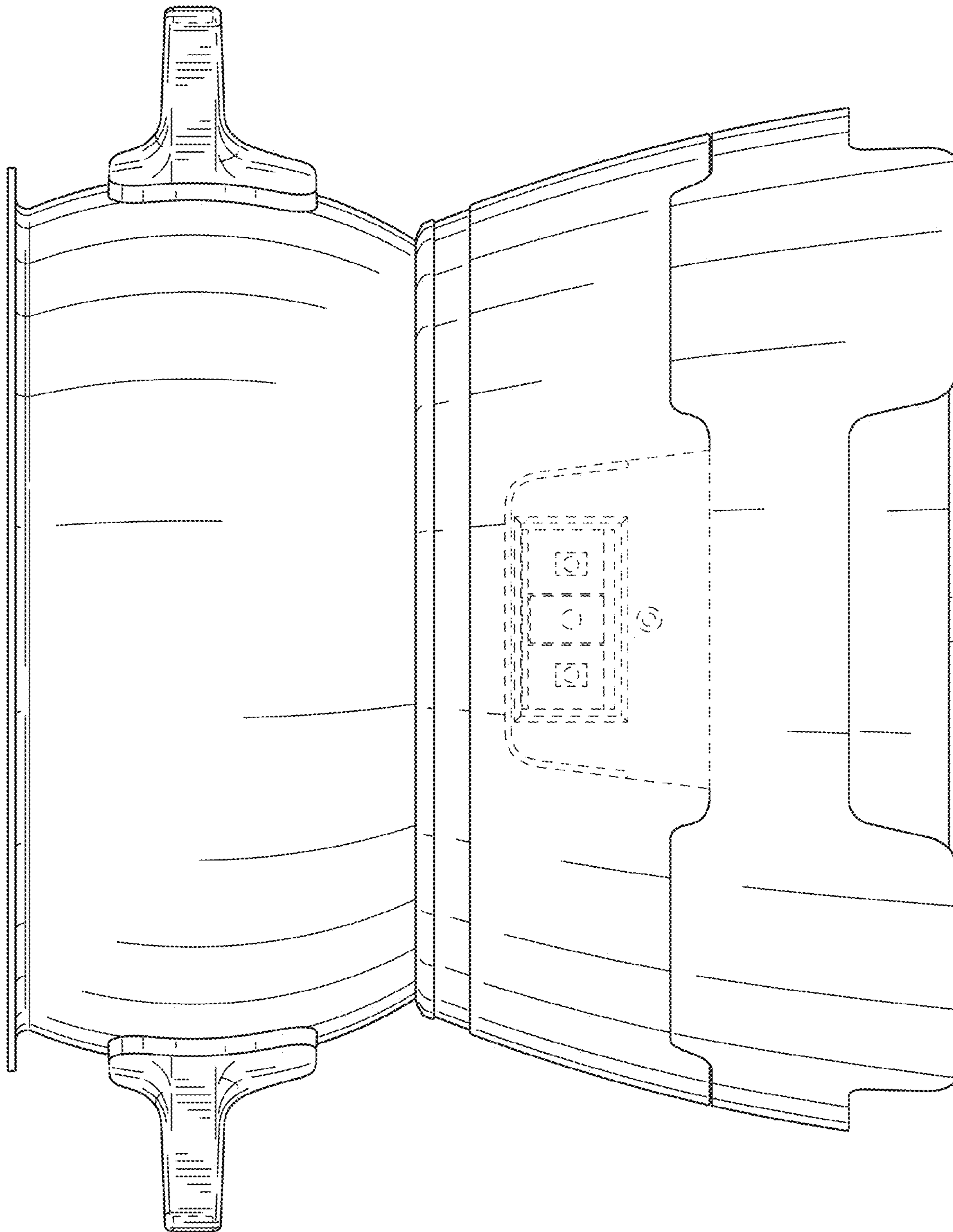


FIG. 3

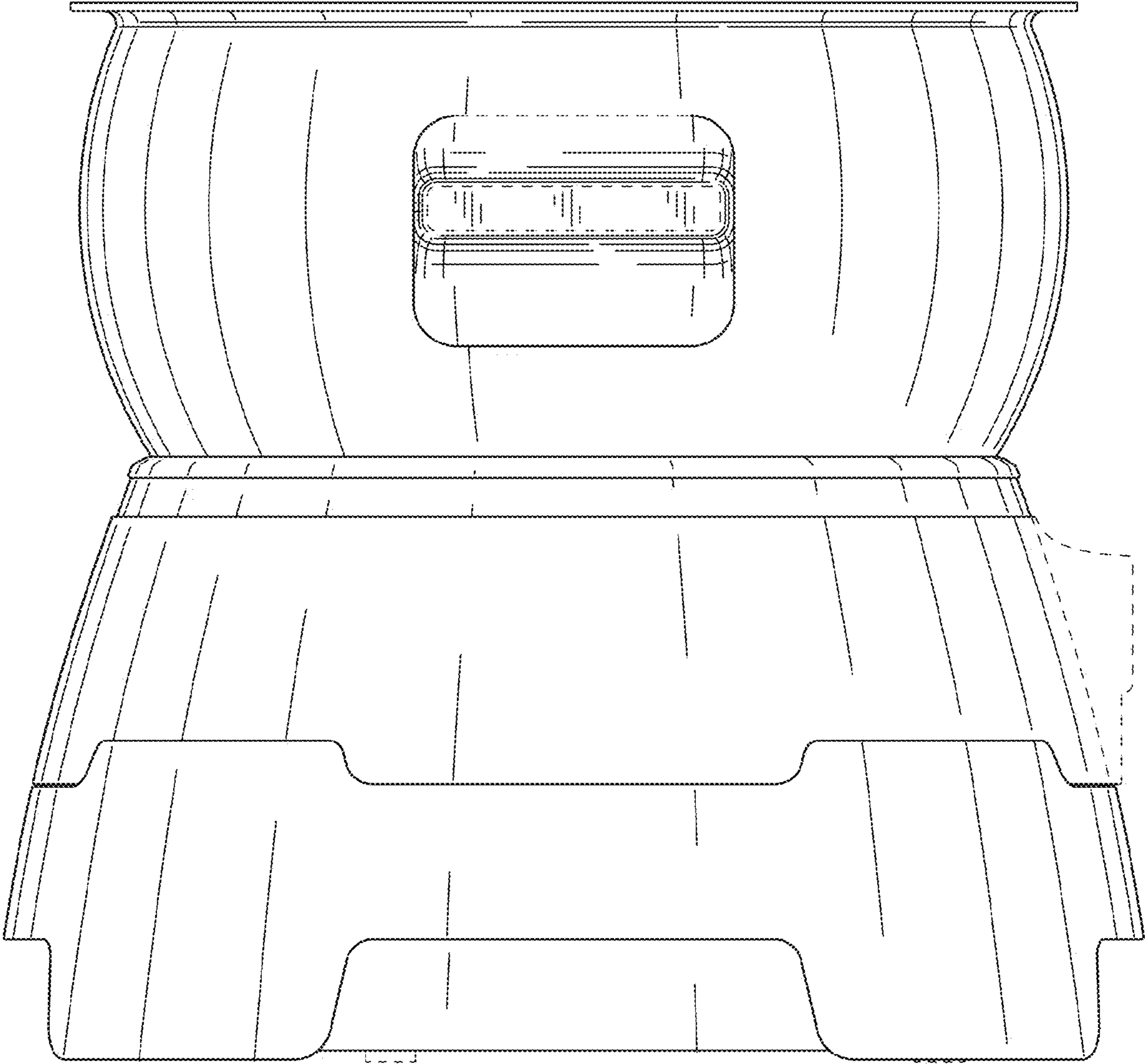


FIG. 4

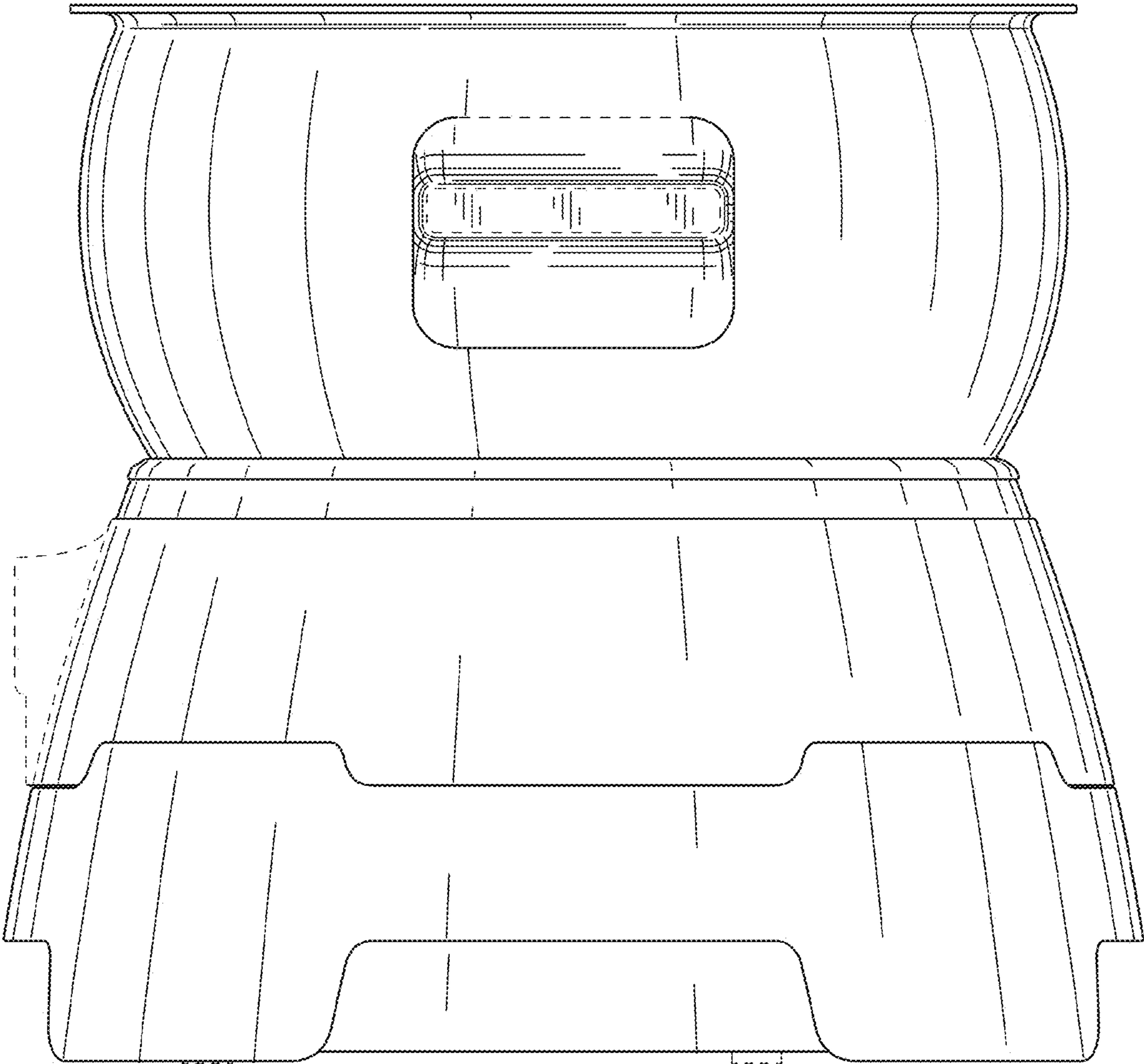


FIG. 5

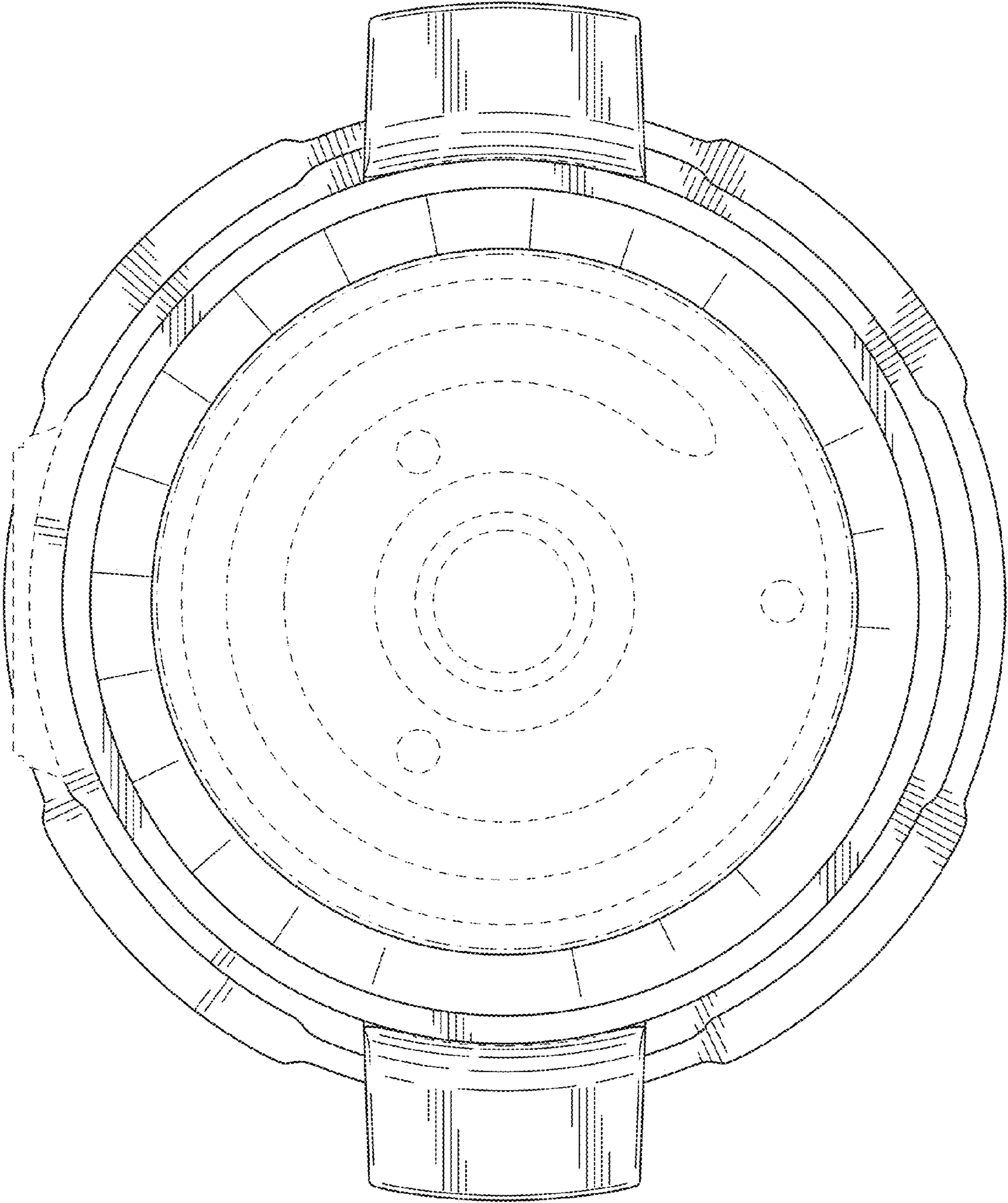


FIG. 6

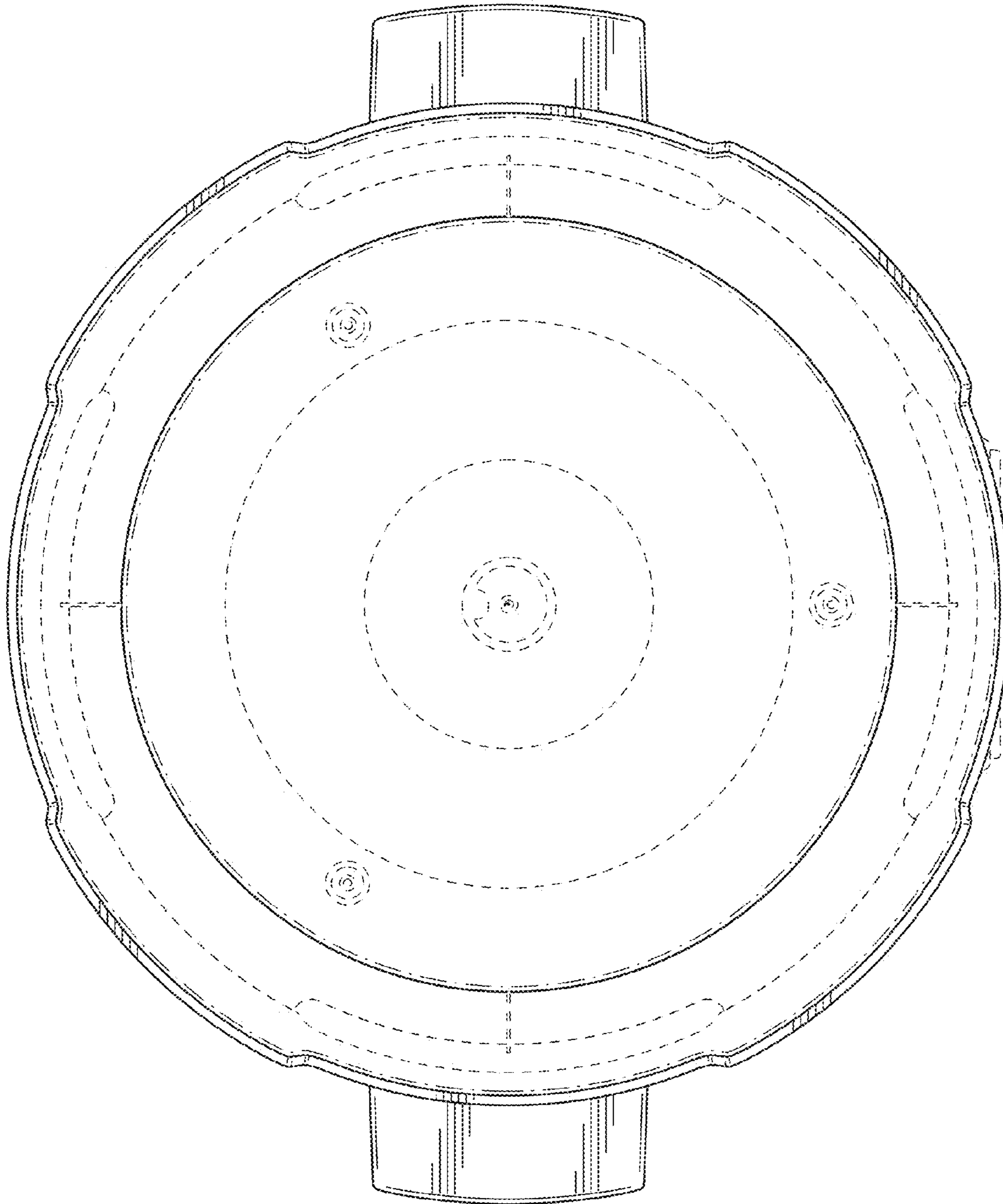


FIG. 7

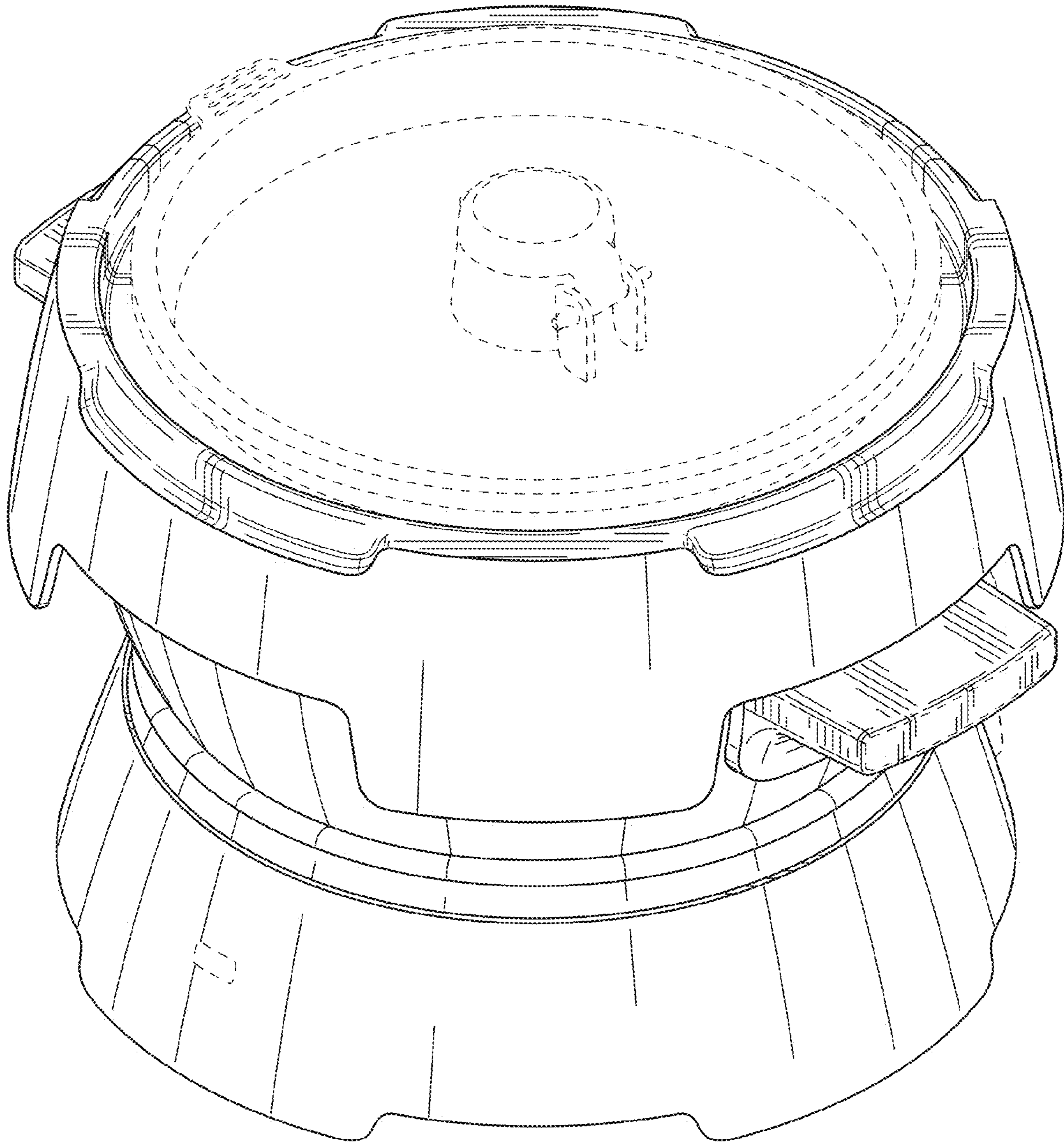


FIG. 8

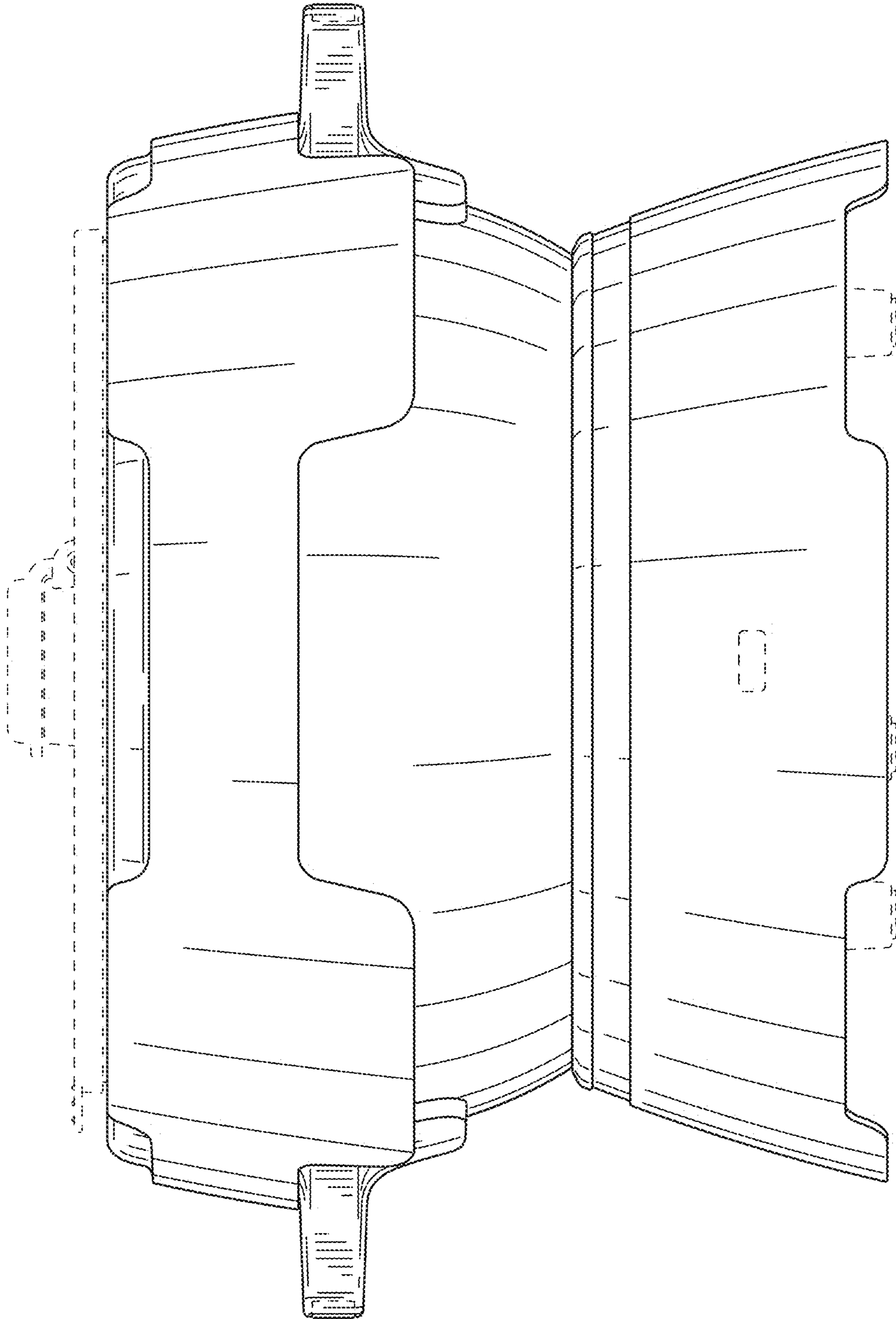


FIG. 9

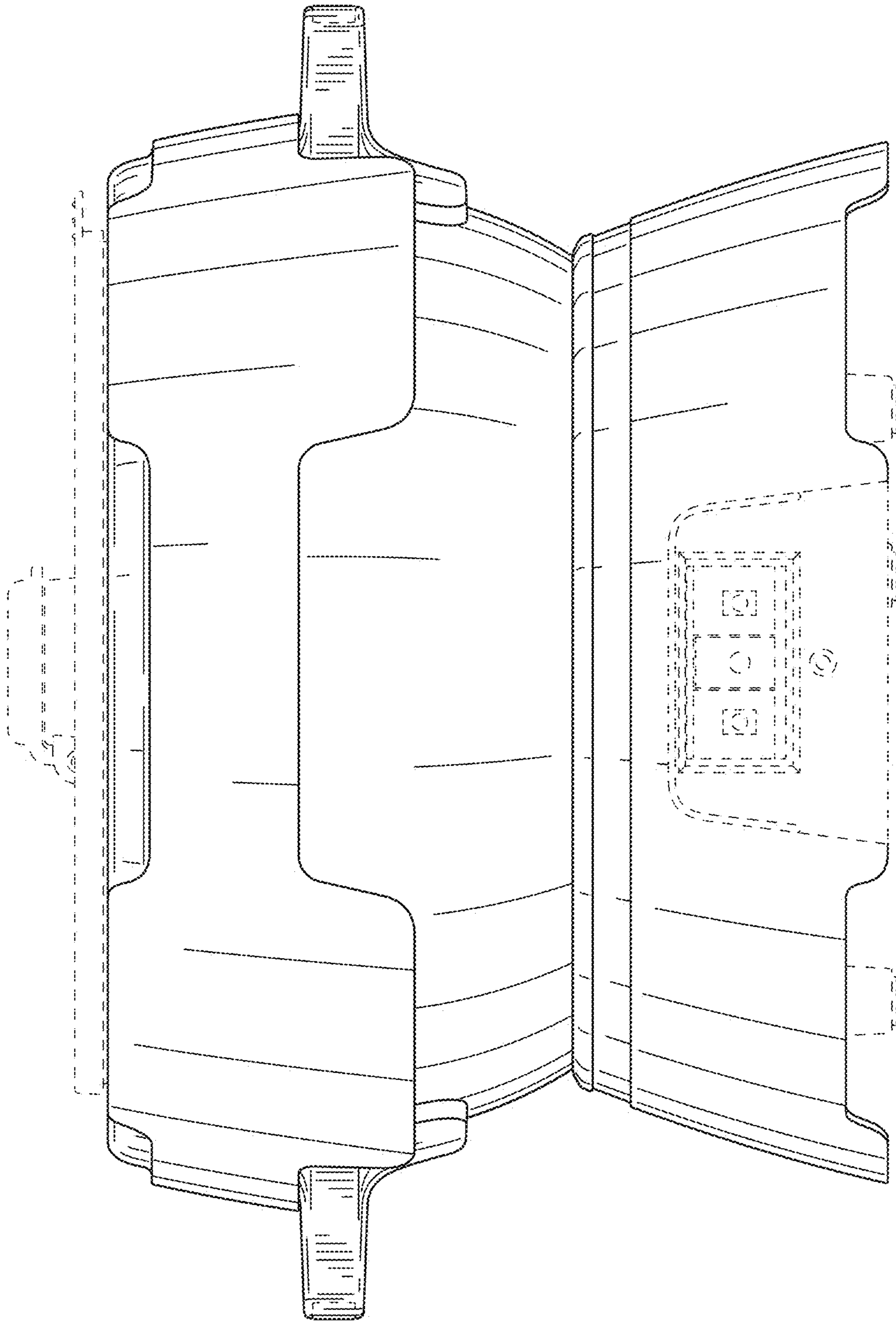


FIG. 10

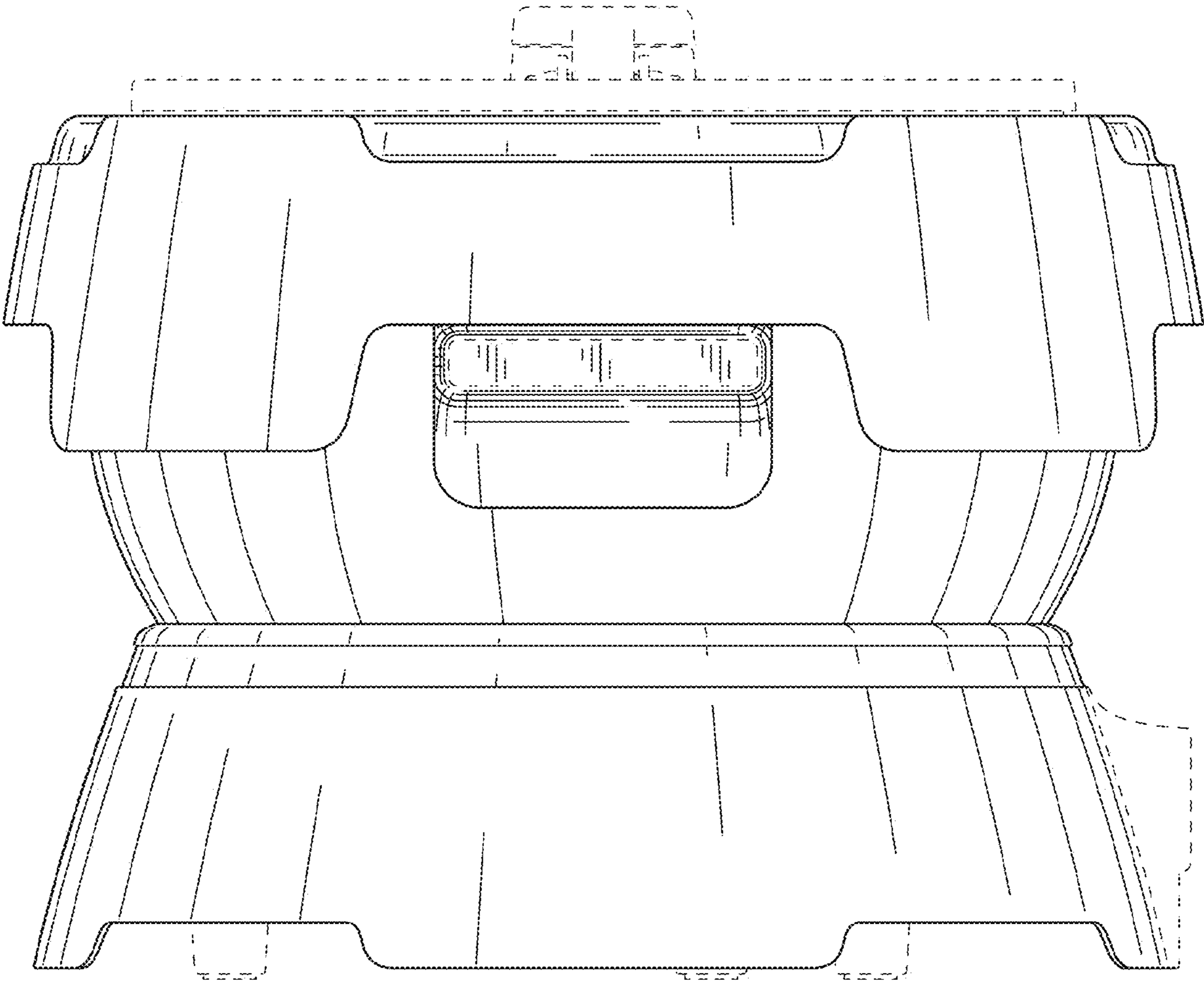


FIG. 11

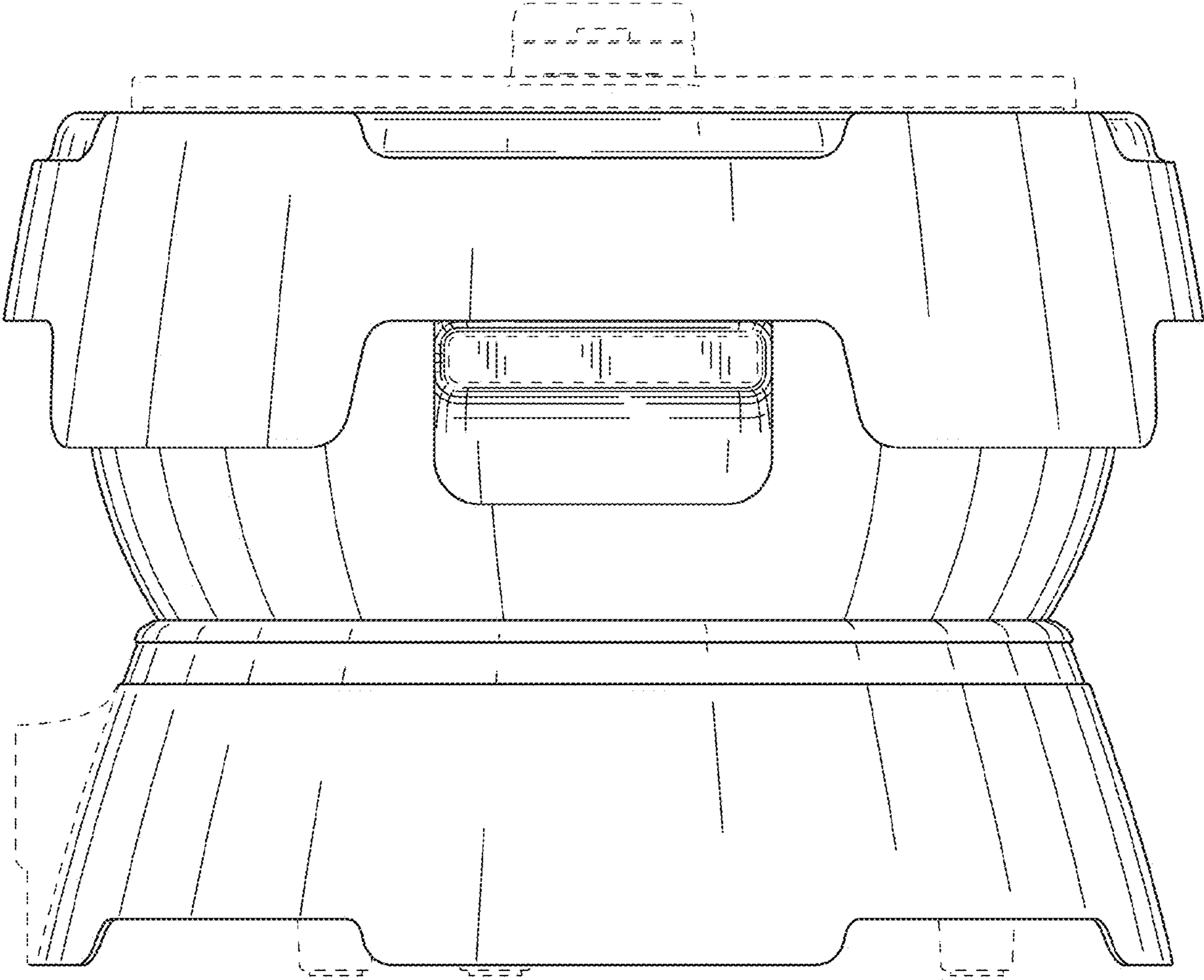


FIG. 12

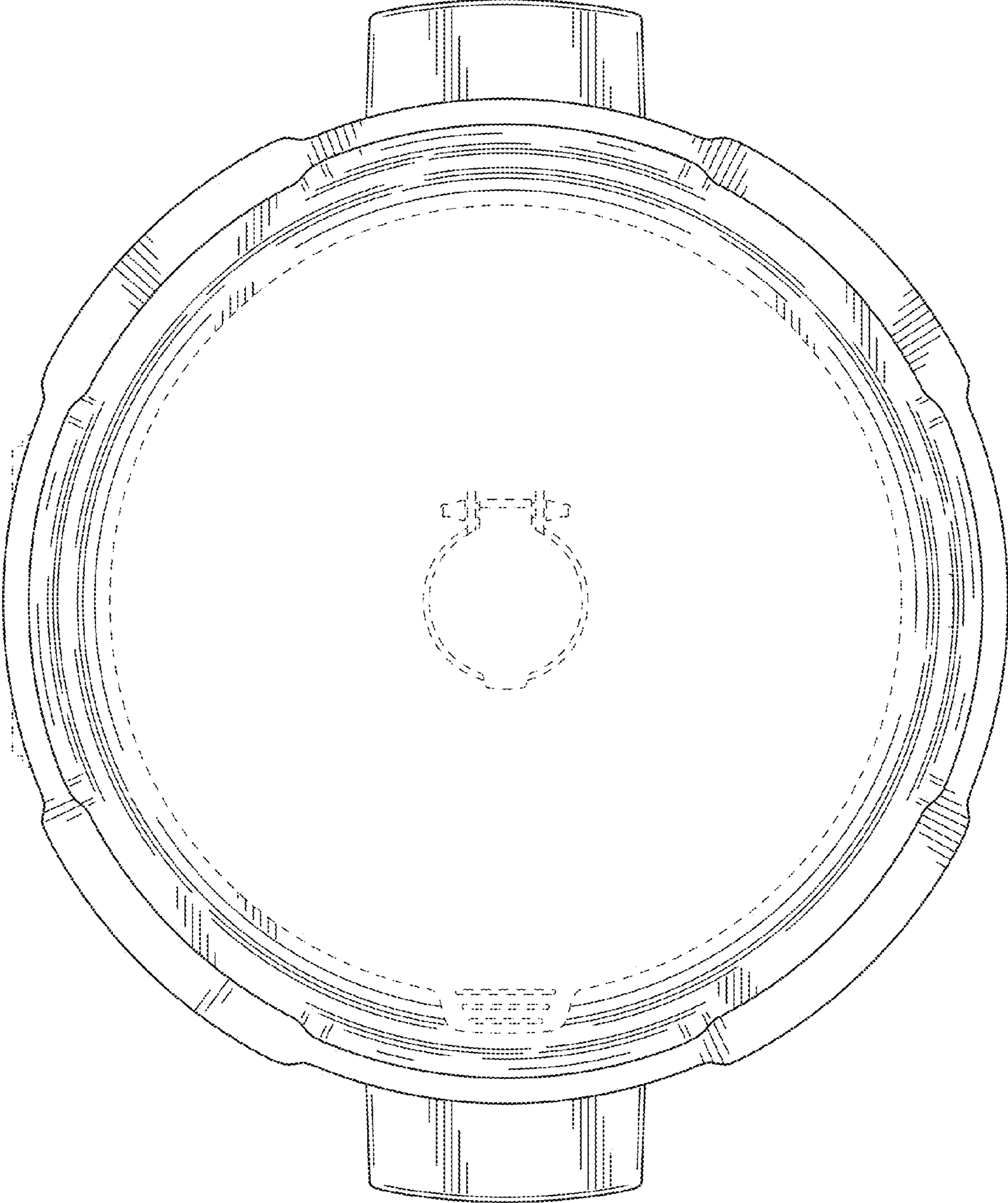


FIG. 13

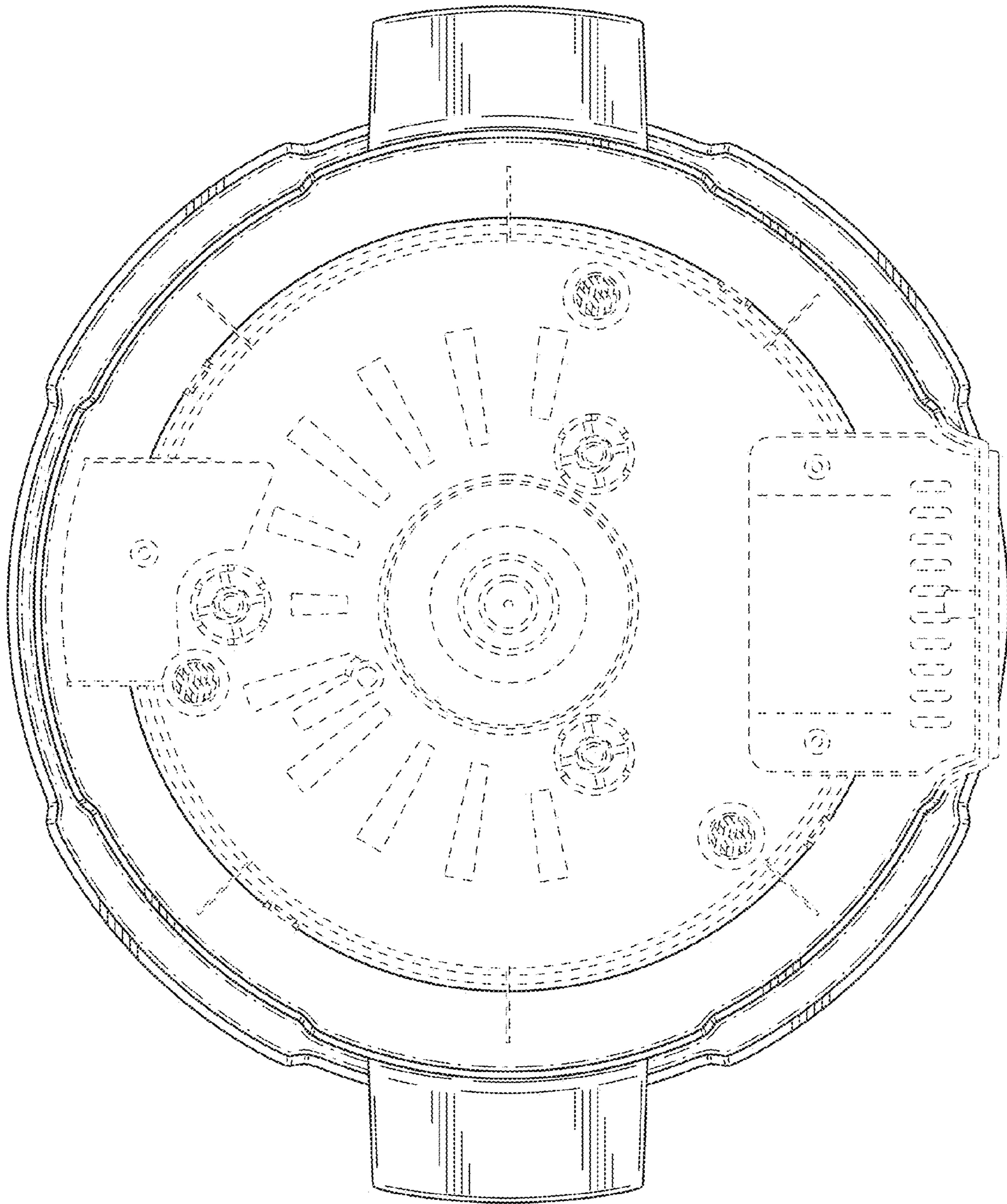


FIG. 14