



US00D871825S

(12) **United States Design Patent**  
**Miyawaki**

(10) **Patent No.:** **US D871,825 S**  
(45) **Date of Patent:** **\*\* Jan. 7, 2020**

(54) **RICE COOKER**

(71) Applicant: **IRIS OHYAMA INC.**, Sendai-shi,  
Miyagi (JP)

(72) Inventor: **Masayuki Miyawaki**, Kakuda (JP)

(73) Assignee: **IRIS OHYAMA INC.**, Sendai-shi (JP)

(\*\*) Term: **15 Years**

(21) Appl. No.: **29/633,980**

(22) Filed: **Jan. 17, 2018**

(30) **Foreign Application Priority Data**

Aug. 2, 2017 (JP) ..... 2017-016717

(51) **LOC (12) Cl.** ..... **07-02**

(52) **U.S. Cl.**  
USPC ..... **D7/354**

(58) **Field of Classification Search**  
USPC ..... D7/323, 337, 339, 340, 341, 352, 354,  
D7/35, 5, 356, 357, 358, 359, 360, 361,  
(Continued)

(56) **References Cited**

**U.S. PATENT DOCUMENTS**

D347,353 S \* 5/1994 Piret ..... D7/354  
D492,882 S \* 7/2004 Liu ..... D7/350.3  
(Continued)

**FOREIGN PATENT DOCUMENTS**

JP 2018201597 A \* 12/2018

**OTHER PUBLICATIONS**

Iris Ohyama Separable Type IH Jar Rice Cooker, posted Feb. 24, 2018 [online], retrieved May 22, 2019, retrieved from internet, <https://www.amazon.com/Separable-MEIGARADAKI-RC-SA30-B%E3%80%90Japan-Domestic-products%E3%80%91/dp/B079QQ337H>.\*

*Primary Examiner* — Barbara Fox

*Assistant Examiner* — Messina L Smith

(74) *Attorney, Agent, or Firm* — Studebaker & Brackett  
PC

(57) **CLAIM**

The ornamental design for a rice cooker, as shown and described.

**DESCRIPTION**

FIG. 1 is a front, top and right-side perspective view of a rice cooker showing my new design;

FIG. 2 is a front view thereof;

FIG. 3 is a rear view thereof;

FIG. 4 is a top view thereof;

FIG. 5 is a bottom view thereof;

FIG. 6 is a right-side view thereof, with the left-side view being a mirror image thereof;

FIG. 7 is a cross-sectional view taken along line 7-7 in FIG. 2;

FIG. 8 is another front, top and right-side perspective view thereof showing the heating portion separated from the rice cooking portion;

FIG. 9 is a front, top and right-side perspective view of the heating portion of the rice cooker of FIG. 1, shown separately to show aspects of the design that are not visible when combined;

FIG. 10 is a front view thereof;

FIG. 11 is a rear view thereof;

FIG. 12 is a top view thereof;

FIG. 13 is a bottom view thereof;

FIG. 14 is a right-side view thereof, with the left-side view being a mirror image thereof;

FIG. 15 is a cross-sectional view taken along line 15-15 in FIG. 10;

FIG. 16 is a front, top and right-side perspective view of the rice cooking portion of the rice cooker of FIG. 1, shown separately to show aspects of the design that are not visible when combined;

FIG. 17 is a front view thereof;

FIG. 18 is a rear view thereof;

FIG. 19 is a top view thereof;

FIG. 20 is a bottom view thereof;

(Continued)

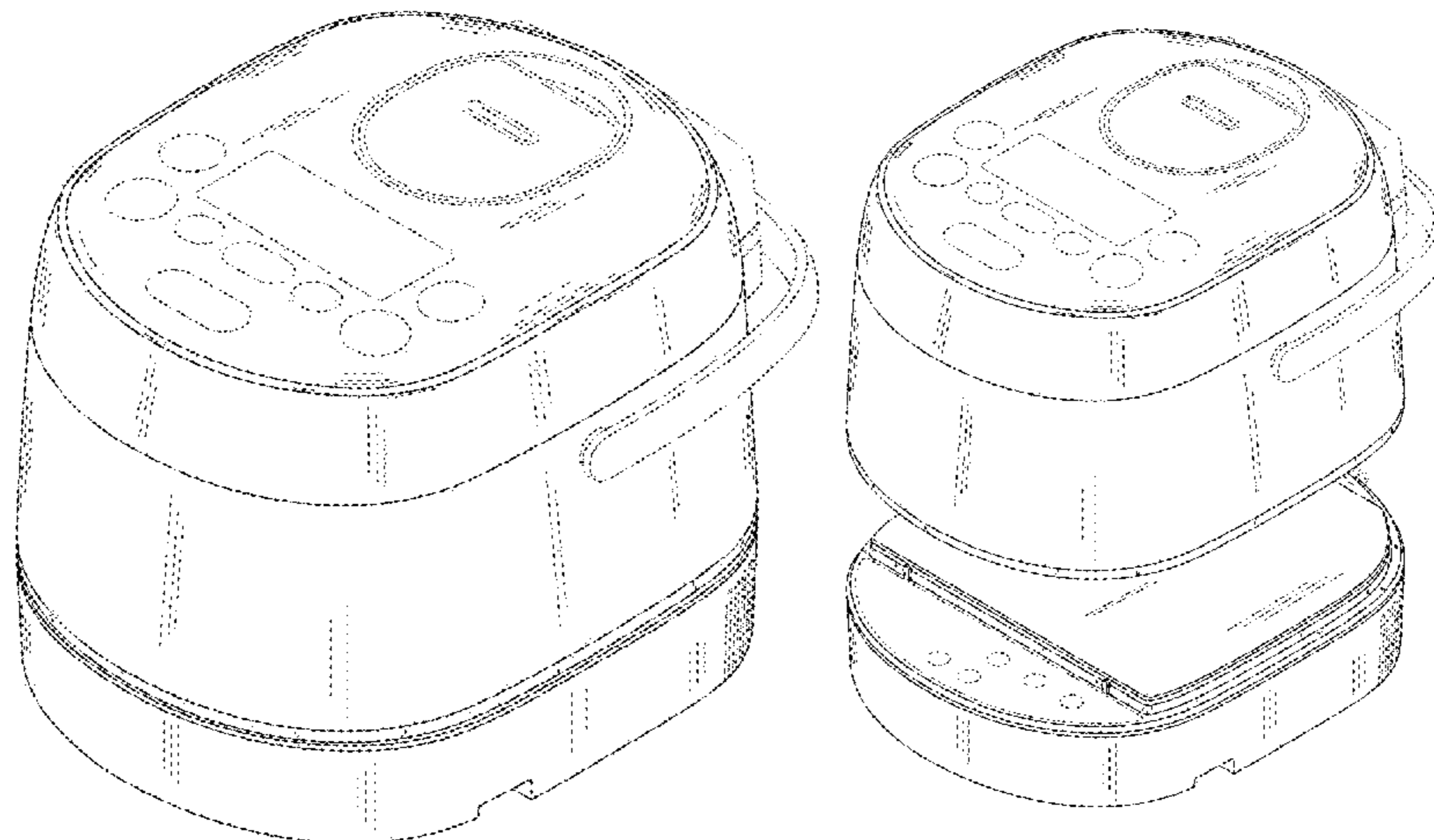


FIG. 21 is a right-side view thereof, with the left-side view being a mirror image thereof; and, FIG. 22 is a cross-sectional view taken along line 22-22 in FIG. 17.

The broken lines shown in the drawings depict portions of the rice cooker that form no part of the claimed design.

**1 Claim, 20 Drawing Sheets**

(58) **Field of Classification Search**

USPC ..... D7/362, 363, 364, 365, 366, 367, 393,  
D7/402, 403, 407, 408, 409, 410, 411,  
D7/601, 605  
CPC ..... A21B 1/06; A21B 1/50; A21B 1/52; A47J  
37/04; A47J 37/06; A47J 37/015; A47J  
37/067; A47J 37/0611; A47J 37/0629;  
A47J 37/0676; A47J 37/108; F24C 7/06;  
F24C 7/083; F24C 15/02; F24C 15/66;

H05B 3/20; H05B 3/40

See application file for complete search history.

(56)

**References Cited**

U.S. PATENT DOCUMENTS

D704,500	S	*	5/2014	Kim	.....	D7/354
D715,090	S	*	10/2014	Lin	.....	D7/354
D765,460	S	*	9/2016	Akiyama	.....	D7/354
D787,259	S	*	5/2017	Chung	.....	D7/354
D803,614	S	*	11/2017	Choi	.....	D7/354
D823,634	S	*	7/2018	Miyawaki	.....	D7/354
D827,360	S	*	9/2018	Chung	.....	D7/354
D830,104	S	*	10/2018	Miyawaki	.....	D7/354
D833,202	S	*	11/2018	Yang	.....	D7/358
D836,380	S	*	12/2018	Choi	.....	D7/354
D836,968	S	*	1/2019	Chung	.....	D7/354
D839,040	S	*	1/2019	Seymour	.....	D7/354
D841,388	S	*	2/2019	Zhang	.....	D7/354

\* cited by examiner

FIG. 1

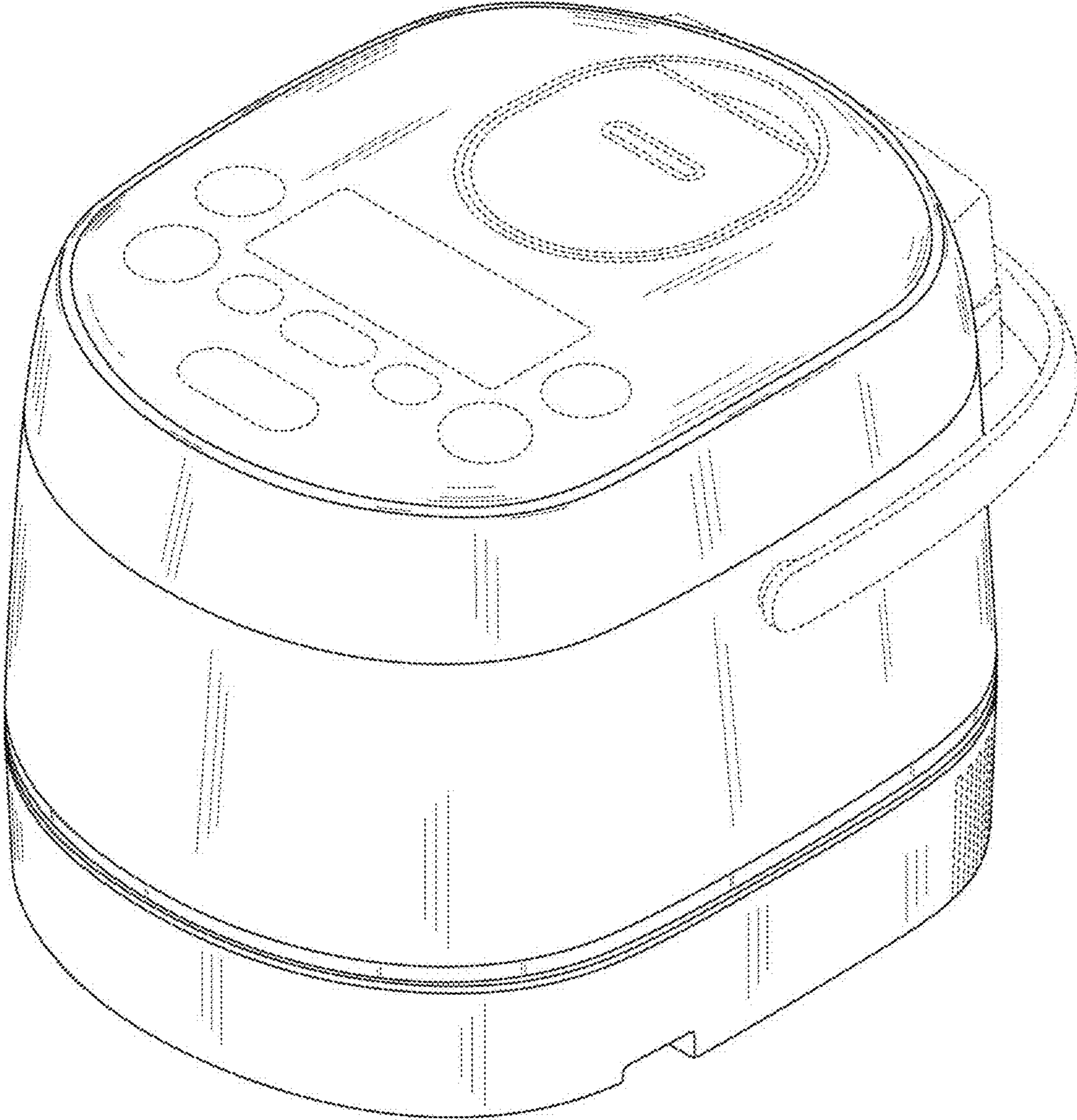


FIG. 2

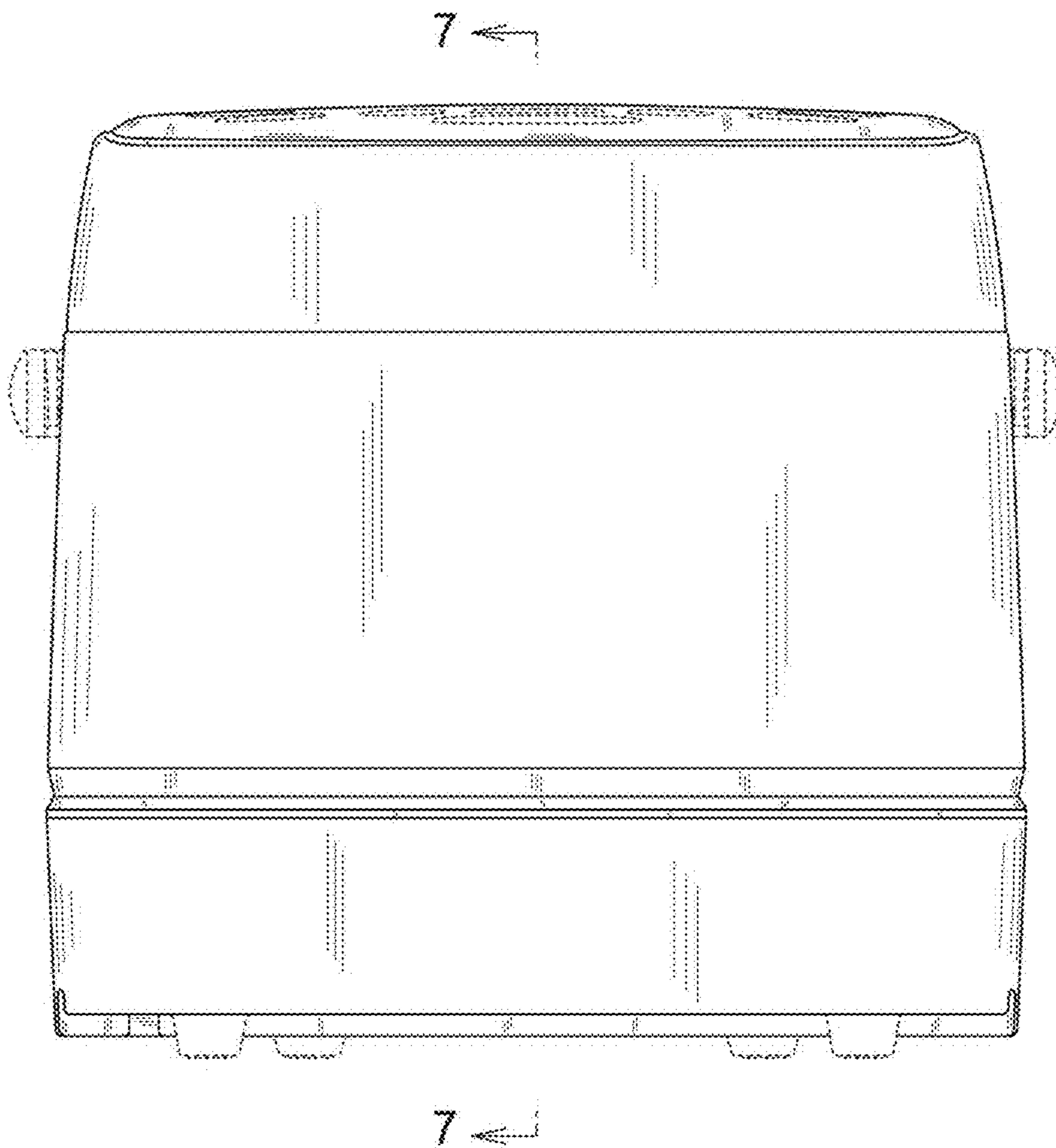


FIG. 3

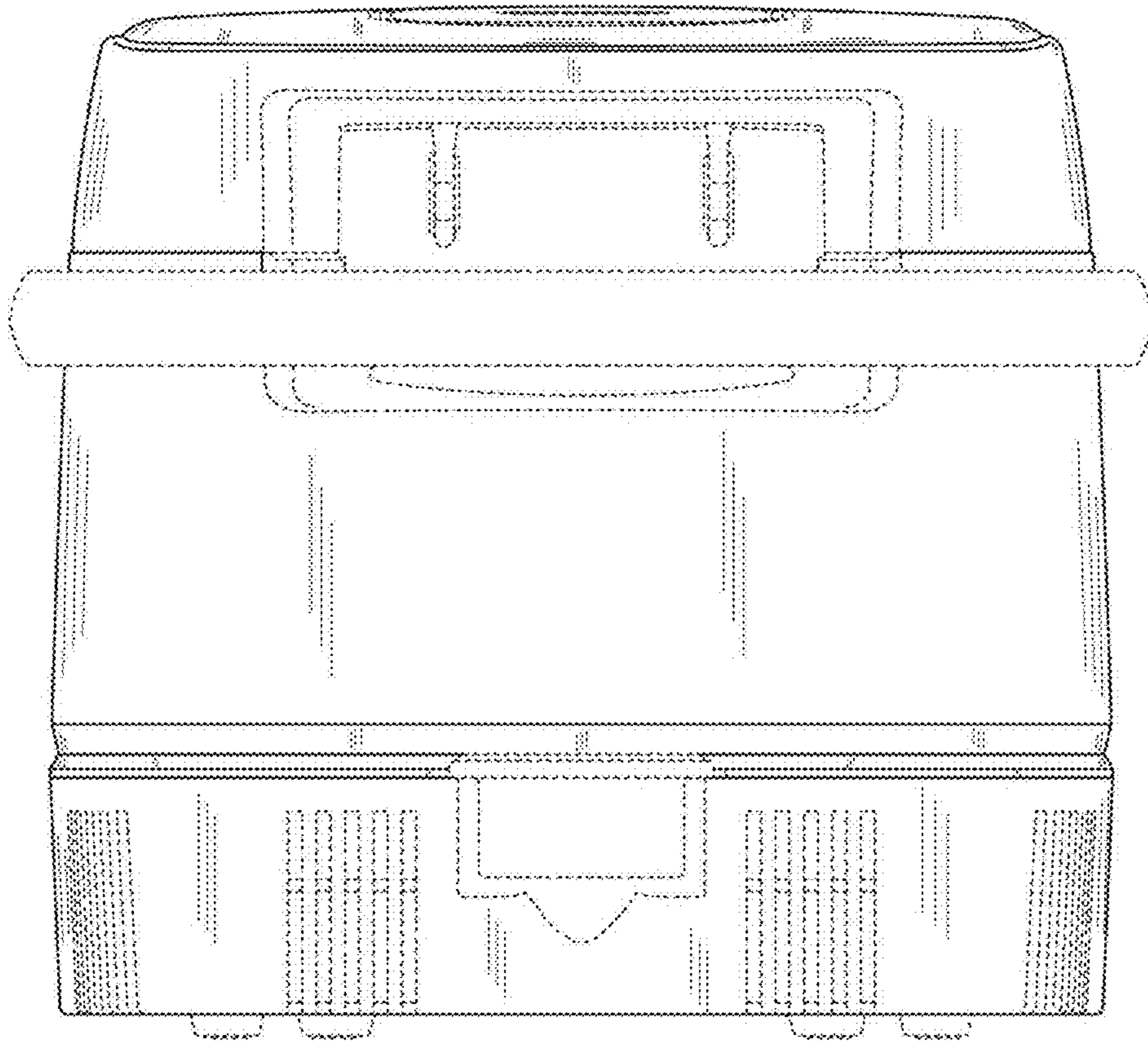


FIG. 4

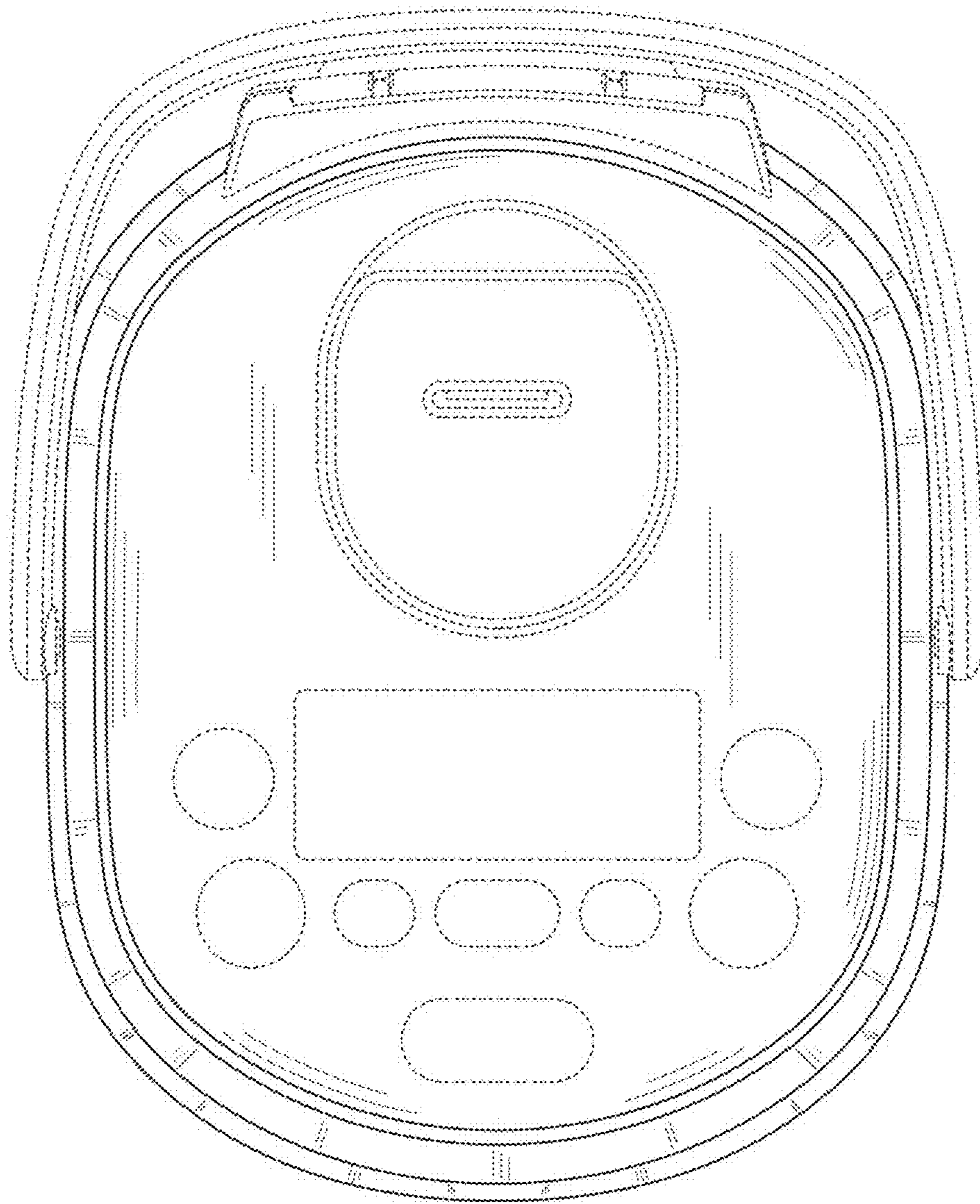


FIG. 5

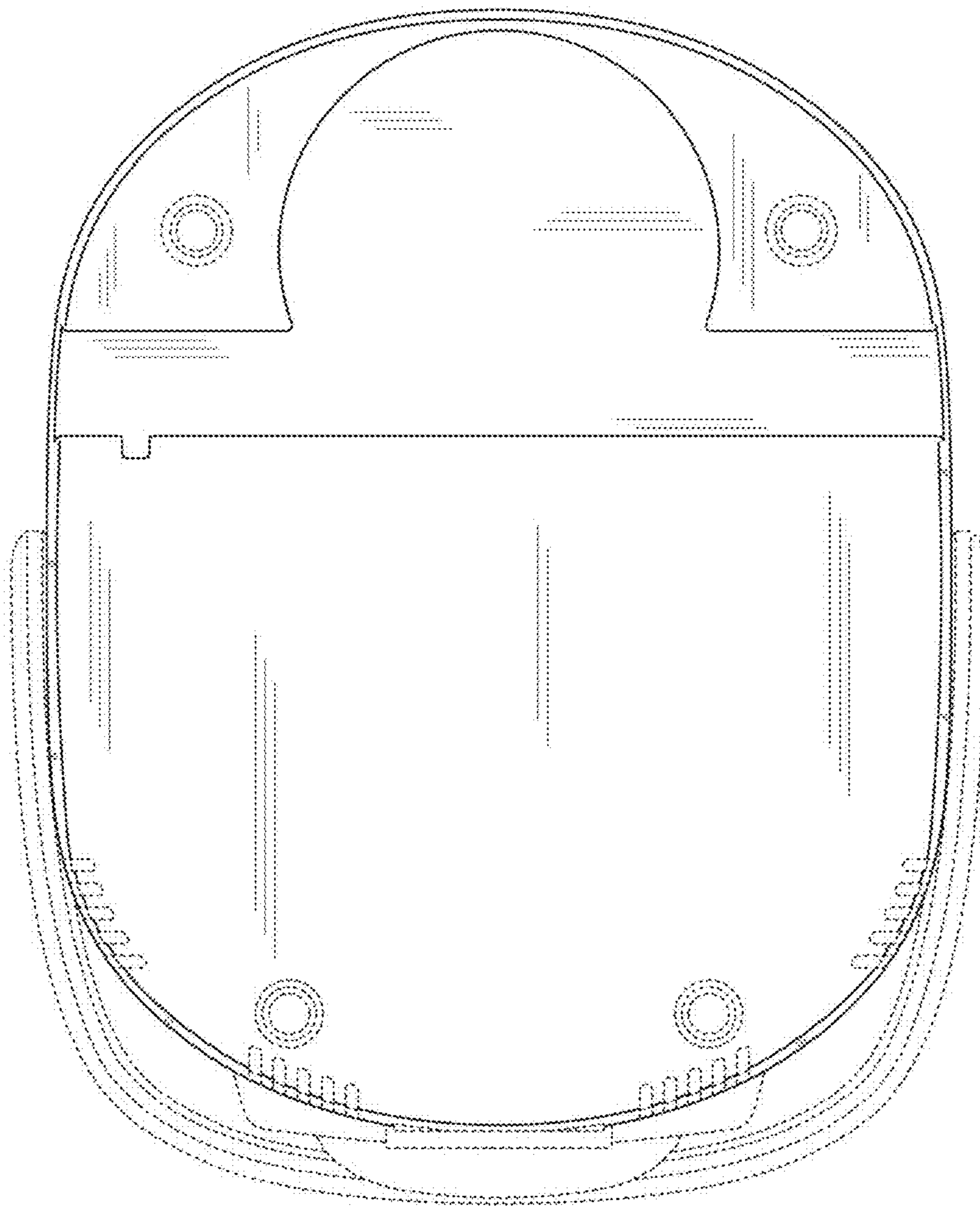


FIG. 6

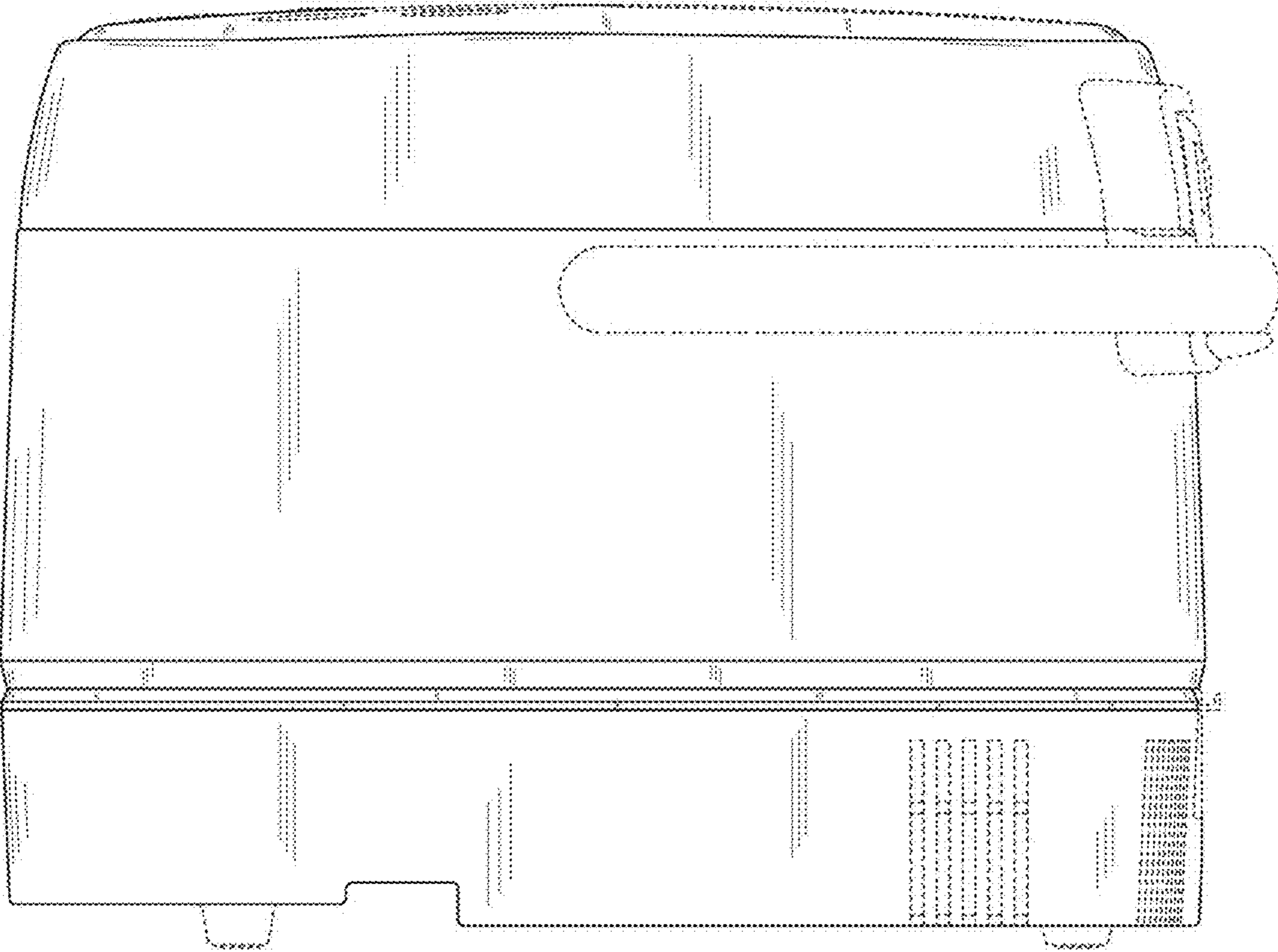




FIG. 7

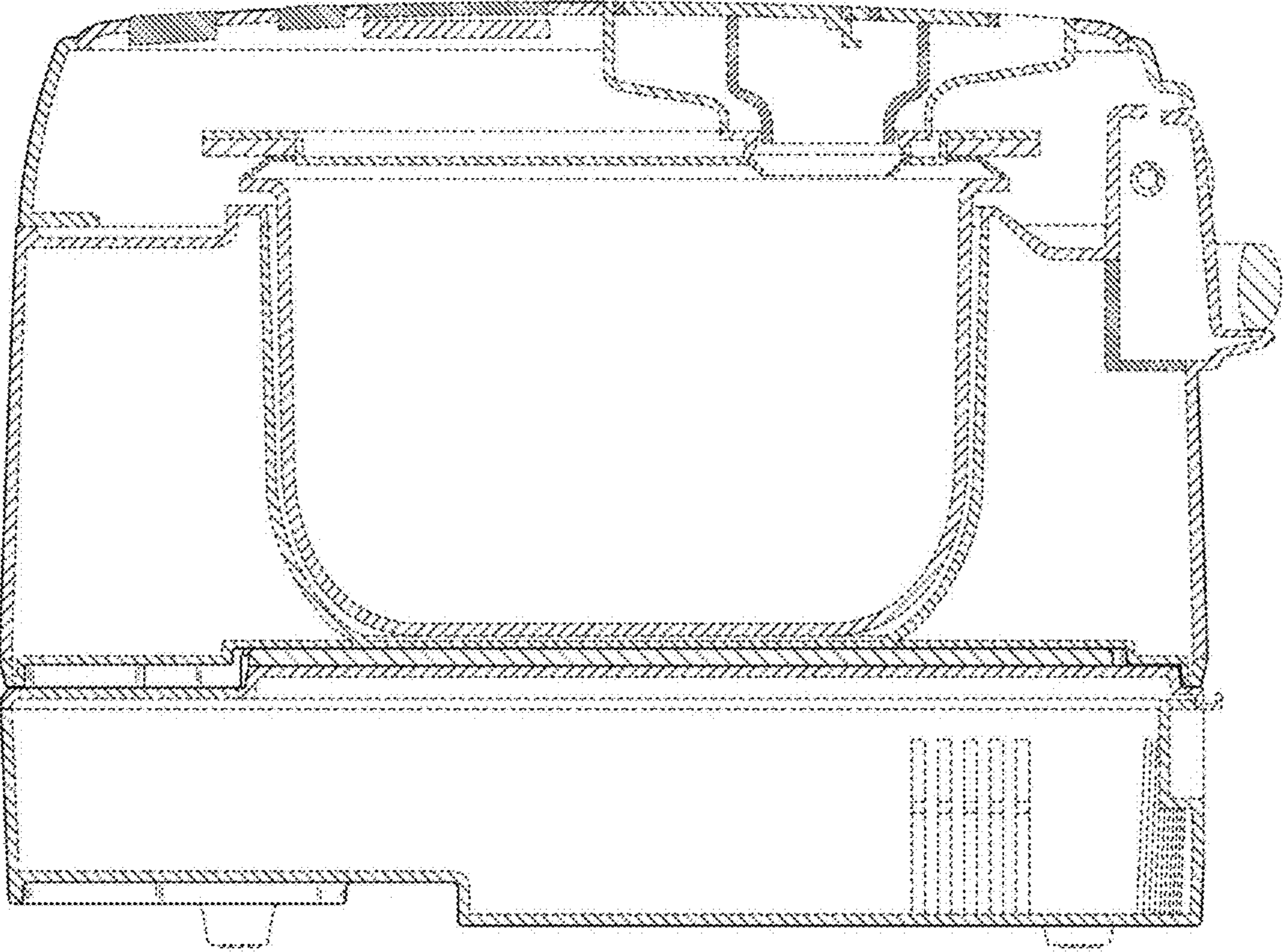


FIG. 8

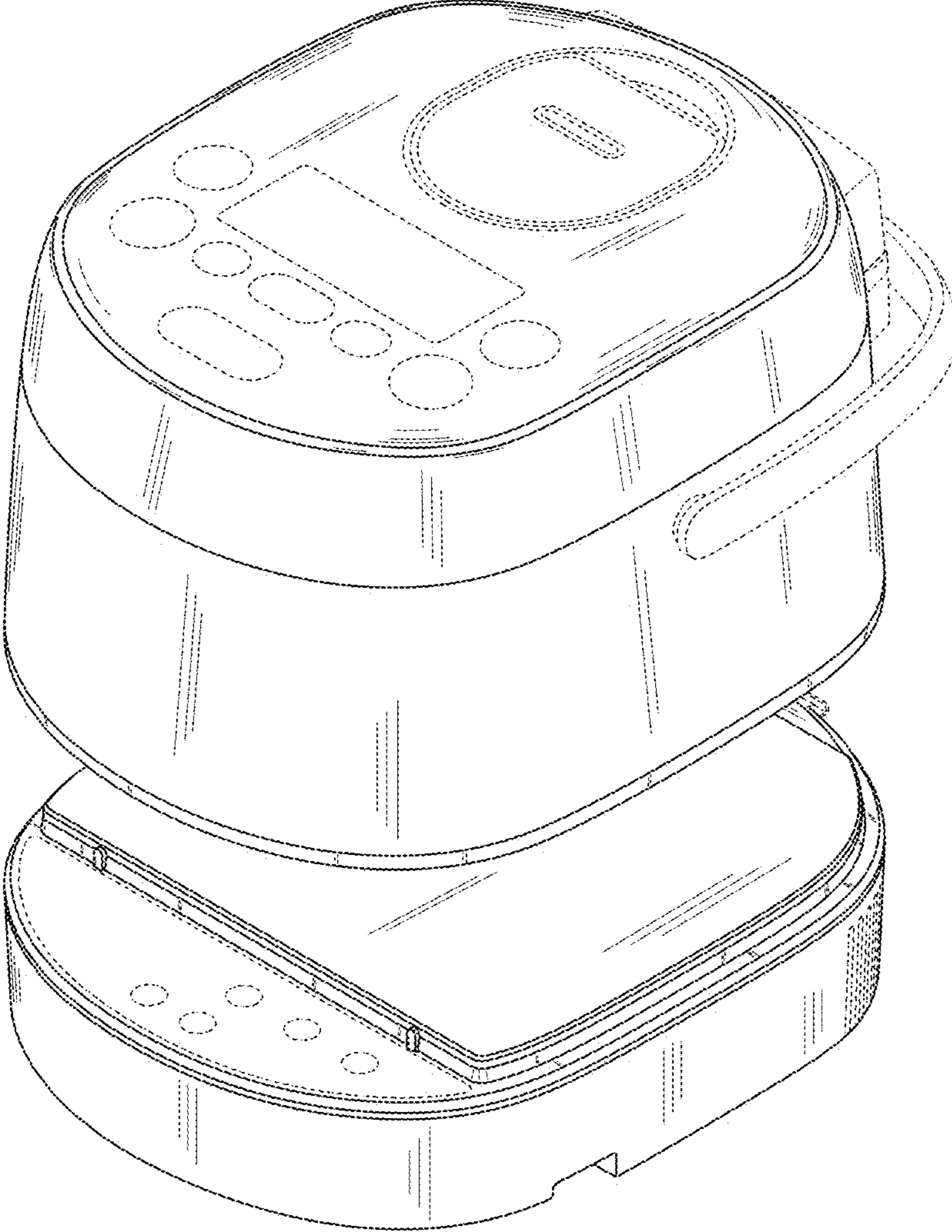


FIG. 9

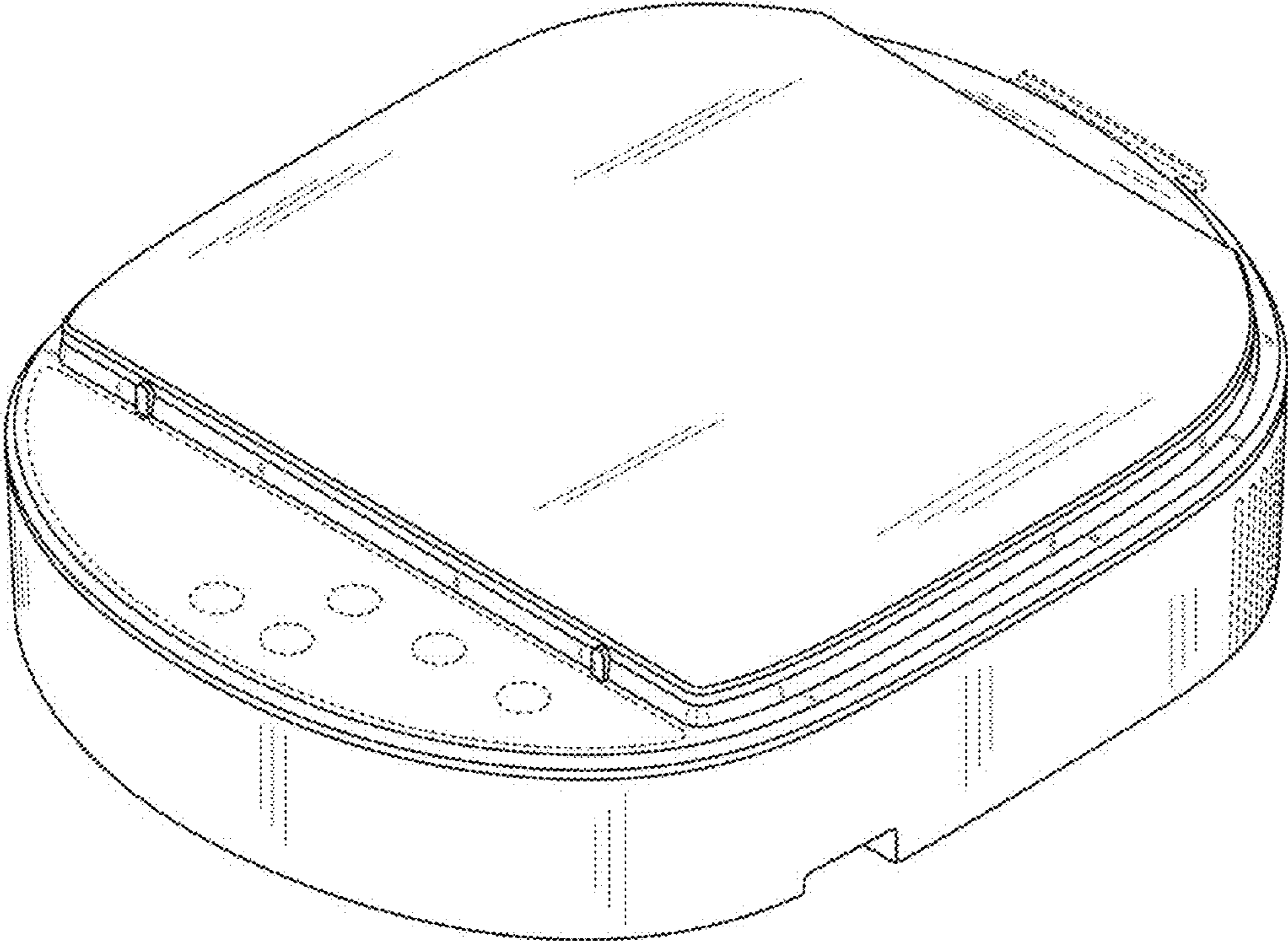


FIG. 10

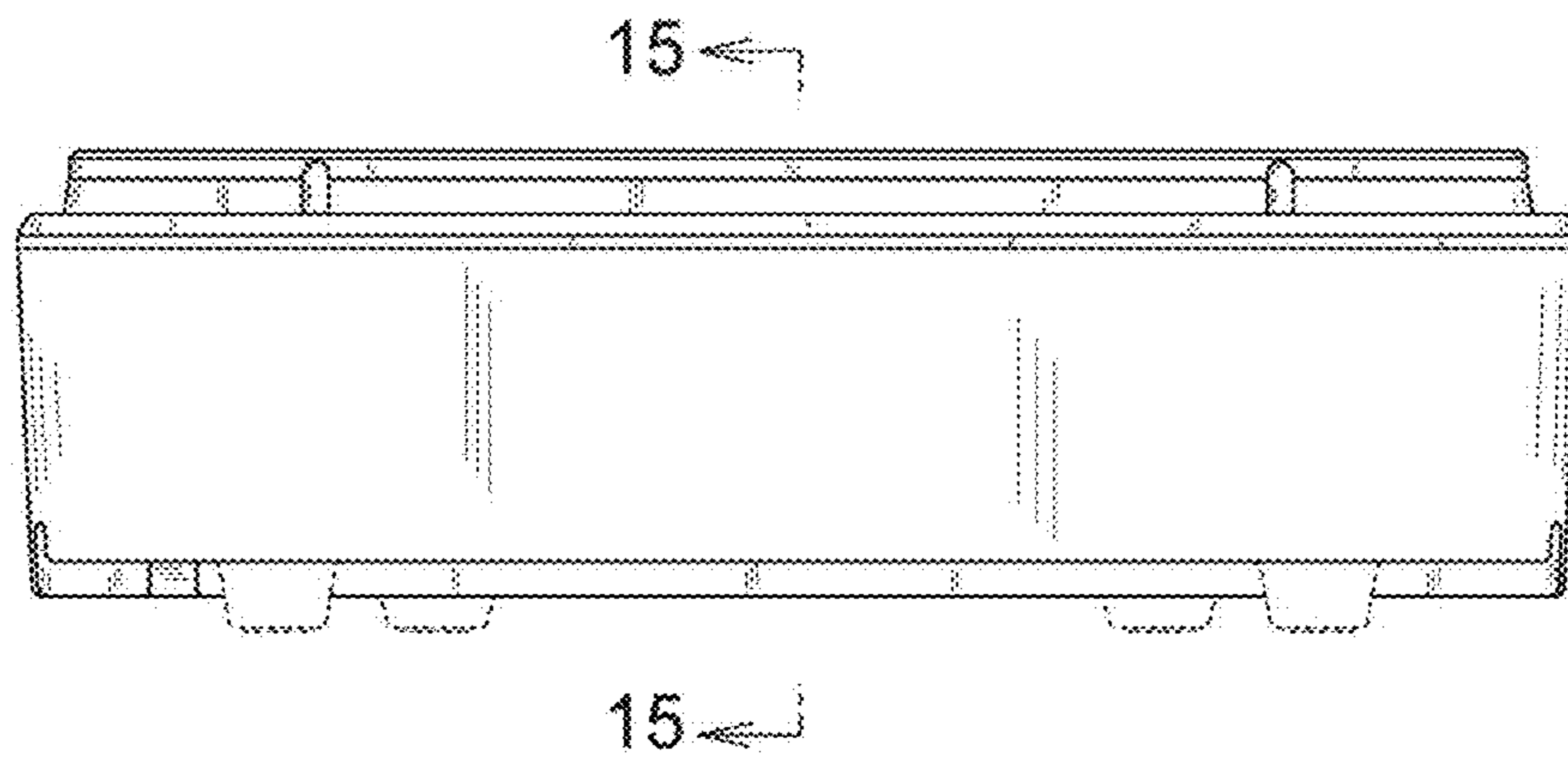


FIG. 11

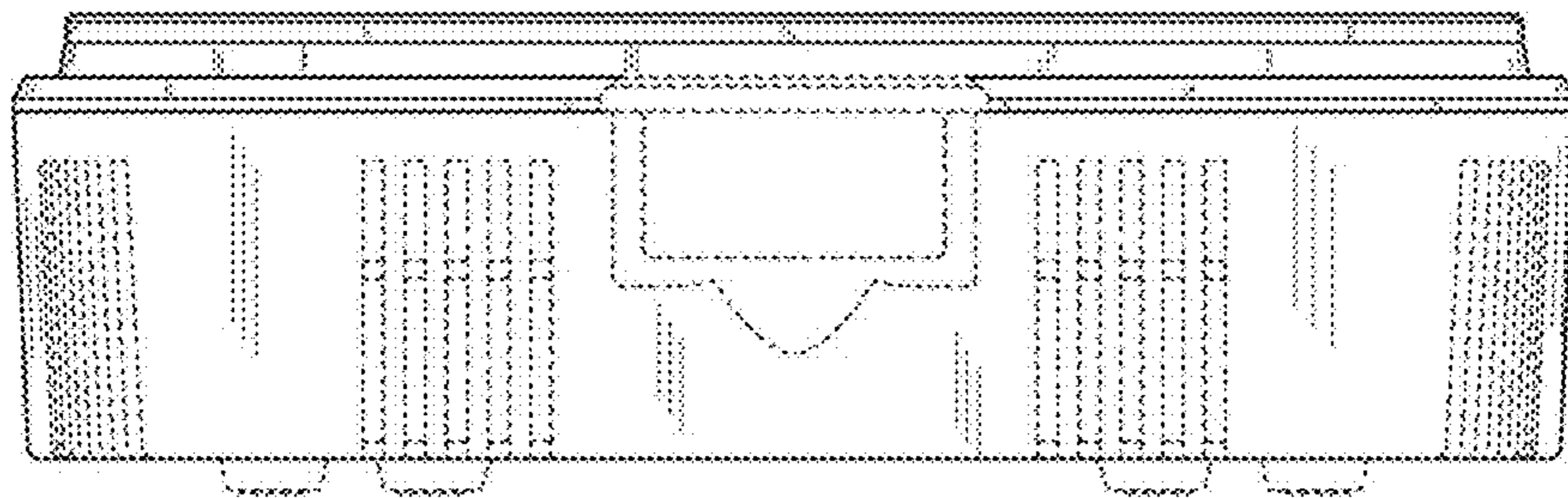


FIG. 12

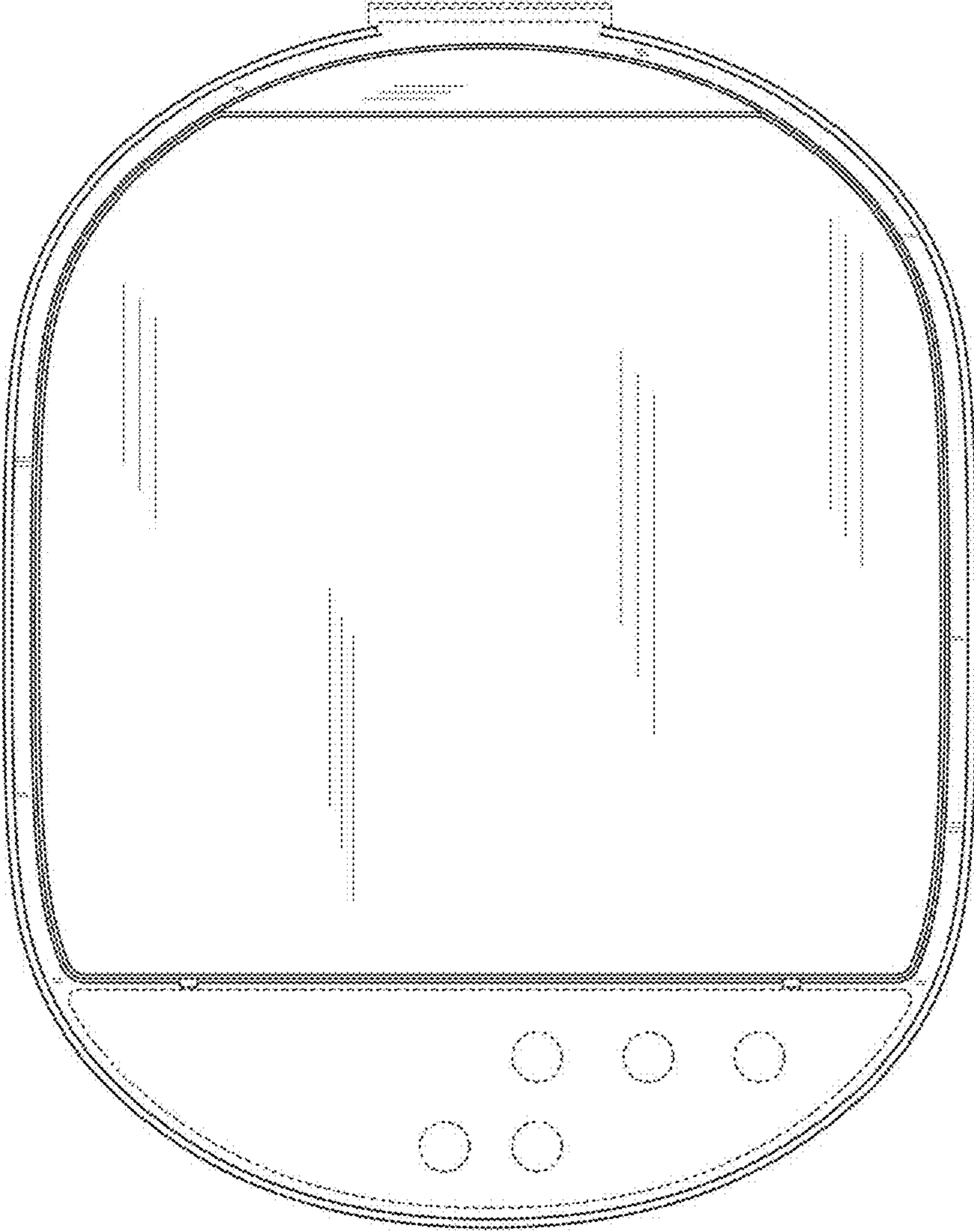


FIG. 13

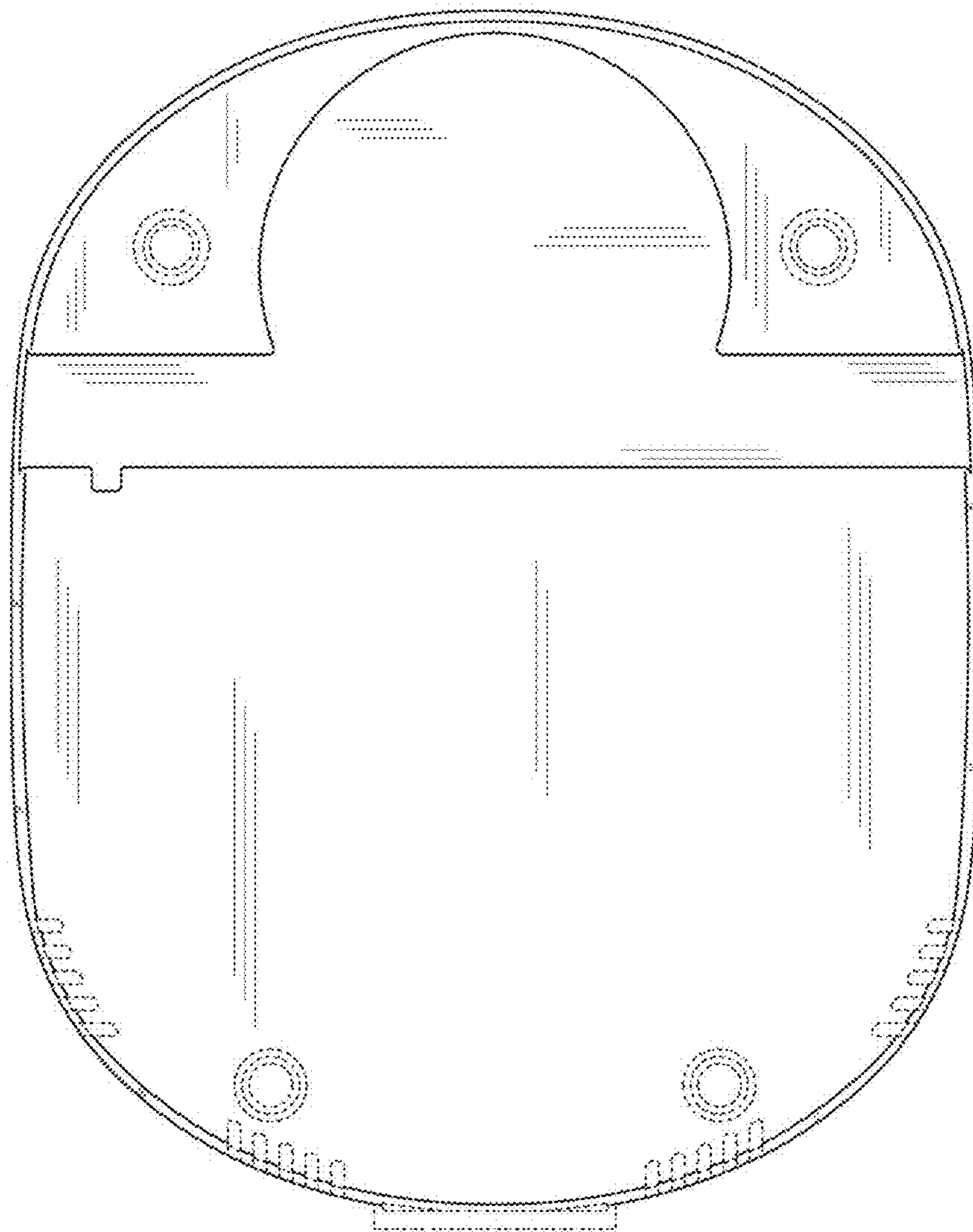


FIG. 14

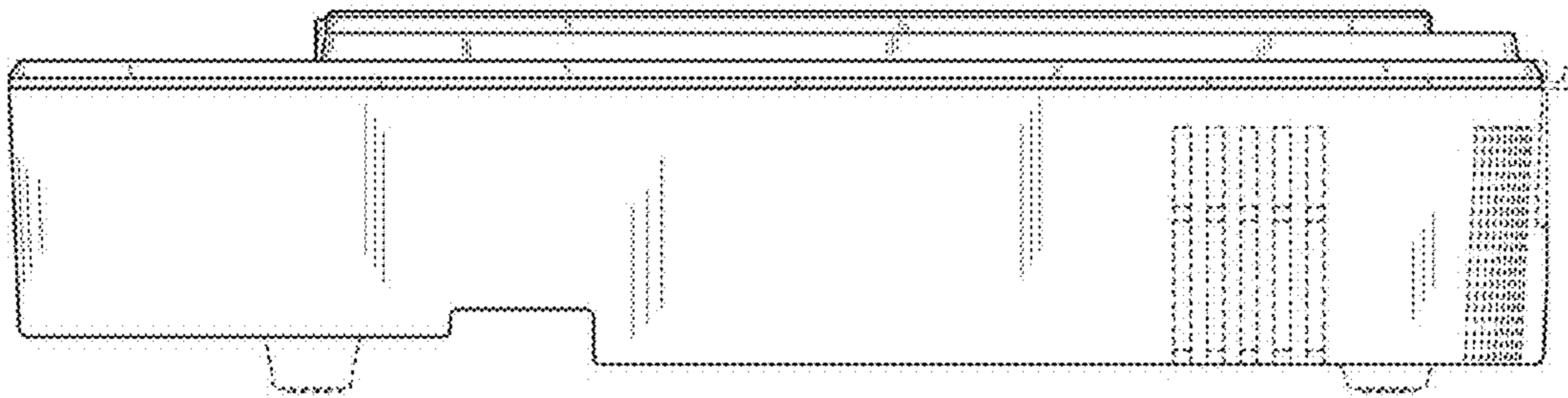


FIG. 15

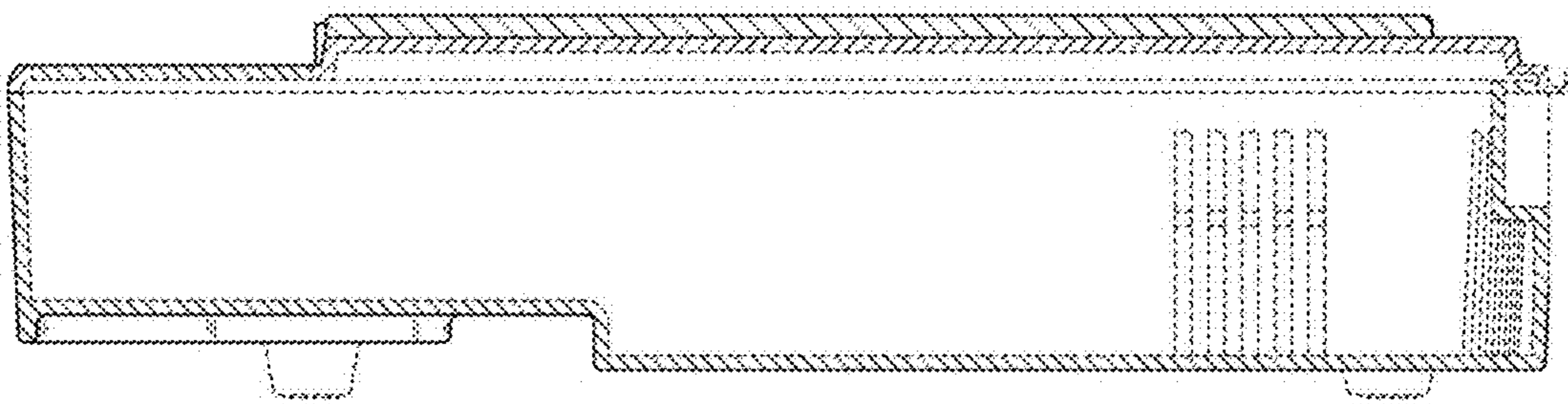


FIG. 16

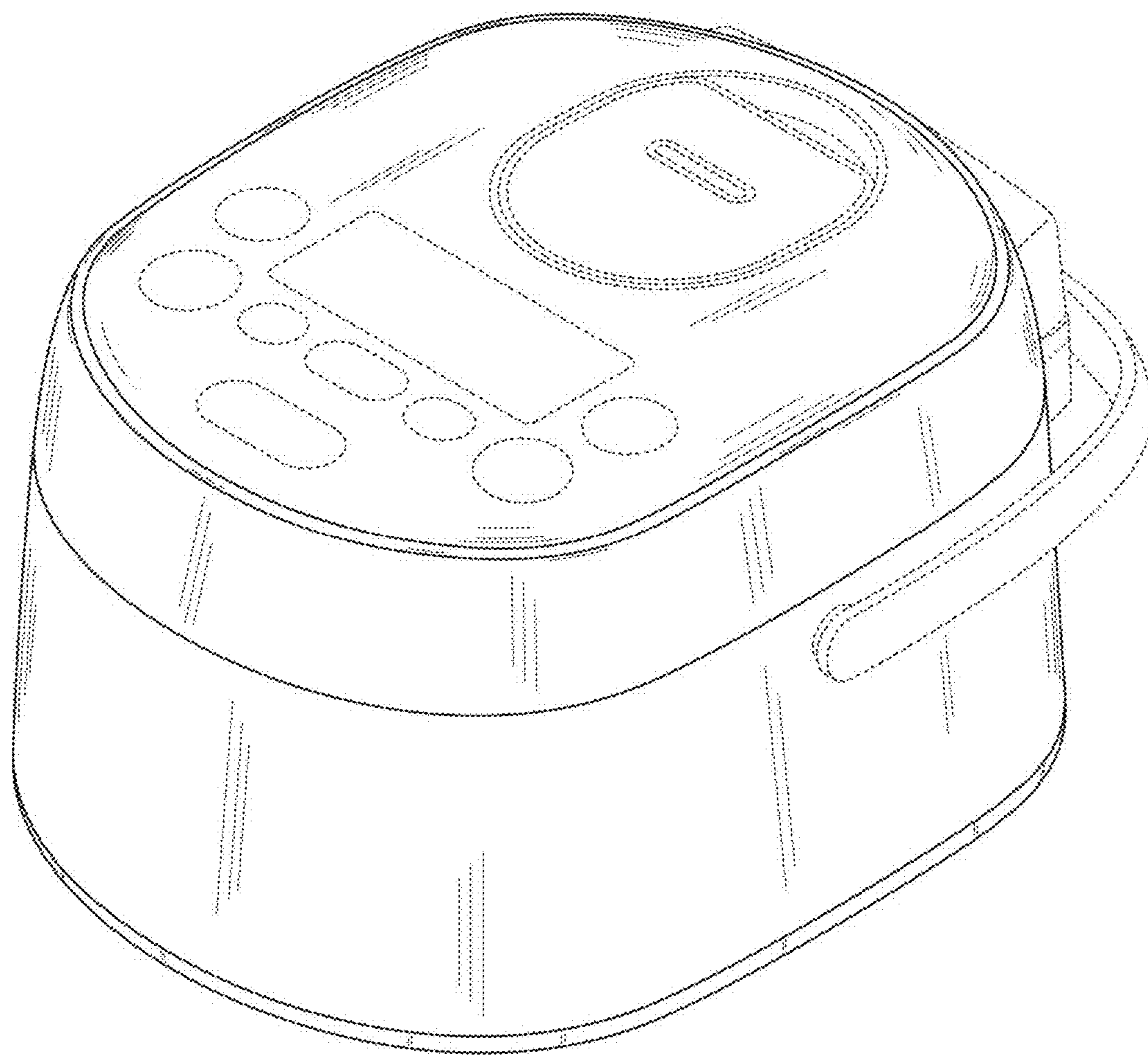




FIG. 17

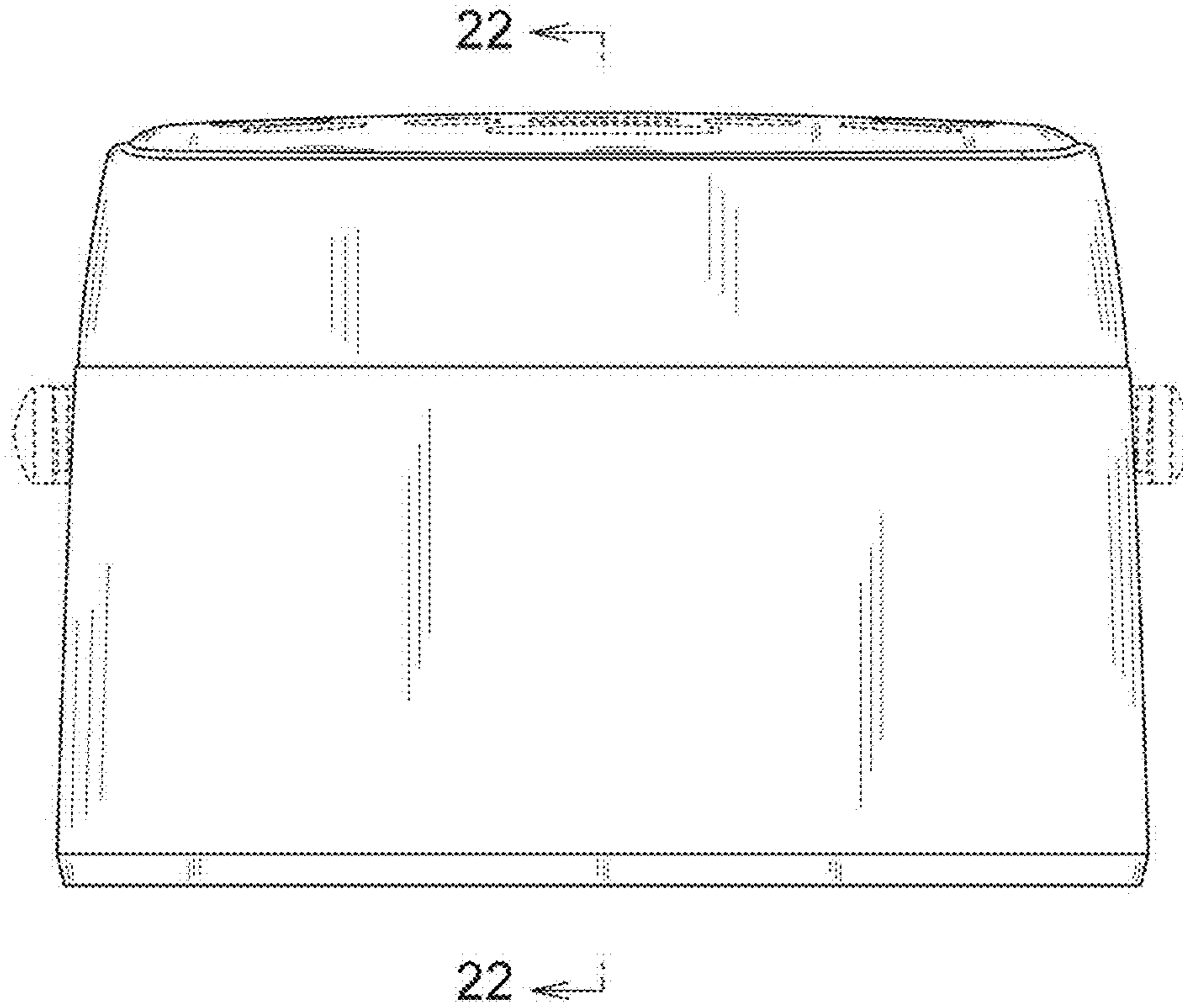


FIG. 18

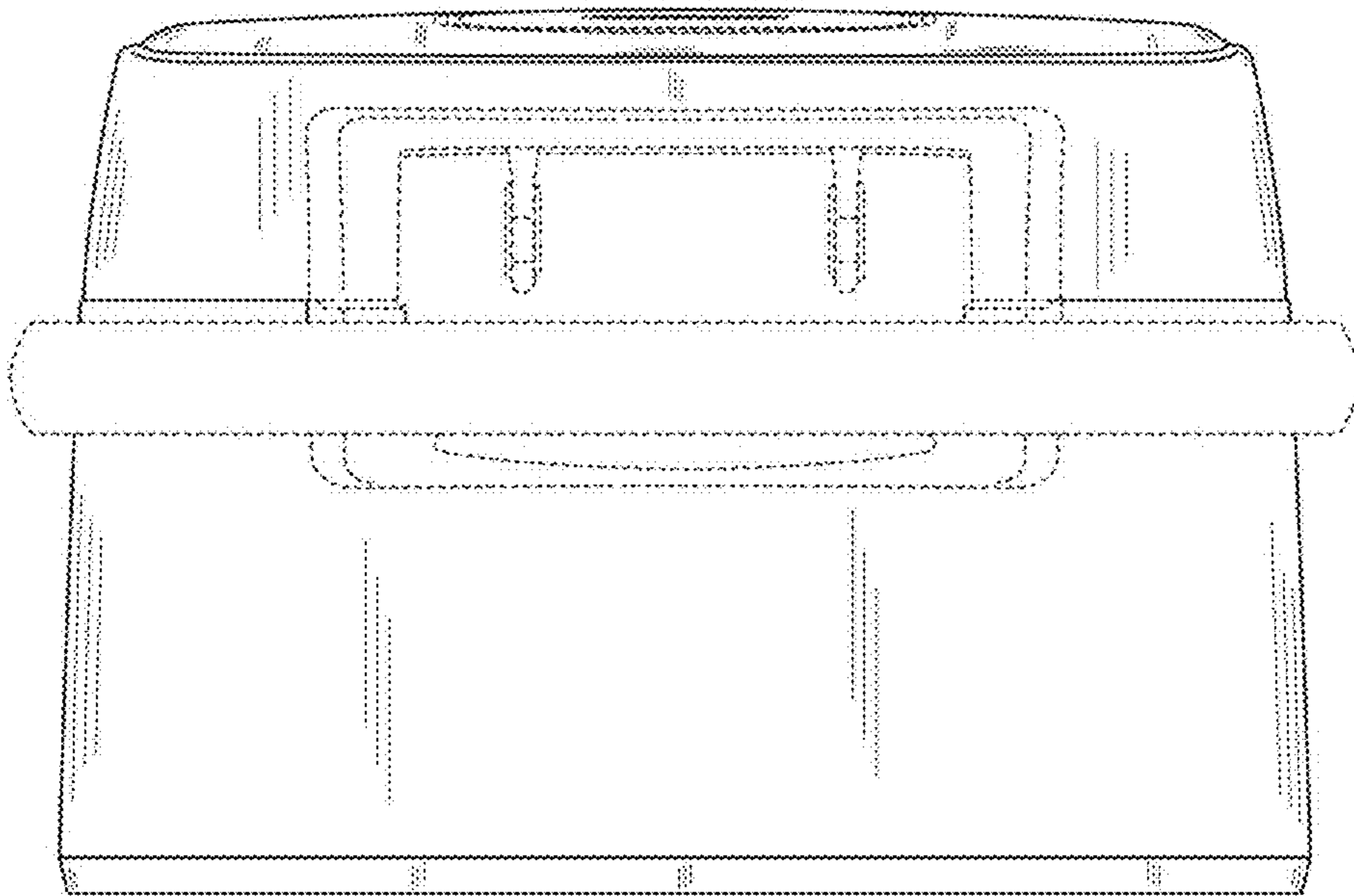


FIG. 19

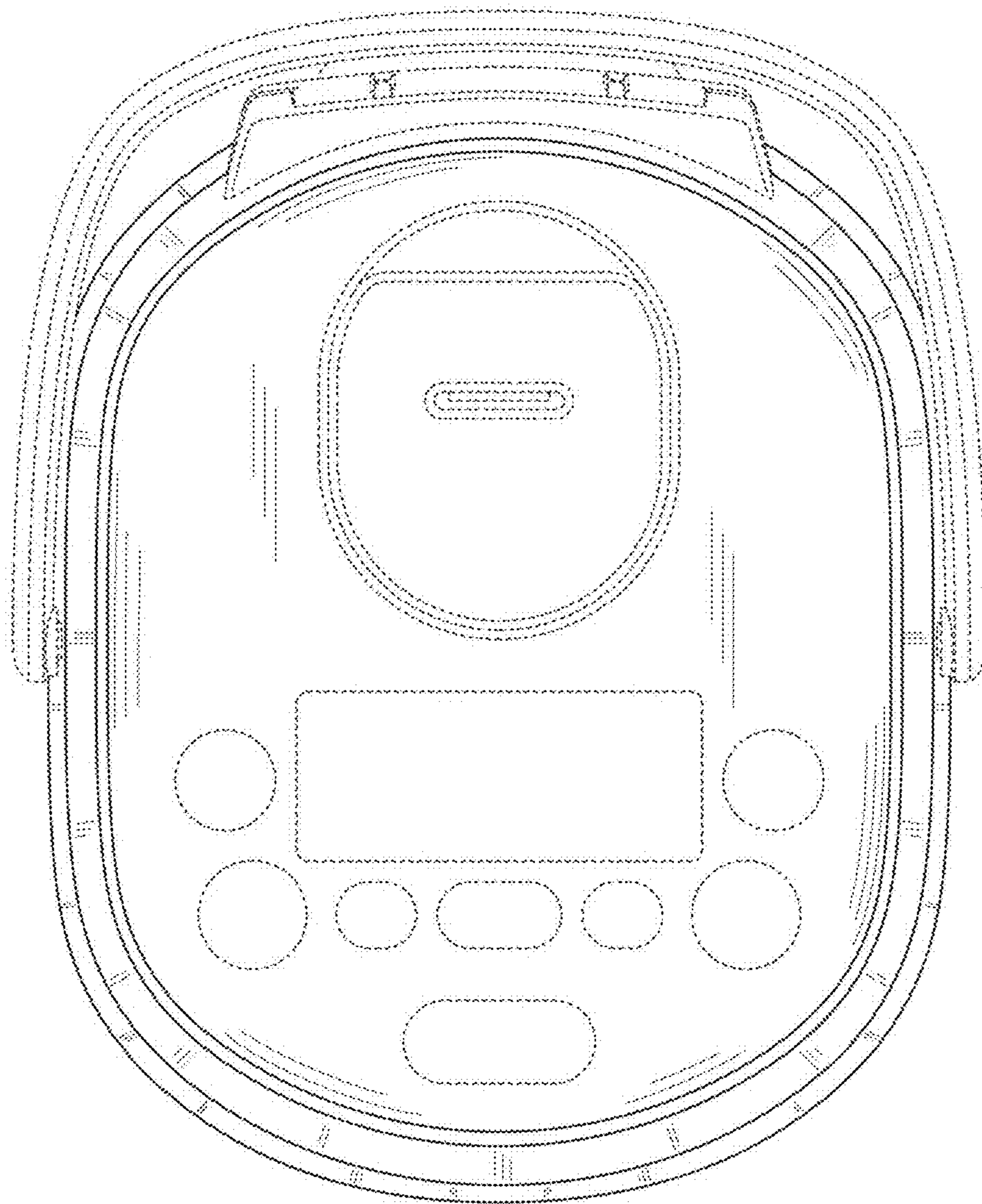


FIG. 20

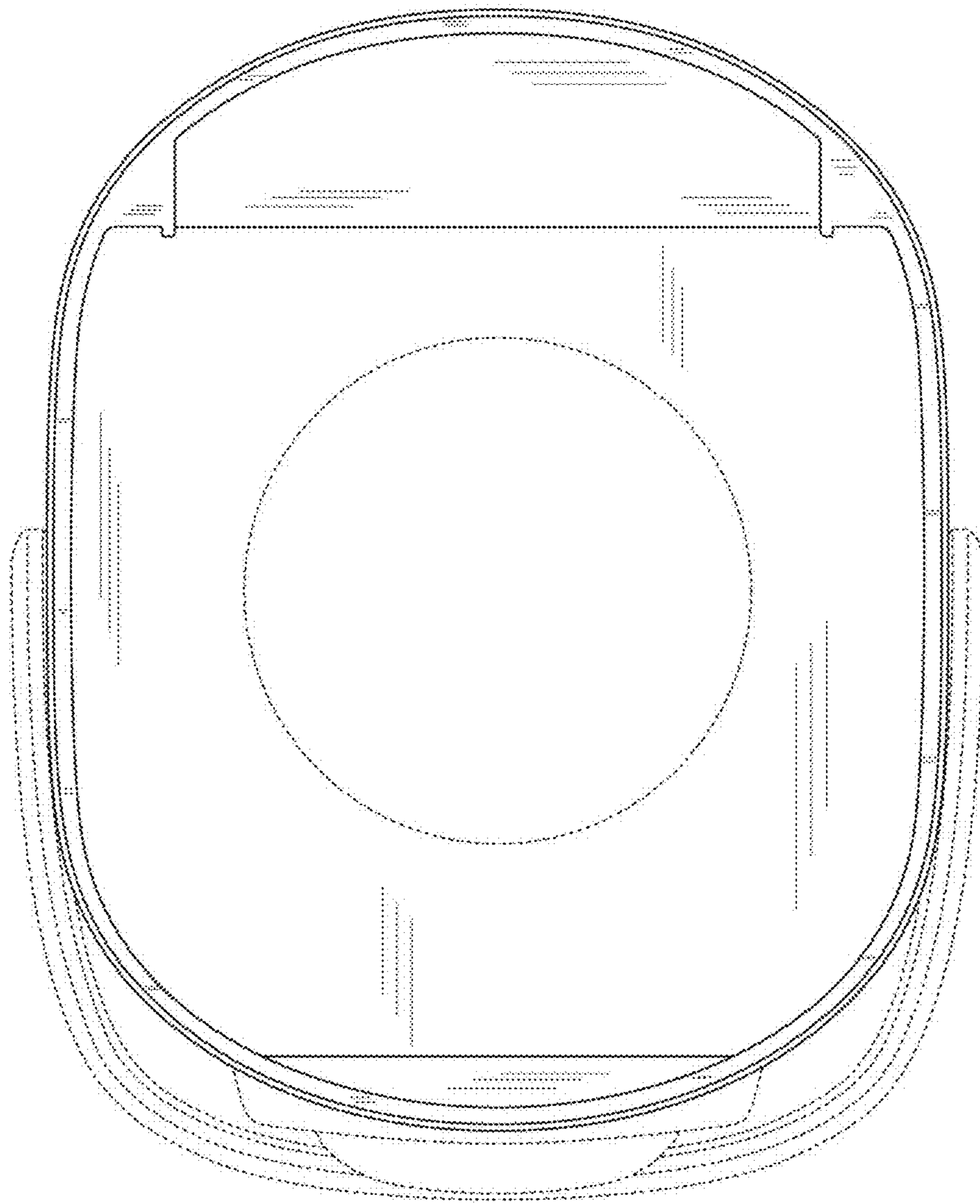


FIG. 21

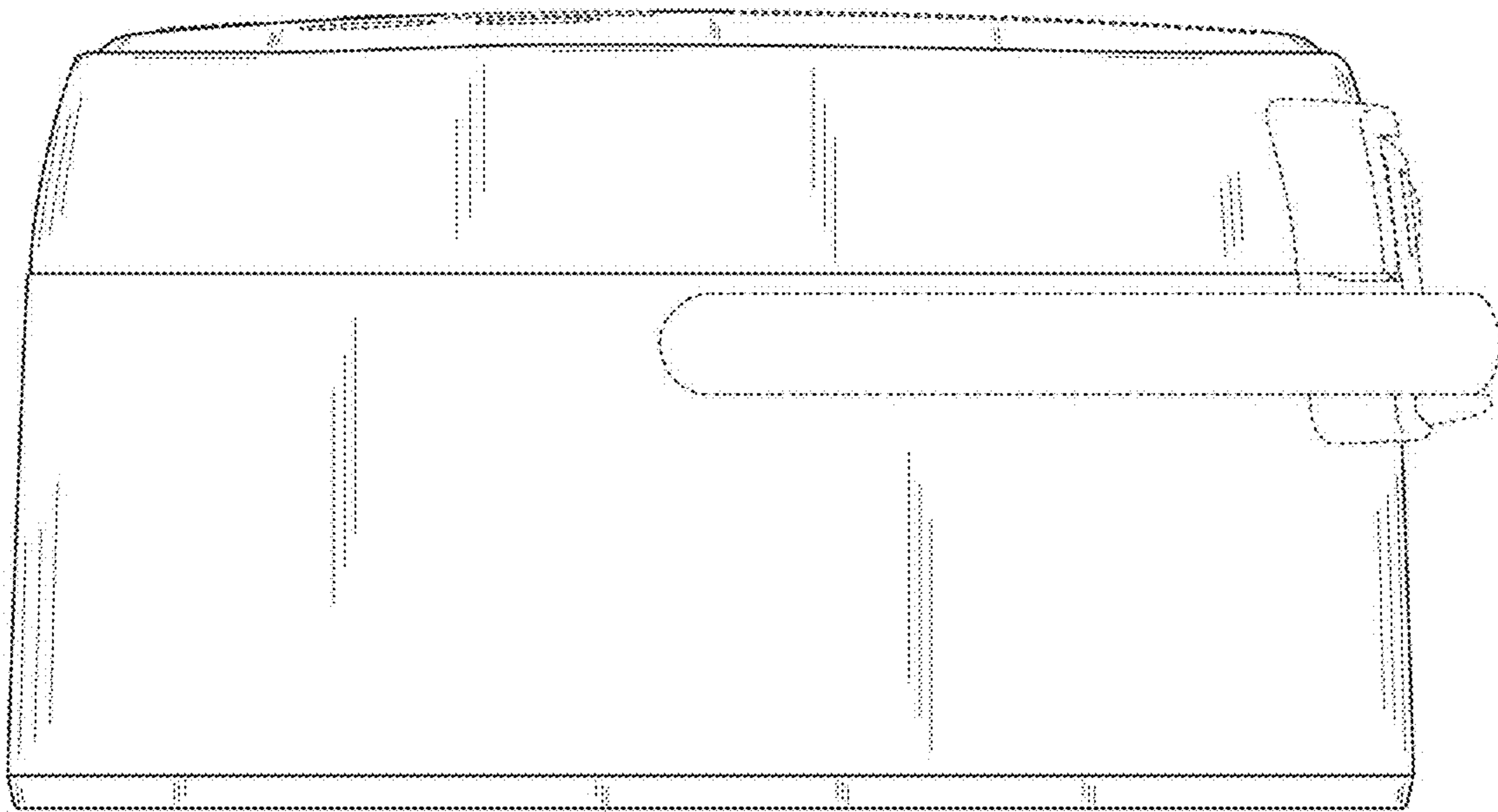


FIG. 22

