



US00D871824S

(12) **United States Design Patent**
Chevalier et al.

(10) **Patent No.:** **US D871,824 S**
(45) **Date of Patent:** **** Jan. 7, 2020**

(54) **SLIDE OUT KITCHEN**

(71) Applicant: **Dometic Sweden AB**, Solna (SE)

(72) Inventors: **Nicolas Chevalier**, Camberwell (AU);
Samuele Meda, Solna (SE); **Joakim Ahlström**, Täby (SE)

(73) Assignee: **Dometic Sweden AB**, Solna (SE)

(**) Term: **15 Years**

(21) Appl. No.: **29/631,234**

(22) Filed: **Dec. 28, 2017**

(30) **Foreign Application Priority Data**

Jun. 29, 2017 (AU) 201713975

(51) **LOC (12) Cl.** **07-02**

(52) **U.S. Cl.**
USPC **D7/346; D23/272**

(58) **Field of Classification Search**
USPC D7/332-337, 351-353, 402-409,
D7/339-340, 346-349, 362-367;
D23/271-272; D6/699.2

(Continued)

(56) **References Cited**

U.S. PATENT DOCUMENTS

2,180,459 A * 11/1939 Earle F24C 15/18
126/299 R
2,907,316 A * 10/1959 Windust F24C 1/16
126/24

(Continued)

FOREIGN PATENT DOCUMENTS

AU 201713974 6/2017
AU 201713975 6/2017

(Continued)

OTHER PUBLICATIONS

Transmittal Letter of Related Cases dated Oct. 4, 2018.

(Continued)

Primary Examiner — Brett Miller

(74) *Attorney, Agent, or Firm* — Middleton Reutlinger

(57) **CLAIM**

The ornamental design for a slide out kitchen, as shown and described.

DESCRIPTION

FIG. 1 is an upper perspective view of a first slide out kitchen design;

FIG. 2 is a top view of the slide out kitchen design of FIG. 1;

FIG. 3 is a bottom view of the slide out kitchen design of FIG. 1;

FIG. 4 is a first side view of the slide out kitchen design of FIG. 1;

FIG. 5 is a second side view of the slide out kitchen design of FIG. 1;

FIG. 6 is a front view of the slide out kitchen design of FIG. 1;

FIG. 7 is a rear view of the slide out kitchen design of FIG. 1;

FIG. 8 is an upper perspective view of the slide out kitchen design of FIG. 1 in a mounted configuration;

FIG. 9 is a second upper perspective view of the slide out kitchen design of FIG. 1 including accessories shown in broken line;

FIG. 10 is an upper perspective view of a second slide out kitchen design;

FIG. 11 is a top view of the slide out kitchen design of FIG. 10;

FIG. 12 is a bottom view of the slide out kitchen design of FIG. 10;

FIG. 13 is a first side view of the slide out kitchen design of FIG. 10;

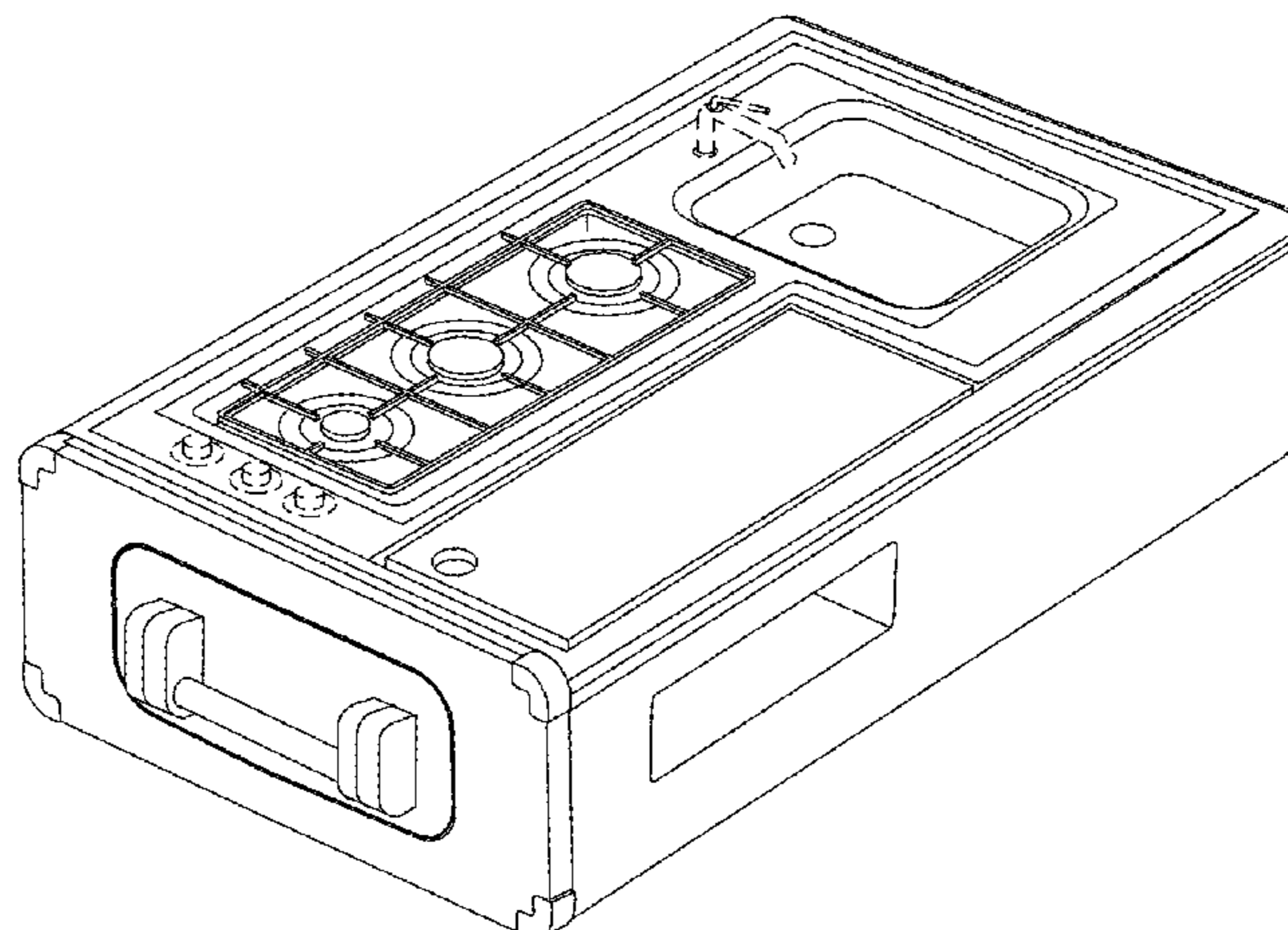
FIG. 14 is a second side view of the slide out kitchen design of FIG. 10;

FIG. 15 is a front view of the slide out kitchen design of FIG. 10;

FIG. 16 is a rear view of the slide out kitchen design of FIG. 10; and,

FIG. 17 is an upper perspective view of the slide out kitchen design of FIG. 10 in a mounted configuration.

(Continued)



The broken line disclosure represents unclaimed portions of the slide out kitchen in which the design is embodied.

1 Claim, 17 Drawing Sheets

(58) Field of Classification Search

CPC A47J 37/07-0781; A47J 37/0786; A47J 33/00; A47J 37/067; A47J 37/0676; A23B 4/044-056; F24B 1/202; F24B 1/205; F24C 15/18; A47B 77/00-08
See application file for complete search history.

CN	201730678291.4	12/2017
CN	201730679137.9	12/2017
DE	86 11 375 U1	8/1987
DE	103 57 306 A1	7/2005
EM	001463533-0001	12/2017
EM	001463558-0001	12/2017
EM	001463566-0001	12/2017
EM	001463574-0001	12/2017
EM	001463582-0001	12/2017
EM	001463590-0001	12/2017
EM	001463608-0001	12/2017
EM	001463608-0002	12/2017
EP	3 019 060 A1	5/2016
FR	2 535 265 A1	5/1984
WO	2018/234979 A1	12/2018

(56) References Cited

U.S. PATENT DOCUMENTS

D191,250 S *	8/1961	Pappas	126/37 R
3,472,219 A *	10/1969	Roy	A47B 77/022 126/37 R
6,098,346 A	8/2000	Miller et al.	
6,213,575 B1 *	4/2001	Brin, Jr.	A47B 77/04 108/147
6,334,684 B1 *	1/2002	Yoshida	G03B 21/001 353/28
6,349,715 B1 *	2/2002	McBroom	F24C 15/18 126/276
D472,756 S *	4/2003	Pai	D7/334
6,647,978 B1 *	11/2003	Khosropour	F24C 15/2085 126/299 D
D516,856 S *	3/2006	Langhammer	D7/347
D548,515 S *	8/2007	Thygesen	D7/347
D560,420 S *	1/2008	Roth	D7/334
D578,349 S *	10/2008	Rieser	D7/402
D609,960 S *	2/2010	Cutino	D7/346
9,726,380 B2	8/2017	Reischmann	
10,065,278 B2 *	9/2018	Jonovic	B23P 19/00
2004/0026946 A1 *	2/2004	Reed, III	B60P 3/0257 296/24.3
2008/0245242 A1 *	10/2008	Birdsall	A47B 77/02 99/449
2009/0108718 A1 *	4/2009	Craig	A47B 77/02 312/109
2013/0113343 A1 *	5/2013	Singlak	A47B 77/00 312/100
2017/0290454 A1 *	10/2017	Hall	A47B 77/06

FOREIGN PATENT DOCUMENTS

AU	201713974	7/2017
AU	201713975	7/2017

OTHER PUBLICATIONS

Design U.S. Appl. No. 29/631,233 entitled "Slide Out Kitchen" filed Dec. 28, 2017.
Chinese Patent Application No. 201730679137.9 entitled "Slide Out Kitchen" filed Dec. 28, 2017.
SIPO, First Notification to Make Rectifications for Chinese Patent Application No. 201730679137.9 dated May 25, 2018.
Chinese Patent Application No. 201730678291.4 entitled "Slide Out Kitchen" filed Dec. 28, 2017.
SIPO, First Notification to Make Rectifications for Chinese Patent Application No. 201730678291.4 dated May 23, 2018.
European Design Patent Application No. 004554194 filed Dec. 17, 2017.
EUIPO, Notification of registration of Community Design No. 001463533-0001 dated Jan. 31, 2018.
EUIPO, Notification of registration of Community Design No. 001463558-0001 dated Jan. 31, 2018.
EUIPO, Notification of registration of Community Design No. 001463566-0001 dated Jan. 31, 2018.
EUIPO, Notification of registration of Community Design No. 001463574-0001 dated Jan. 31, 2018.
EUIPO, Notification of registration of Community Design No. 001463582-0001 dated Jan. 31, 2018.
EUIPO, Notification of registration of Community Design No. 001463590-0001 dated Jan. 31, 2018.
EUIPO, Notification of registration of Community Design No. 001463608-0001 and 001463609-0002 dated Jan. 31, 2018.
U.S. Appl. No. 29/631,233, filed Dec. 28, 2017.
AU Provisional Patent Application No. 2017902347 entitled "Slide Out Kitchen" filed Jun. 20, 2017.
International Search Report and Written Opinion for International Application No. PCT/IB2018/054484, dated Oct. 12, 2018.

* cited by examiner

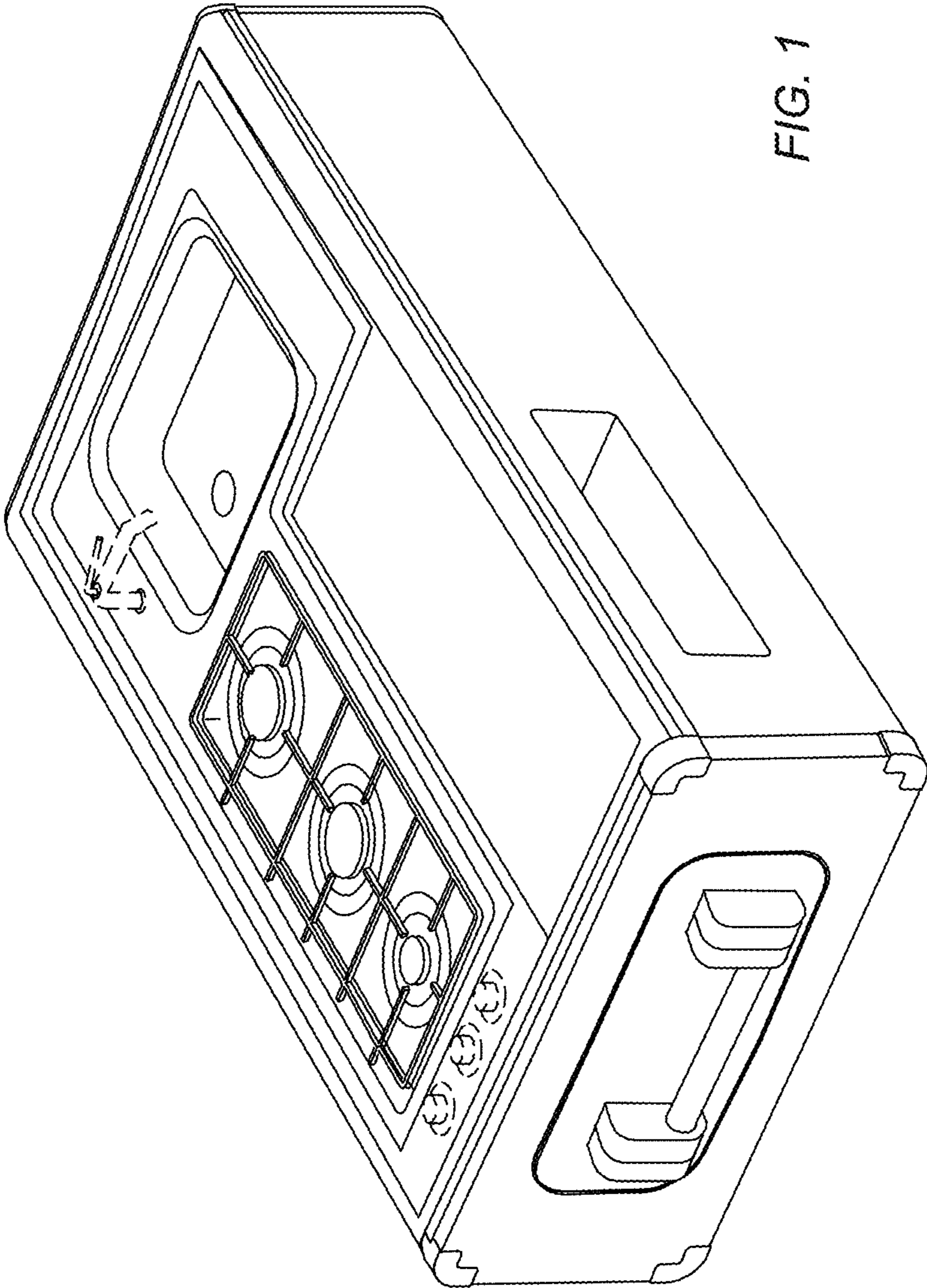


FIG. 1

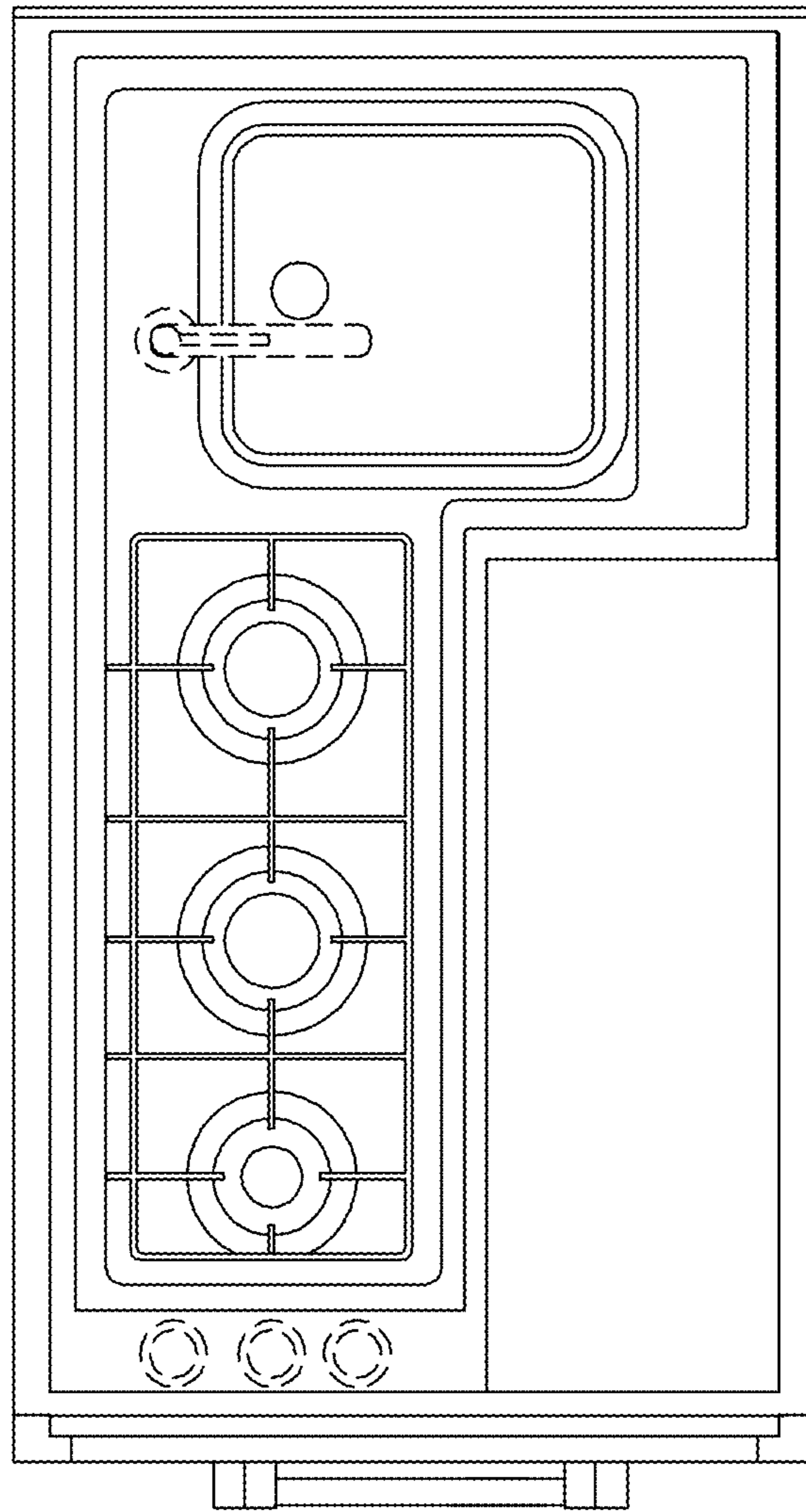


FIG. 2

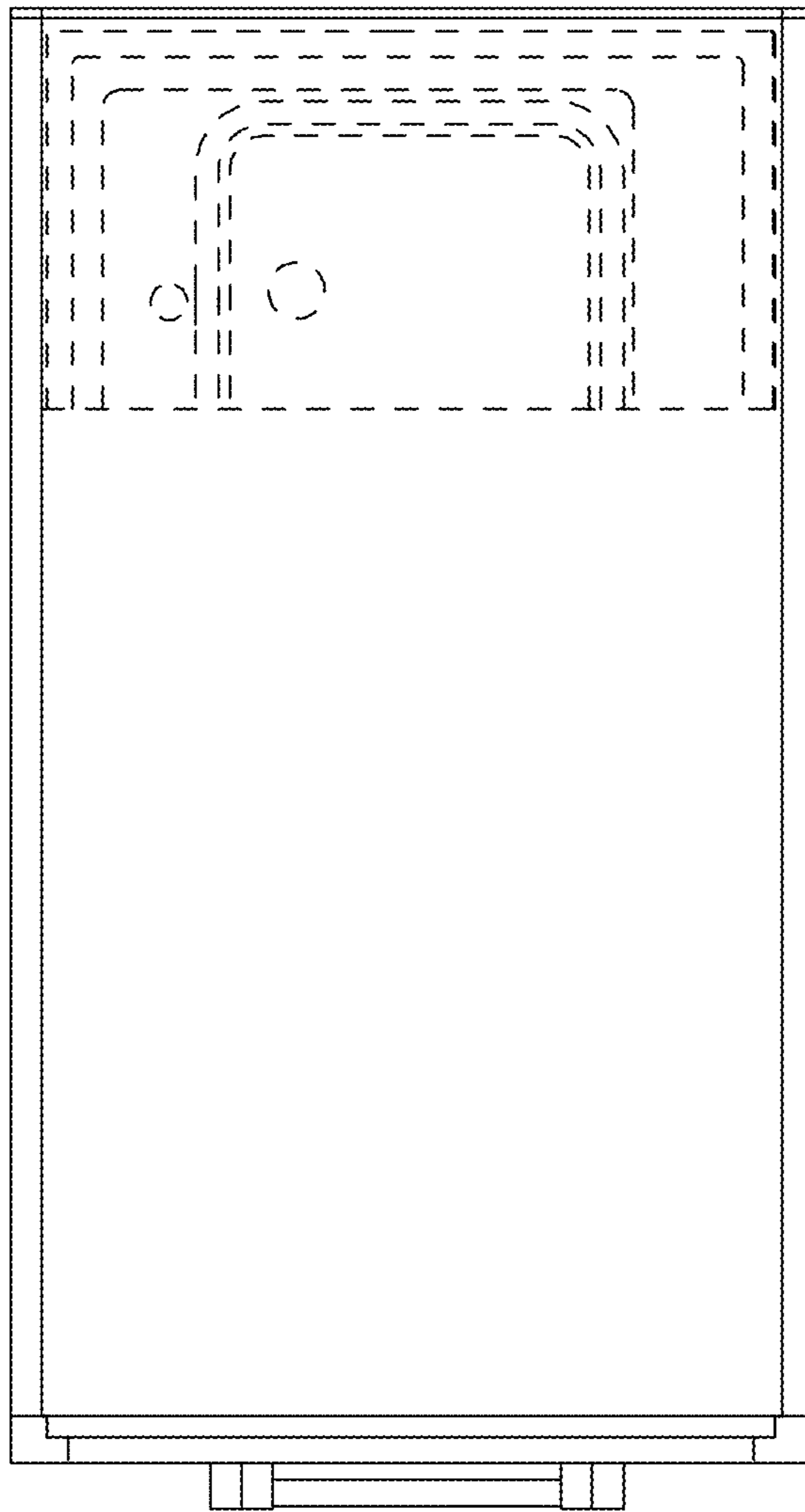


FIG. 3

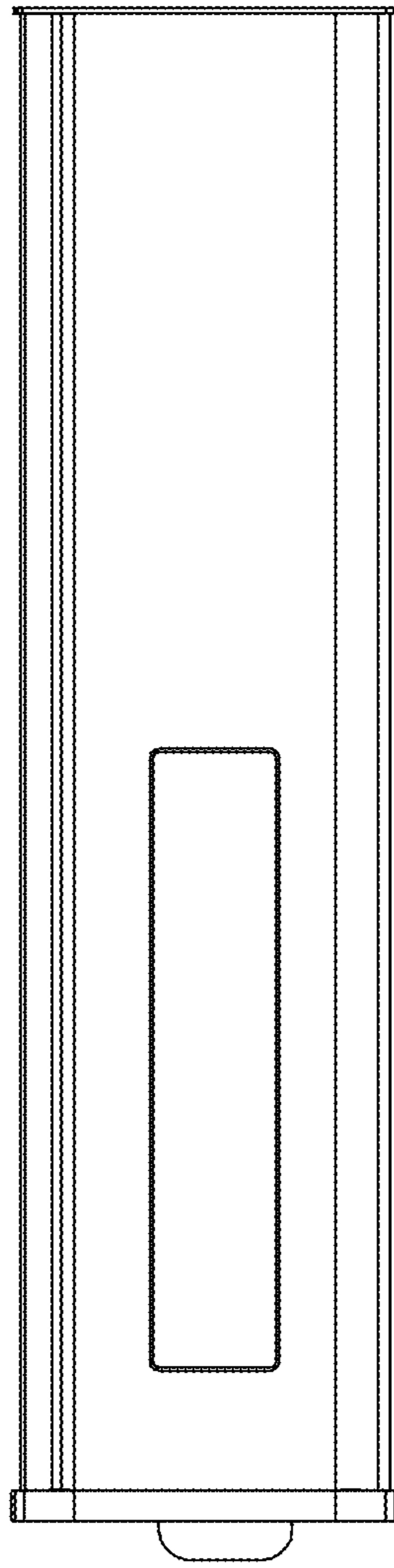


FIG. 4

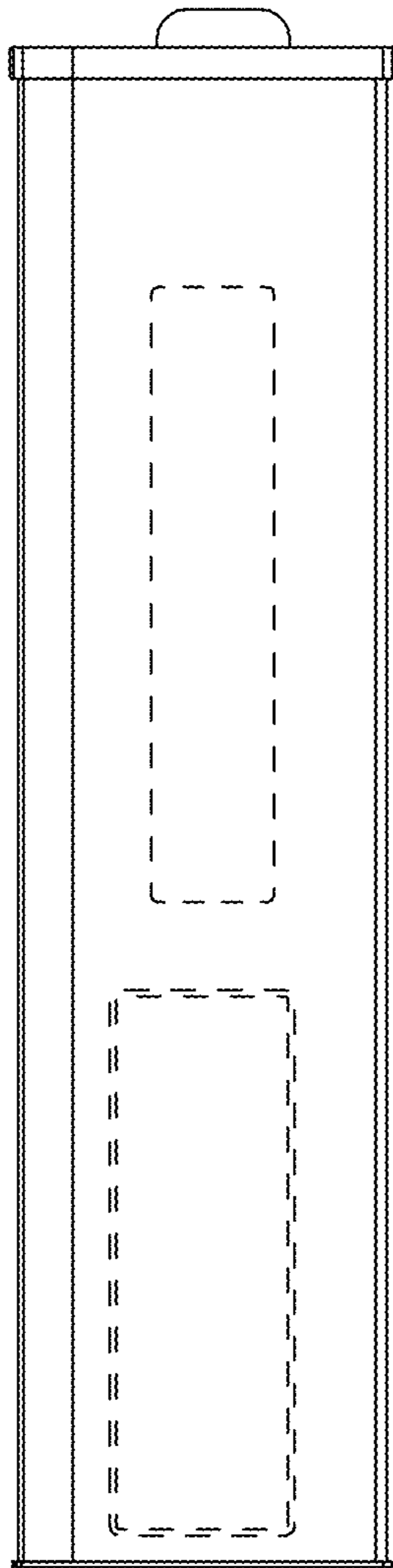


FIG. 5

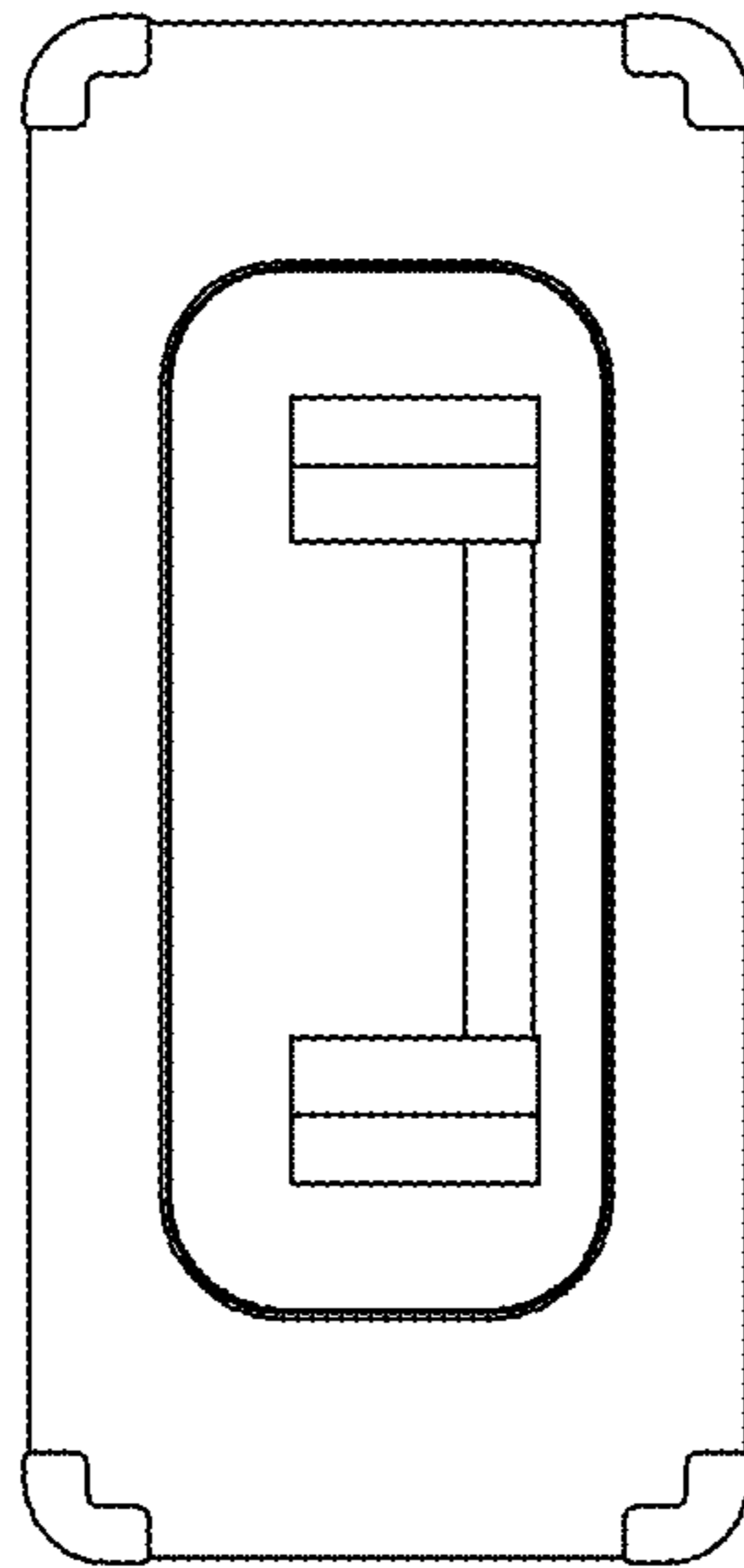


FIG. 6

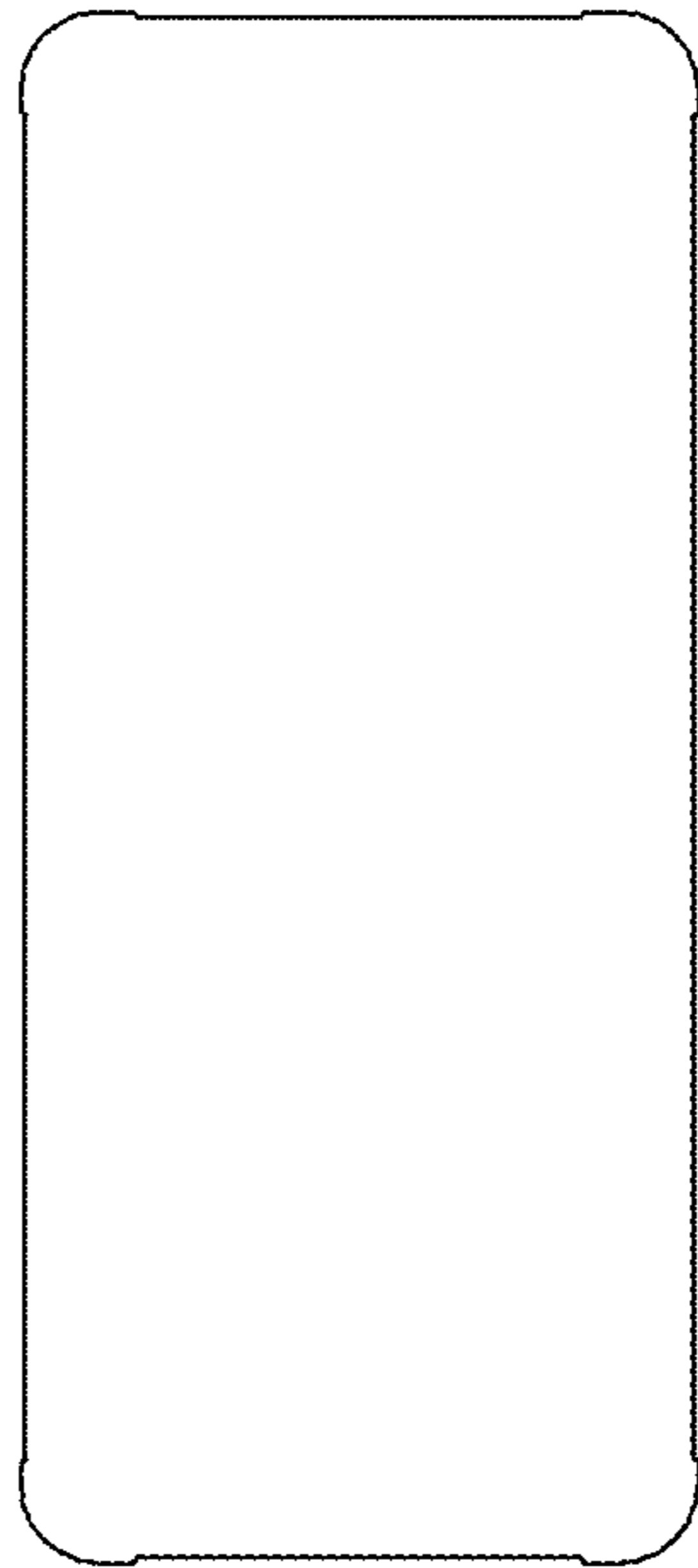


FIG. 7

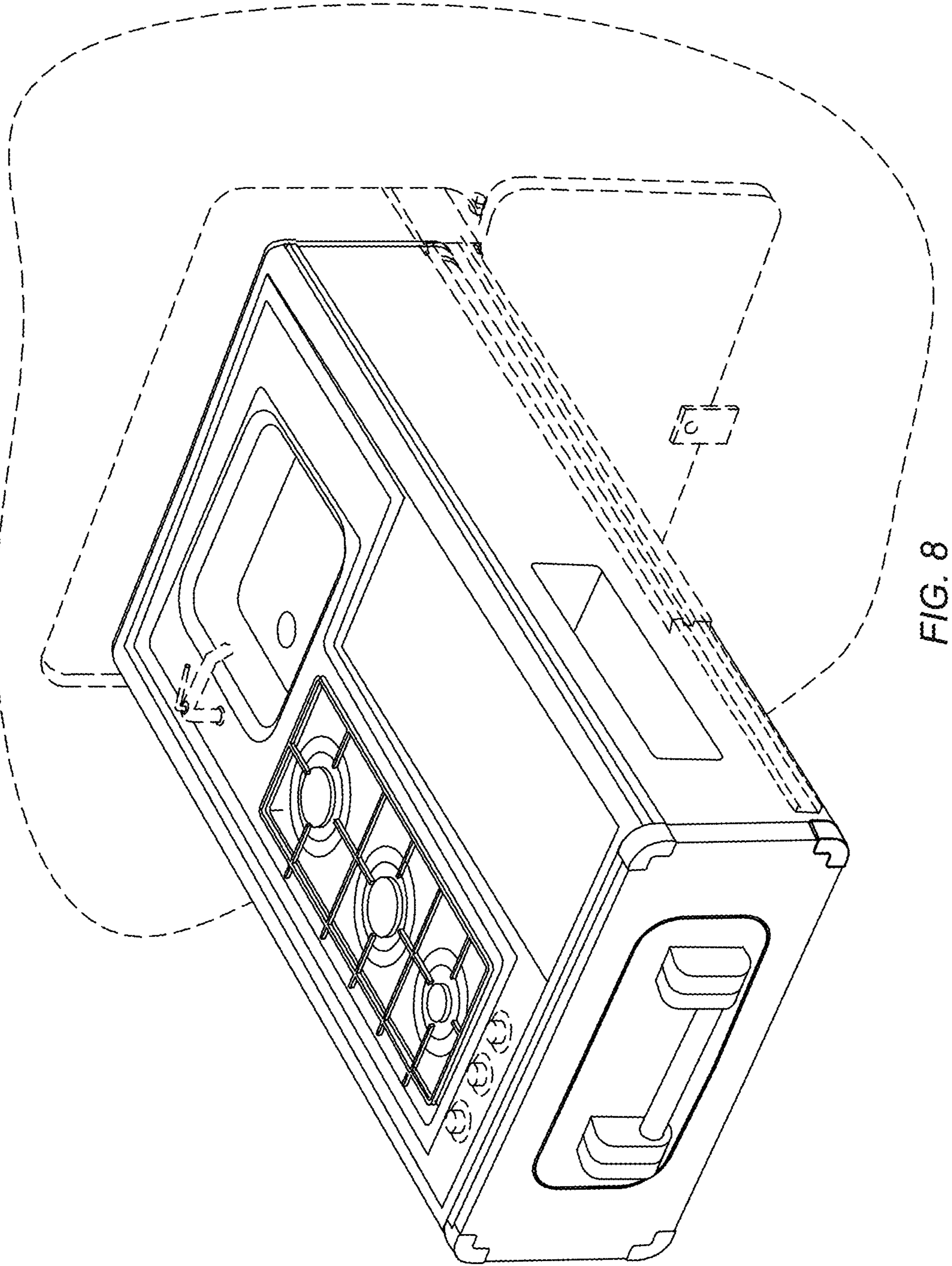


FIG. 8

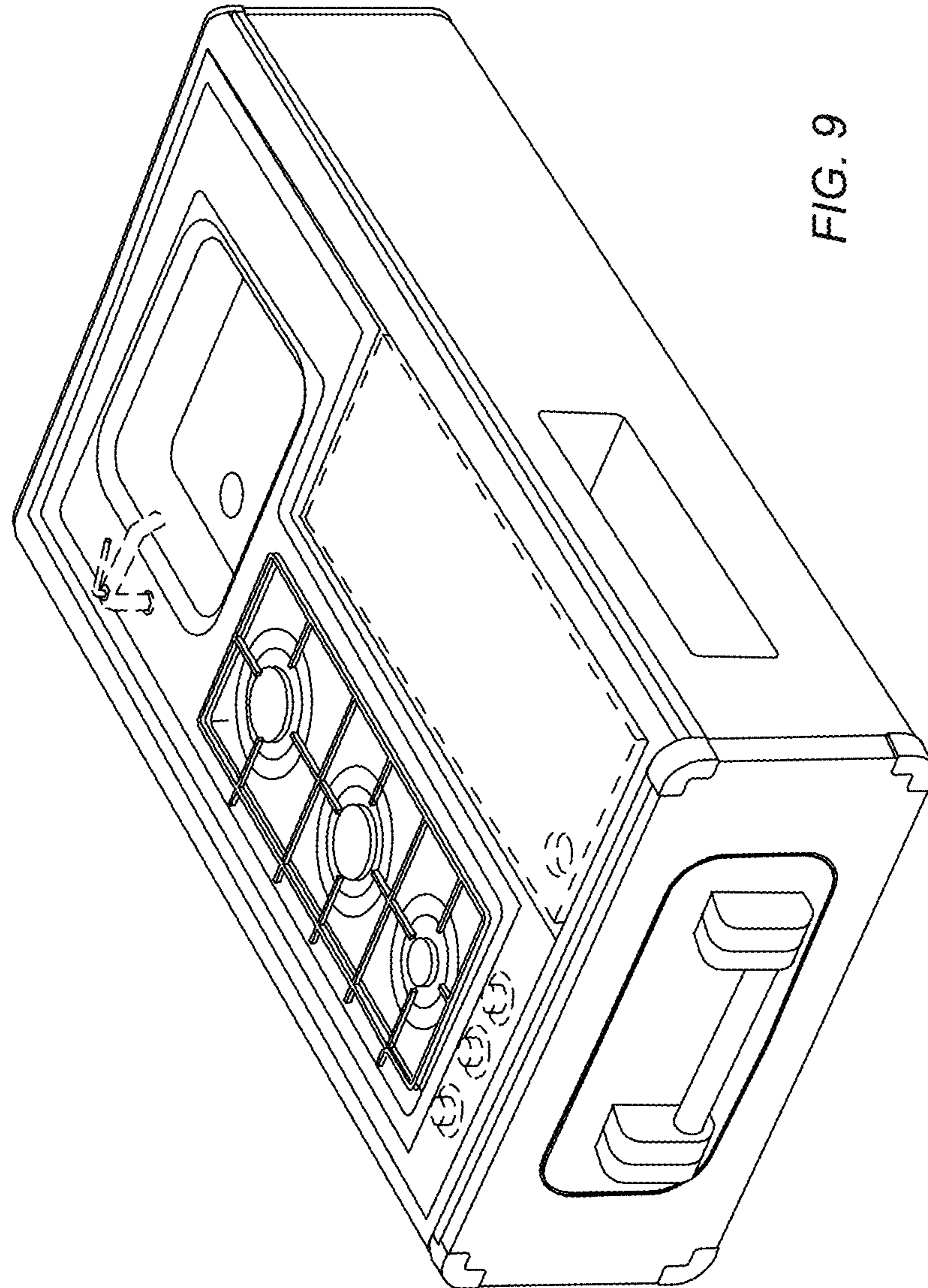


FIG. 9

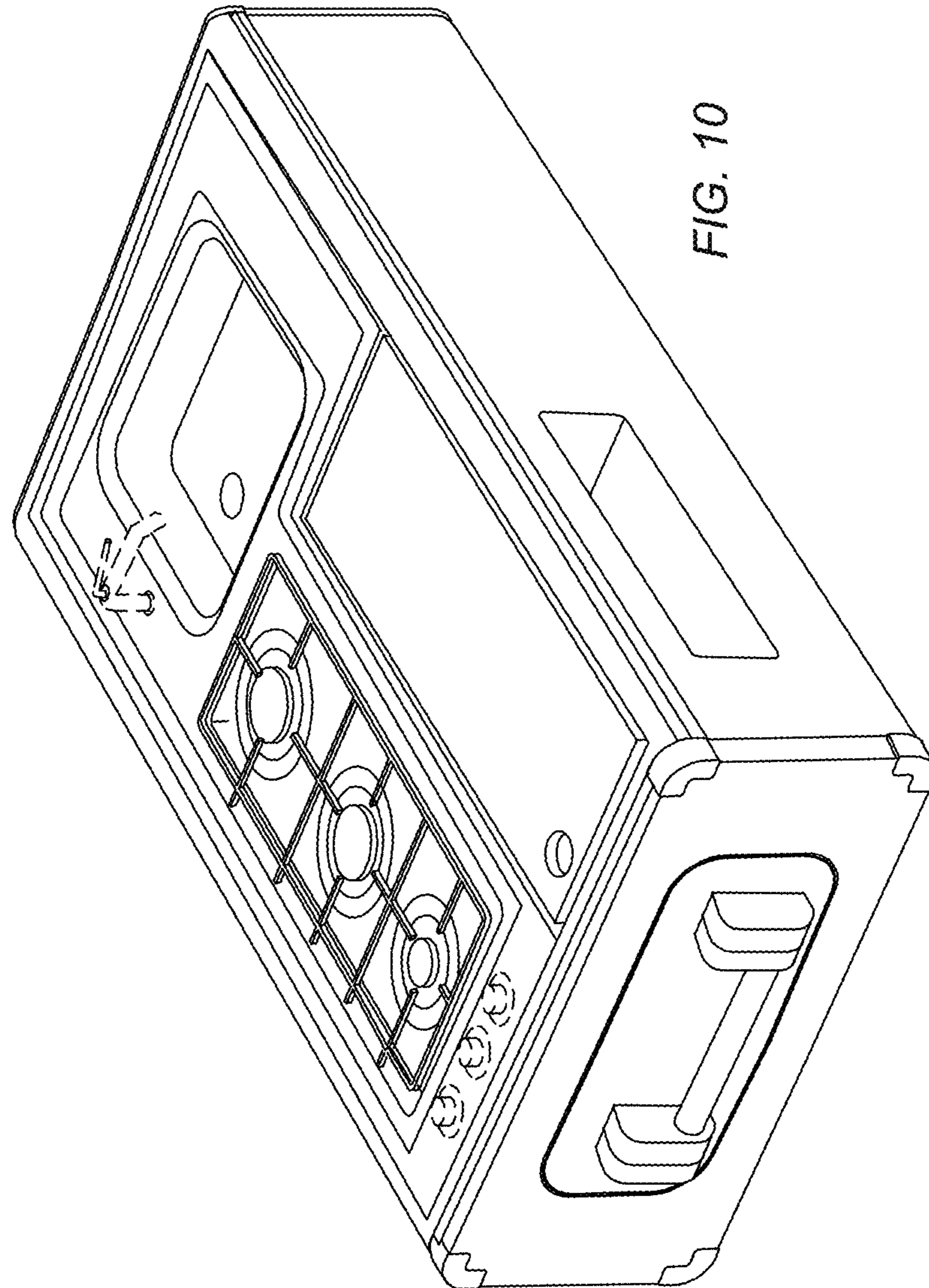


FIG. 10

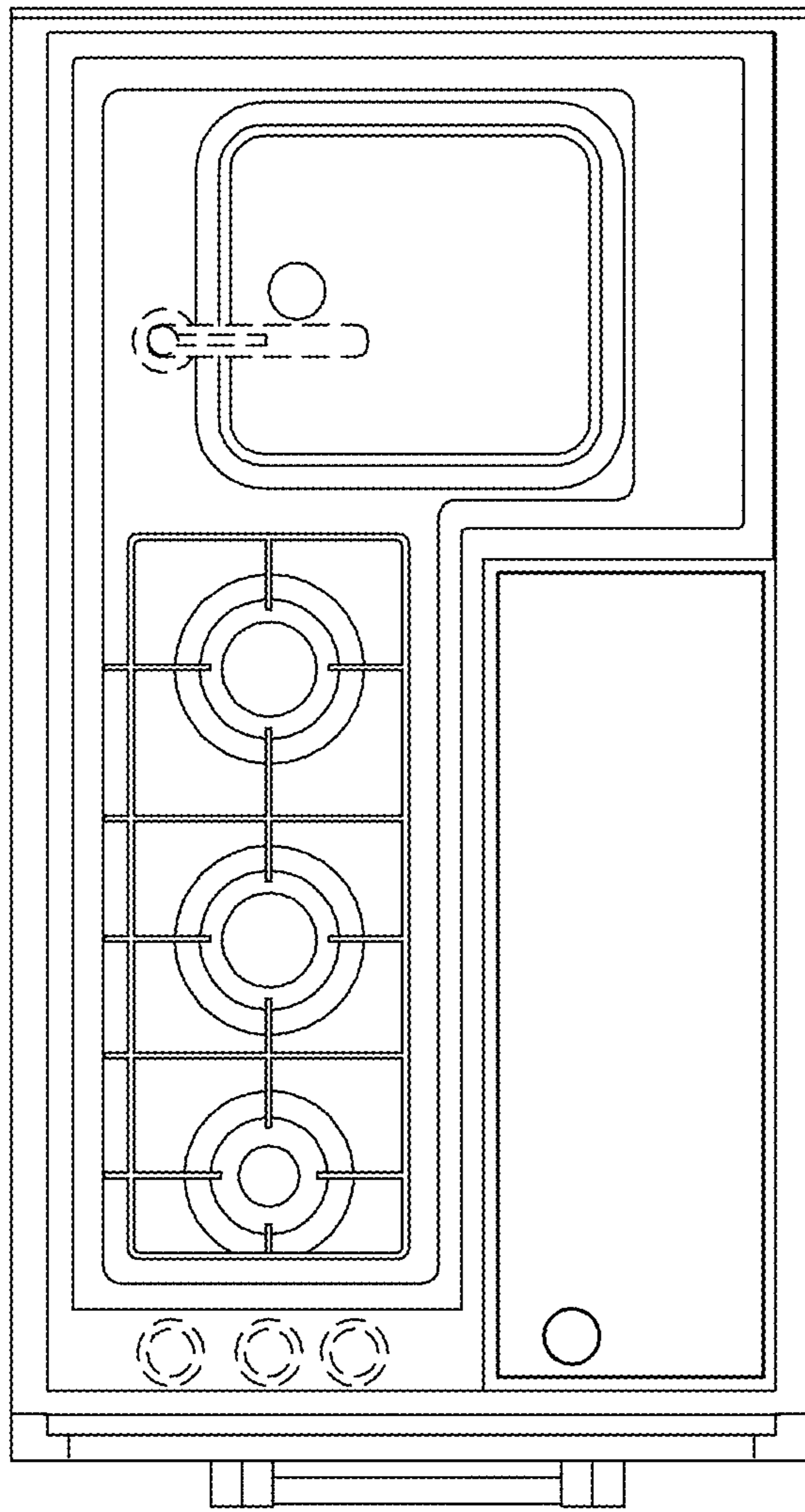


FIG. 11

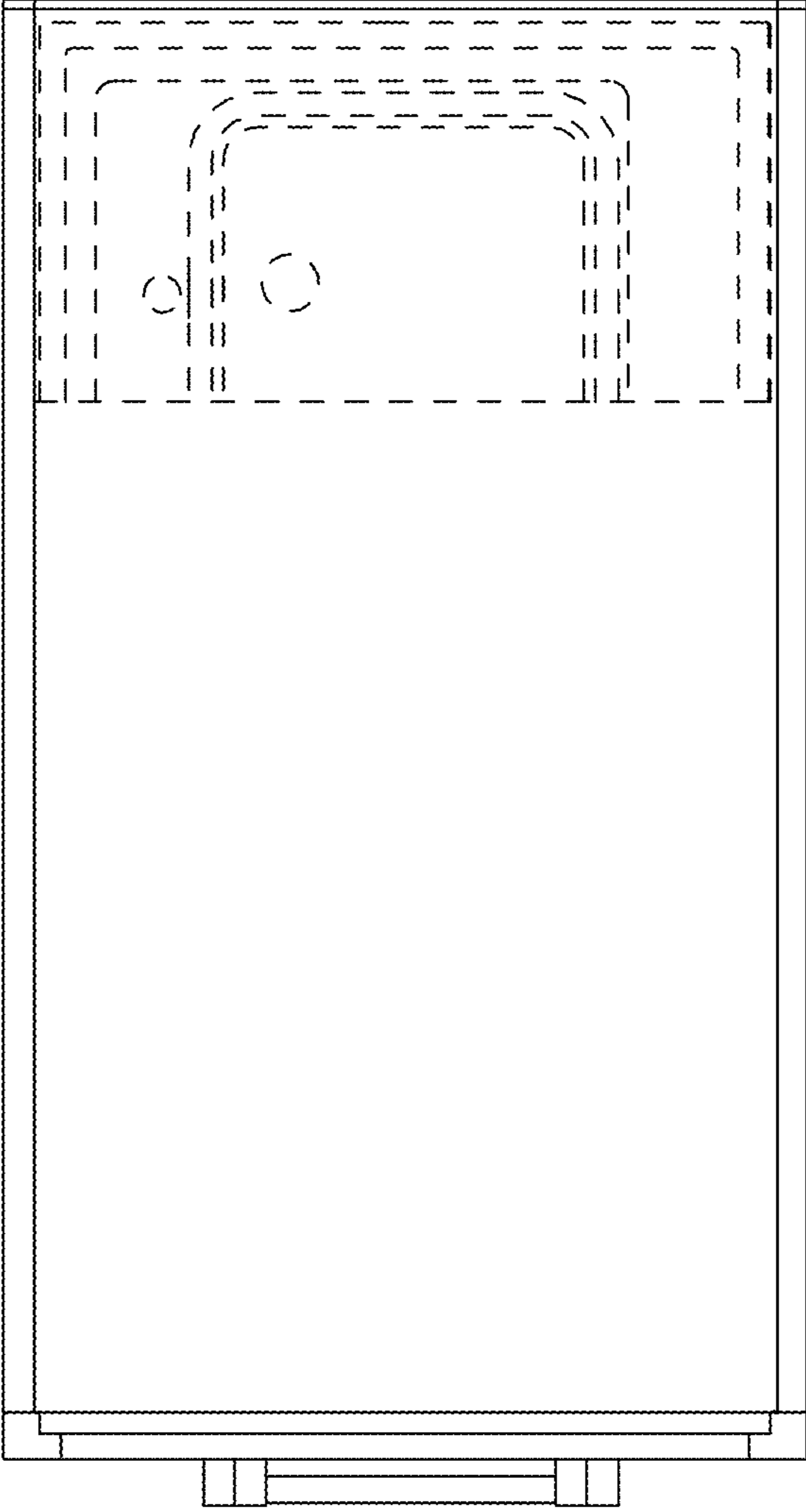


FIG. 12

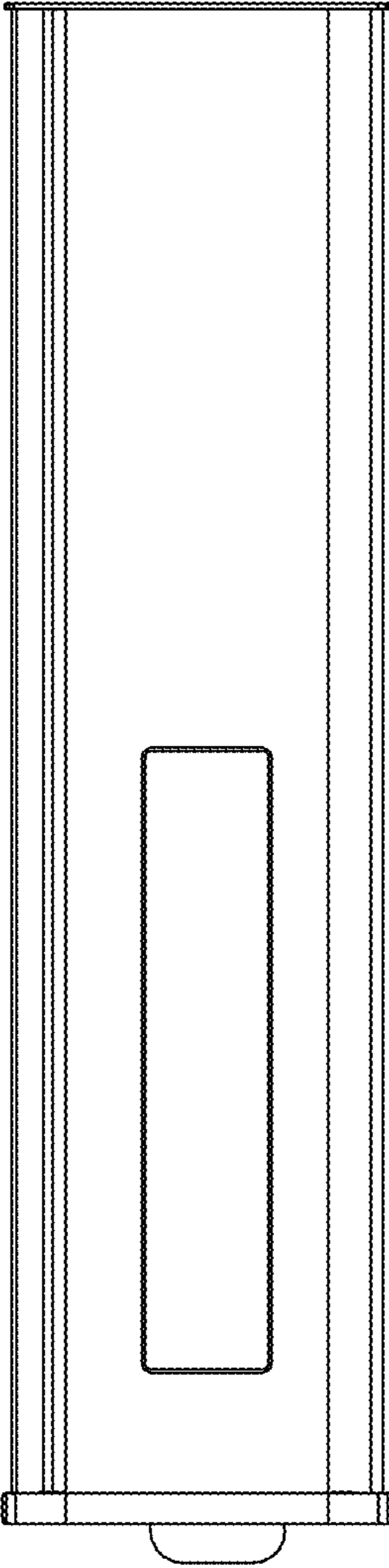


FIG. 13

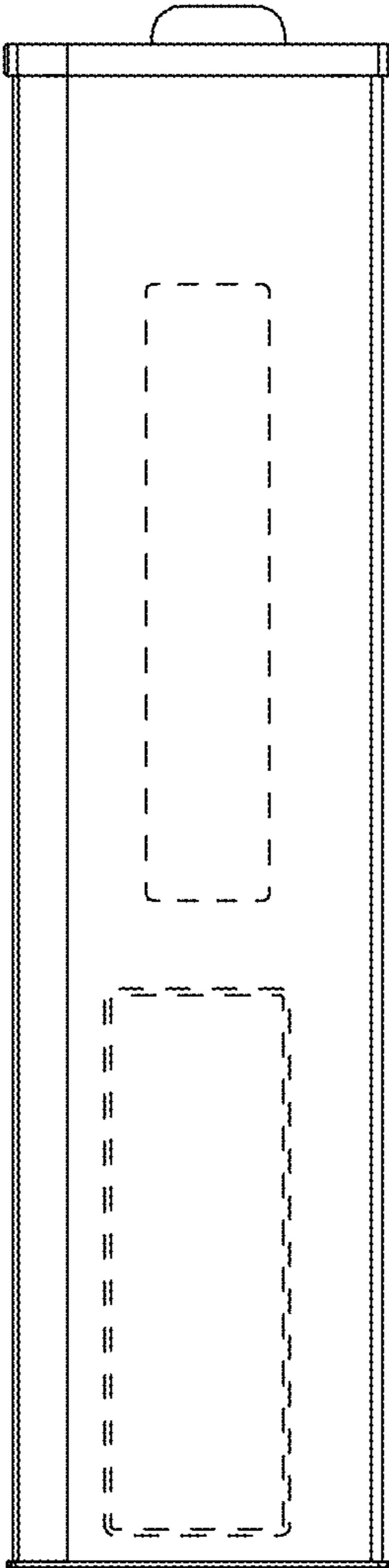


FIG. 14

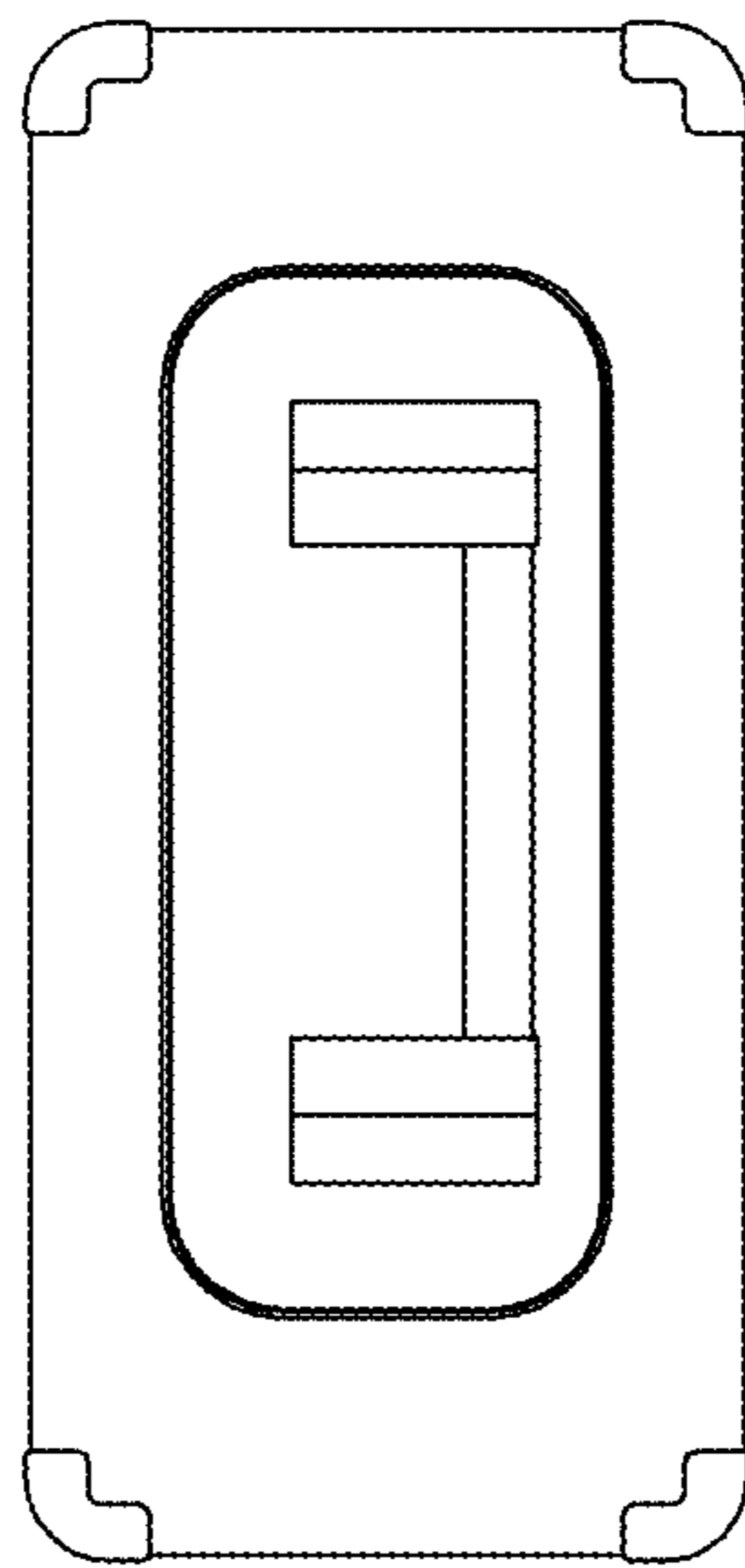


FIG. 15

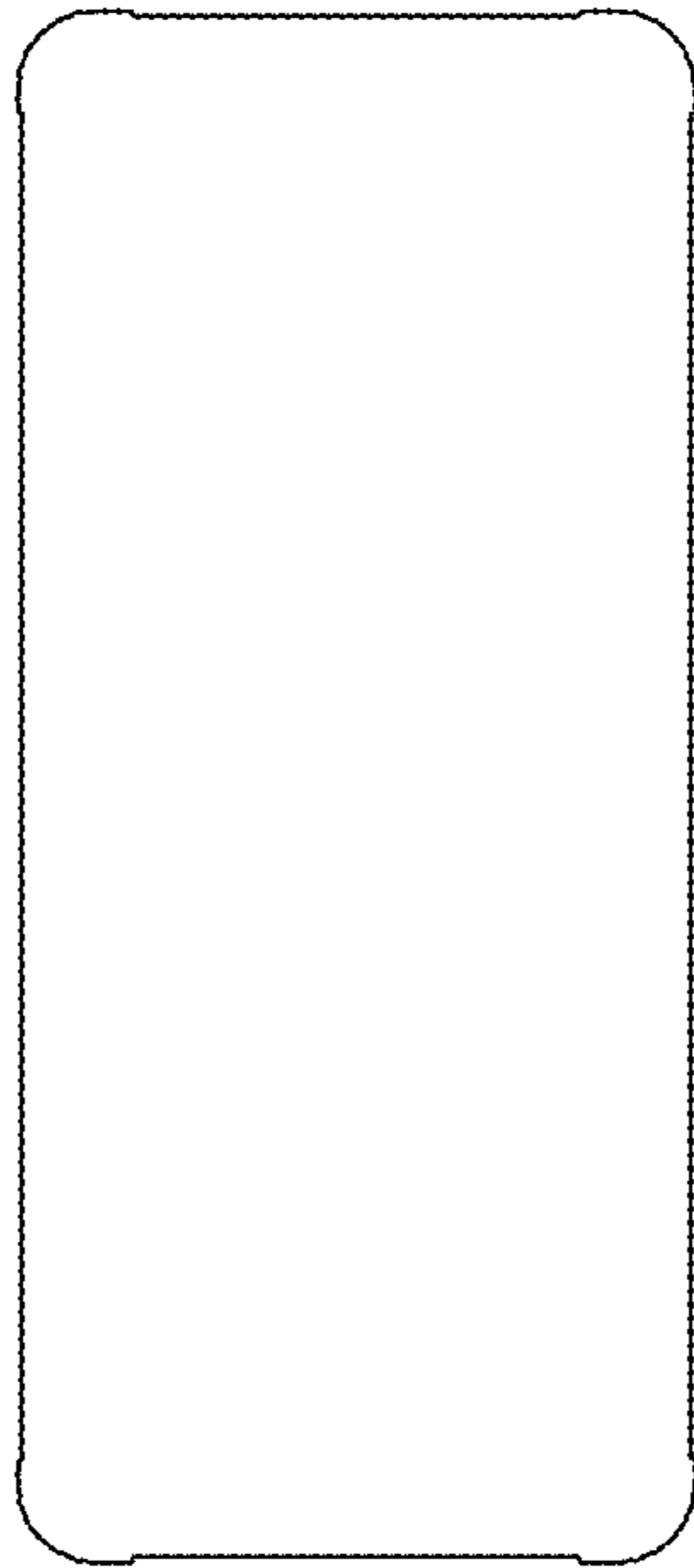


FIG. 16

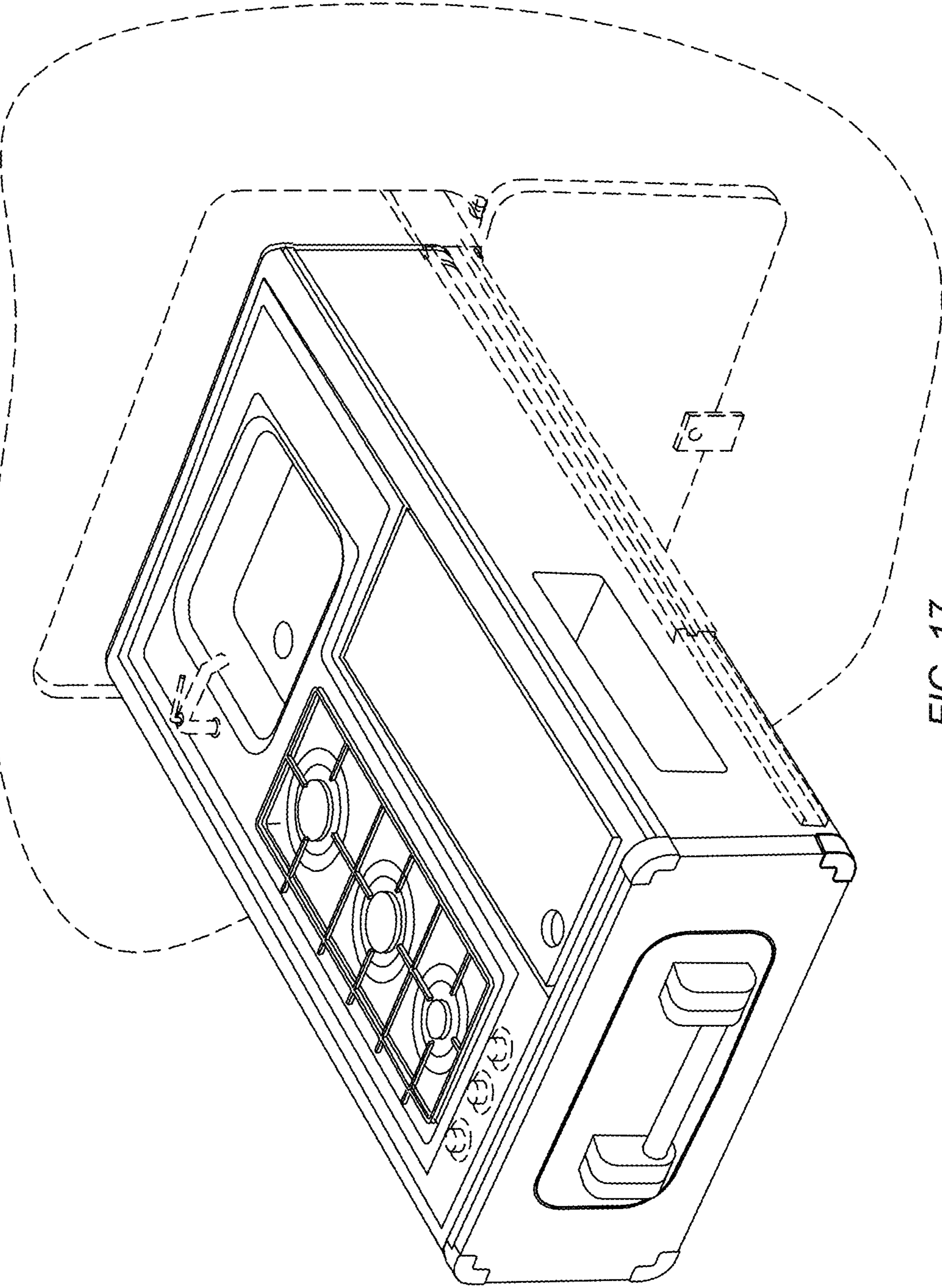


FIG. 17