



US00D871822S

(12) **United States Design Patent**  
**Hussain et al.**

(10) **Patent No.:** **US D871,822 S**  
(45) **Date of Patent:** **\*\* Jan. 7, 2020**

- (54) **GRILL WITH A SPLIT LID**
- (71) Applicants: **Shiek Abdel Taahyr Hussain**, Palm Bay, FL (US); **Shareed Hussain**, Palm Bay, FL (US)
- (72) Inventors: **Shiek Abdel Taahyr Hussain**, Palm Bay, FL (US); **Shareed Hussain**, Palm Bay, FL (US)
- (\*\*) Term: **15 Years**
- (21) Appl. No.: **29/664,023**
- (22) Filed: **Sep. 20, 2018**

6,039,039	A *	3/2000	Pina, Jr. ....	A47J 37/0704
				126/25 R
6,626,089	B1 *	9/2003	Hubert .....	A47J 37/07
				99/339
D517,853	S *	3/2006	Mata, Jr. ....	D7/332
8,490,614	B1 *	7/2013	Gregory .....	A47J 37/0754
				126/1 R
D690,983	S *	10/2013	Eftink .....	D7/334
D694,056	S *	11/2013	Dahle .....	D7/334
D712,189	S *	9/2014	Eftink .....	D7/334
D736,026	S *	8/2015	Kam .....	D7/334
9,186,020	B1 *	11/2015	Phillips .....	A47J 37/0704
D842,636	S *	3/2019	Nilssen .....	D7/332
D853,170	S *	7/2019	Magee .....	D7/332
2017/0067649	A1 *	3/2017	Colston .....	A47J 37/0704
2019/0293295	A1 *	9/2019	Colston .....	A47J 37/0786

\* cited by examiner

**Related U.S. Application Data**

- (63) Continuation-in-part of application No. 16/103,639, filed on Aug. 14, 2018.
- (51) **LOC (12) Cl.** ..... **07-02**
- (52) **U.S. Cl.**  
USPC ..... **D7/334**
- (58) **Field of Classification Search**  
USPC ..... D7/332-337, 402-409; 126/25 R  
CPC ..... A47J 37/07-37/0786; A47J 33/00; A47J 2037/0777; A47J 2037/0795; A23B 4/044-056  
See application file for complete search history.

*Primary Examiner* — Brett Miller

(57) **CLAIM**

The ornamental design for a grill with a split lid, as shown and described.

**DESCRIPTION**

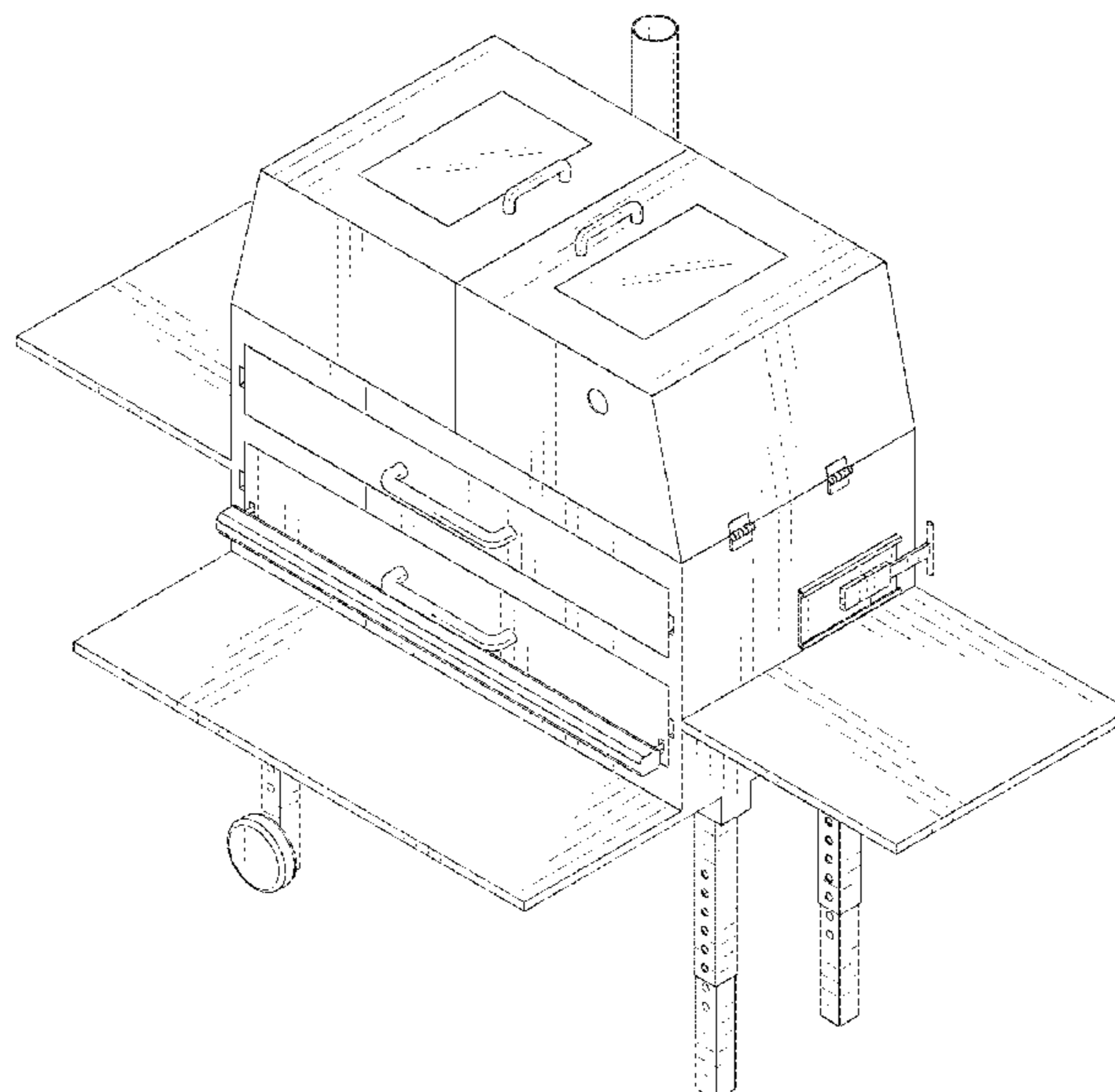
FIG. 1 is a front perspective view of a grill with a split lid; FIG. 2 is a front elevation view thereof; FIG. 3 is a rear elevation view thereof; FIG. 4 is a right-side elevation view thereof; FIG. 5 is a left-side elevation view thereof; FIG. 6 is a top plan view thereof; FIG. 7 is a bottom plan view thereof; FIG. 8 is a front partially-exploded view thereof; FIG. 9 is an alternative front partially-exploded view thereof; and, FIG. 10 is a bottom partially-exploded view thereof. The broken line shows the mesh grill and is included for the purpose of illustrating environmental structure and forms no part of the claimed design.

(56) **References Cited**

**U.S. PATENT DOCUMENTS**

2,922,414	A *	1/1960	Brender .....	F24B 1/202
				126/9 R
D206,738	S *	1/1967	Wilkinson .....	D7/334
4,700,618	A *	10/1987	Cox, Jr. ....	A47J 37/06
				126/25 R
5,088,069	A *	2/1992	Koziol .....	A47J 37/0786
				126/25 R
5,960,784	A *	10/1999	Ryan .....	A47J 37/0704
				126/25 R

**1 Claim, 10 Drawing Sheets**



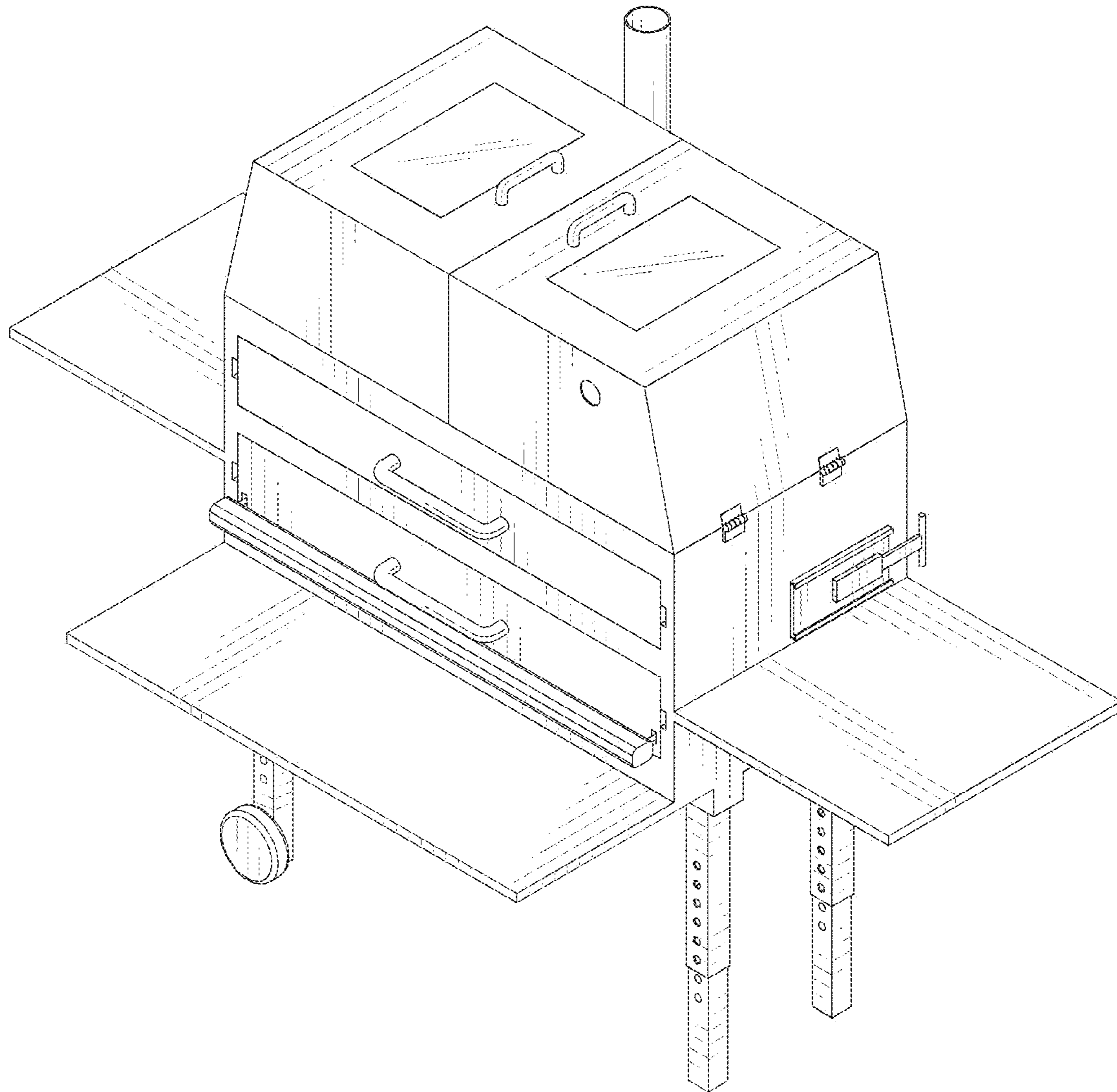


FIG. 1

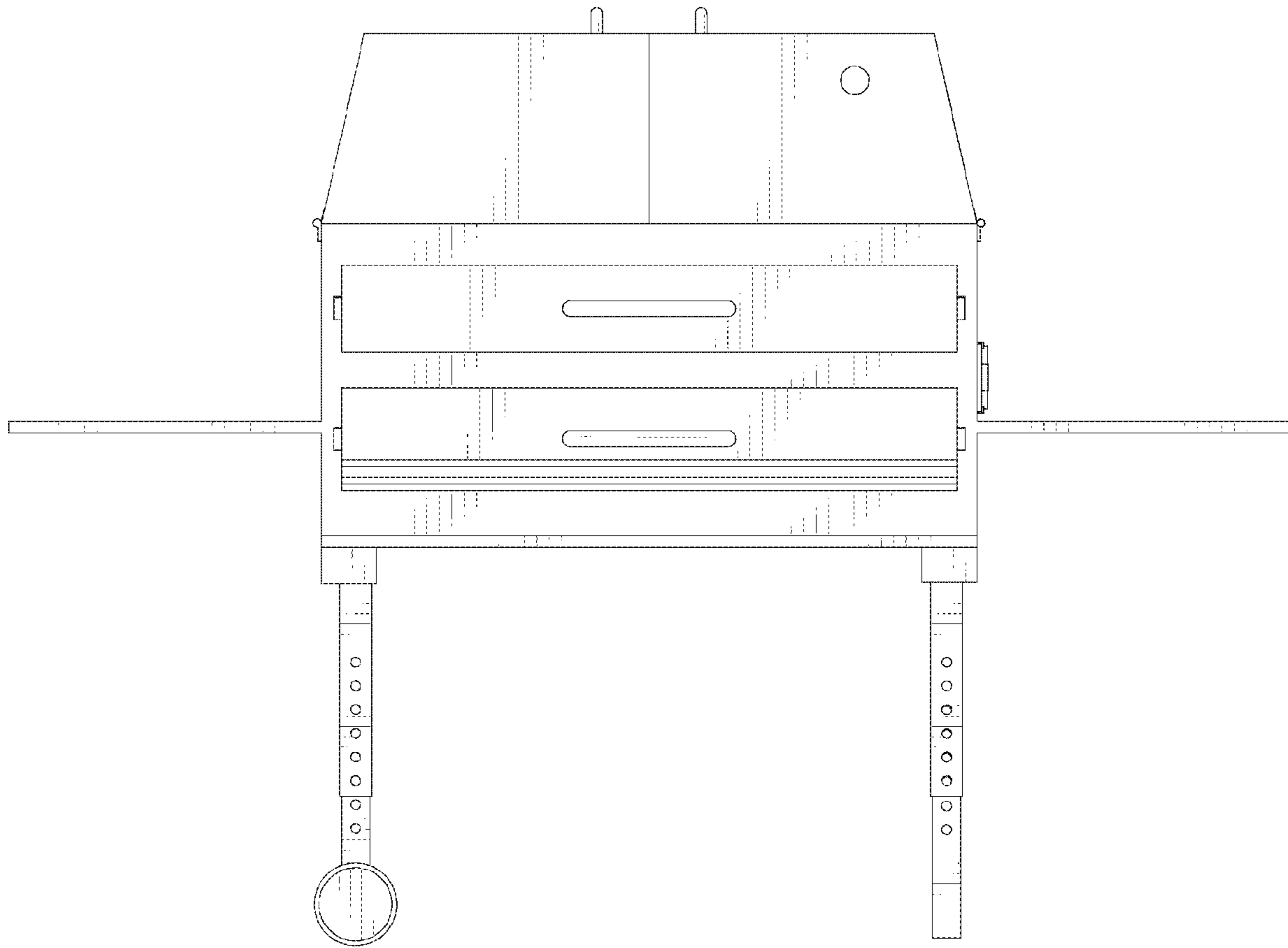


FIG. 2

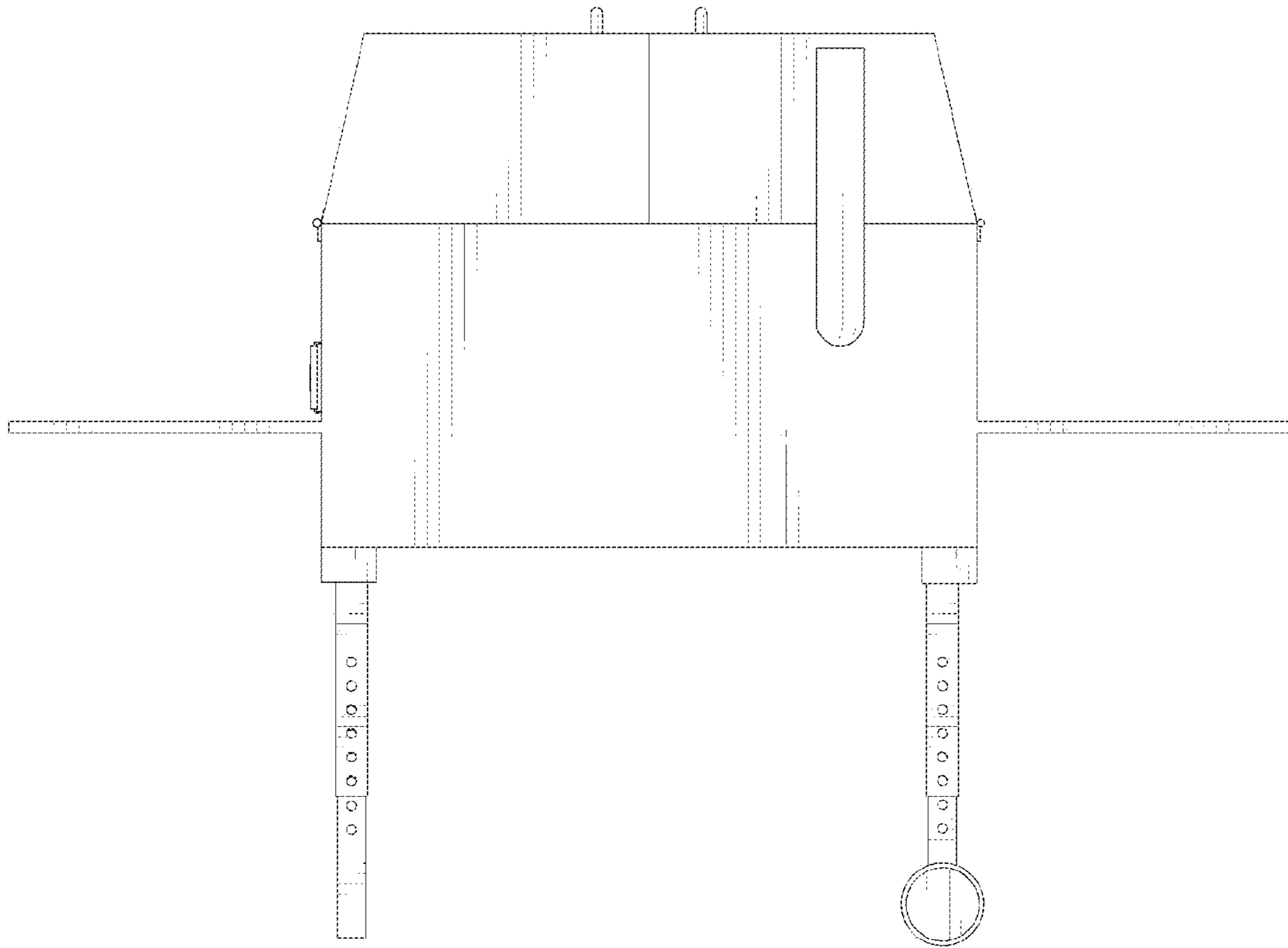


FIG. 3

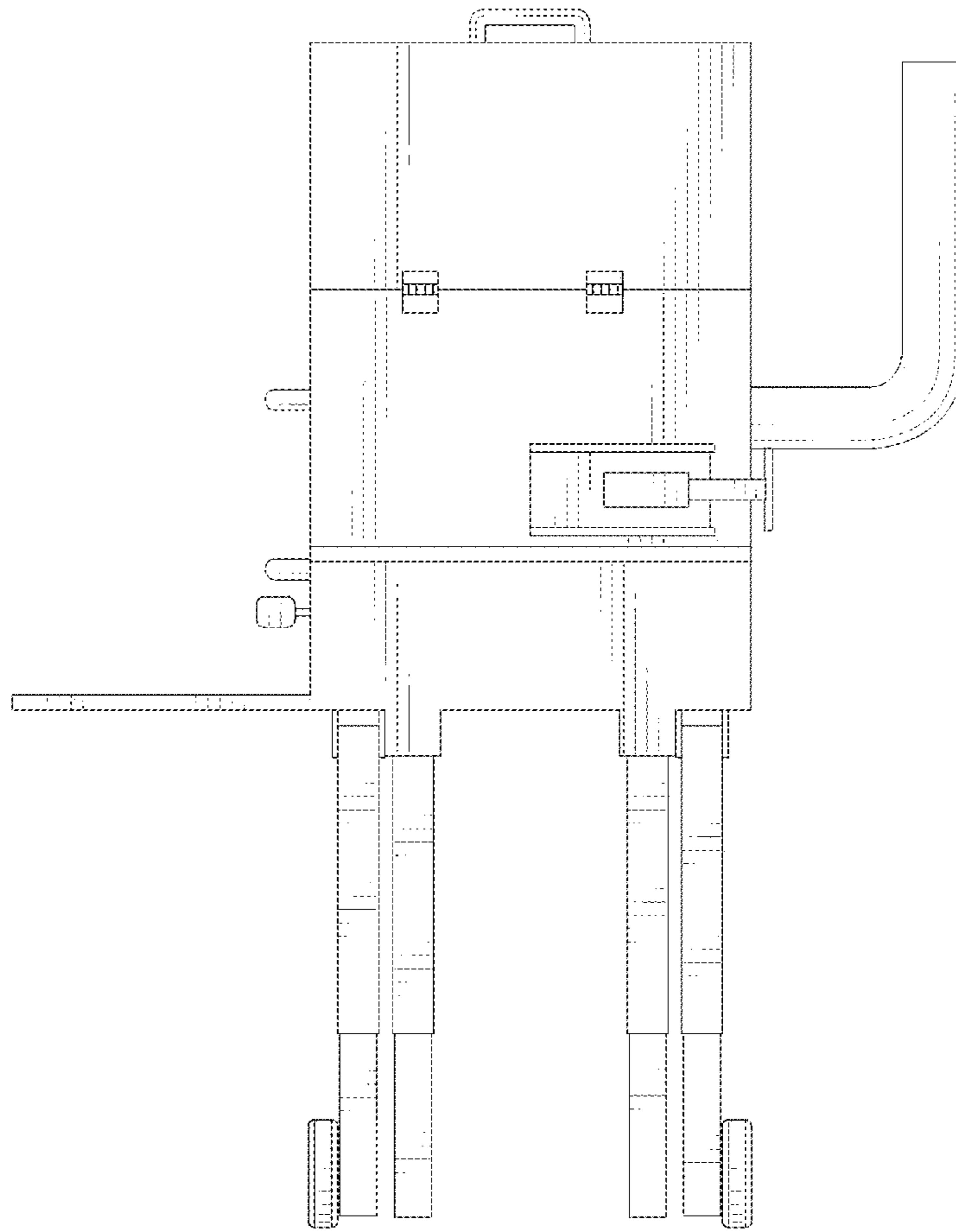


FIG. 4

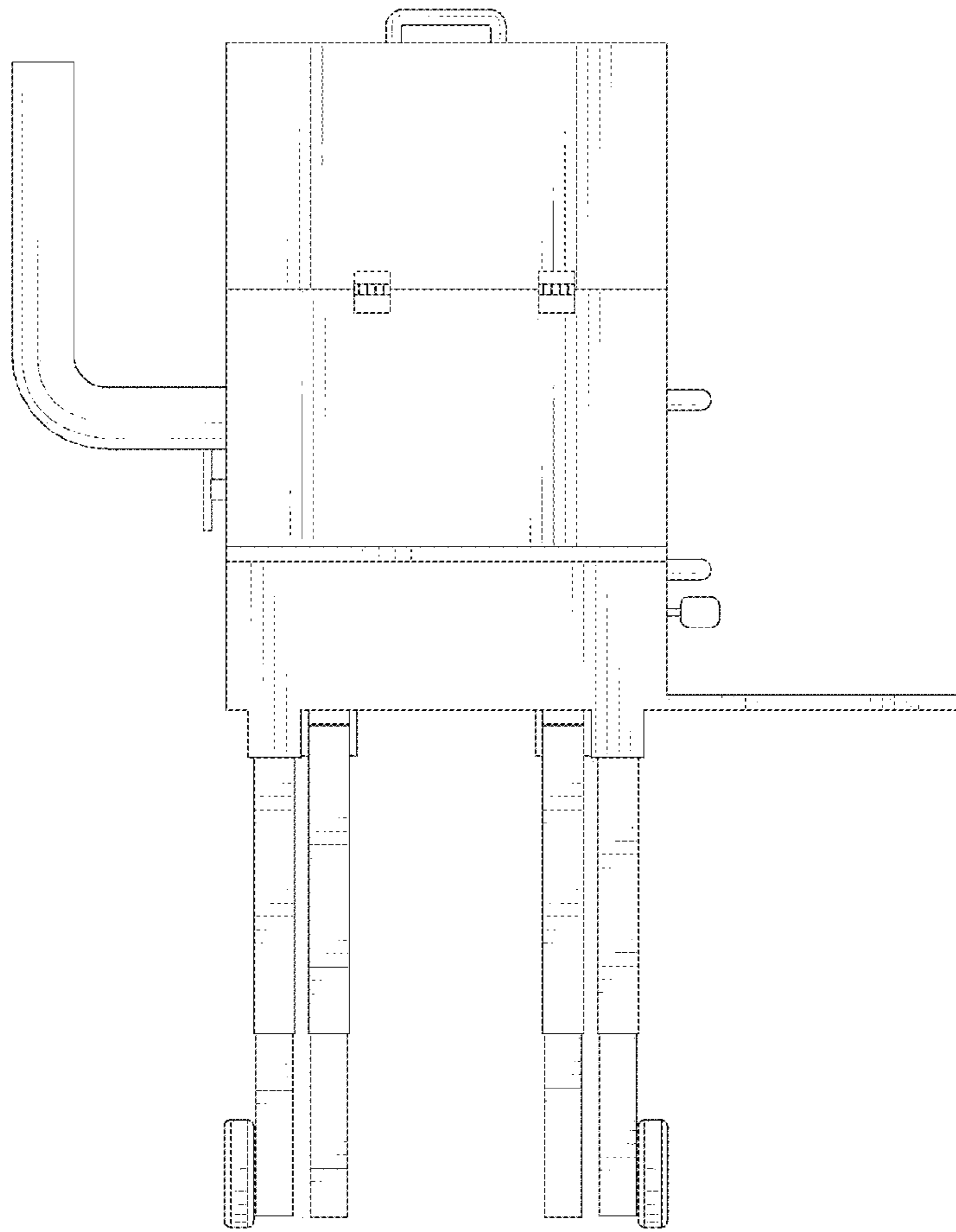


FIG. 5

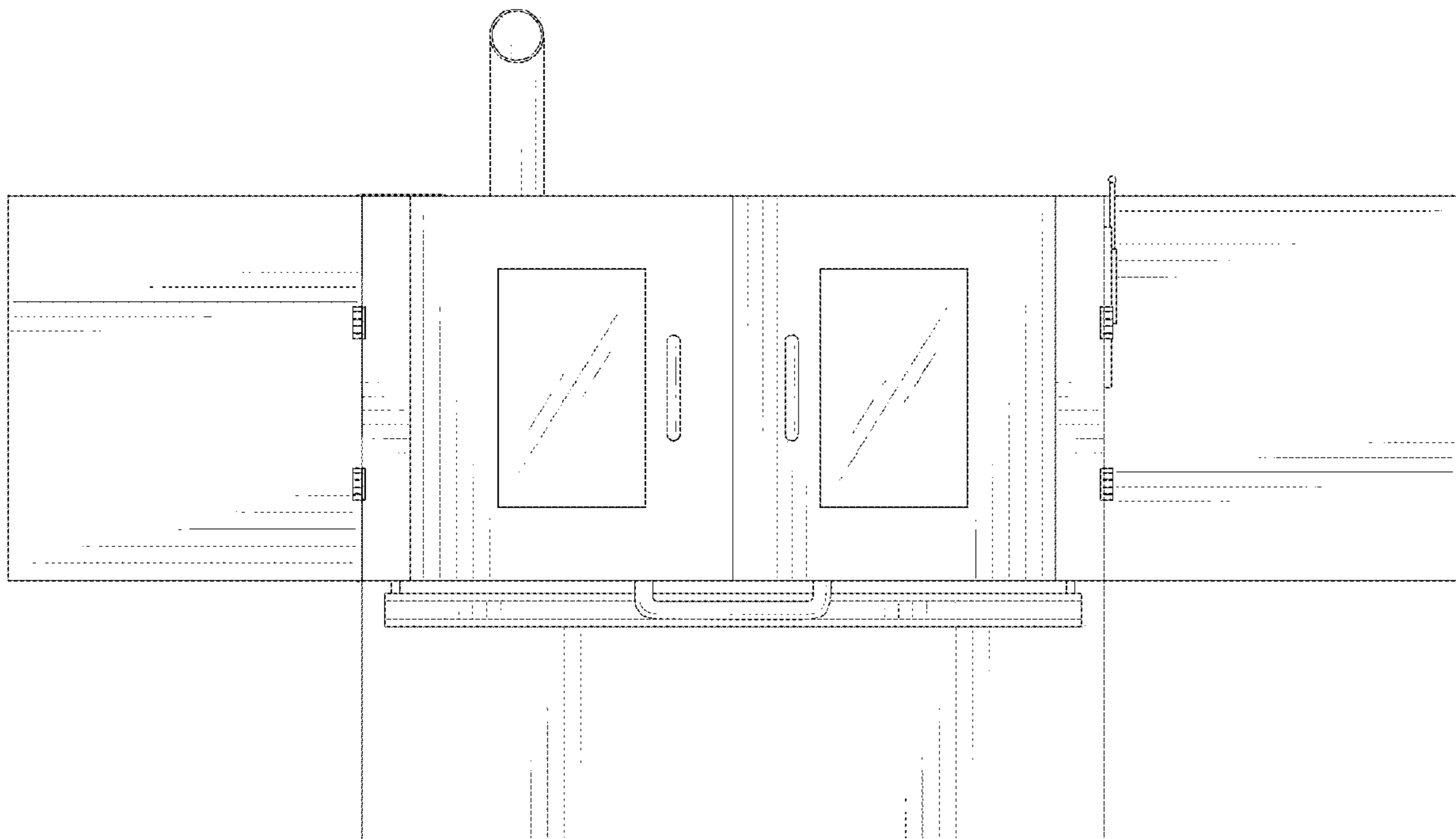


FIG. 6



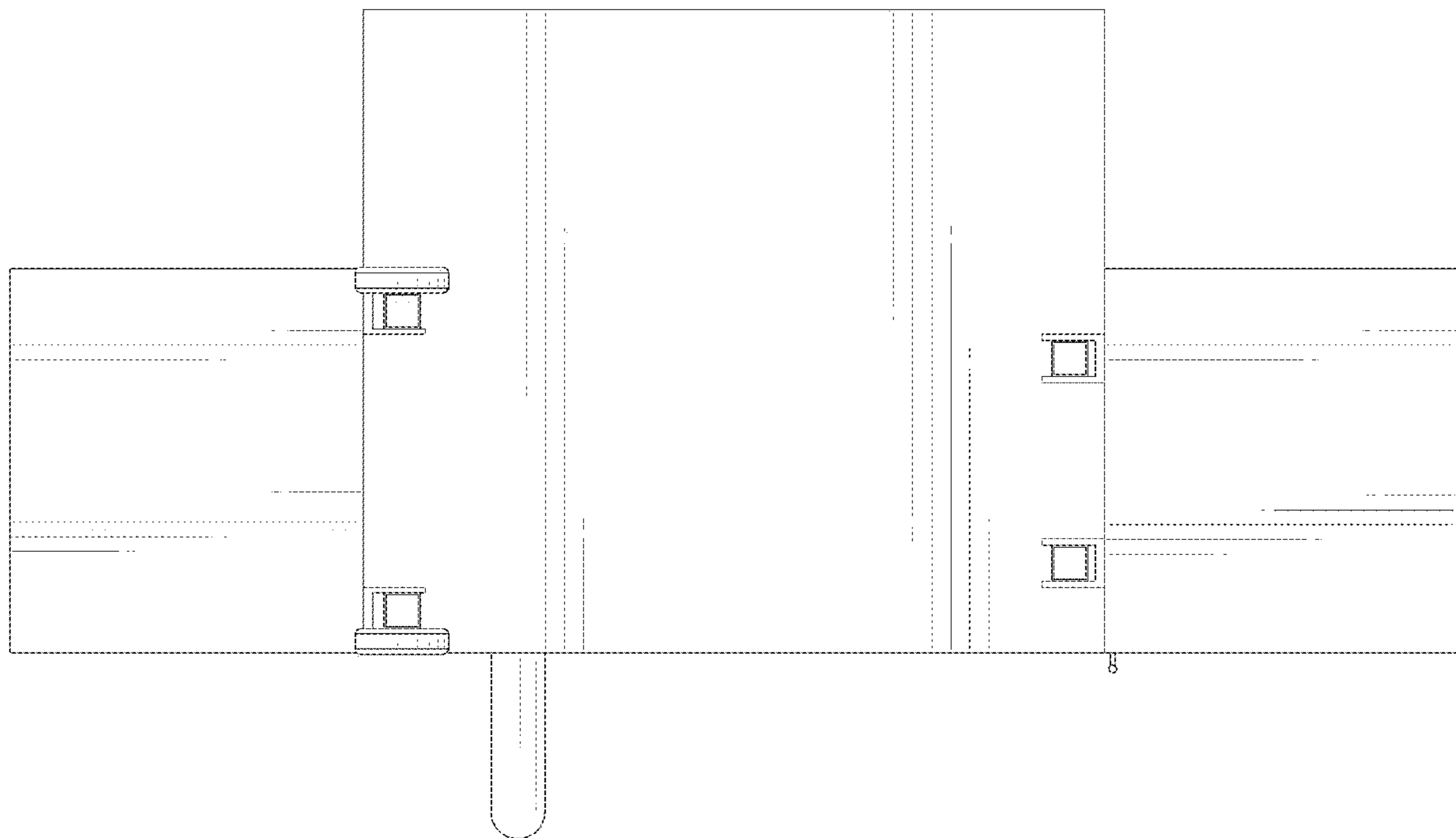


FIG. 7



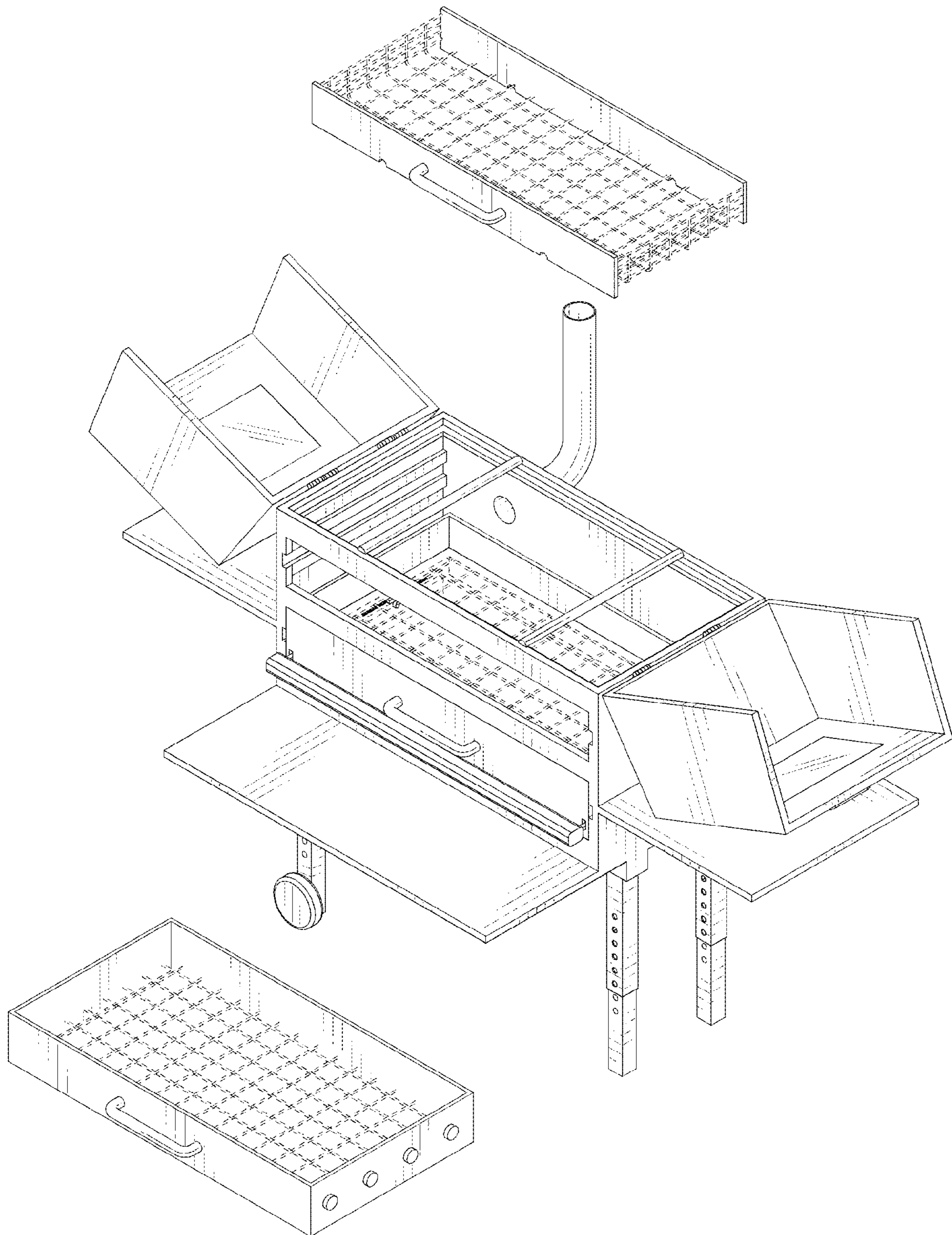


FIG. 8

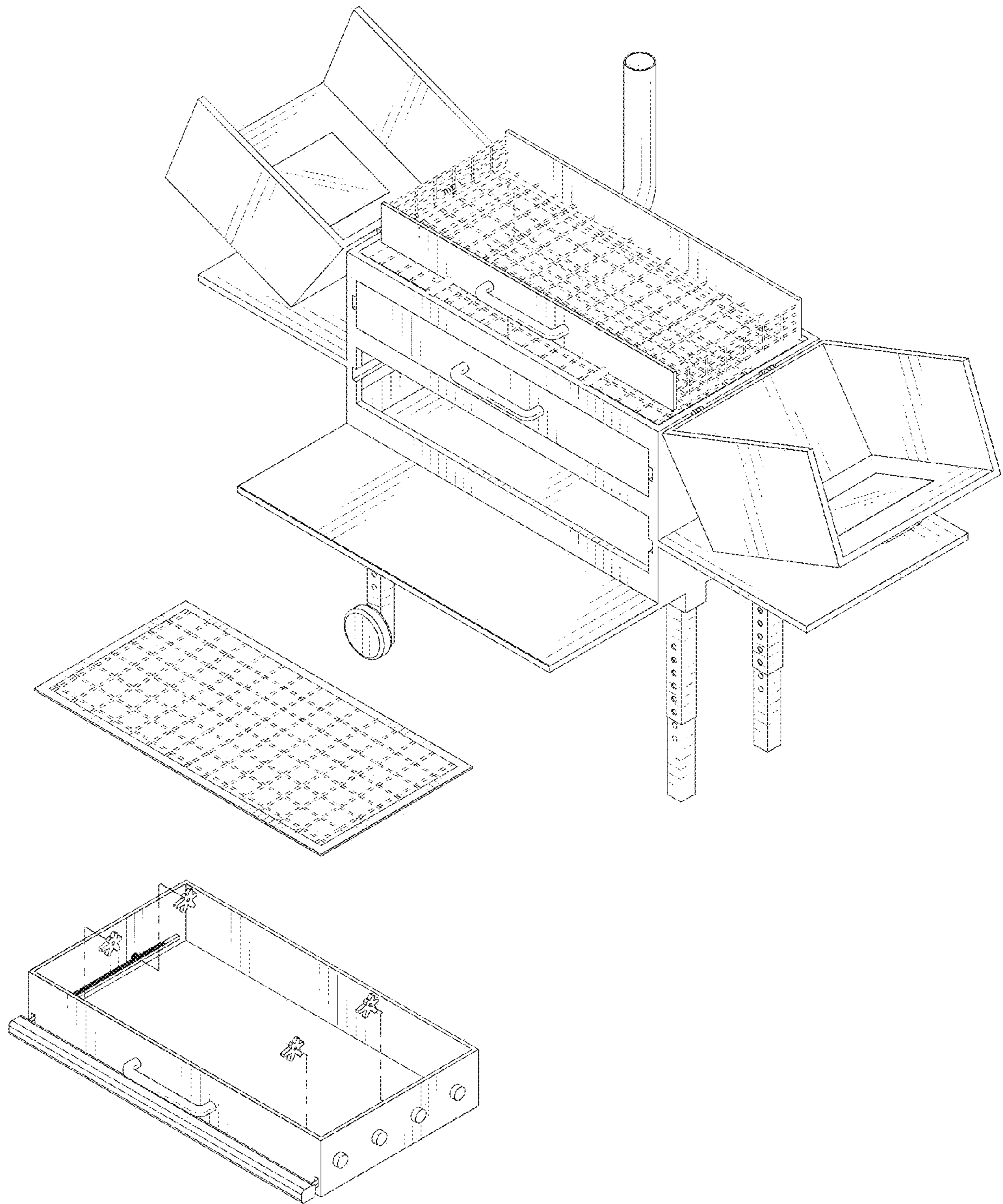


FIG. 9



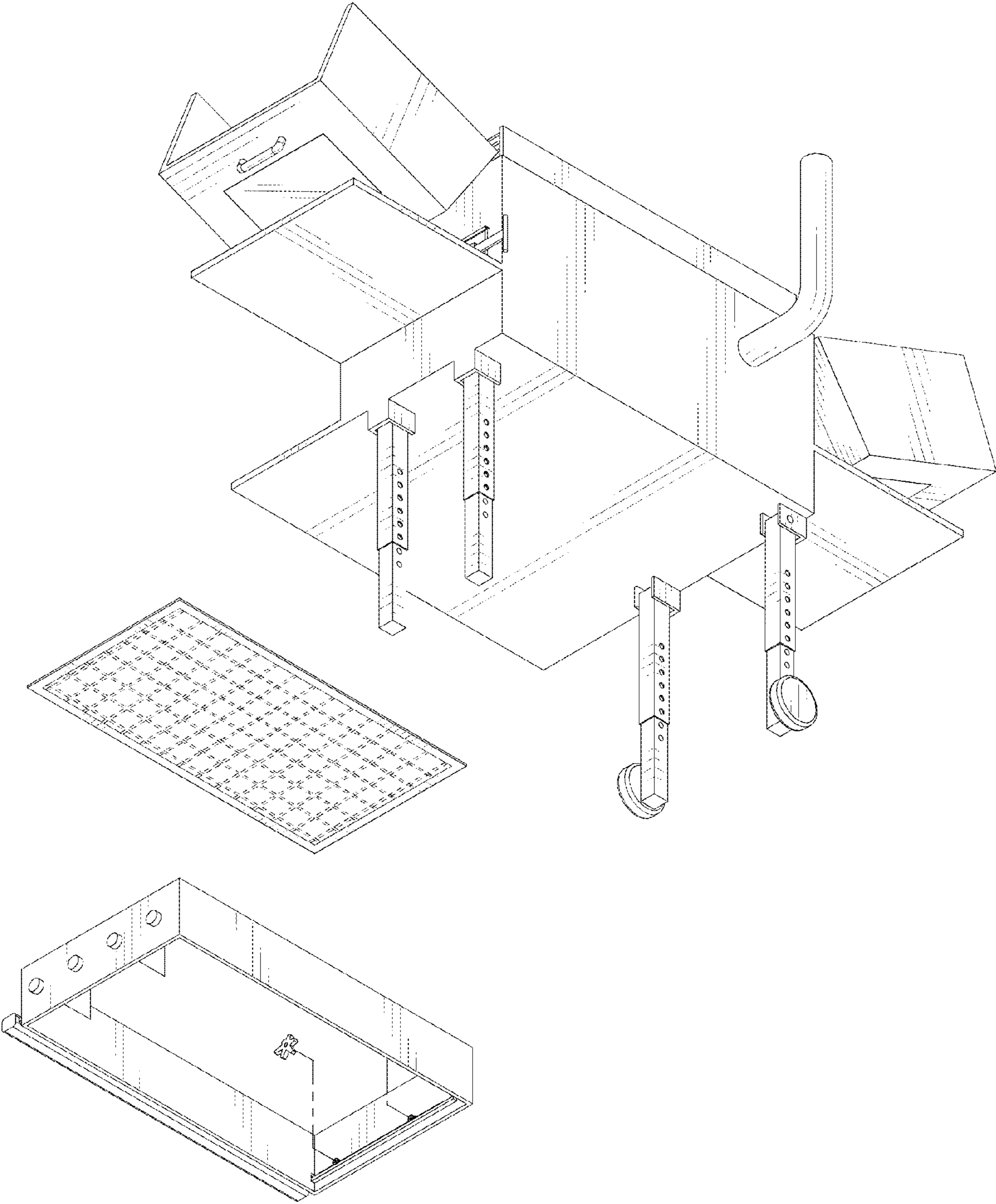


FIG. 10